



US00D539626S

(12) **United States Design Patent**
Roberts

(10) **Patent No.:** **US D539,626 S**

(45) **Date of Patent:** **** Apr. 3, 2007**

(54) **POWERED CIRCULAR SAW**

(75) Inventor: **Nigel Roberts**, Bedale (GB)

(73) Assignee: **GMCA Pty Limited** (AU)

(**) Term: **14 Years**

(21) Appl. No.: **29/246,928**

(22) Filed: **May 22, 2006**

(30) **Foreign Application Priority Data**

Nov. 24, 2005 (EM) 000439757

(51) **LOC (8) Cl.** **08-03**

(52) **U.S. Cl.** **D8/66**

(58) **Field of Classification Search** D8/69,
D8/68, 67, 66, 64, 61, 70; 83/698.41, 747;
30/166.3, 374, 373, 375, 376, 391, 377, 390,
30/388, 389; 125/13.01; 144/218
See application file for complete search history.

(56) **References Cited**

U.S. PATENT DOCUMENTS

5,010,651	A	*	4/1991	Techter et al.	303/76
D329,363	S	*	9/1992	Sasaki et al.	D8/66
5,911,482	A	*	6/1999	Campbell et al.	30/390
D453,099	S	*	1/2002	Welsh	D8/66
D460,672	S	*	7/2002	Pretzell	D8/66
D466,385	S	*	12/2002	Shigo et al.	D8/66
D474,952	S	*	5/2003	Andriolo	D8/66
D475,266	S	*	6/2003	Sakai et al.	D8/66

6,612,038	B2	*	9/2003	Onose et al.	30/391
D488,977	S	*	4/2004	Evans	D8/66
D500,438	S	*	1/2005	Andriolo	D8/66
D501,776	S	*	2/2005	Wu	D8/66
D501,777	S	*	2/2005	Wu	D8/66
D502,074	S	*	2/2005	Sham et al.	D8/66
D502,373	S	*	3/2005	Wu	D8/66
D503,878	S	*	4/2005	Tillman et al.	D8/66
D522,336	S	*	6/2006	Waldron	D8/66
2003/0131484	A1	*	7/2003	Yoshida et al.	30/376
2004/0107584	A1	*	6/2004	Yoshida et al.	30/391

* cited by examiner

Primary Examiner—Cathron C. Brooks

Assistant Examiner—Austin Murphy

(74) *Attorney, Agent, or Firm*—McKee, Voorhees & Sease, P.L.C.

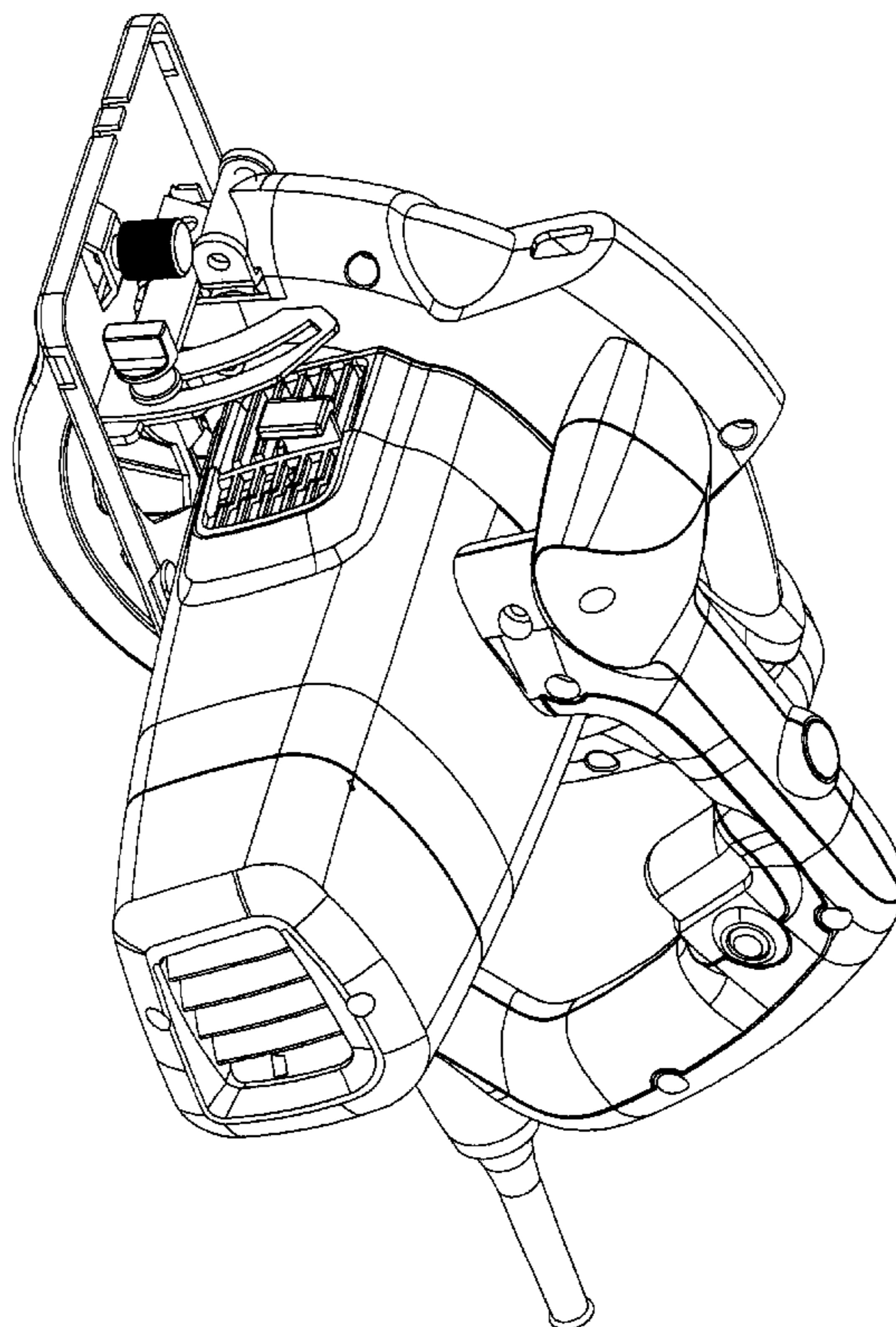
(57) **CLAIM**

I claim the ornamental design for a powered circular saw, substantially as shown.

DESCRIPTION

FIG. 1 is a perspective view of the powered circular saw.
FIG. 2 is a side view of the powered circular saw.
FIG. 3 is a rear view of the powered circular saw.
FIG. 4 is a front view of the powered circular saw.
FIG. 5 is an opposite side view of the powered circular saw.
FIG. 6 is a top view of the powered circular saw; and,
FIG. 7 is a bottom view of the powered circular saw.

1 Claim, 7 Drawing Sheets



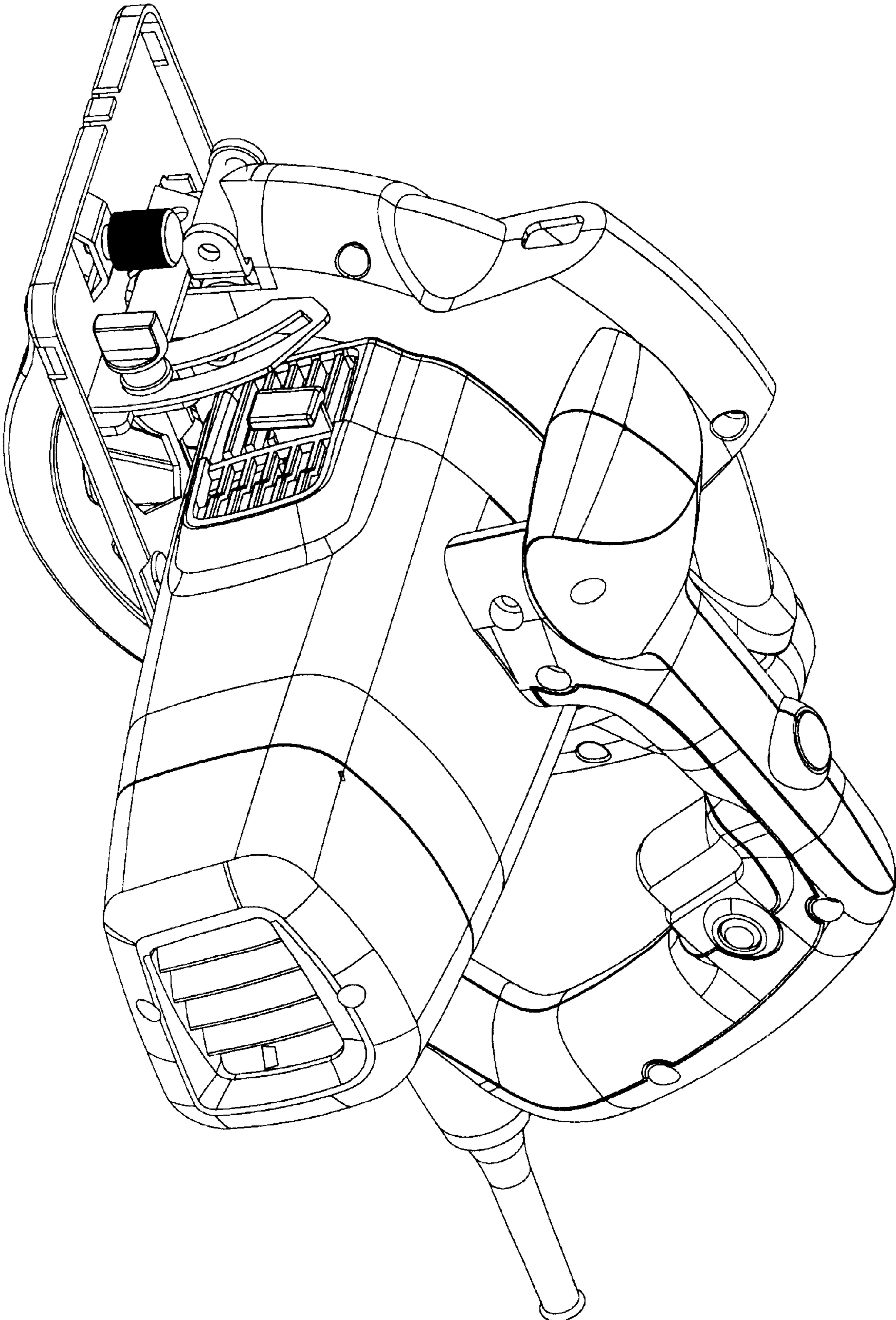


FIGURE 1

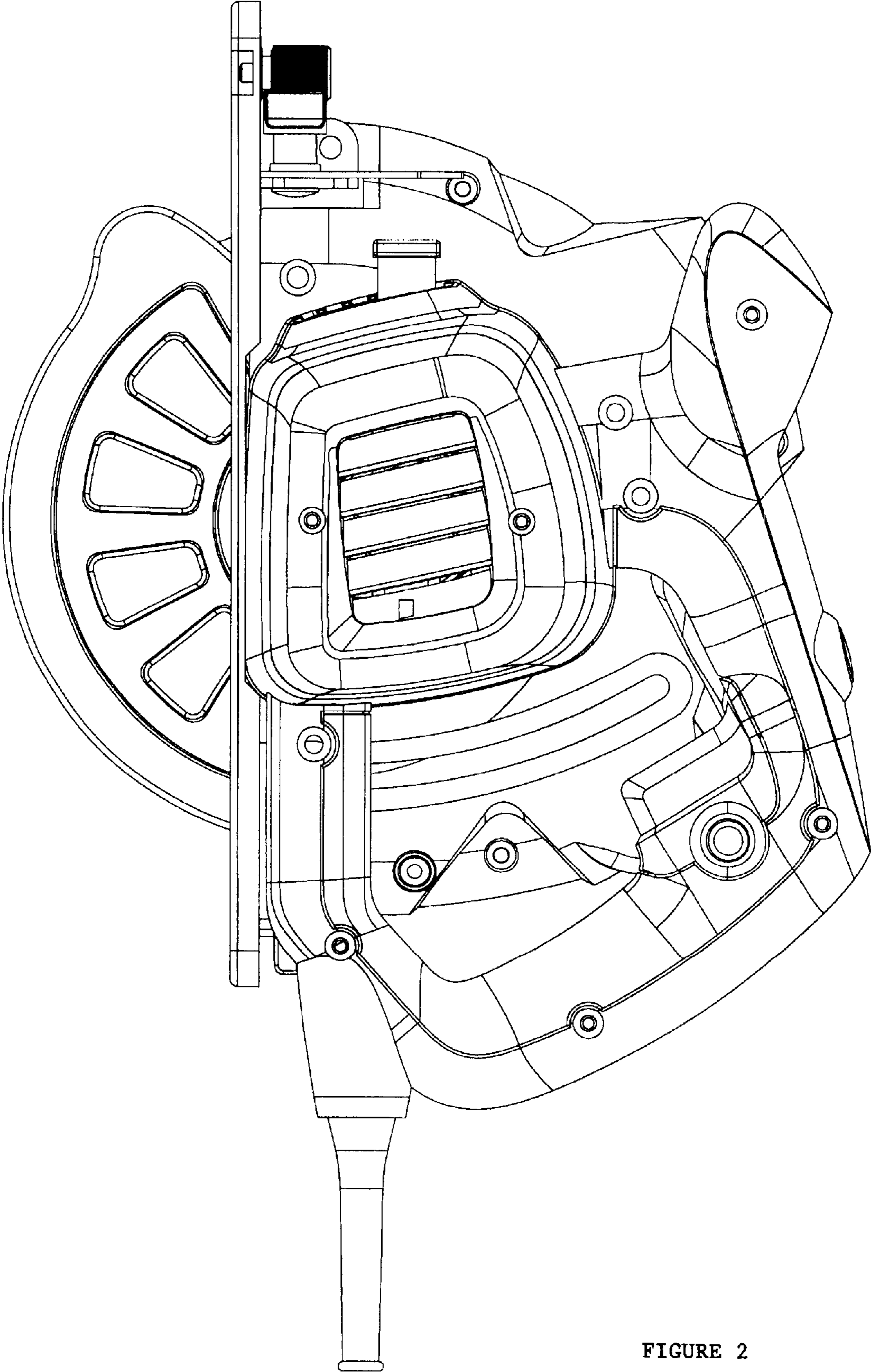


FIGURE 2

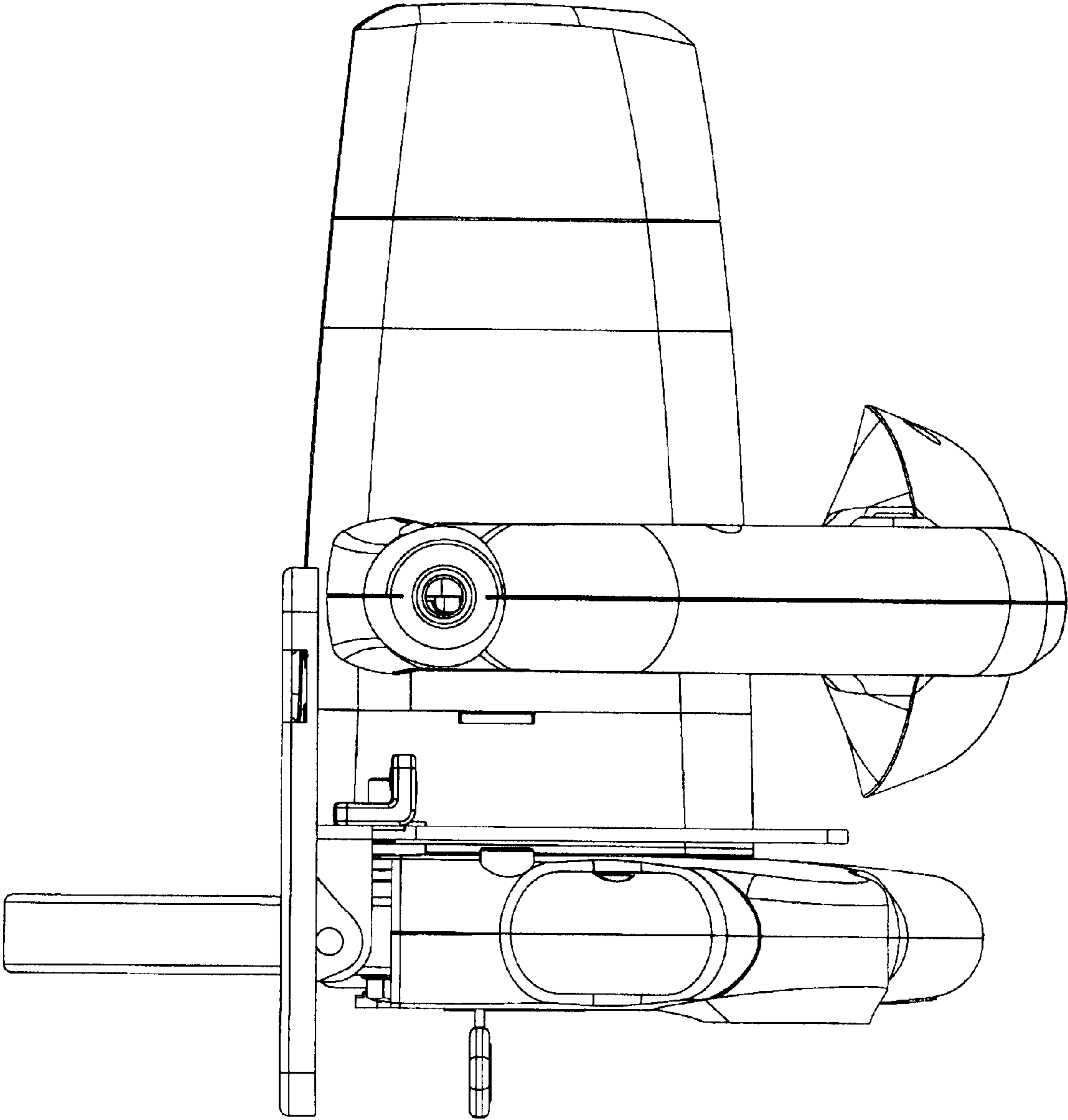


FIGURE 3

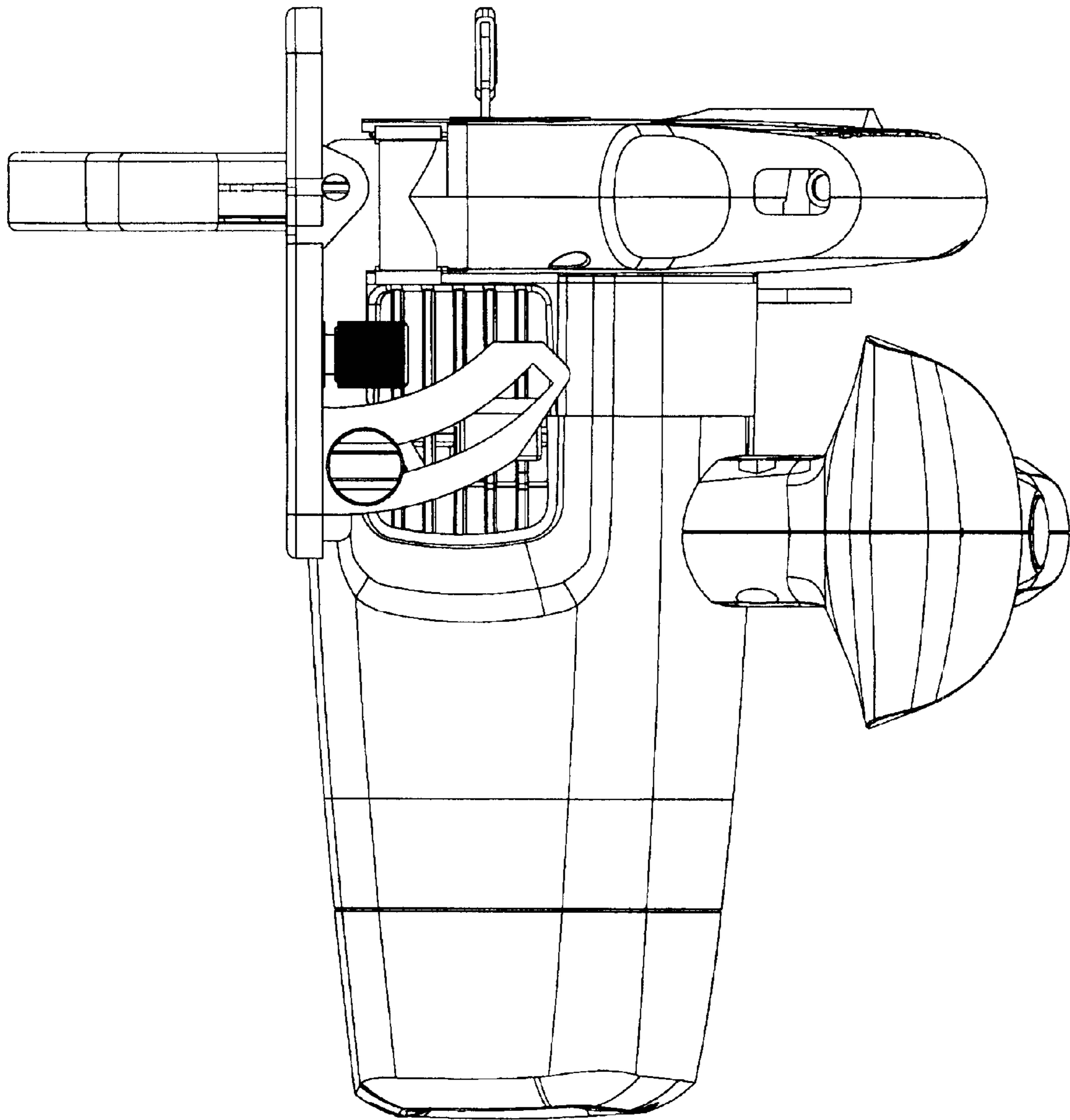


FIGURE 4

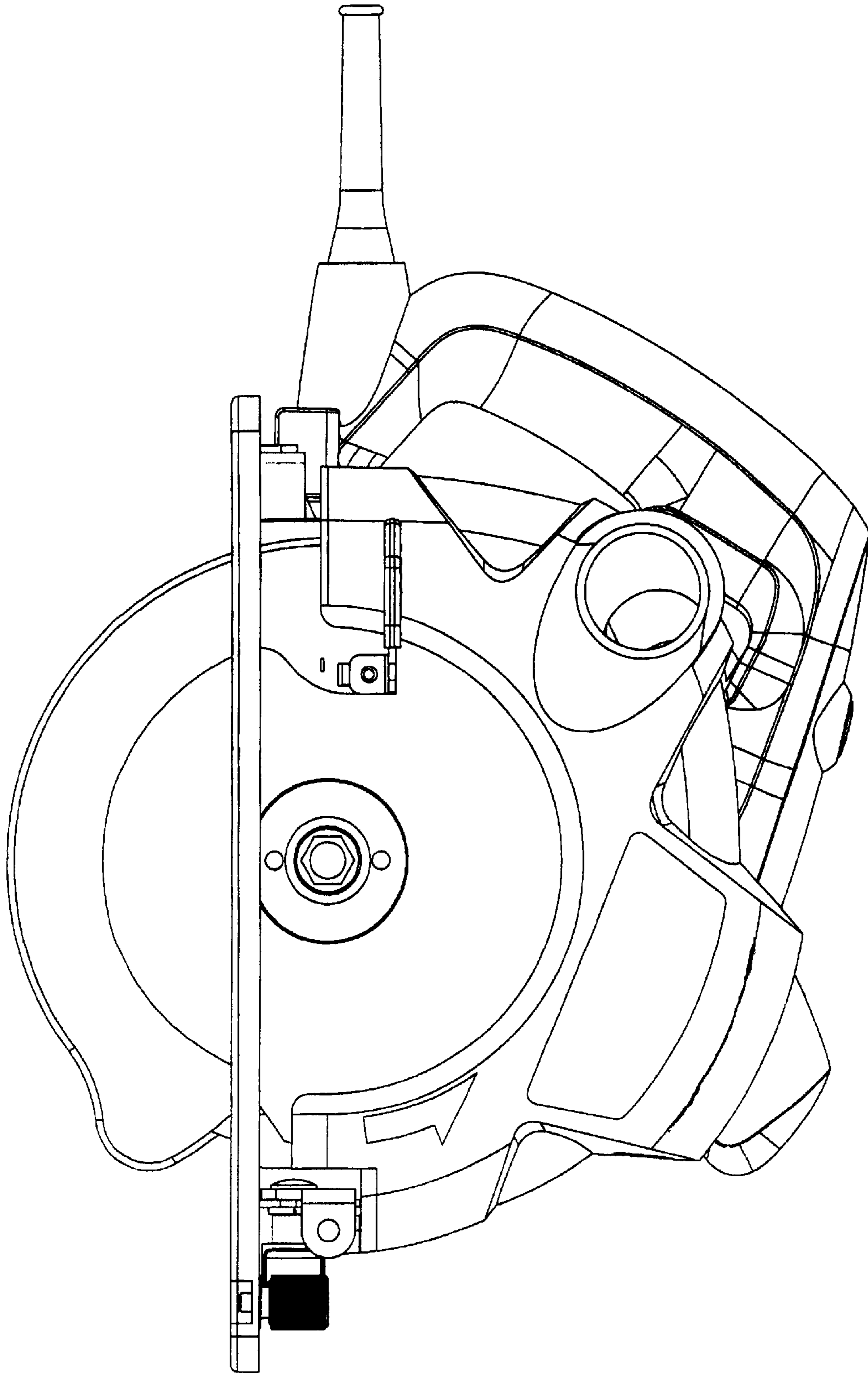


FIGURE 5

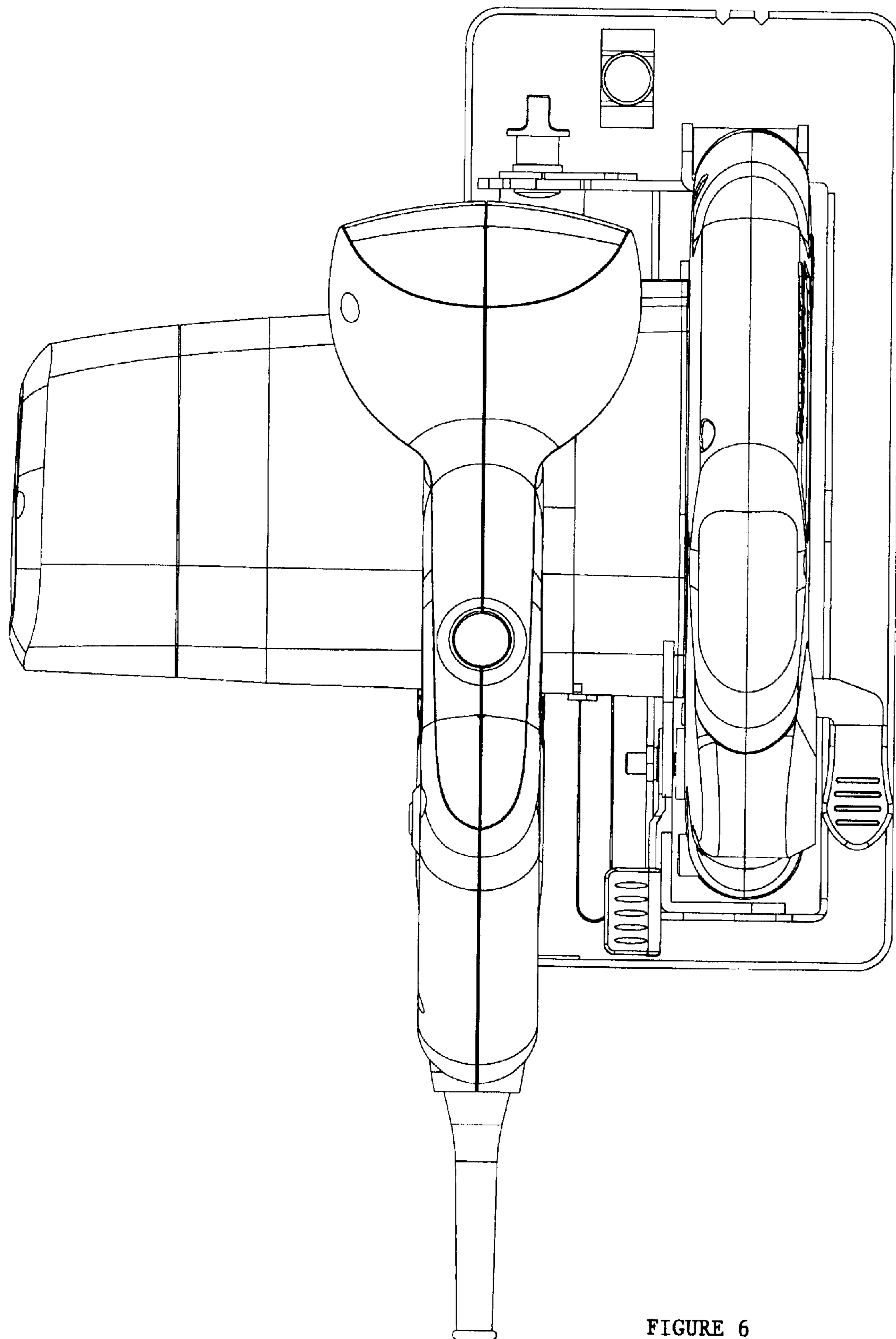


FIGURE 6

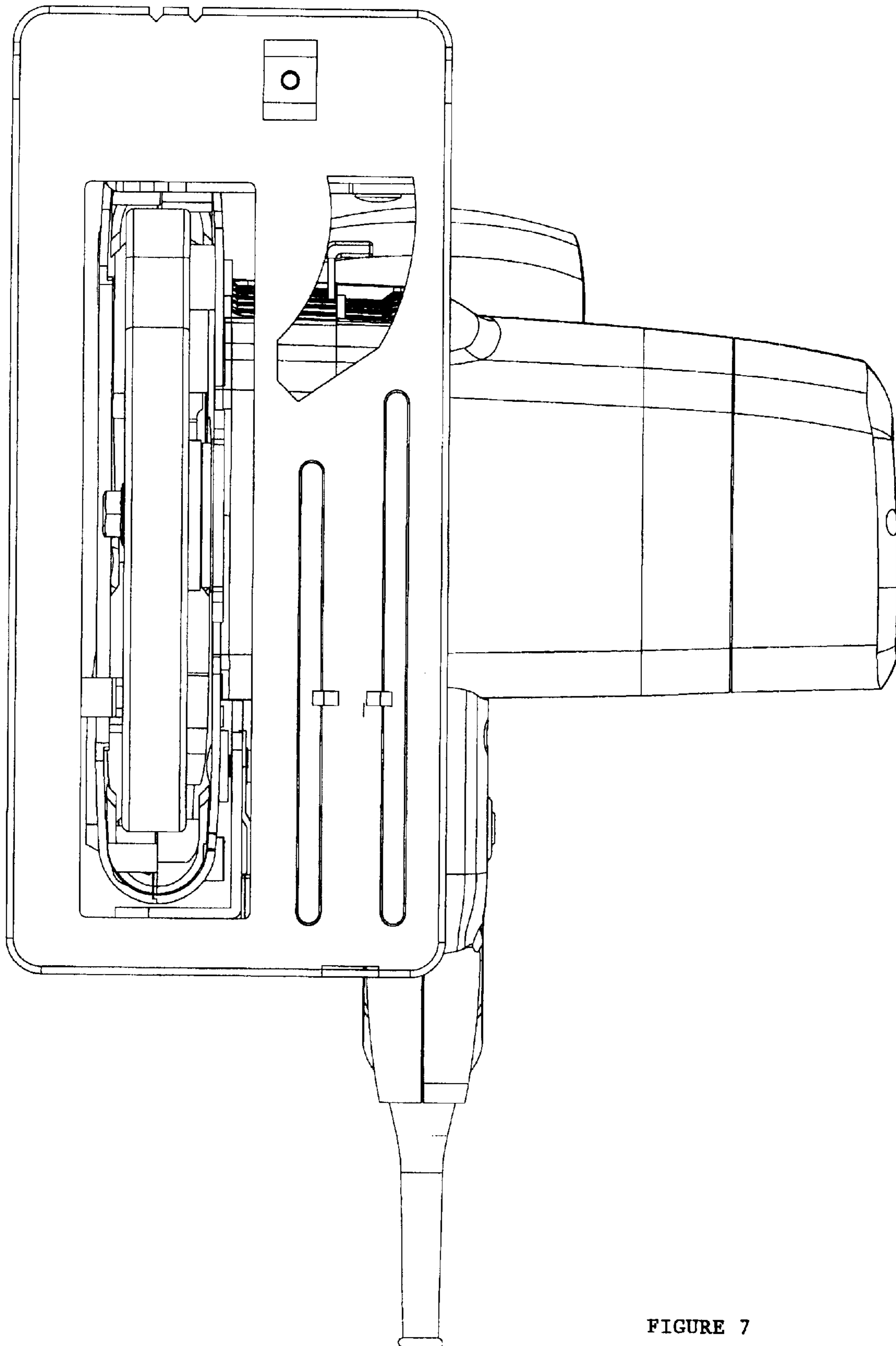


FIGURE 7