

US00D539625S

(12) **United States Design Patent** (10) **Patent No.:** **US D539,625 S**
Waldron (45) **Date of Patent:** **** Apr. 3, 2007**

(54) **POWERED JIGSAW**
 (75) Inventor: **Michael Waldron**, Pocklington (GB)
 (73) Assignee: **GMCA Pty Ltd.**, Victoria (AU)
 (**) Term: **14 Years**

D520,318 S * 5/2006 Waldron D8/64
 D523,311 S * 6/2006 Welsh et al. D8/64
 D525,844 S * 8/2006 Netzler D8/64
 D527,968 S * 9/2006 Netzler D8/64
 2003/0167641 A1 * 9/2003 Teng 30/337

* cited by examiner

(21) Appl. No.: **29/244,541**
 (22) Filed: **Dec. 9, 2005**
 (30) **Foreign Application Priority Data**

Nov. 18, 2005 (EP) 000435482

(51) **LOC (8) Cl.** **08-03**
 (52) **U.S. Cl.** **D8/64**
 (58) **Field of Classification Search** D8/69,
 D8/68, 67, 66, 64, 61; 83/747, 699.21; 310/50;
 30/394, 393, 392, 391, 390, 377, 376; 173/217,
 173/216

See application file for complete search history.

(56) **References Cited**

U.S. PATENT DOCUMENTS

5,819,421 A * 10/1998 Giacometti et al. 30/392
 D404,274 S * 1/1999 Ogasawara et al. D8/64
 D463,963 S * 10/2002 Metaxatos et al. D8/64
 D475,264 S * 6/2003 Kondo et al. D8/64
 D476,871 S * 7/2003 Santarsiero et al. D8/64
 D484,381 S * 12/2003 Yamada et al. D8/64
 D486,711 S * 2/2004 Tam et al. D8/64
 D519,804 S * 5/2006 Wu D8/64

Primary Examiner—Cathron C. Brooks
Assistant Examiner—Austin Murphy
 (74) *Attorney, Agent, or Firm*—Woodard, Emhardt,
 Moriarty, McNett & Henry LLP

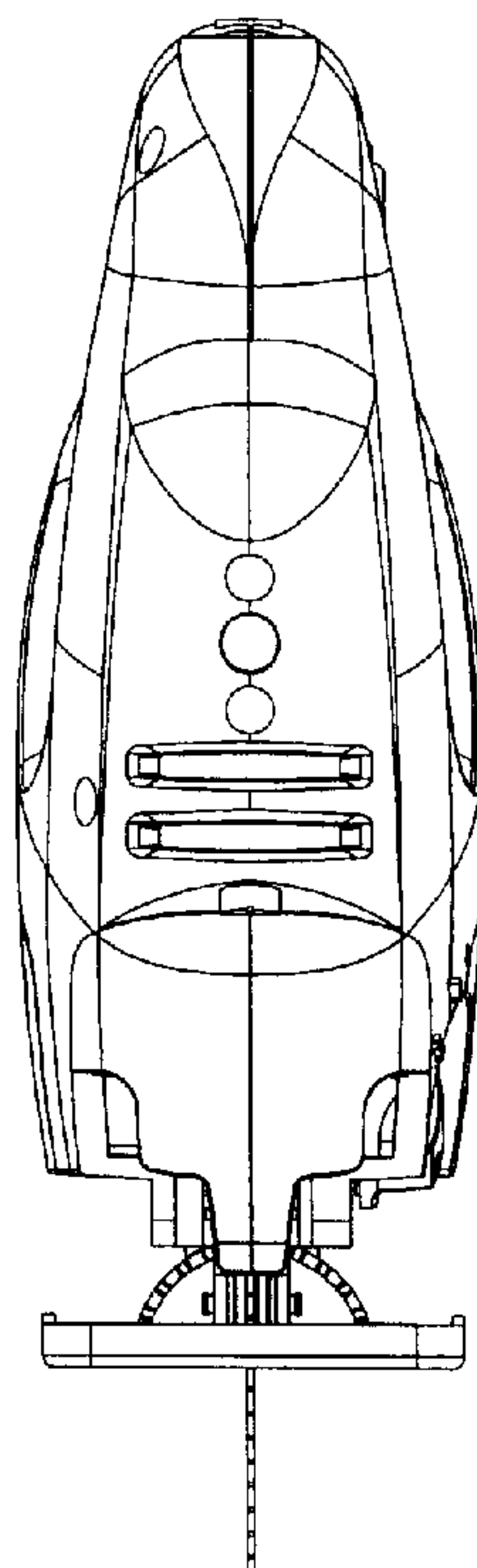
(57) **CLAIM**

The ornamental design for a powered jigsaw, as shown and described.

DESCRIPTION

FIG. 1 is a front view of the powered jigsaw incorporating my new design.
 FIG. 2 is a side view.
 FIG. 3 is a top view.
 FIG. 4 is a side view opposite of the side shown in FIG. 2.
 FIG. 5 is a rear view.
 FIG. 6 is a bottom view.
 FIG. 7 is a front top perspective view.
 FIG. 8 is a rear top perspective view.
 FIG. 9 is a top perspective view of the side opposite shown in FIG. 7; and,
 FIG. 10 is a top rear perspective view of the side opposite shown in FIG. 8.

1 Claim, 6 Drawing Sheets



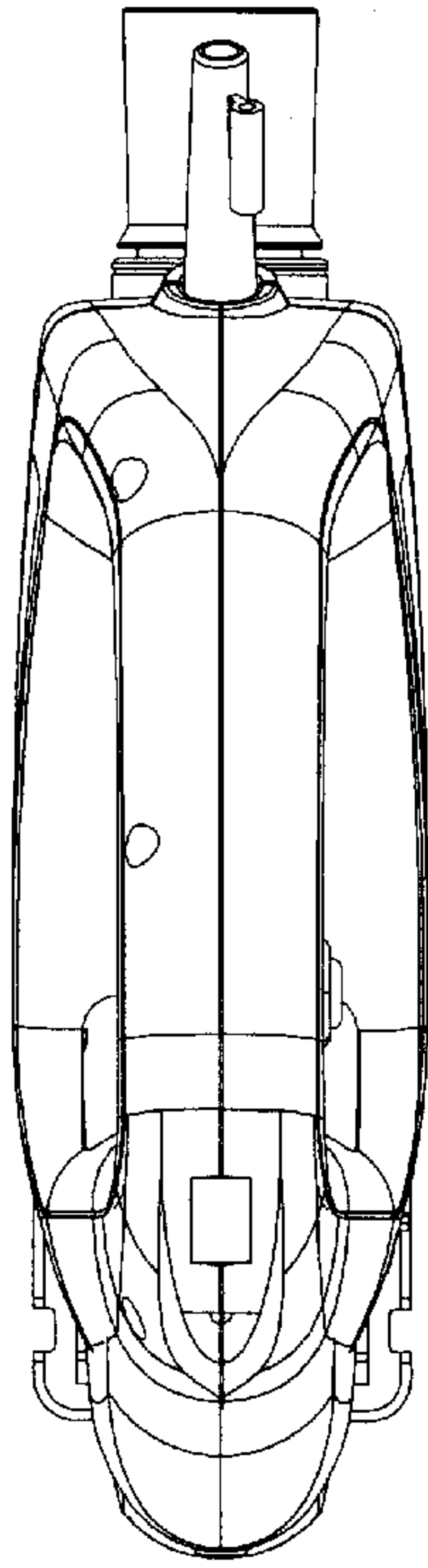


Fig. 3

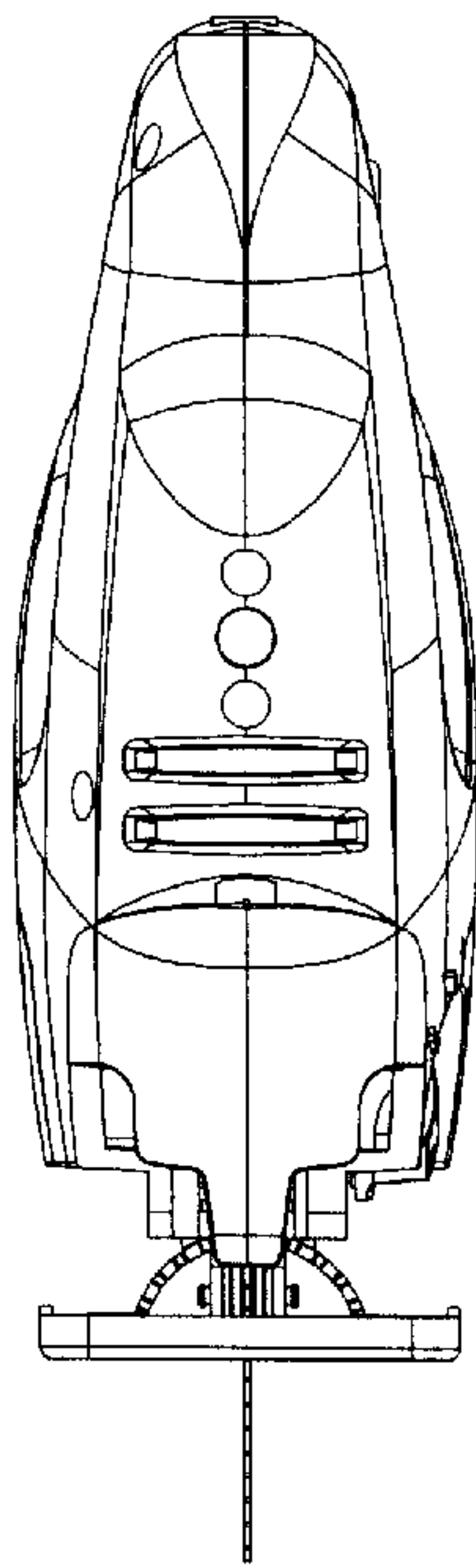


Fig. 1

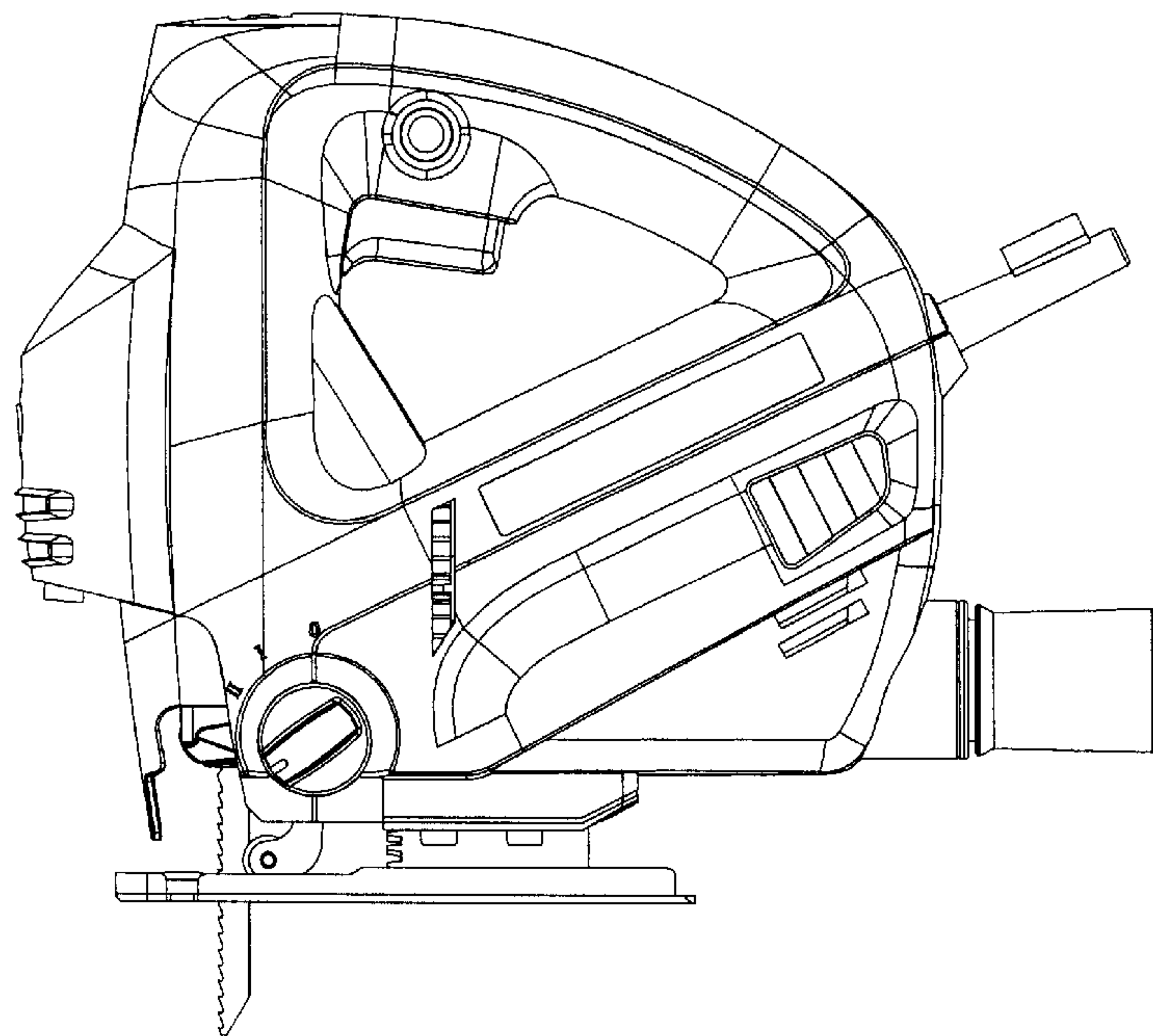


Fig. 2

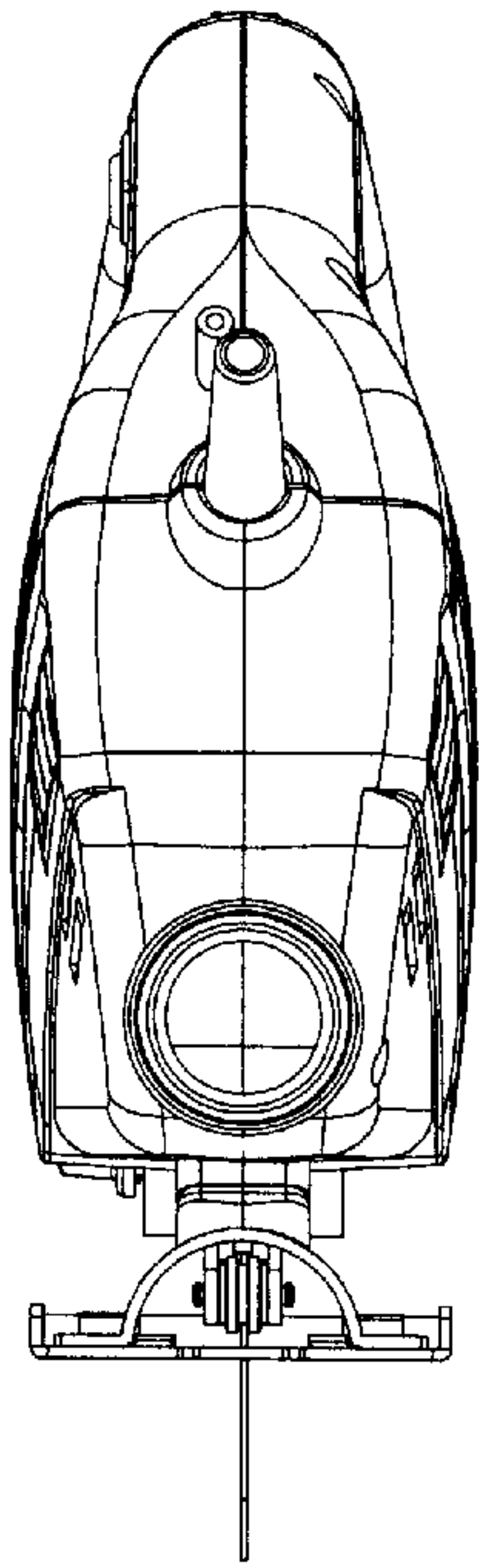


Fig. 5

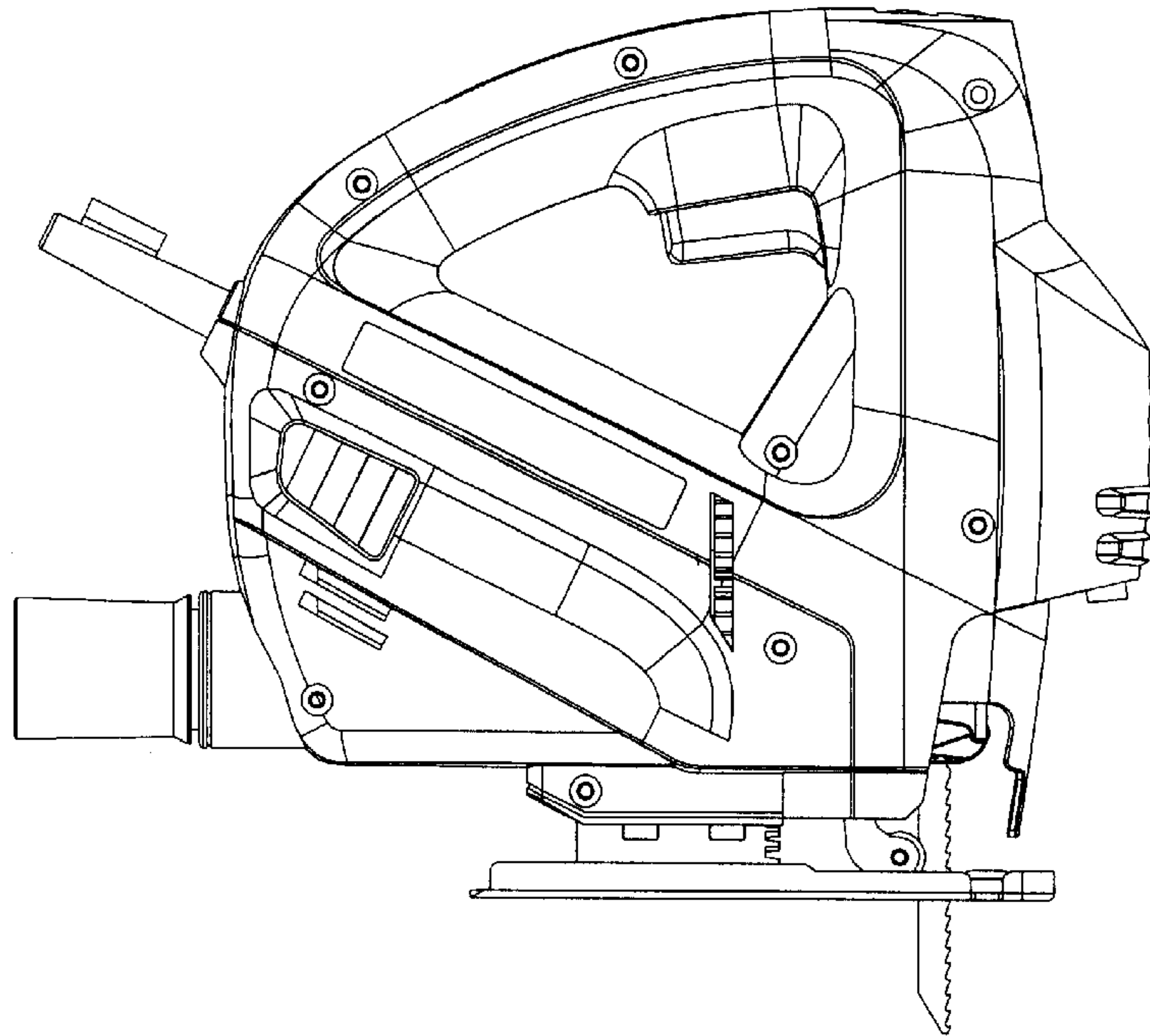


Fig. 4

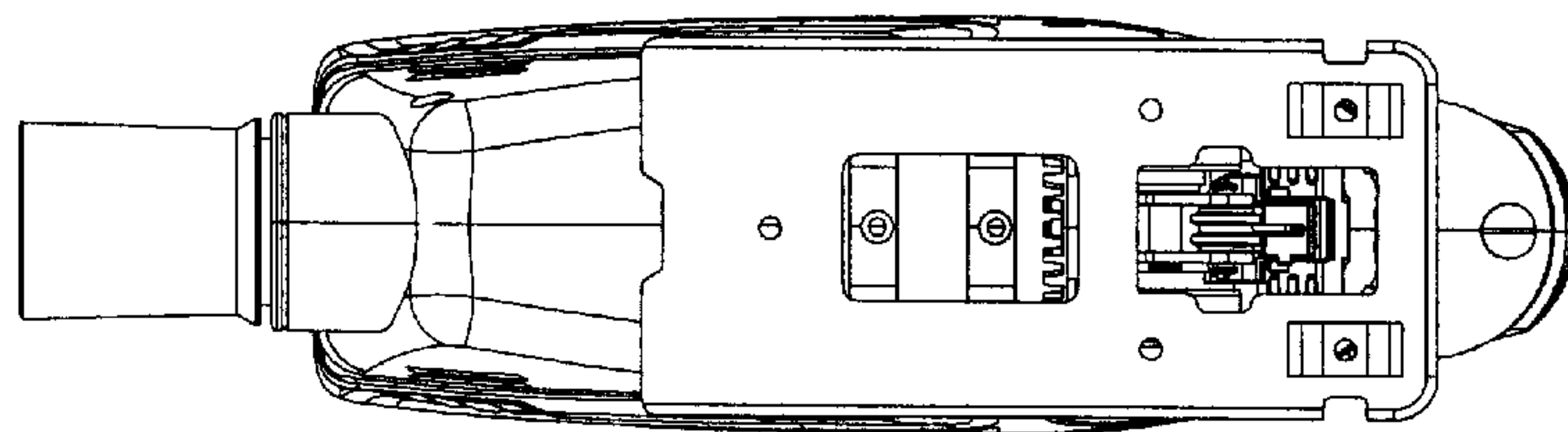


Fig. 6

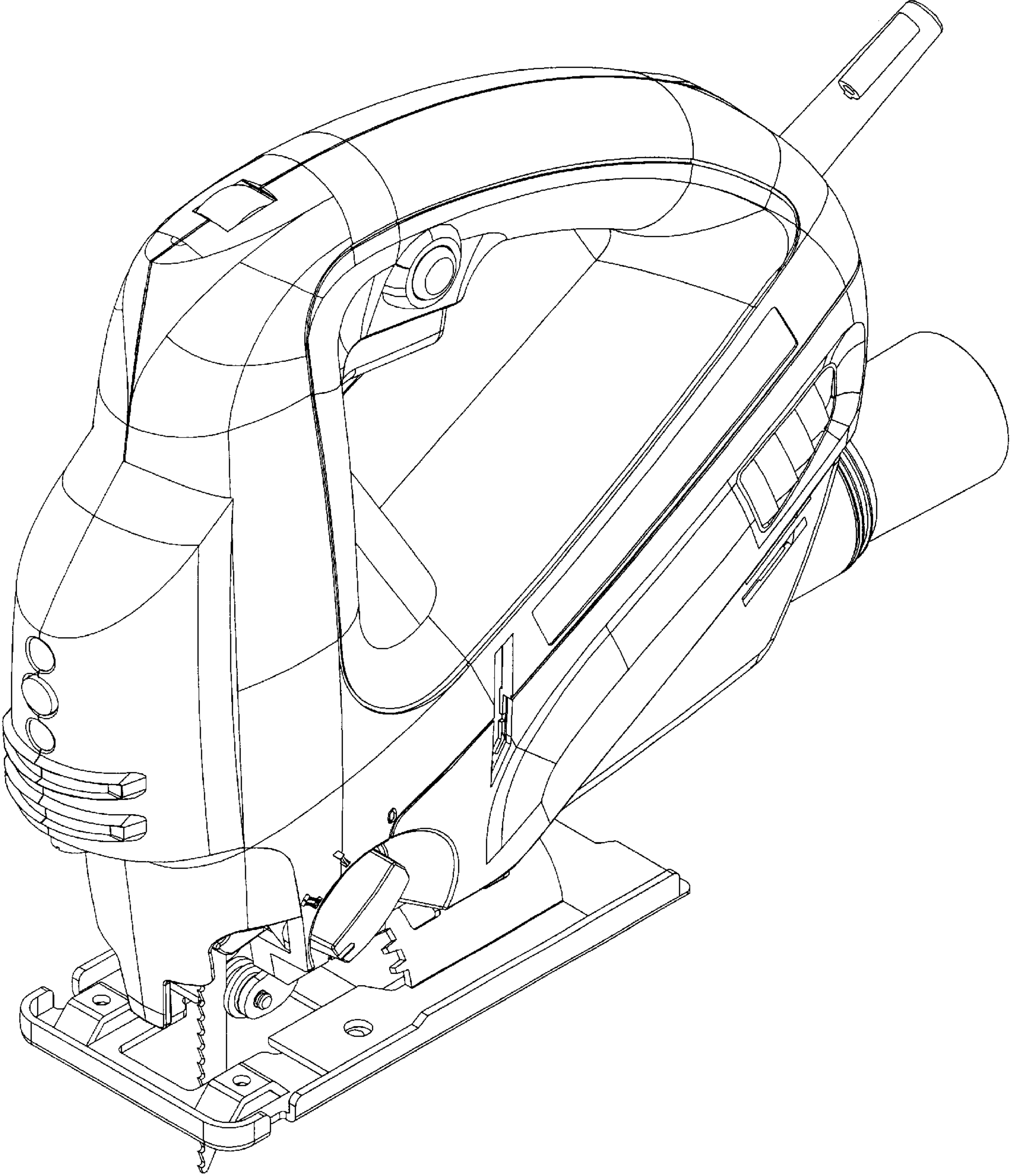


Fig. 7

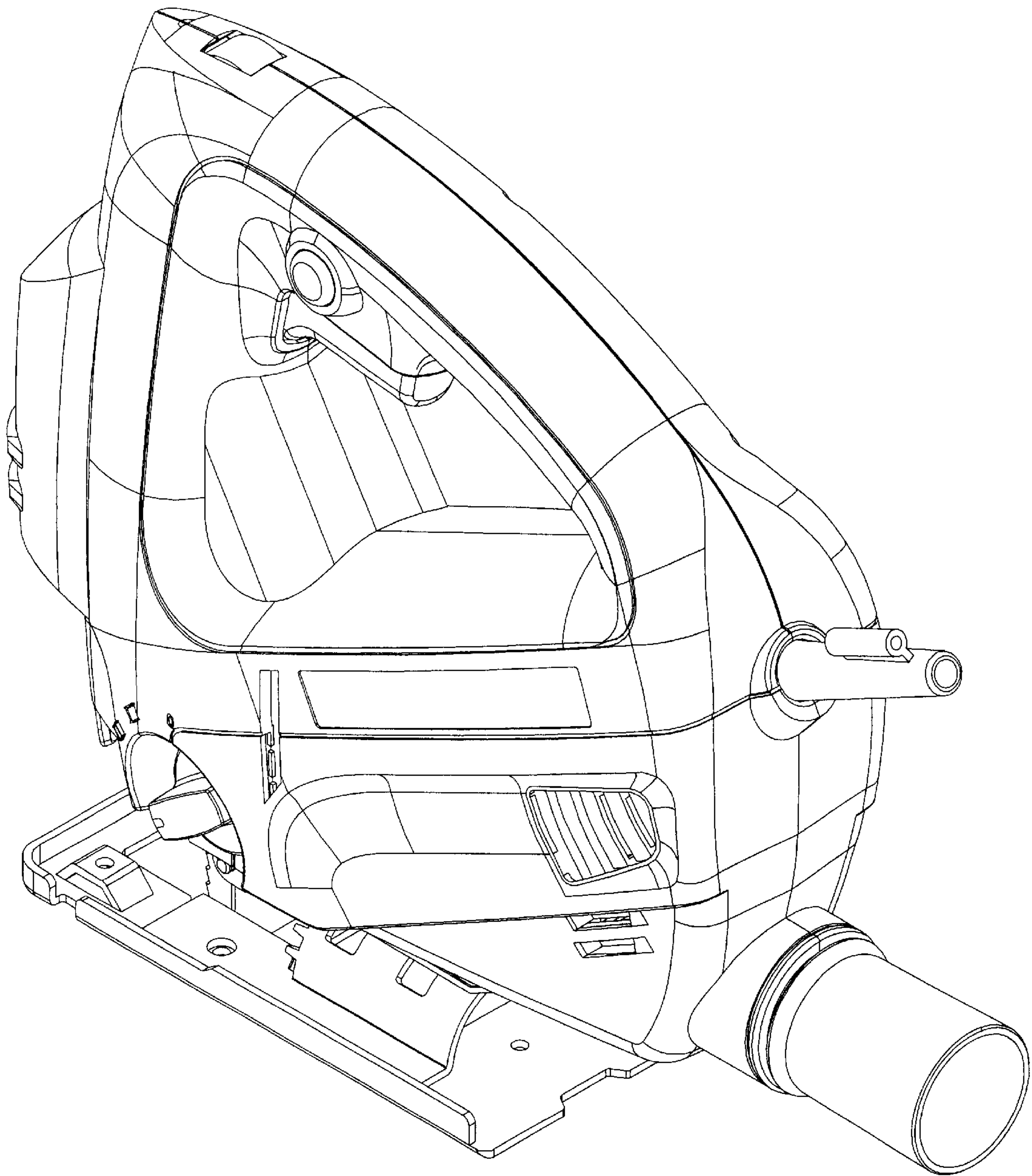


Fig. 8

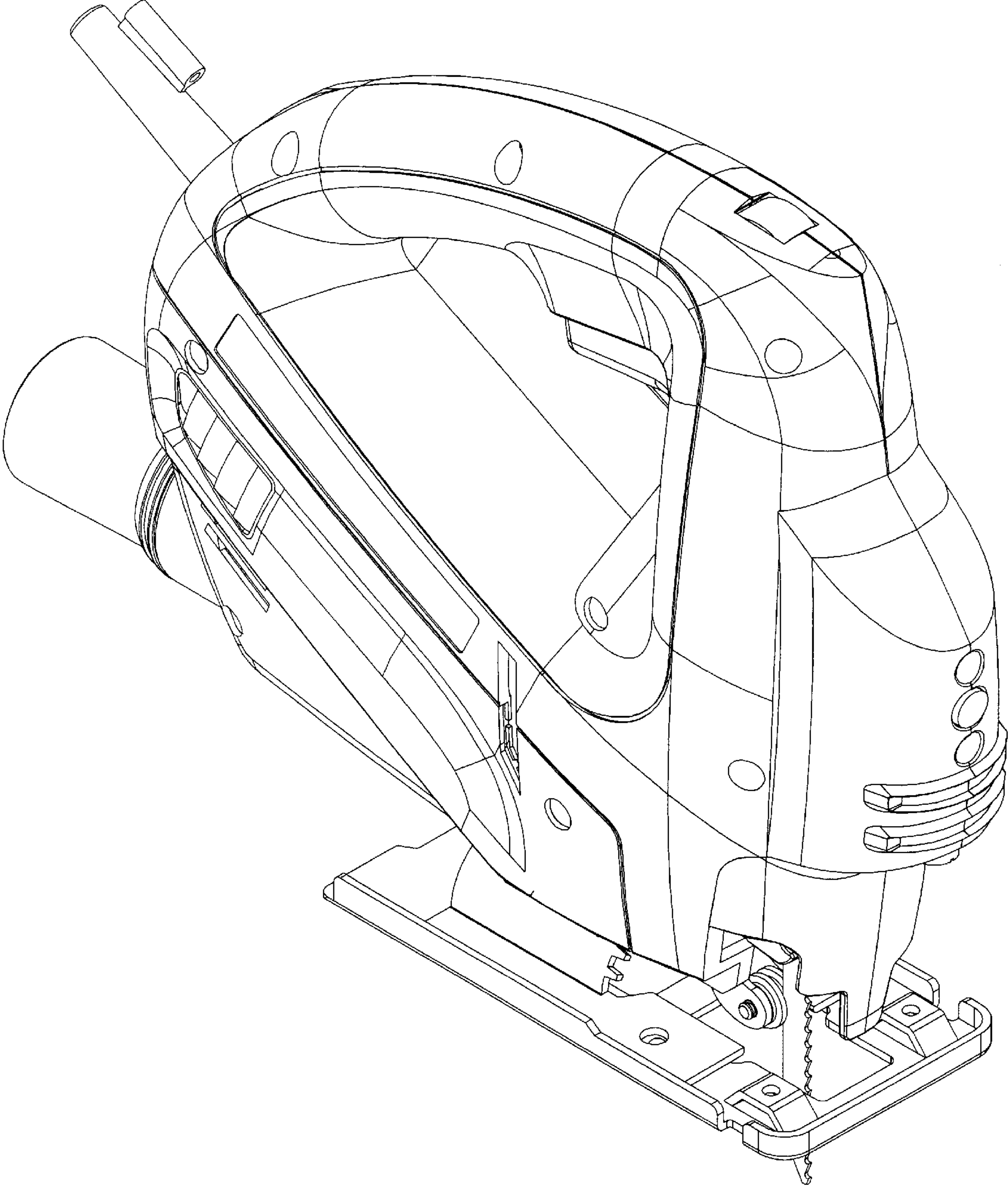


Fig. 9

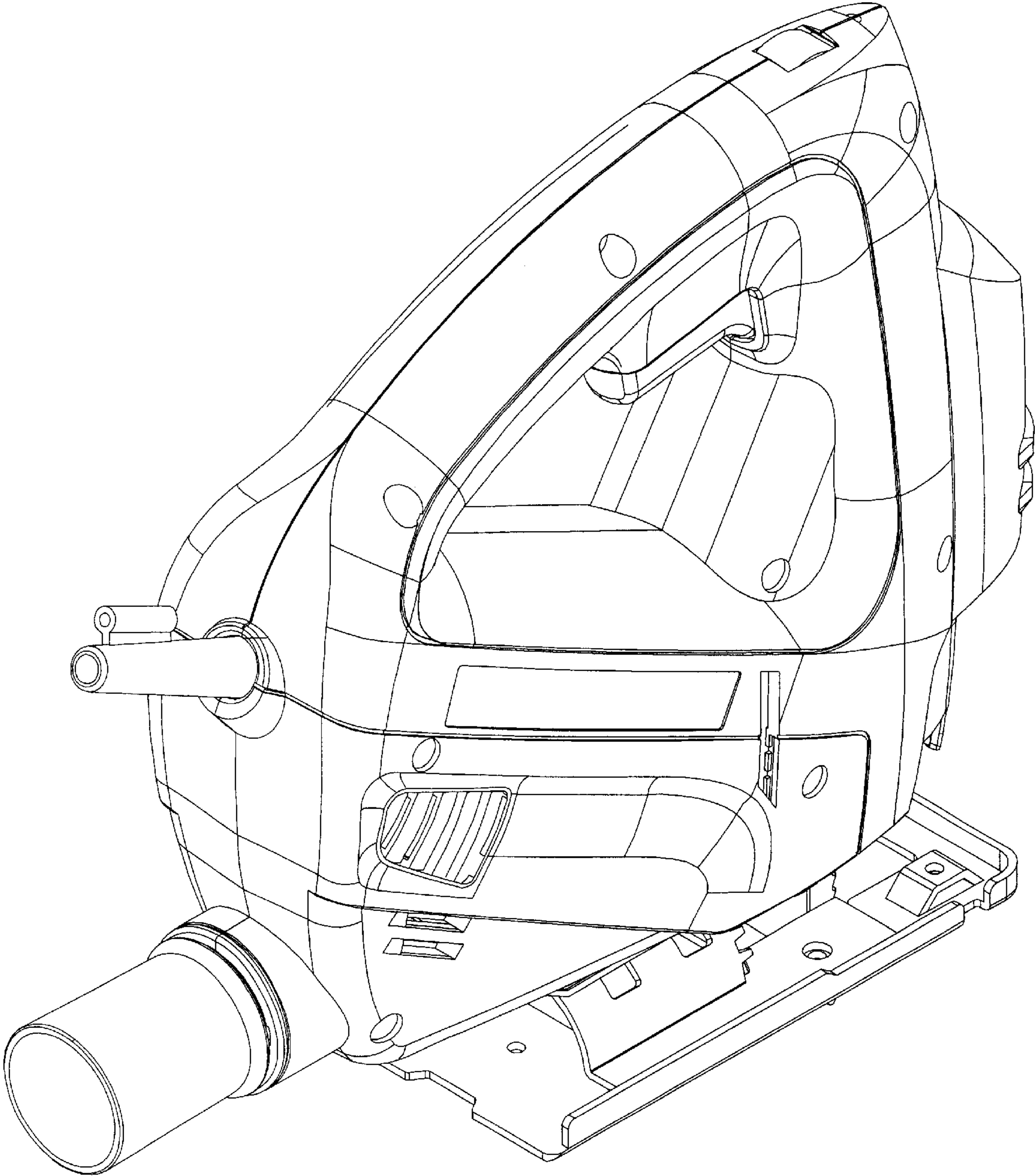


Fig. 10