



US00D539613S

(12) **United States Design Patent**  
**Goodman et al.**

(10) **Patent No.:** **US D539,613 S**

(45) **Date of Patent:** **\*\* Apr. 3, 2007**

(54) **NAPKIN HOLDER**

(75) Inventors: **Sheldon H. Goodman**, Solon, OH  
(US); **Kent W. Murphy**, Wooster, OH  
(US)

(73) Assignee: **Spectrum Diversified Designs, Inc.**,  
Streetsboro, OH (US)

(\*\*) Term: **14 Years**

(21) Appl. No.: **29/238,935**

(22) Filed: **Sep. 23, 2005**

(51) **LOC (8) Cl.** ..... **07-06**

(52) **U.S. Cl.** ..... **D7/631; D19/90**

(58) **Field of Classification Search** ..... D7/631,  
D7/632, 634, 704, 637; D19/65, 75, 77, 78,  
D19/85, 86, 90, 91; D6/474, 475, 462, 566,  
D6/567; 211/13.1, 45, 50, 181.1, 41.1-41.4,  
211/46

See application file for complete search history.

(56) **References Cited**

**U.S. PATENT DOCUMENTS**

470,050 A \* 3/1892 Jewell ..... 211/46

4,298,126 A \* 11/1981 Filipowicz ..... 211/50  
D421,062 S \* 2/2000 Goodman et al. .... D19/90  
D421,273 S \* 2/2000 Goodman et al. .... D19/90

\* cited by examiner

*Primary Examiner*—Terry A. Wallace

(74) *Attorney, Agent, or Firm*—Pearne & Gordon LLP

(57) **CLAIM**

The ornamental design for a napkin holder, as shown and described.

**DESCRIPTION**

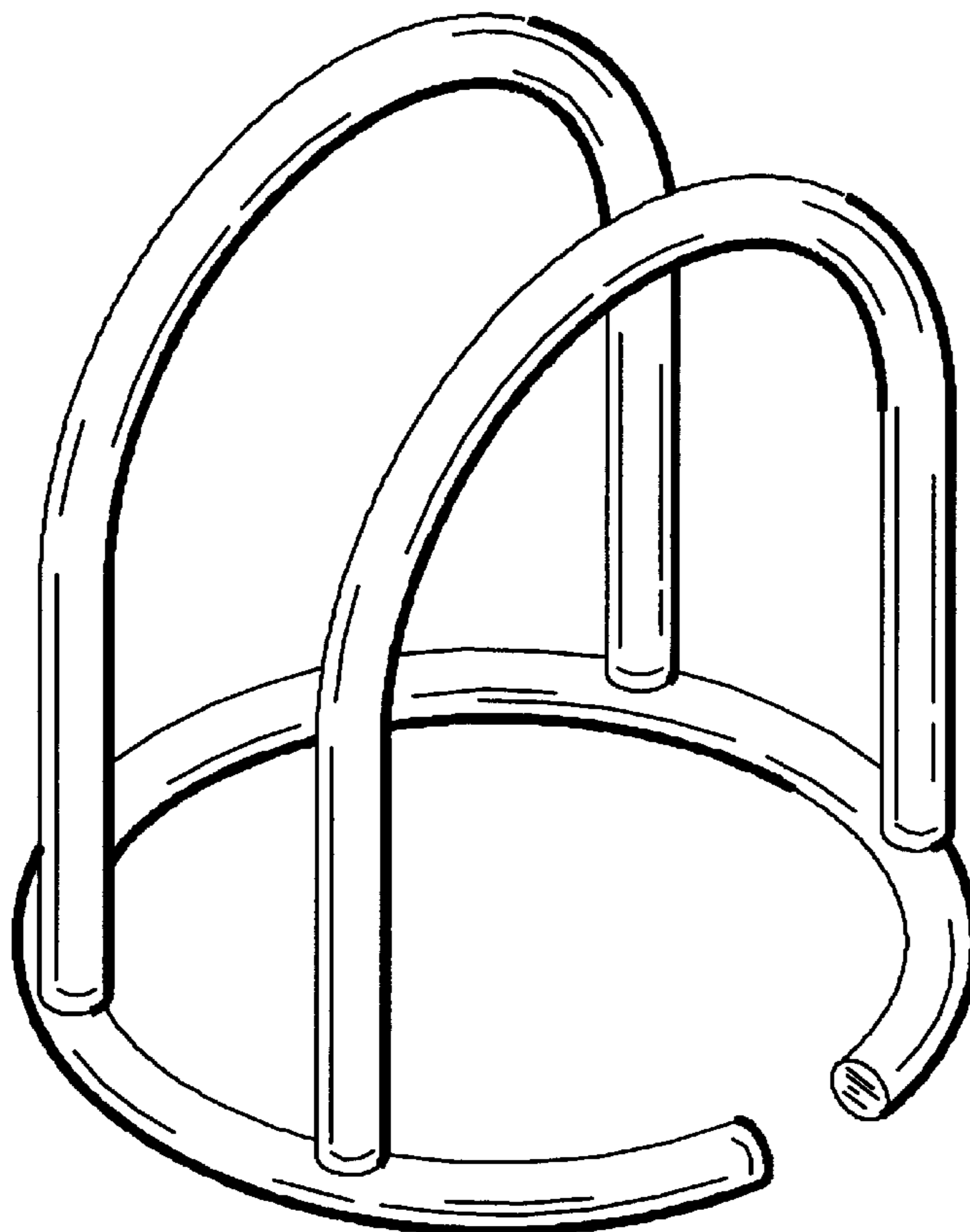
FIG. 1 is a perspective view of a napkin holder showing our new design;

FIG. 2 is a side elevational view thereof;

FIG. 3 is a front elevational view thereof; and,

FIG. 4 is a top plan view thereof.

**1 Claim, 2 Drawing Sheets**



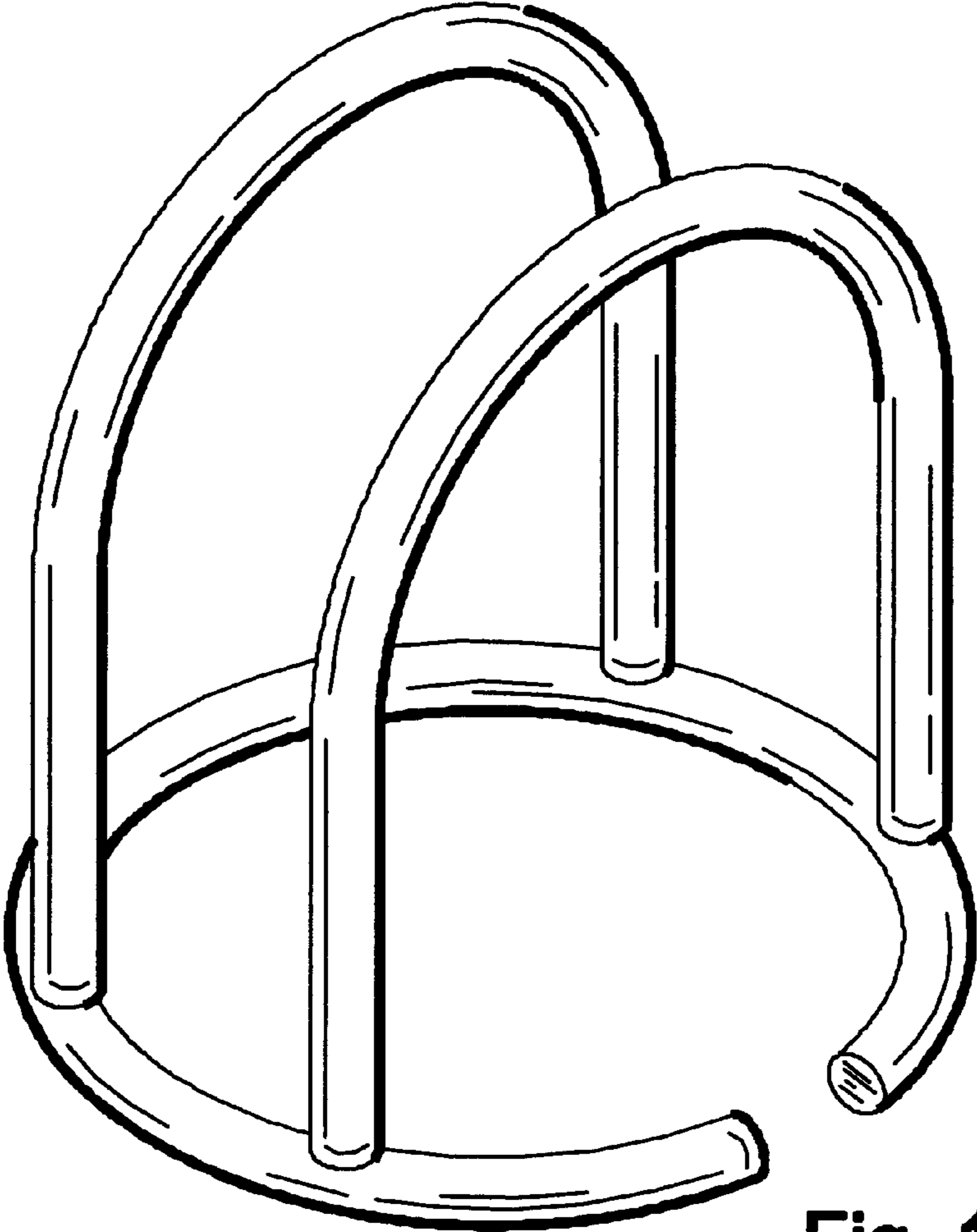


Fig. 1

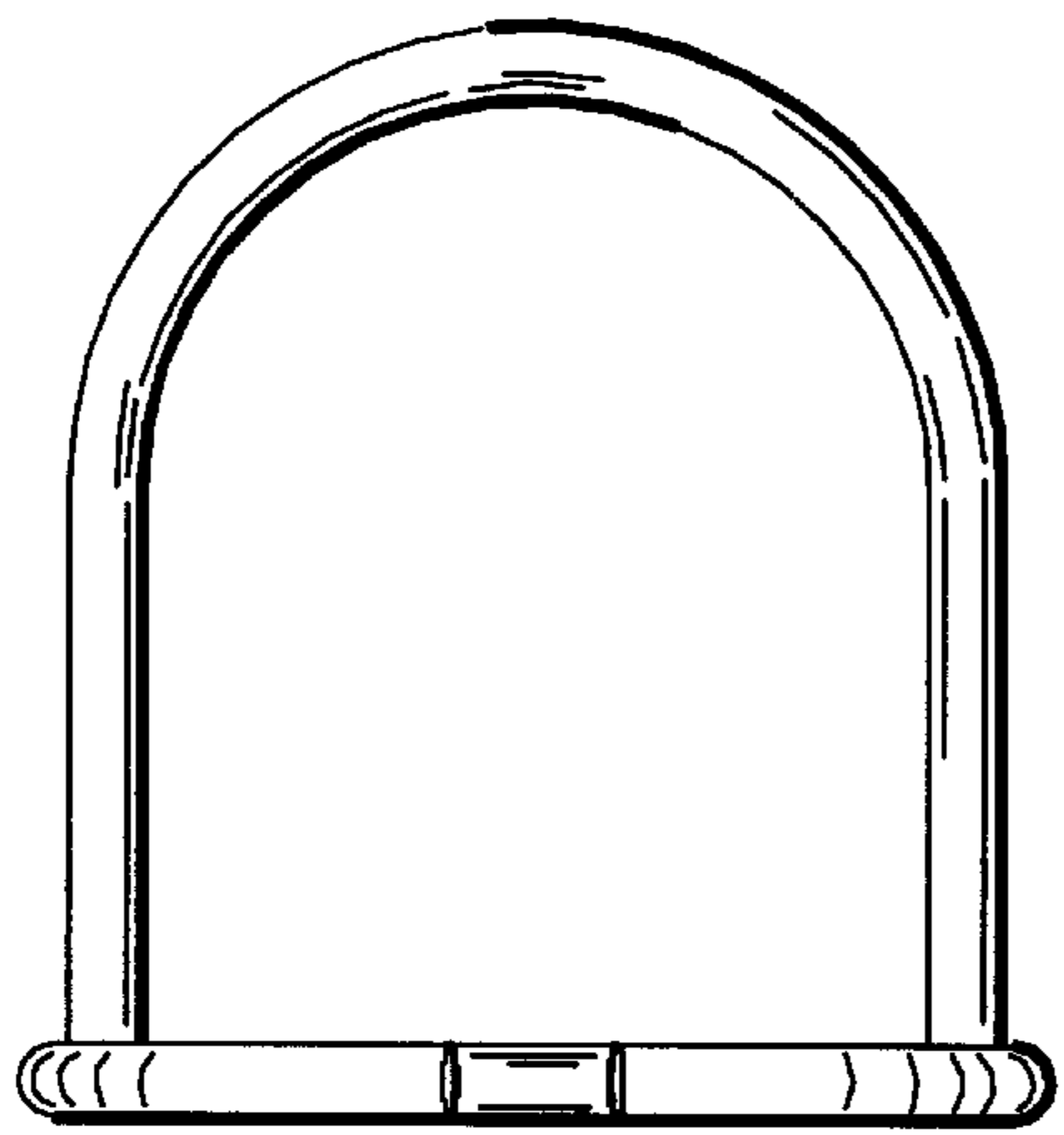


Fig. 2

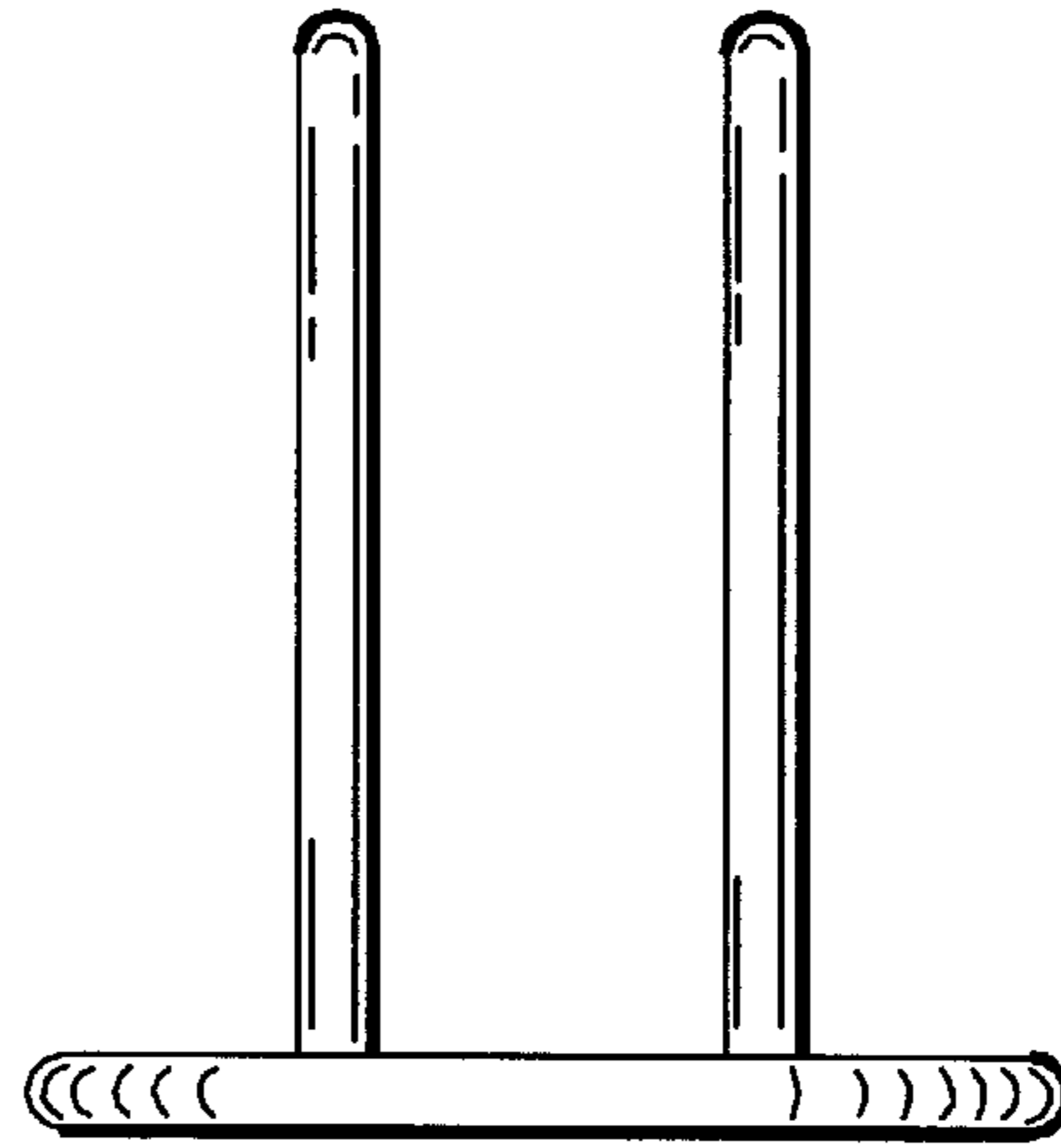


Fig. 3

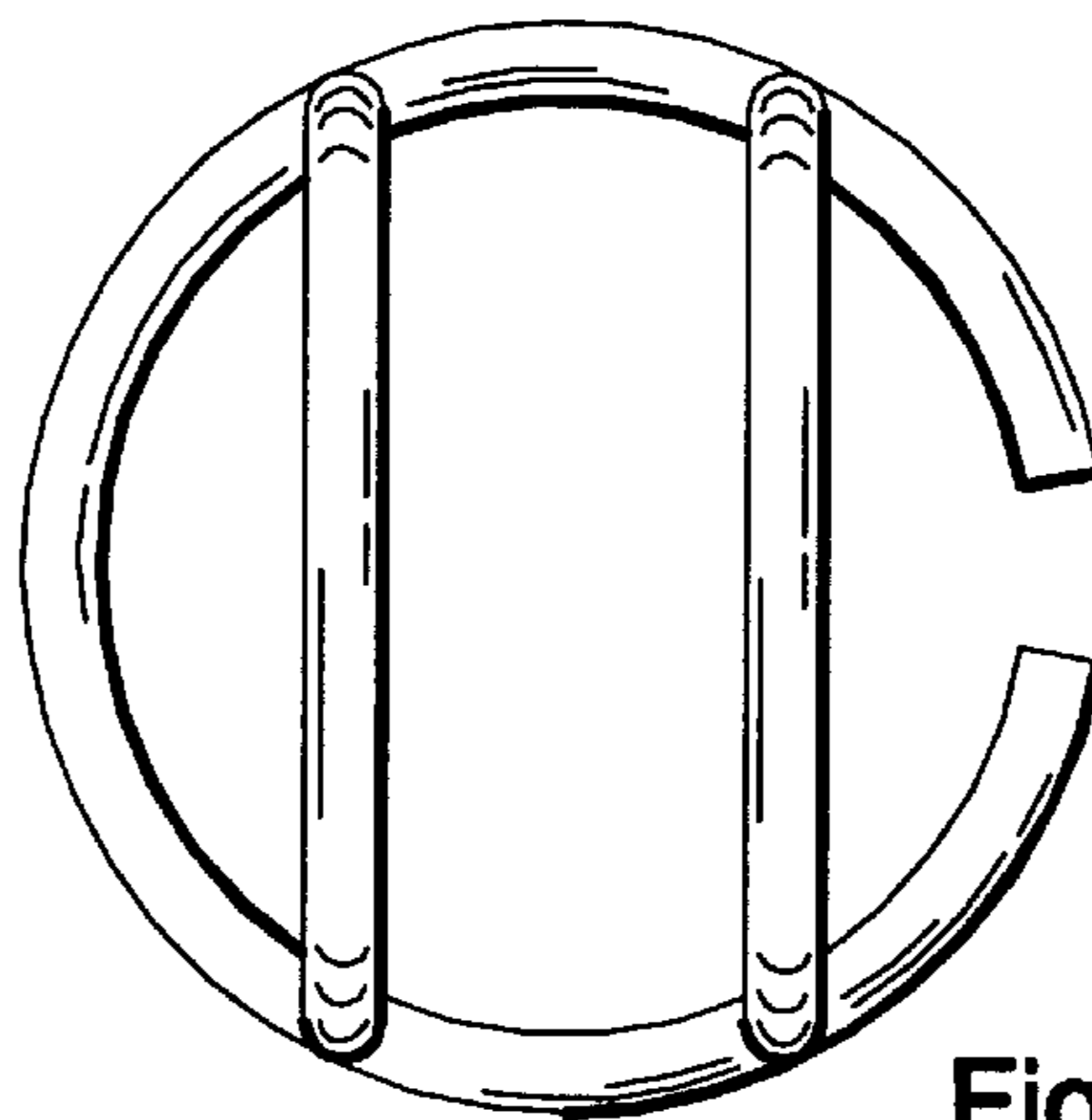


Fig. 4