



US00D539611S

(12) **United States Design Patent** (10) **Patent No.:** **US D539,611 S**
Wasserman et al. (45) **Date of Patent:** **** Apr. 3, 2007**

(54) **DOUBLE WALLED METALLIC BOWL**
(75) Inventors: **David M. Wasserman**, Whitefish Bay, WI (US); **Rebecca J. Schreiber-Pethan**, Sheboygan, WI (US)

(73) Assignee: **The Vollrath Company, L.L.C.**, Sheboygan, WI (US)

(**) Term: **14 Years**

(21) Appl. No.: **29/240,268**

(22) Filed: **Oct. 11, 2005**

(51) **LOC (8) Cl.** **07-01**

(52) **U.S. Cl.** **D7/586**

(58) **Field of Classification Search** D7/586,
D7/584, 503, 509, 523, 566, 312, 316, 376,
D7/397, 558, 565, 300.1, 585, 630, 396.2,
D7/545, 611, 543, 505, 542, 602, 701, 356;
D9/772, 432; D11/152, 154; 220/574, 212,
220/23.83, 657, 659, 755, 771, 904; 222/143,
222/465.1; 206/821, 822; D24/220, 227,
D24/230, 121

See application file for complete search history.

(56) **References Cited**

U.S. PATENT DOCUMENTS

184,814 A	11/1876	Adam	
1,093,648 A	4/1914	Potter	
D50,194 S	1/1917	Haley	
D50,398 S	2/1917	Miller	
D50,401 S	2/1917	Miller	
1,607,864 A	11/1926	Butler	
D75,939 S	7/1928	Tennhardt	
D94,207 S	* 1/1935	Guild	D7/558
D94,245 S	1/1935	Sebring, Jr. et al.	
D95,504 S	* 5/1935	Guild	D11/152
2,050,206 A	8/1936	Chaplin	
2,051,940 A	* 8/1936	Wright	220/754
D103,390 S	* 3/1937	Connor	D7/667
D201,376 S	* 6/1965	Schroeder	D7/505
D204,781 S	* 5/1966	Wanderer	D7/523
D209,307 S	11/1967	Schilling	

D209,311 S	* 11/1967	Schilling	D7/523
D214,678 S	7/1969	Weeber	
3,792,809 A	2/1974	Schneider et al.	
D262,681 S	* 1/1982	Dawson	D7/667
D264,791 S	6/1982	Conti	
D264,792 S	6/1982	Conti	
4,435,628 A	* 3/1984	Bowen et al.	219/734
D288,515 S	3/1987	Rimmeir	
D289,245 S	4/1987	Ritman	
D289,246 S	4/1987	Ritman	
D289,717 S	5/1987	Ritman	
D291,757 S	9/1987	Ritman	
D315,658 S	3/1991	Scherer	
D316,686 S	* 5/1991	Tardif	D11/148
D318,596 S	* 7/1991	Watts	D7/505
D321,815 S	11/1991	Bowdler	
D325,112 S	4/1992	Thompson	
D327,236 S	* 6/1992	Weder	D11/152

(Continued)

Primary Examiner—Ian Simmons
Assistant Examiner—Charles Hanson
(74) *Attorney, Agent, or Firm*—Foley & Lardner LLP

(57) **CLAIM**

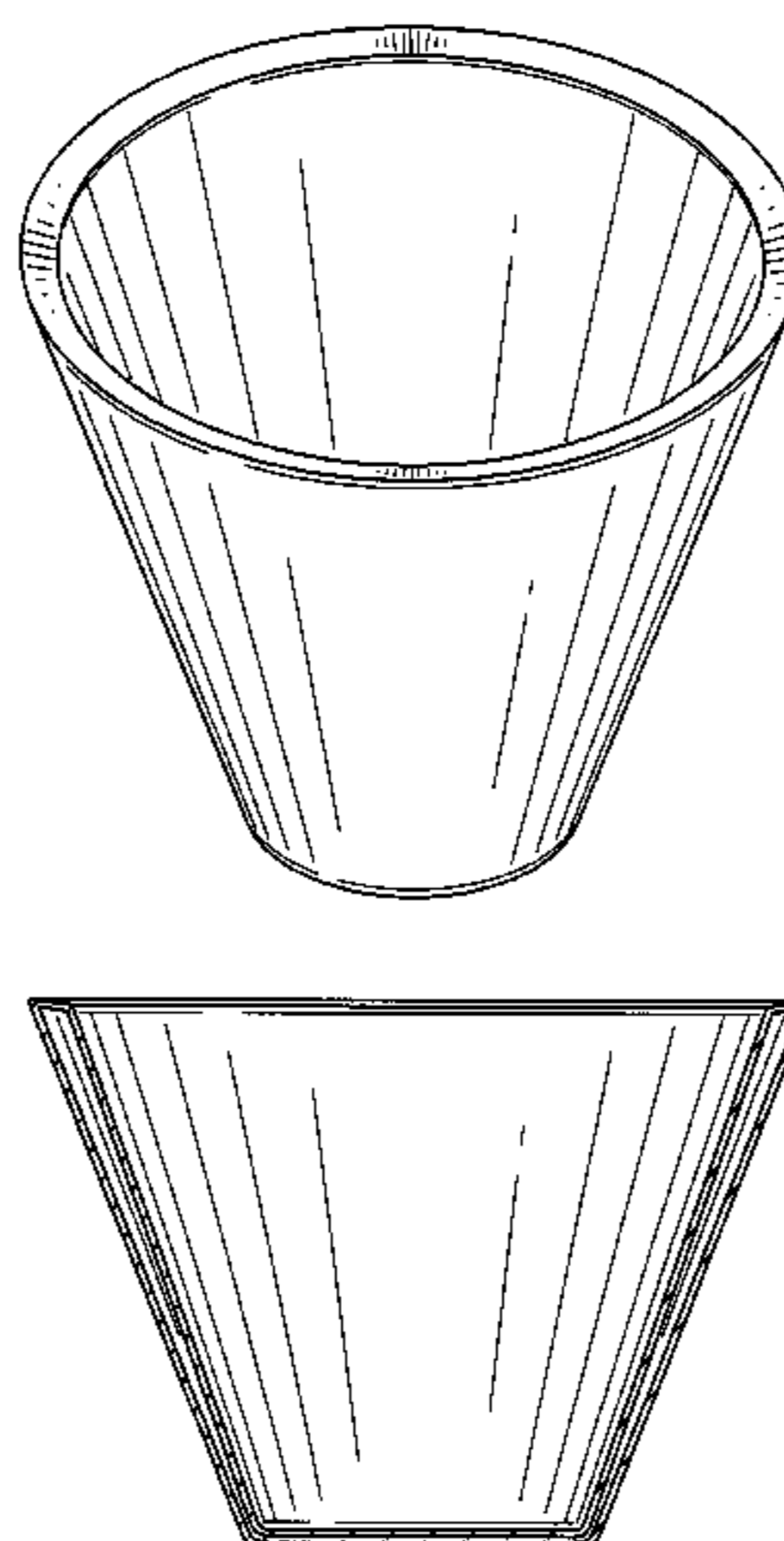
We claim the ornamental design for a double walled metallic bowl, as shown and described.

DESCRIPTION

FIG. 1 is a top perspective view of one embodiment of a design for a double walled metallic bowl;
FIG. 2 is a front elevational view thereof, the rear elevational view, left end elevational view and right end elevational view being the same as the front elevational view shown;
FIG. 3 is a top plan view thereof;
FIG. 4 is bottom plan view thereof; and,
FIG. 5 is a sectional view thereof taken along line 5—5 of FIG. 3.

The ornamental design which is claimed is shown in solid lines in the drawings. The broken lines in the drawings are for illustrative purposes only and form no part of the claimed design.

1 Claim, 3 Drawing Sheets



US D539,611 S

Page 2

U.S. PATENT DOCUMENTS

5,172,826 A	12/1992	Celaya		D442,425 S	5/2001	Wyche
D340,617 S	10/1993	Douglas		D443,476 S	6/2001	Miura
D345,716 S	4/1994	Kwiatkowski		D456,211 S	4/2002	Price
D360,558 S	7/1995	Appleman		D457,389 S	5/2002	Snell
D362,155 S	9/1995	Yee		D458,807 S	6/2002	Trazzi
D362,594 S	9/1995	McEntee		D459,946 S	7/2002	Willat
D367,413 S	2/1996	Ballin		D471,404 S	3/2003	Gady
D371,939 S	7/1996	Rigney		D471,406 S	3/2003	Wellner
D381,934 S	* 8/1997	Weder et al. D11/164	D478,476 S	8/2003	Wellner
5,706,980 A	1/1998	Dickerson		D478,477 S	8/2003	Tisdale et al.
D406,986 S	* 3/1999	Lewis D7/558	D480,269 S	10/2003	Currier
D411,288 S	6/1999	Cuttriss		D481,262 S	10/2003	Tisdale et al.
5,934,472 A	8/1999	Ramirez et al.		D485,127 S	1/2004	Maier-Aichen
D424,879 S	5/2000	Biber		D488,352 S	4/2004	Tisdale et al.
D428,770 S	8/2000	Wellner		D491,019 S	6/2004	Marsden et al.
D428,771 S	8/2000	Novi		D494,062 S	8/2004	Willis
D432,362 S	10/2000	Fait		D494,419 S	8/2004	Armer
D432,868 S	* 10/2000	Tan D7/584	D495,211 S	8/2004	Brown et al.
D442,019 S	5/2001	Wyche				

* cited by examiner

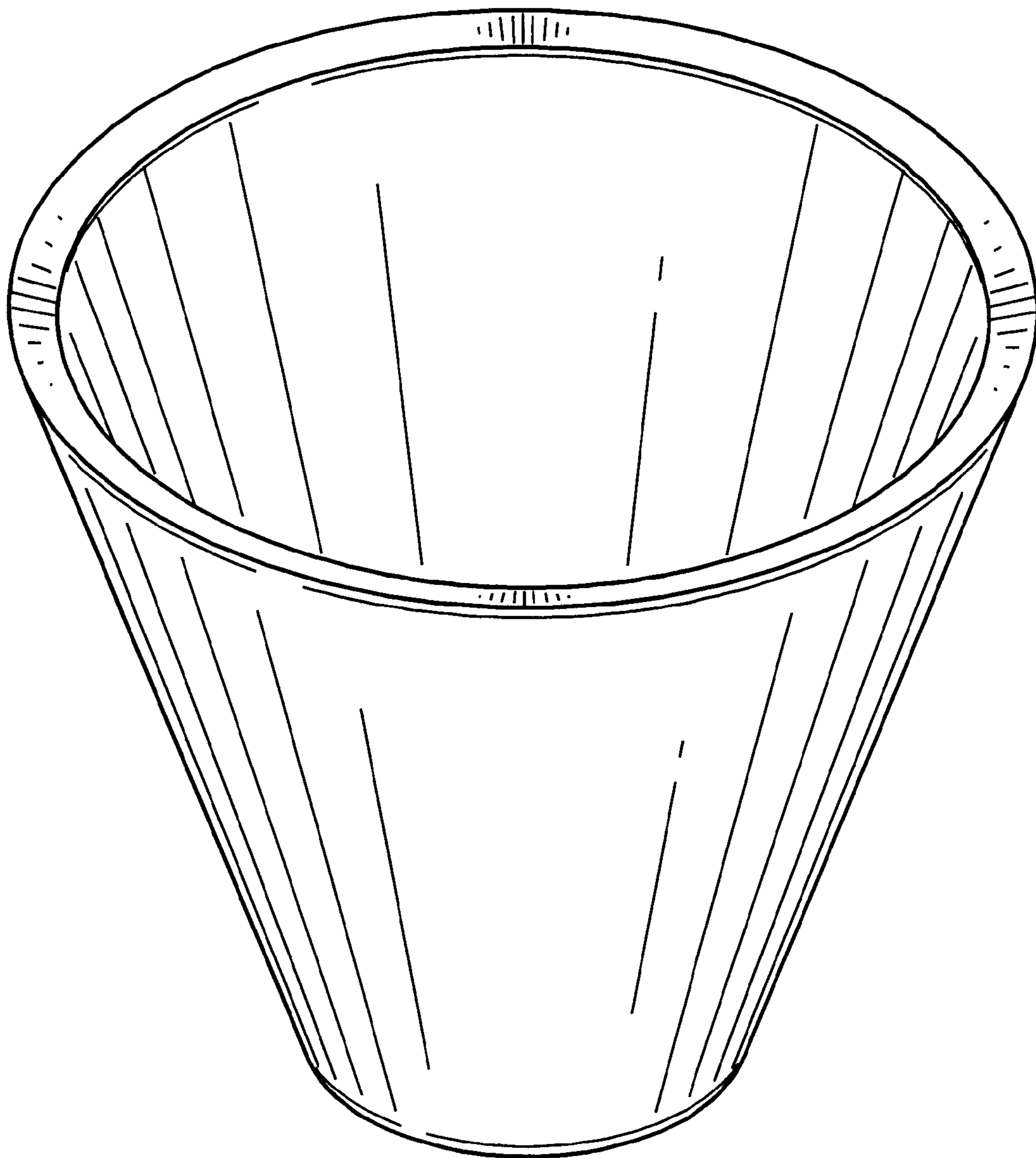


FIG. 1

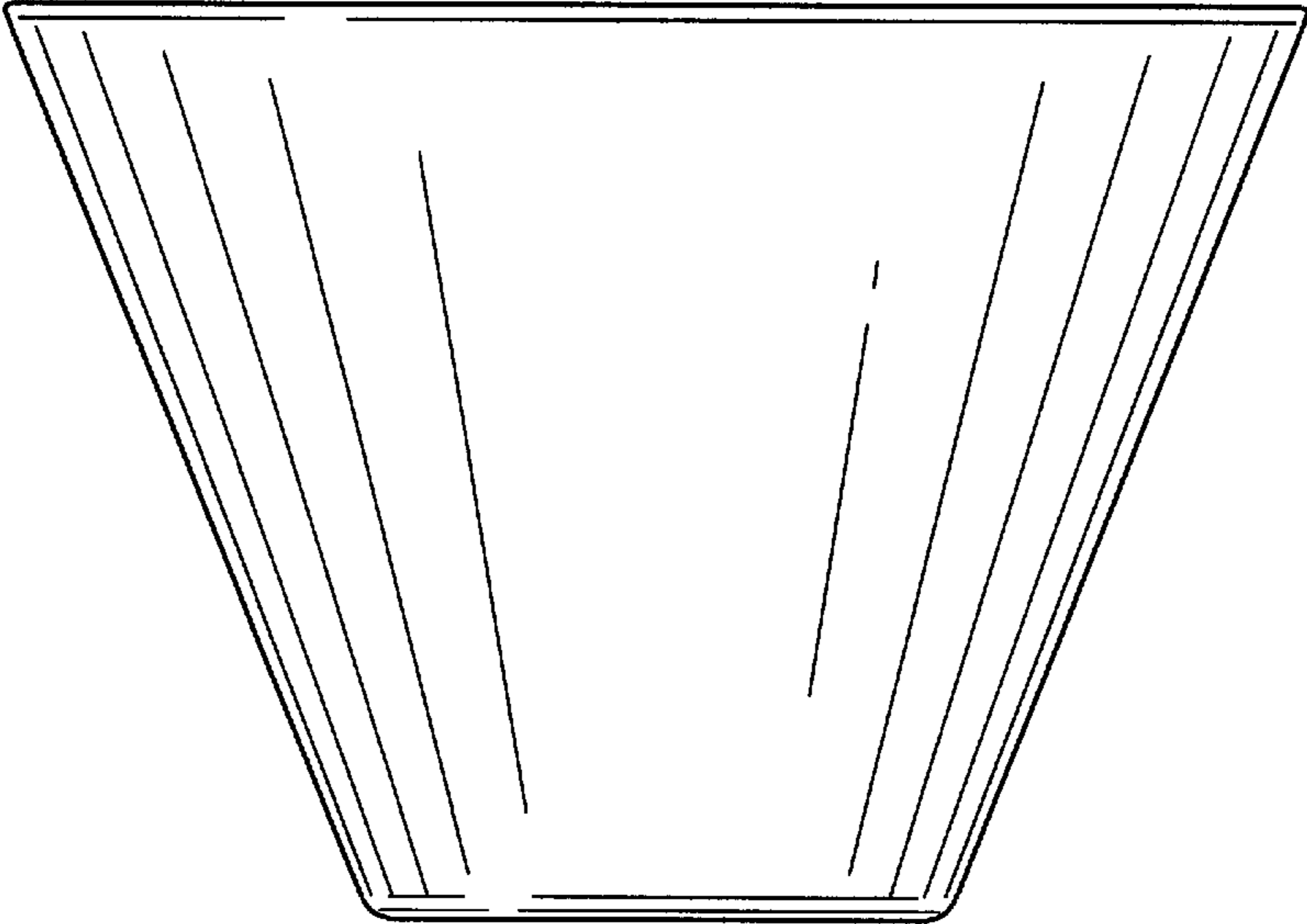


FIG. 2

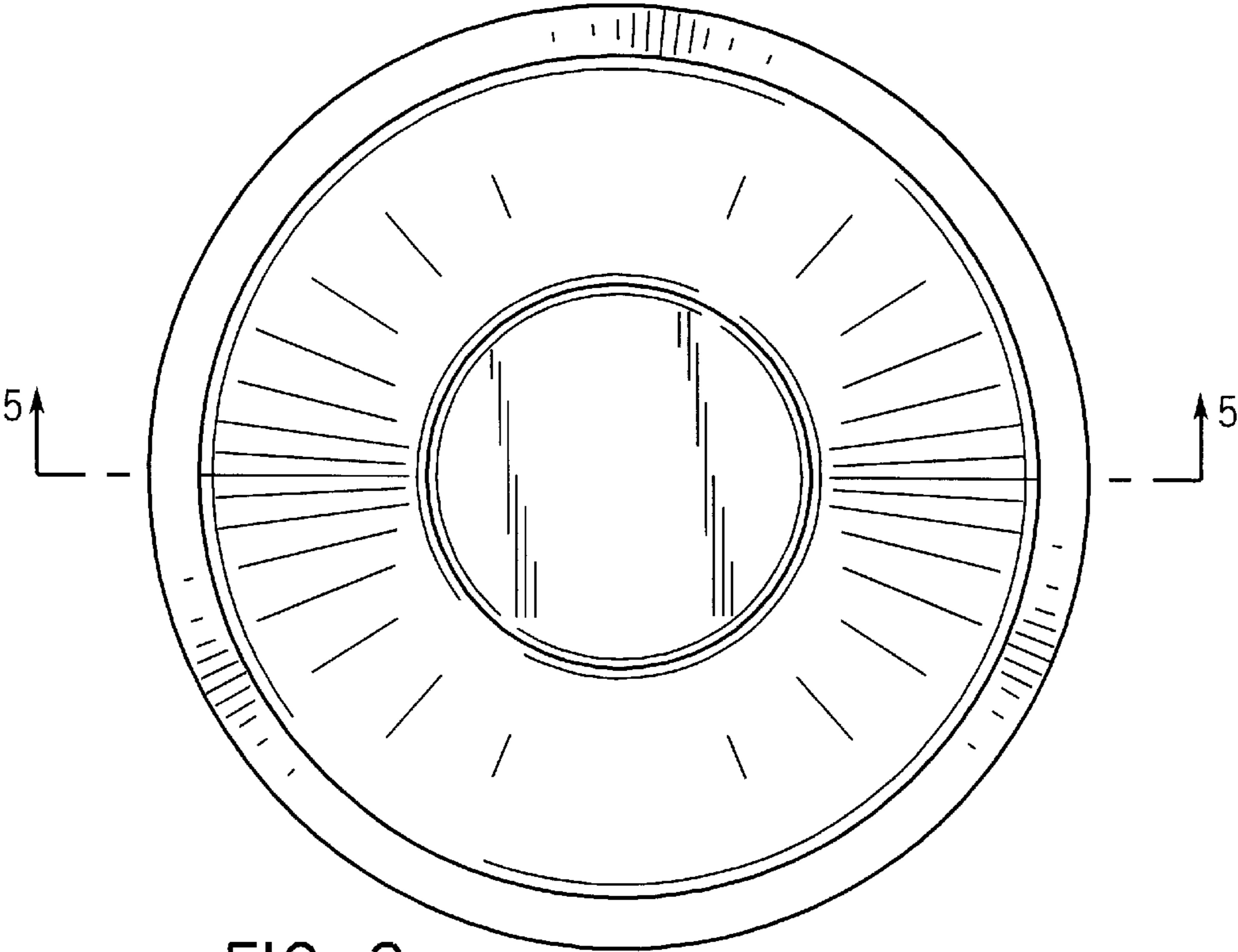


FIG. 3

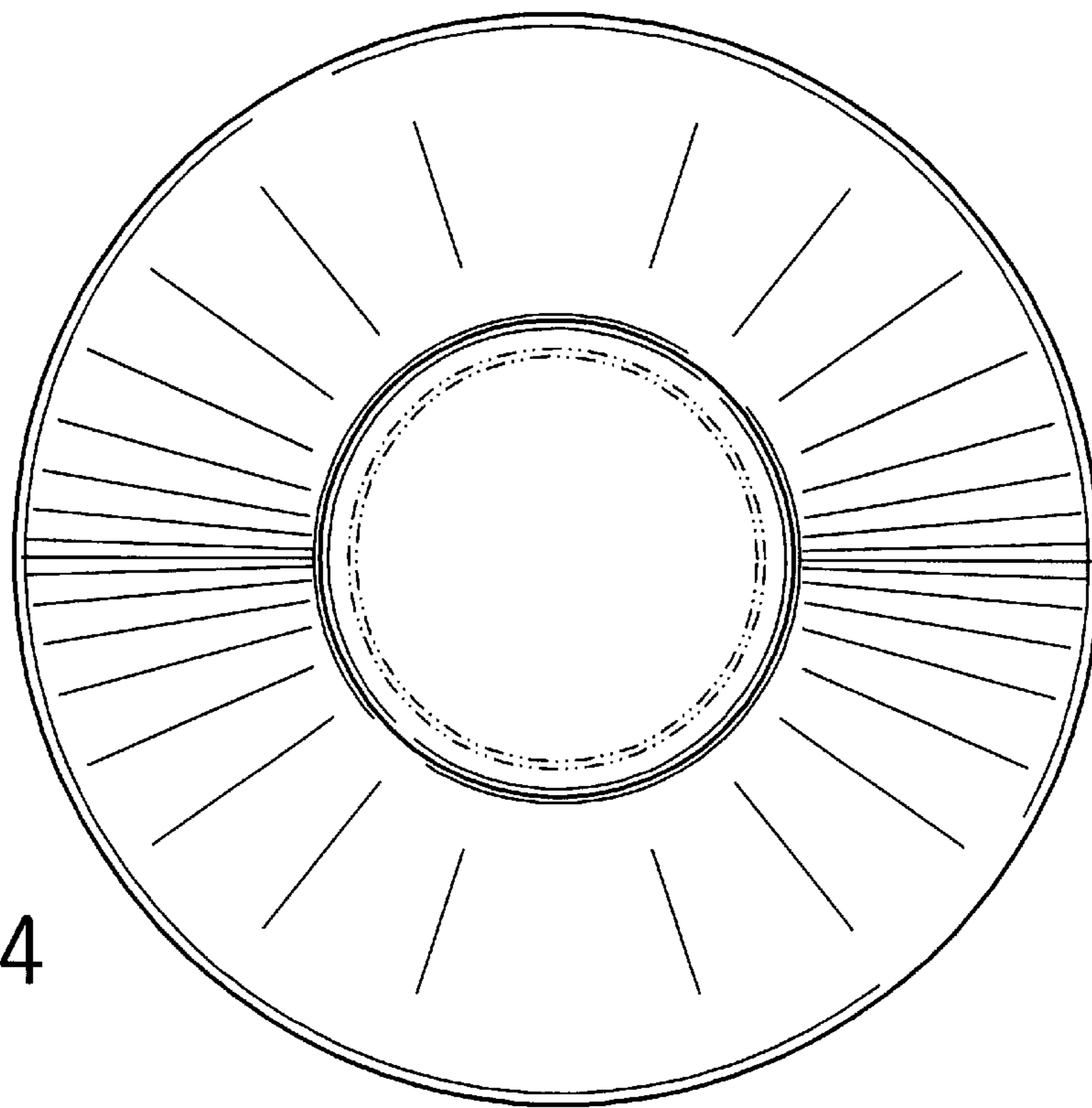


FIG. 4

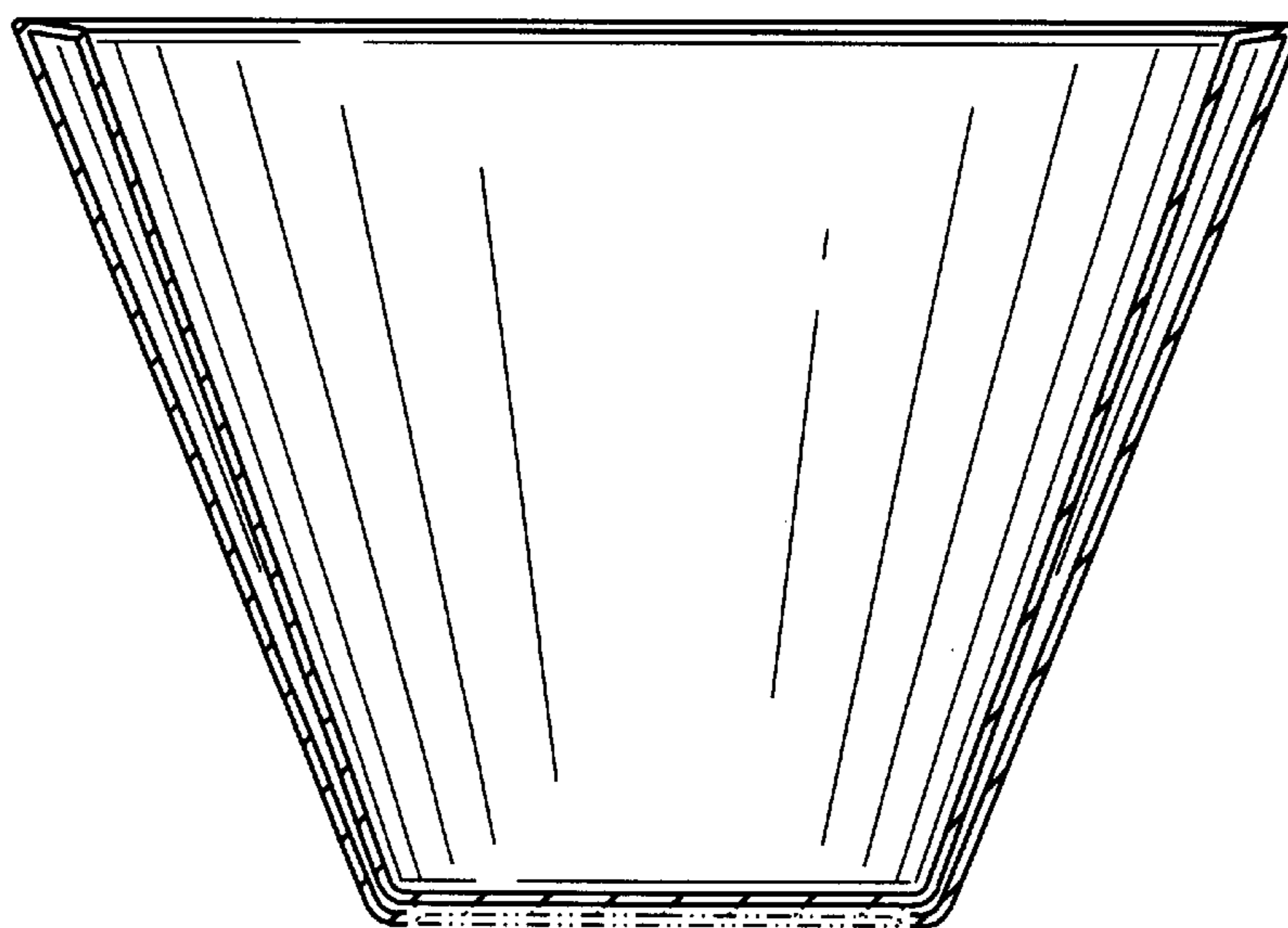


FIG. 5