



US00D539608S

(12) **United States Design Patent**
Lapsker

(10) **Patent No.:** **US D539,608 S**

(45) **Date of Patent:** **** Apr. 3, 2007**

(54) **BEVERAGEWARE**

(75) Inventor: **Ron Lapsker**, Maple (CA)

(73) Assignee: **Prosoft International, Inc.**, St. Michael, Bridgetown (BB)

(**) Term: **14 Years**

(21) Appl. No.: **29/262,089**

(22) Filed: **Jun. 26, 2006**

(51) **LOC (8) Cl.** **07-01**

(52) **U.S. Cl.** **D7/510; D7/511**

(58) **Field of Classification Search** D7/531, D7/532, 510, 511, 509, 523, 608; D9/503, D9/502, 530, 614; 206/216, 217, 223, 541, 206/520; 220/603, 560, 592.22, 592.16, 711, 220/714, 715, 703, 709; 215/386, 229, 388, 215/12.1, 216; D24/121; 210/85; 222/131
See application file for complete search history.

(56) **References Cited**

U.S. PATENT DOCUMENTS

| | | | | | |
|------------|---|--------|---------------|-------|---------|
| D256,651 S | * | 9/1980 | Leung et al. | | D7/608 |
| D268,289 S | * | 3/1983 | Diebold | | D27/124 |
| D279,346 S | * | 6/1985 | Ruxton | | D7/608 |
| D338,130 S | * | 8/1993 | Costello | | D7/320 |
| D348,837 S | * | 7/1994 | Feen | | D9/502 |
| D383,980 S | * | 9/1997 | Abfier et al. | | D9/502 |
| D398,941 S | * | 9/1998 | Nissim et al. | | D21/480 |
| D410,821 S | * | 6/1999 | Huang | | D7/608 |

| | | | | | |
|-------------|---|---------|--------------------|-------|---------|
| 5,944,224 A | * | 8/1999 | Hodge et al. | | 222/131 |
| D422,503 S | * | 4/2000 | Lehn | | D9/503 |
| D447,004 S | * | 8/2001 | Green | | D7/510 |
| D455,611 S | * | 4/2002 | Kitamura et al. | | D7/608 |
| D458,134 S | * | 6/2002 | Berish et al. | | D9/443 |
| D482,607 S | * | 11/2003 | McRae | | D9/614 |
| D485,132 S | * | 1/2004 | Ohno et al. | | D7/608 |
| D485,737 S | * | 1/2004 | Schaub et al. | | D8/68 |
| D499,649 S | * | 12/2004 | Olivares et al. | | D9/502 |
| D519,380 S | * | 4/2006 | Leoncavallo et al. | | D9/530 |
| D521,640 S | * | 5/2006 | Massey | | D24/121 |
| D528,921 S | * | 9/2006 | Leoncavallo et al. | | D9/530 |
| D529,339 S | * | 10/2006 | Carreno et al. | | D7/511 |

* cited by examiner

Primary Examiner—M. N. Pandozzi

(74) *Attorney, Agent, or Firm*—Hodgson Russ LLP

(57) **CLAIM**

The ornamental design for beverageware, as shown and described.

DESCRIPTION

FIG. 1 is a perspective view of beverageware showing our new design;

FIG. 2 is a left-hand side elevational view thereof;

FIG. 3 is a right-hand side elevational view thereof;

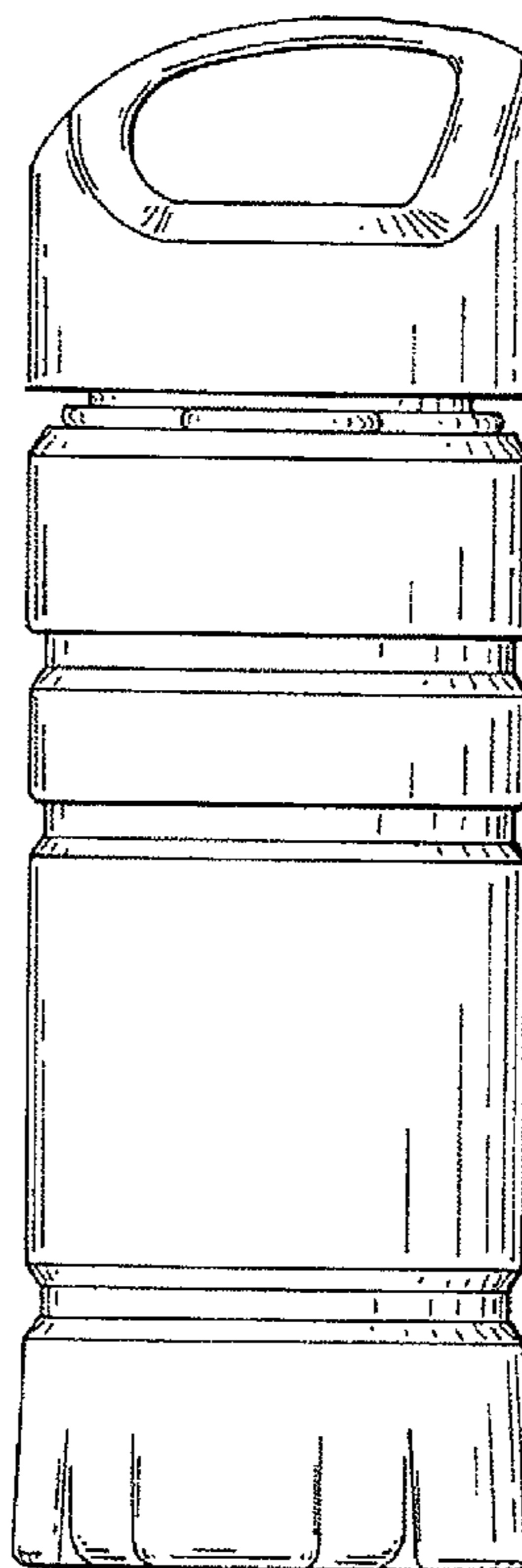
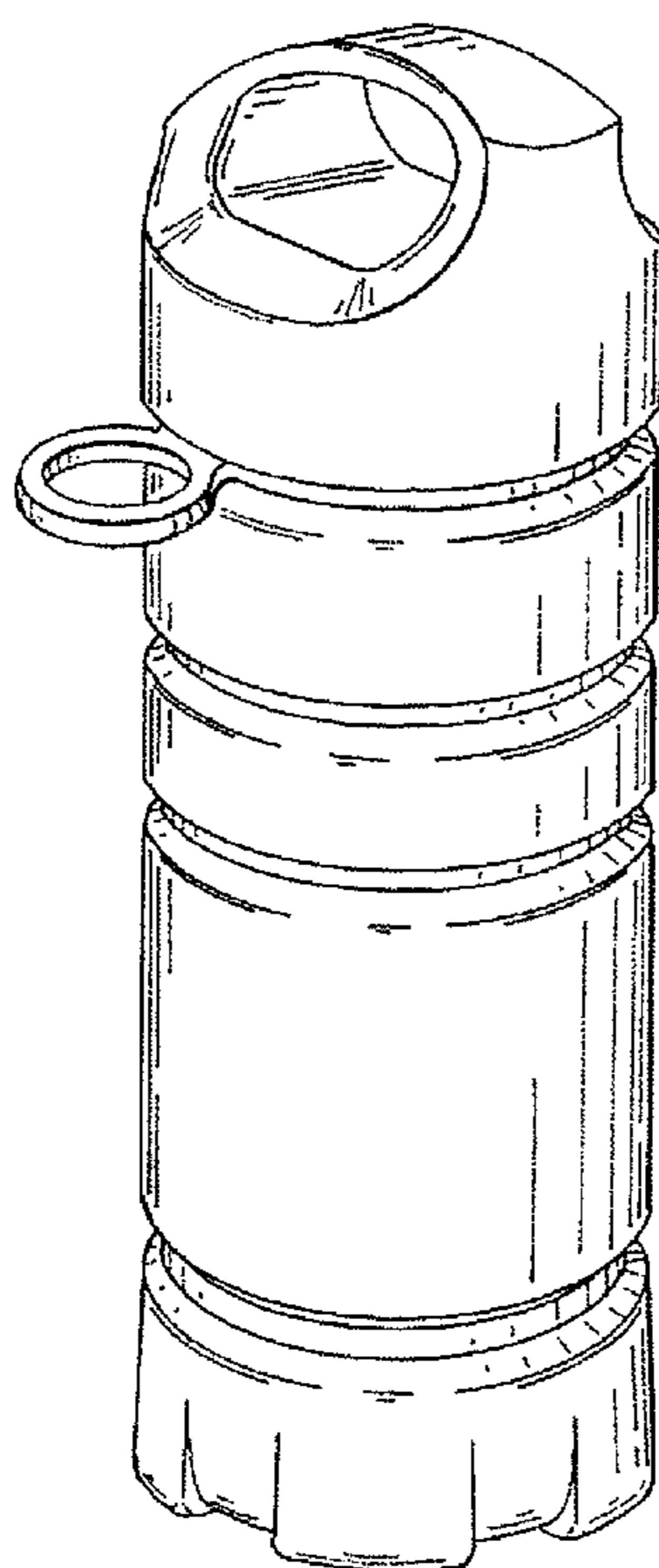
FIG. 4 is a rear elevational view thereof;

FIG. 5 is a front elevational view thereof;

FIG. 6 is a top plan view thereof; and,

FIG. 7 is a bottom plan view thereof.

1 Claim, 2 Drawing Sheets



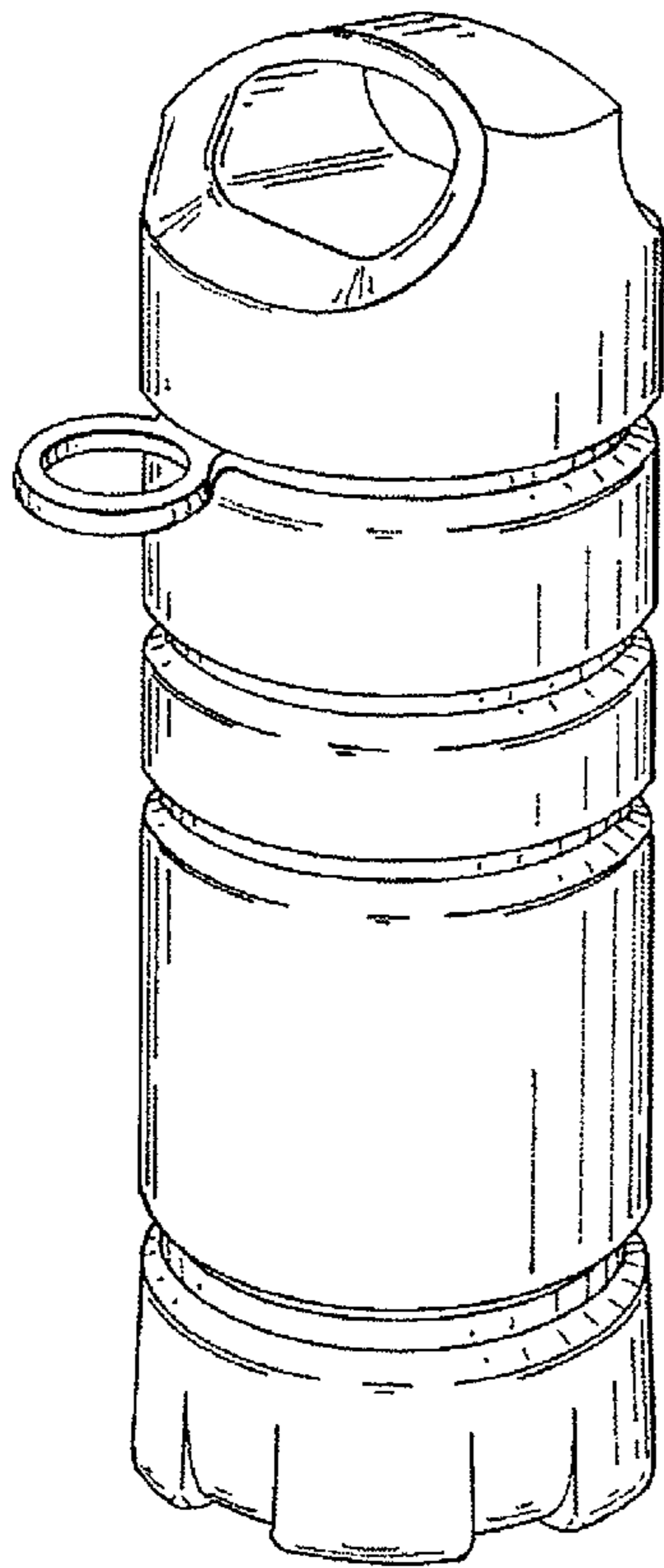


FIG. 1

FIG. 2

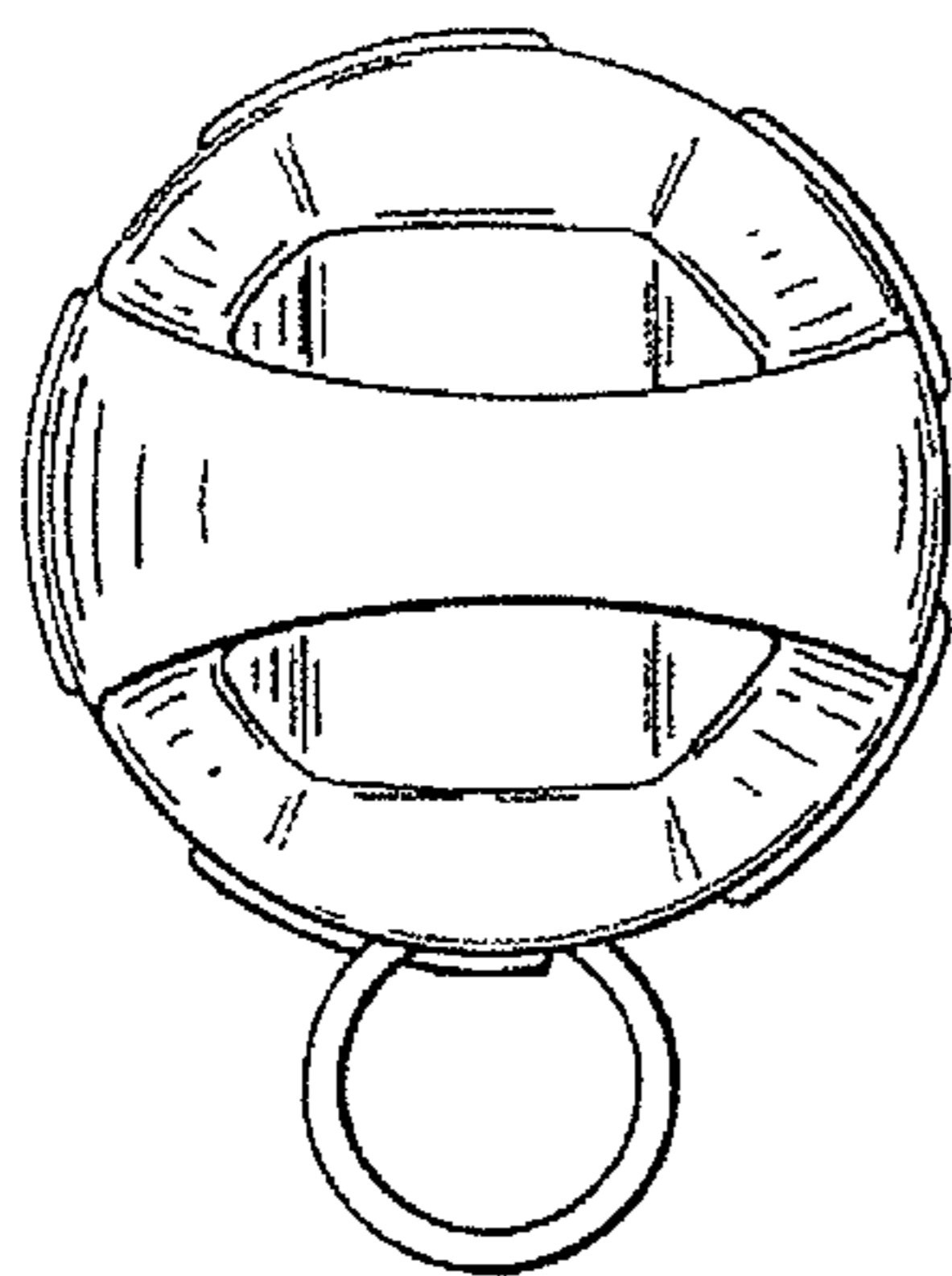
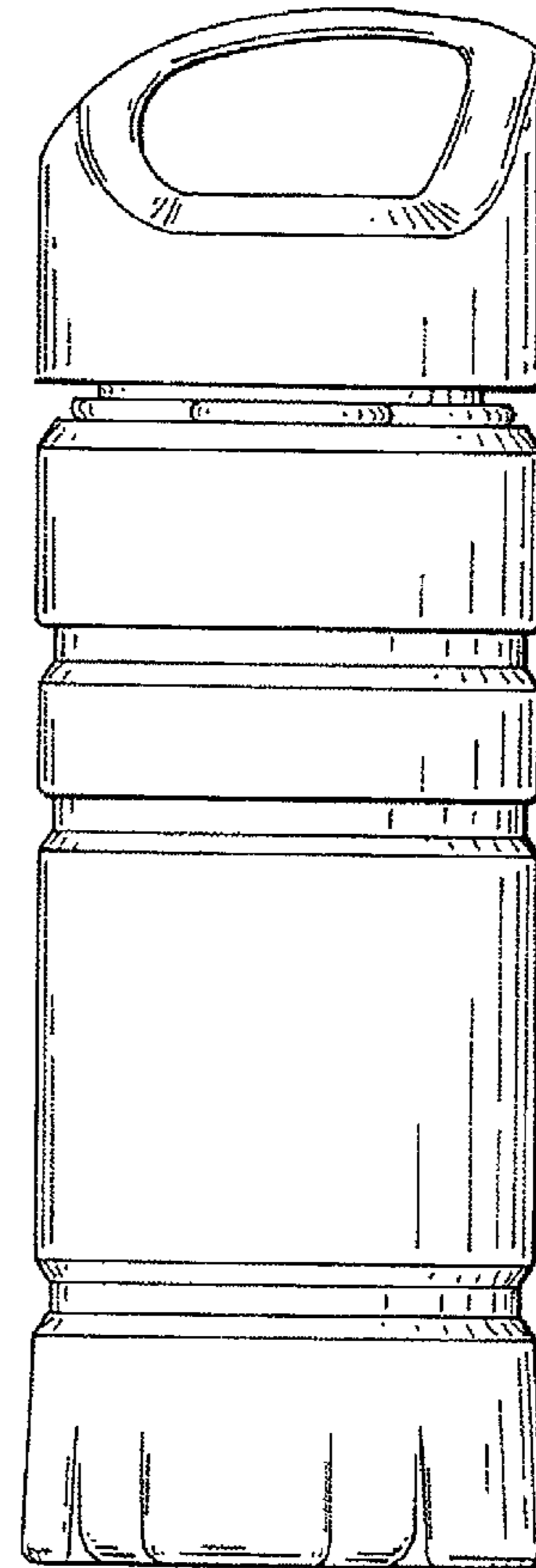


FIG. 6

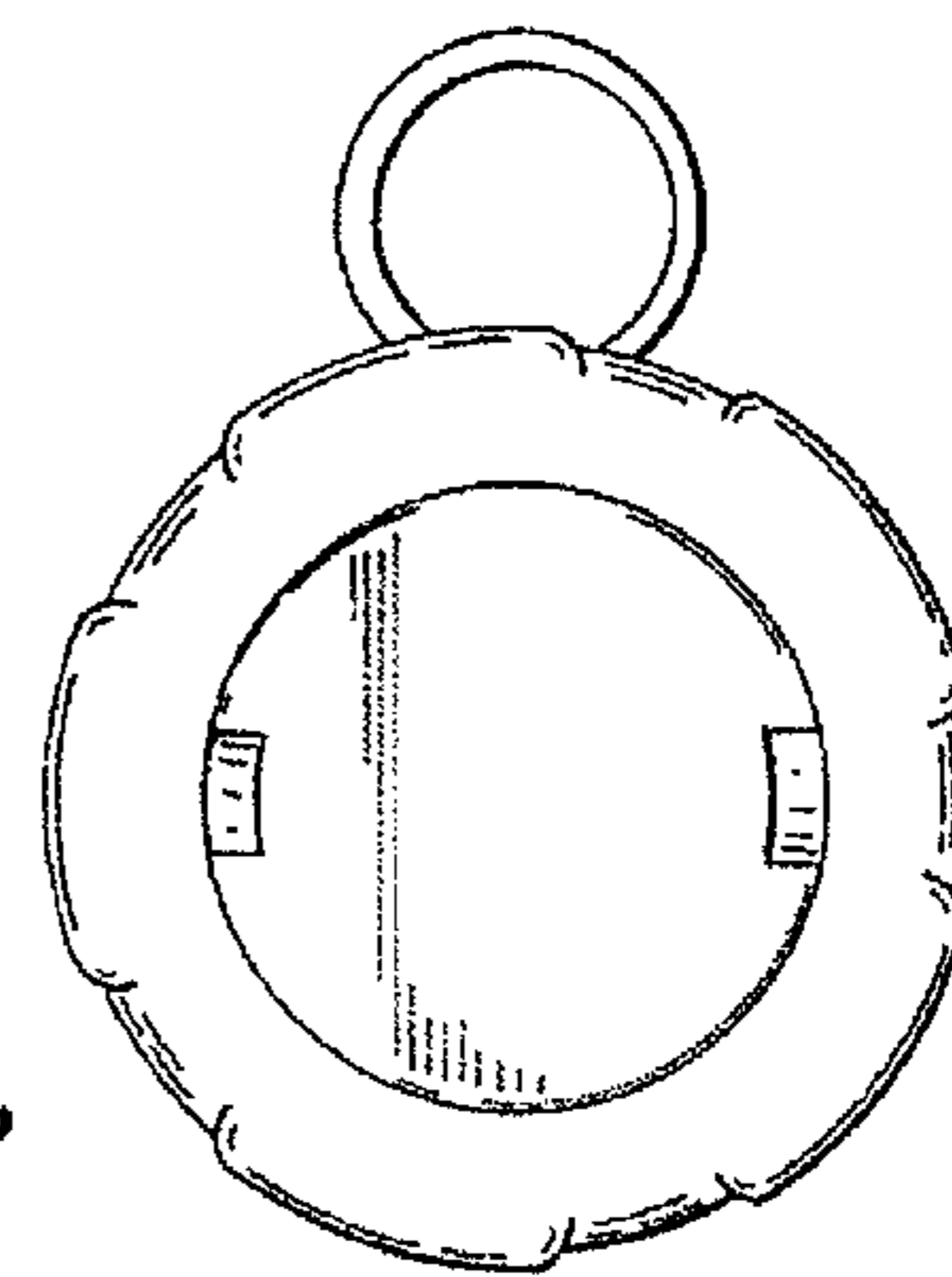


FIG. 7

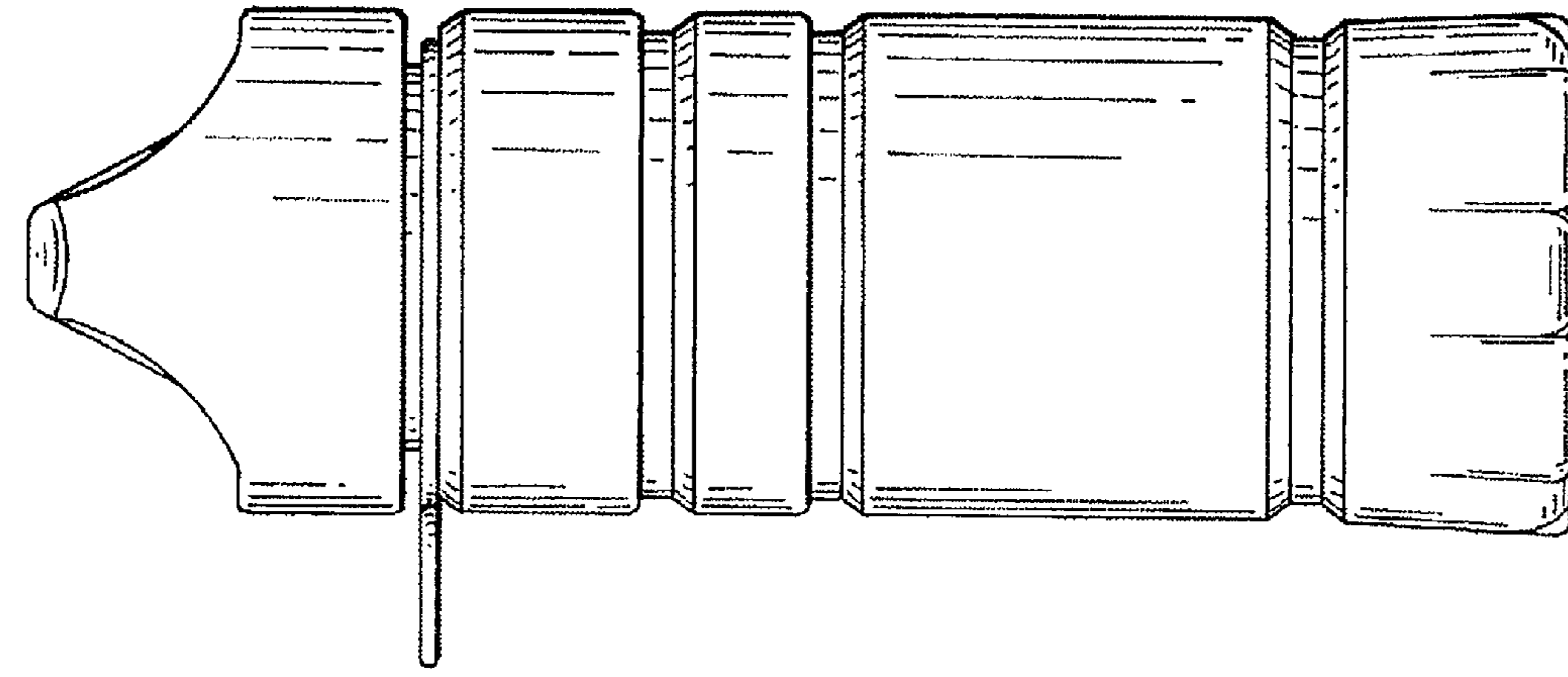


FIG. 3

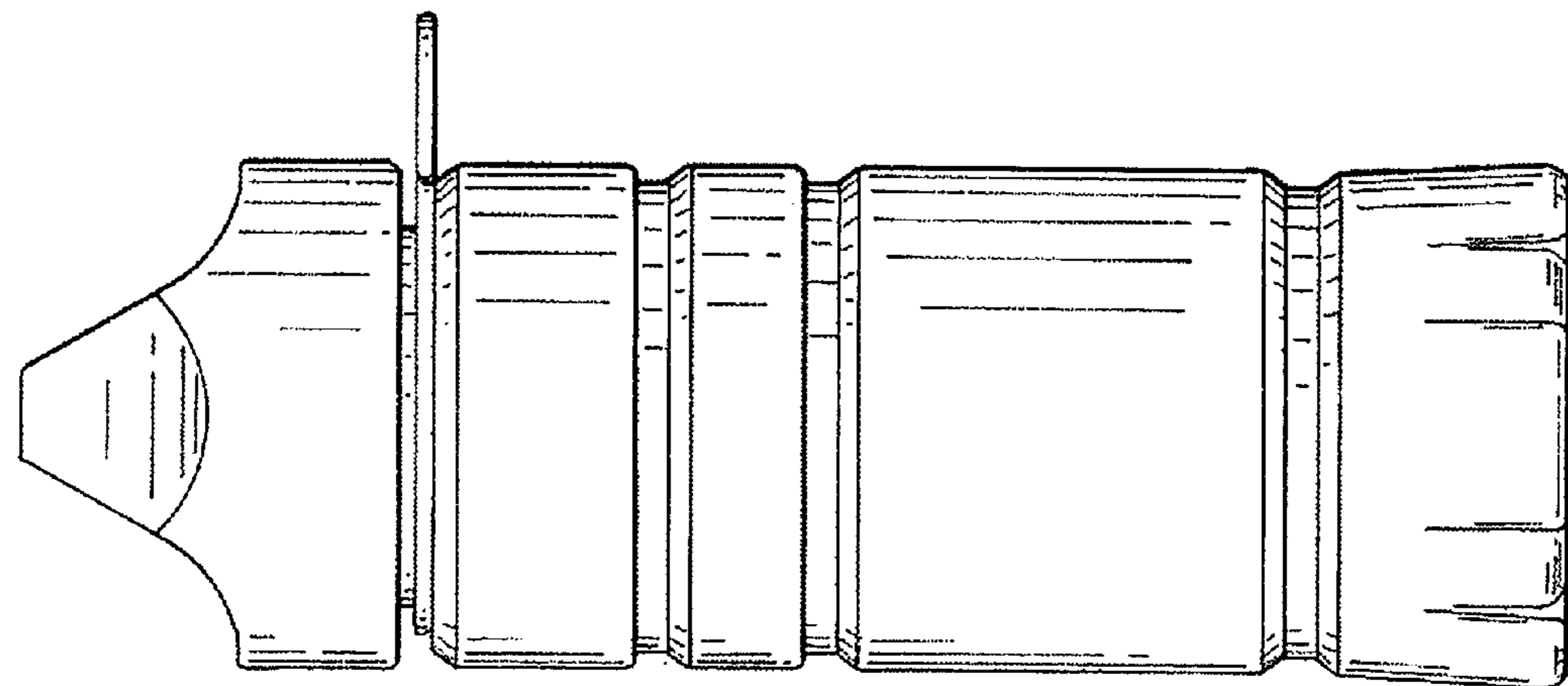


FIG. 4

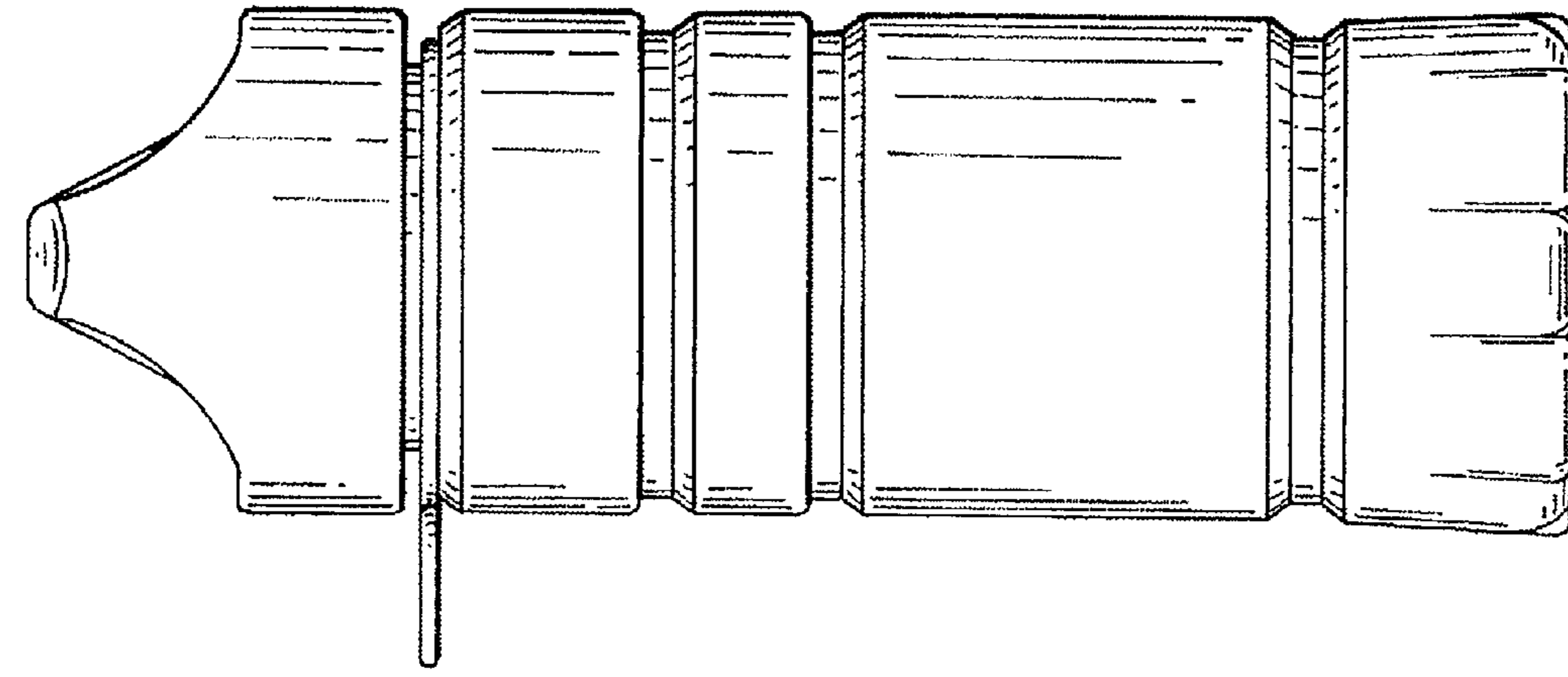


FIG. 5