



US00D539607S

(12) **United States Design Patent**  
**Lapsker**

(10) **Patent No.:** **US D539,607 S**

(45) **Date of Patent:** **\*\* Apr. 3, 2007**

(54) **BEVERAGEWARE**

(75) Inventor: **Ron Lapsker**, Maple (CA)

(73) Assignee: **Prosoft International, Inc.**, Bridgetown (BB)

(\*\*) Term: **14 Years**

(21) Appl. No.: **29/261,514**

(22) Filed: **Jun. 15, 2006**

(51) **LOC (8) Cl.** ..... **07-01**

(52) **U.S. Cl.** ..... **D7/510; D7/511**

(58) **Field of Classification Search** ..... D7/531, D7/532, 510, 511, 509, 523, 608; D9/503, D9/502, 530, 614; 206/216, 217, 223, 541, 206/520; 220/603, 560, 592.22, 592.16, 711, 220/714, 715, 703, 709; 215/386, 229, 388, 215/12.1, 216; D24/121; 210/85; 222/131  
See application file for complete search history.

(56) **References Cited**

**U.S. PATENT DOCUMENTS**

D256,651 S	*	9/1980	Leung et al.	.....	D7/608
D268,289 S	*	3/1983	Diebold	.....	D27/124
D279,346 S	*	6/1985	Ruxton	.....	D7/608
D338,130 S	*	8/1993	Costello	.....	D7/320
D348,837 S	*	7/1994	Feen	.....	D9/502
D383,980 S	*	9/1997	Abfier et al.	.....	D9/502
D398,941 S	*	9/1998	Nissim et al.	.....	D21/480
D410,821 S	*	6/1999	Huang	.....	D7/608

5,944,224 A	*	8/1999	Hodge et al.	.....	222/131
D422,503 S	*	4/2000	Lehn	.....	D9/503
D447,004 S	*	8/2001	Green	.....	D7/510
D455,611 S	*	4/2002	Kitamura et al.	.....	D7/608
D458,134 S	*	6/2002	Berish et al.	.....	D9/443
D482,607 S	*	11/2003	McRae	.....	D9/614
D485,132 S	*	1/2004	Ohno et al.	.....	D7/608
D485,737 S	*	1/2004	Schaub et al.	.....	D8/68
D499,649 S	*	12/2004	Olivares et al.	.....	D9/502
D519,380 S	*	4/2006	Leoncavallo et al.	.....	D9/530
D521,640 S	*	5/2006	Massey	.....	D24/121
D528,921 S	*	9/2006	Leoncavallo et al.	.....	D9/530
D529,339 S	*	10/2006	Carreno et al.	.....	D7/511

\* cited by examiner

*Primary Examiner*—M. N. Pandozzi

(74) *Attorney, Agent, or Firm*—Hodgson Russ LLP

(57) **CLAIM**

The ornamental design for beverageware, as shown and described.

**DESCRIPTION**

FIG. 1 is a perspective view of beverageware showing our new design;

FIG. 2 is a left-hand side elevational view thereof;

FIG. 3 is a right-hand side elevational view thereof;

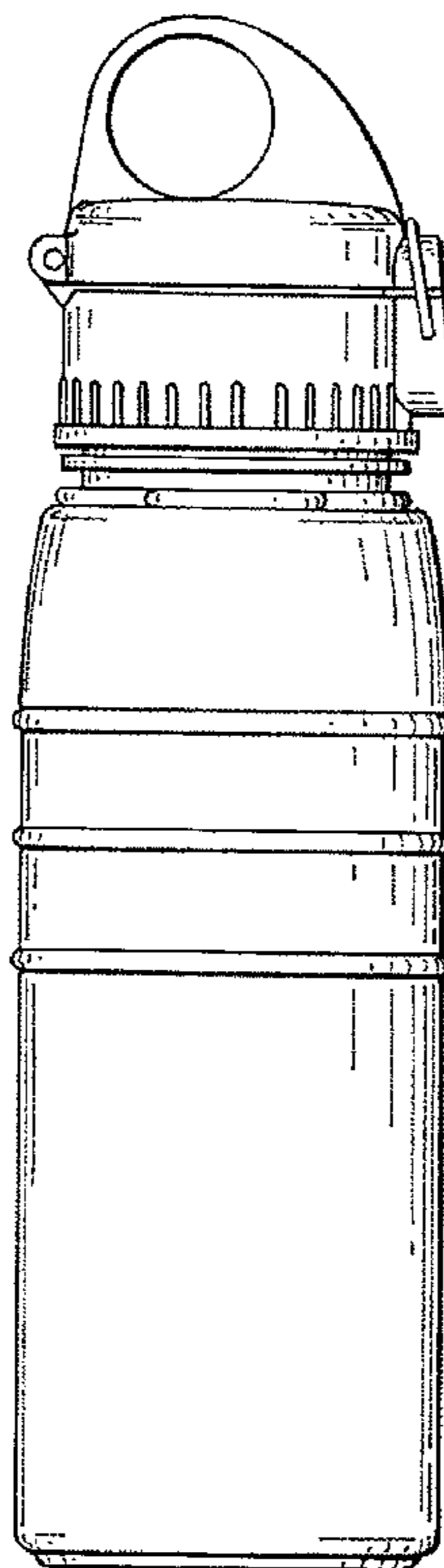
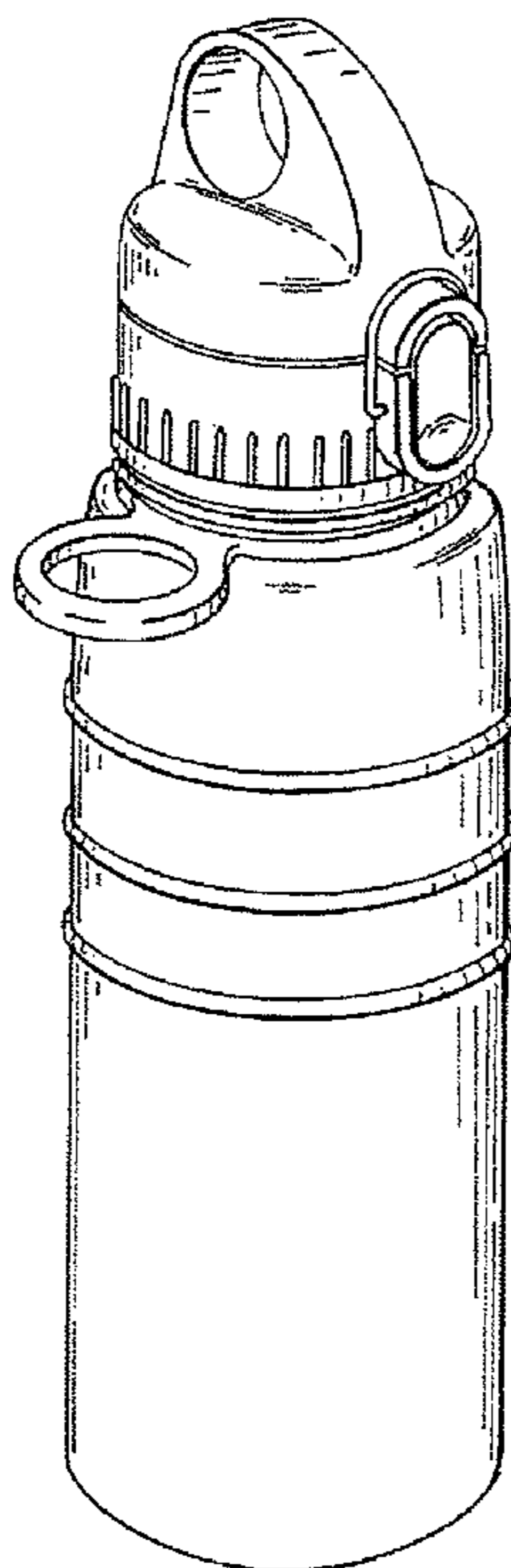
FIG. 4 is a rear elevational view thereof;

FIG. 5 is a front elevational view thereof;

FIG. 6 is a top plan view thereof; and,

FIG. 7 is a bottom plan view thereof.

**1 Claim, 2 Drawing Sheets**



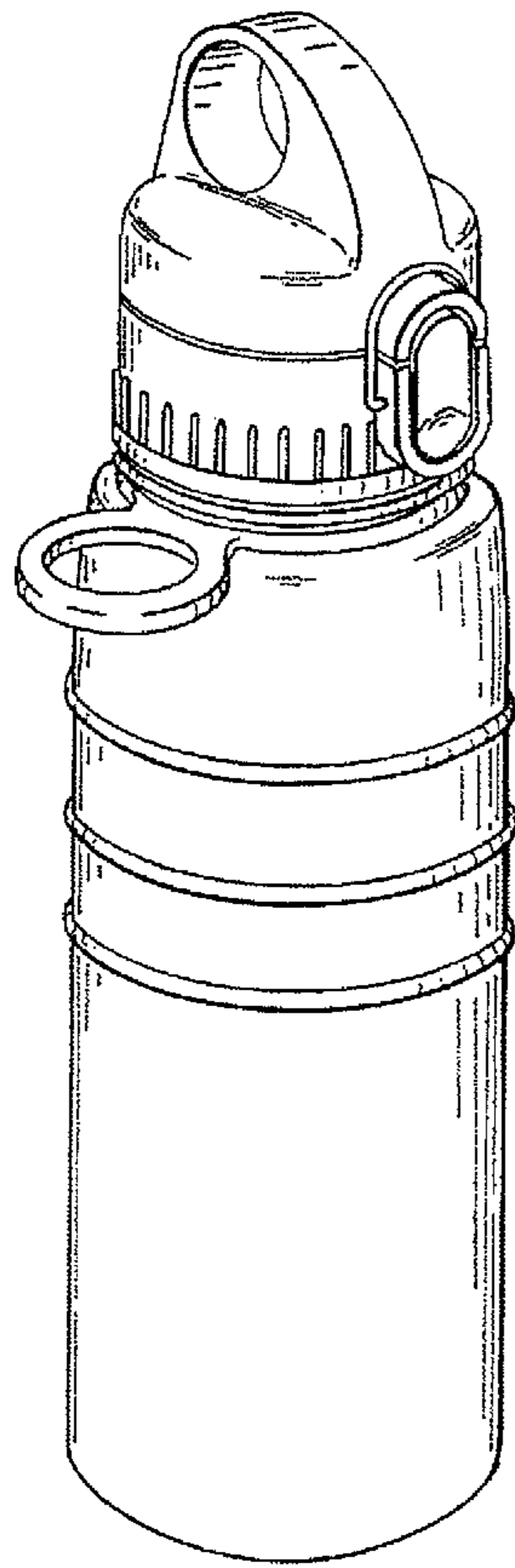


FIG. 1

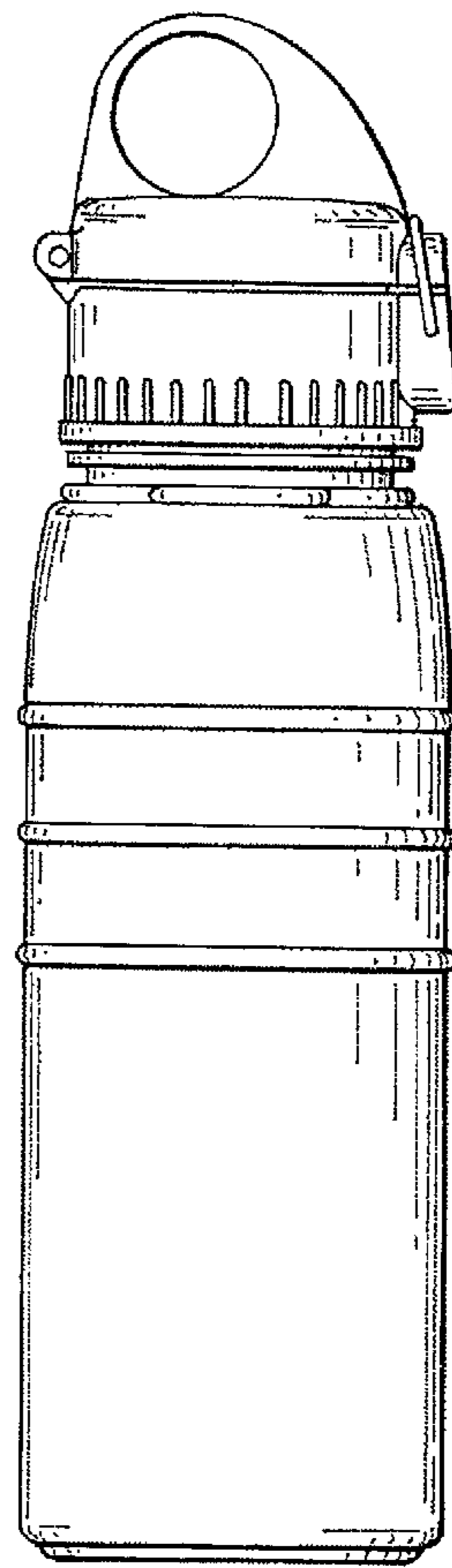


FIG. 2

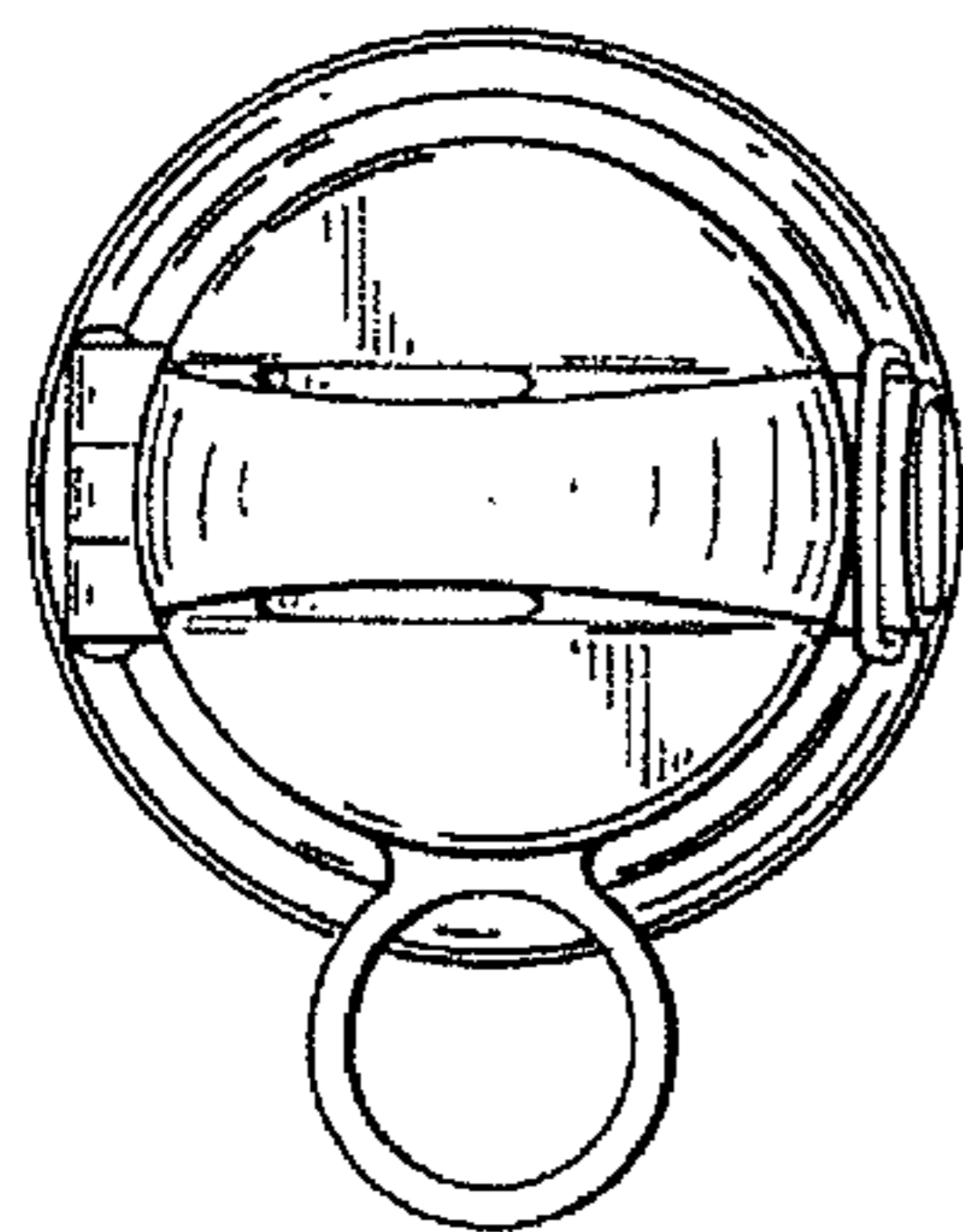
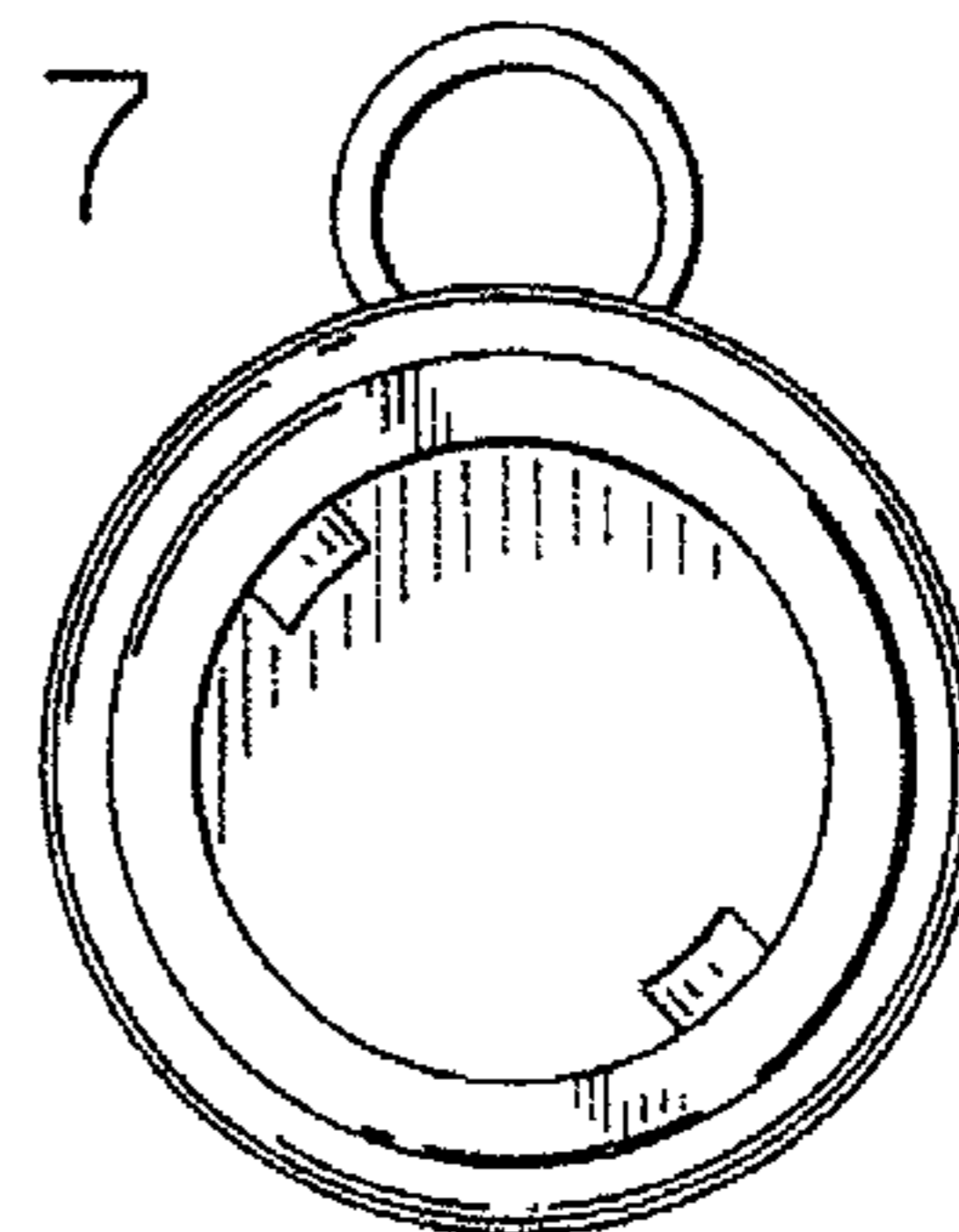


FIG. 6

FIG. 7



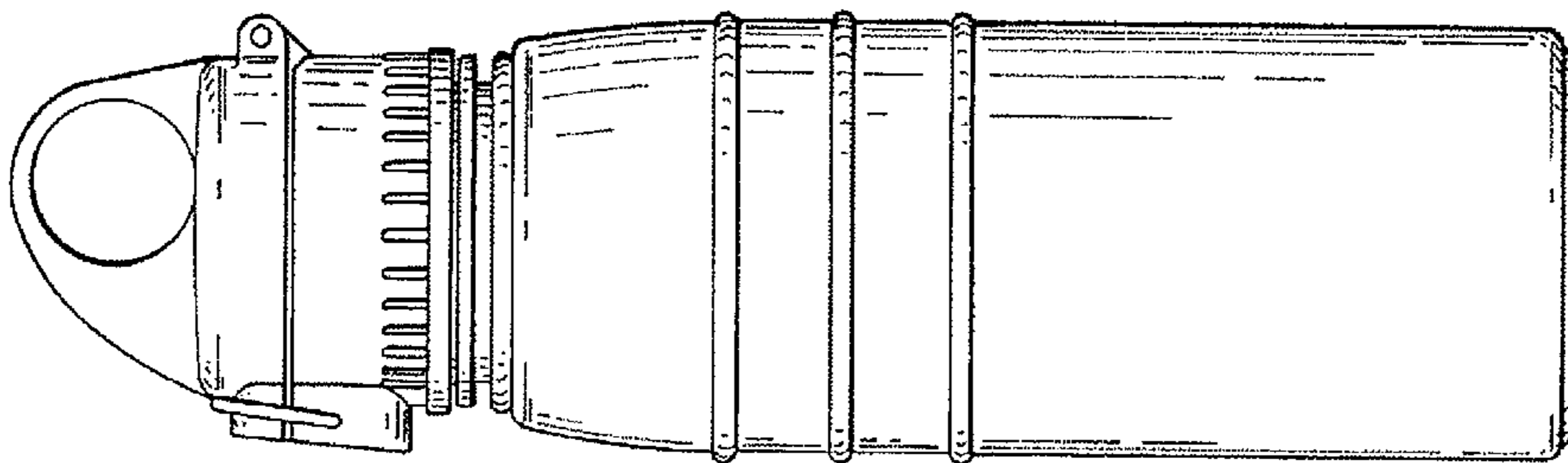


FIG. 3

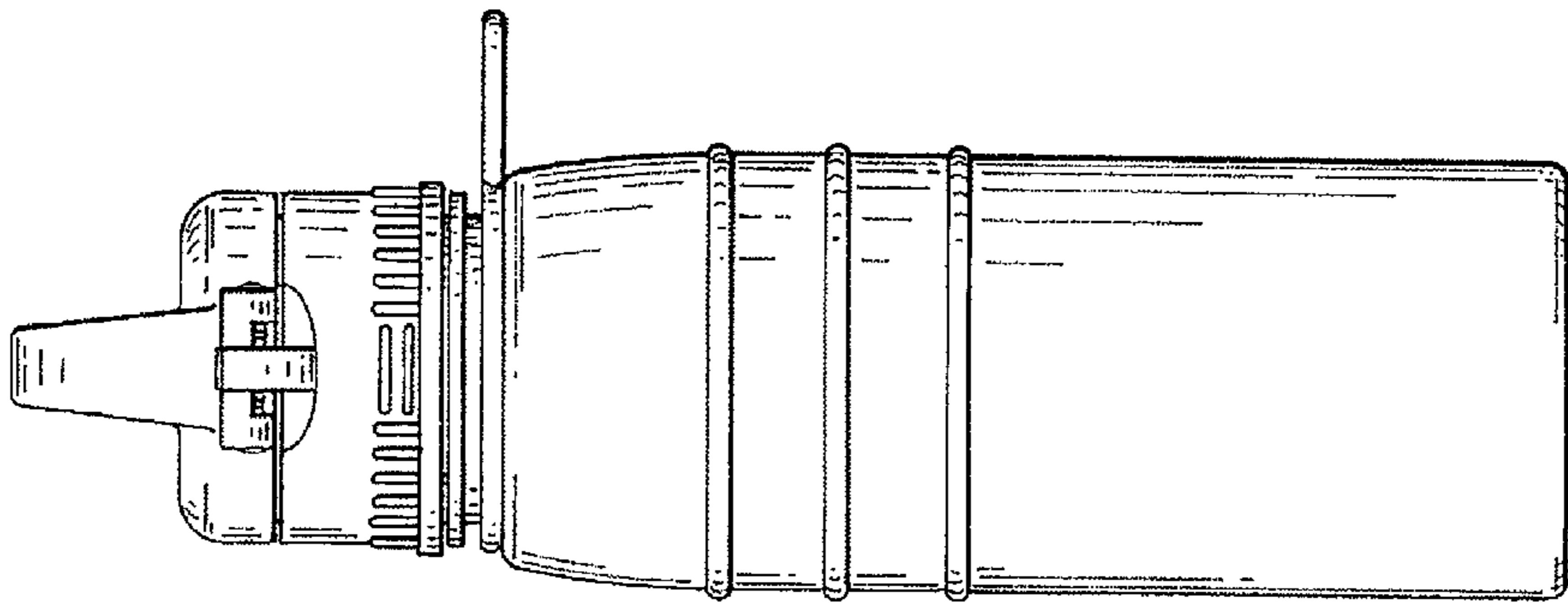


FIG. 4

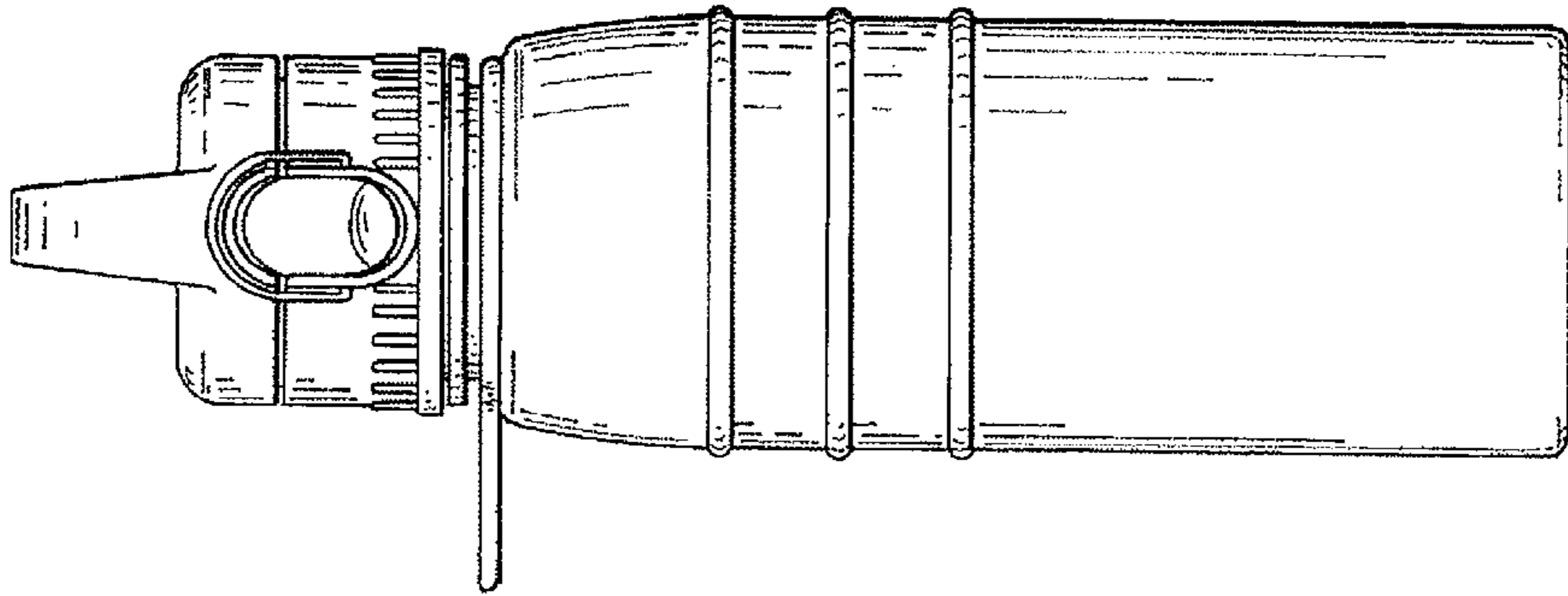


FIG. 5

UNITED STATES PATENT AND TRADEMARK OFFICE  
**CERTIFICATE OF CORRECTION**

PATENT NO. : Des. 539,607 S  
APPLICATION NO. : 29/261514  
DATED : April 3, 2007  
INVENTOR(S) : Lapsker

Page 1 of 1

It is certified that error appears in the above-identified patent and that said Letters Patent is hereby corrected as shown below:

Title Page; Column 1 - (73) Assignee: "Prosoft **Iñternational**, Inc.,

Bridgetown (BB)" should be -- Calypso International Inc. --

Signed and Sealed this

Twenty-second Day of July, 2008

A handwritten signature in black ink that reads "Jon W. Dudas". The signature is written in a cursive style with a large, looped initial "J".

JON W. DUDAS

*Director of the United States Patent and Trademark Office*