



US00D539605S

(12) **United States Design Patent**
Picozza et al.

(10) **Patent No.:** **US D539,605 S**

(45) **Date of Patent:** **** Apr. 3, 2007**

(54) **MIXER STAND**

(75) Inventors: **Augusto Picozza**, Boca Raton, FL (US); **James Junker**, Miami, FL (US); **Brooks Rorke**, Guilford, CT (US)

(73) Assignee: **Sunbeam Products, Inc.**, Boca Raton, FL (US)

(**) Term: **14 Years**

(21) Appl. No.: **29/260,153**

(22) Filed: **May 17, 2006**

(51) **LOC (8) Cl.** **07-02**

(52) **U.S. Cl.** **D7/412**

(58) **Field of Classification Search** D7/376-386,
D7/412-414, 323, 665, 326, 396.6; 30/390-394;
99/509-511; 241/166-169.1, 274-278.2,
241/285.1-285.3, 291, 292.1; 366/53-67,
366/98, 197-221, 241-254, 279-292, 341-343;
392/336

See application file for complete search history.

(56) **References Cited**

U.S. PATENT DOCUMENTS

D345,080 S * 3/1994 Piret D7/386
D383,642 S * 9/1997 Feil D7/376
D385,149 S * 10/1997 Feil D7/378

D389,696 S * 1/1998 Feil D7/386
D390,415 S * 2/1998 Hippen et al. D7/412
D391,116 S * 2/1998 Hippen et al. D7/412
D475,238 S * 6/2003 Feil D7/376
D489,570 S * 5/2004 Feil D7/386
D493,329 S * 7/2004 Feil D7/378
D498,972 S * 11/2004 Feil D7/386
D499,602 S * 12/2004 Feil D7/378
D526,156 S * 8/2006 Yeung D7/378

* cited by examiner

Primary Examiner—Cathron C. Brooks

Assistant Examiner—Ricky Pham

(74) *Attorney, Agent, or Firm*—Lawrence J. Shurupoff

(57) **CLAIM**

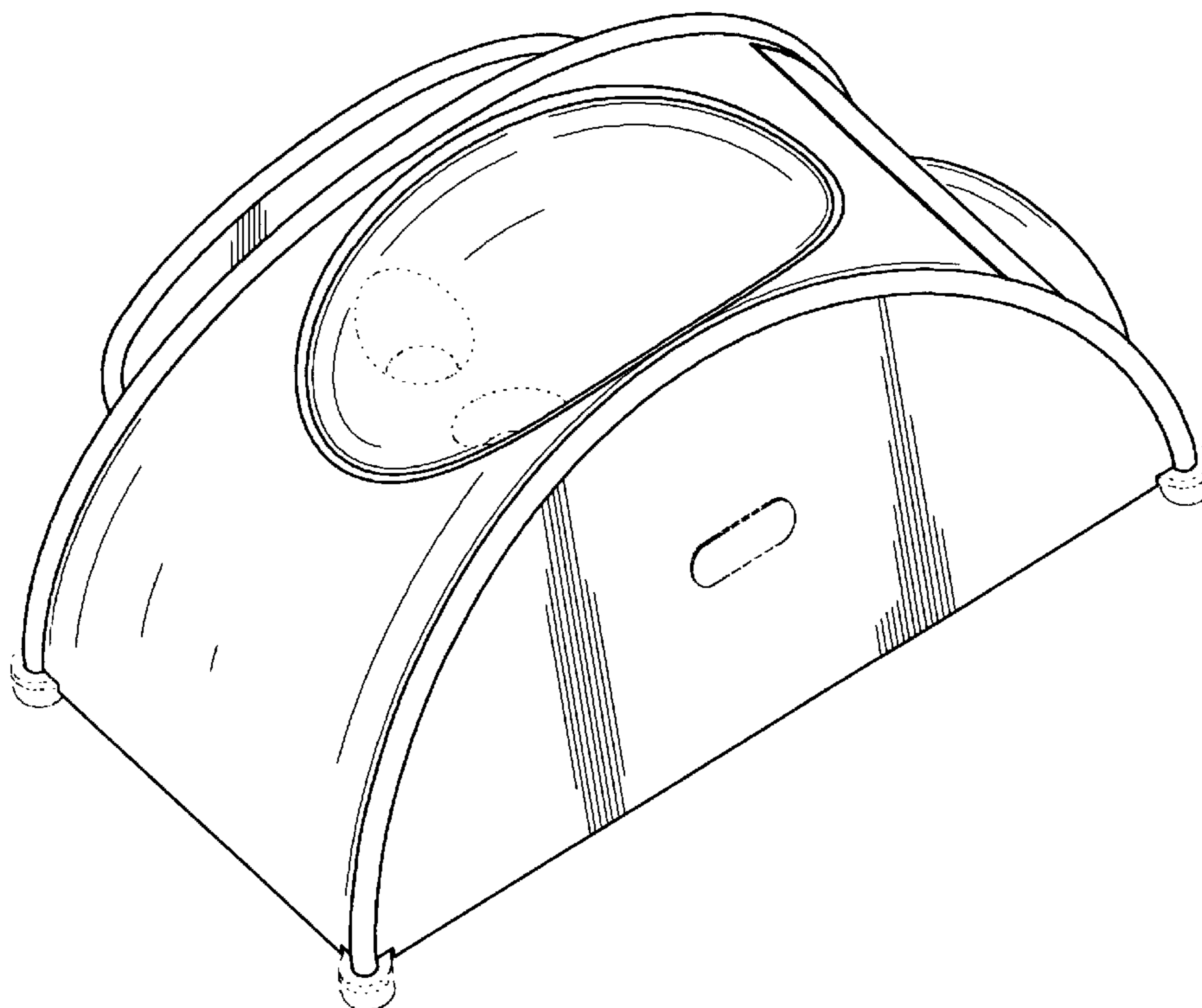
The ornamental design for a mixer stand, as shown and described.

DESCRIPTION

FIG. 1 is a right top front perspective view of a mixer stand; FIG. 2 is a front elevational view thereof; FIG. 3 is a right side elevational view thereof; FIG. 4 is a rear elevational view thereof; FIG. 5 is a left side elevational view thereof; and, FIG. 6 is a top plan view thereof.

The broken lines shown in the drawing is for illustrative purposes only and forms no part of the claimed design.

1 Claim, 6 Drawing Sheets



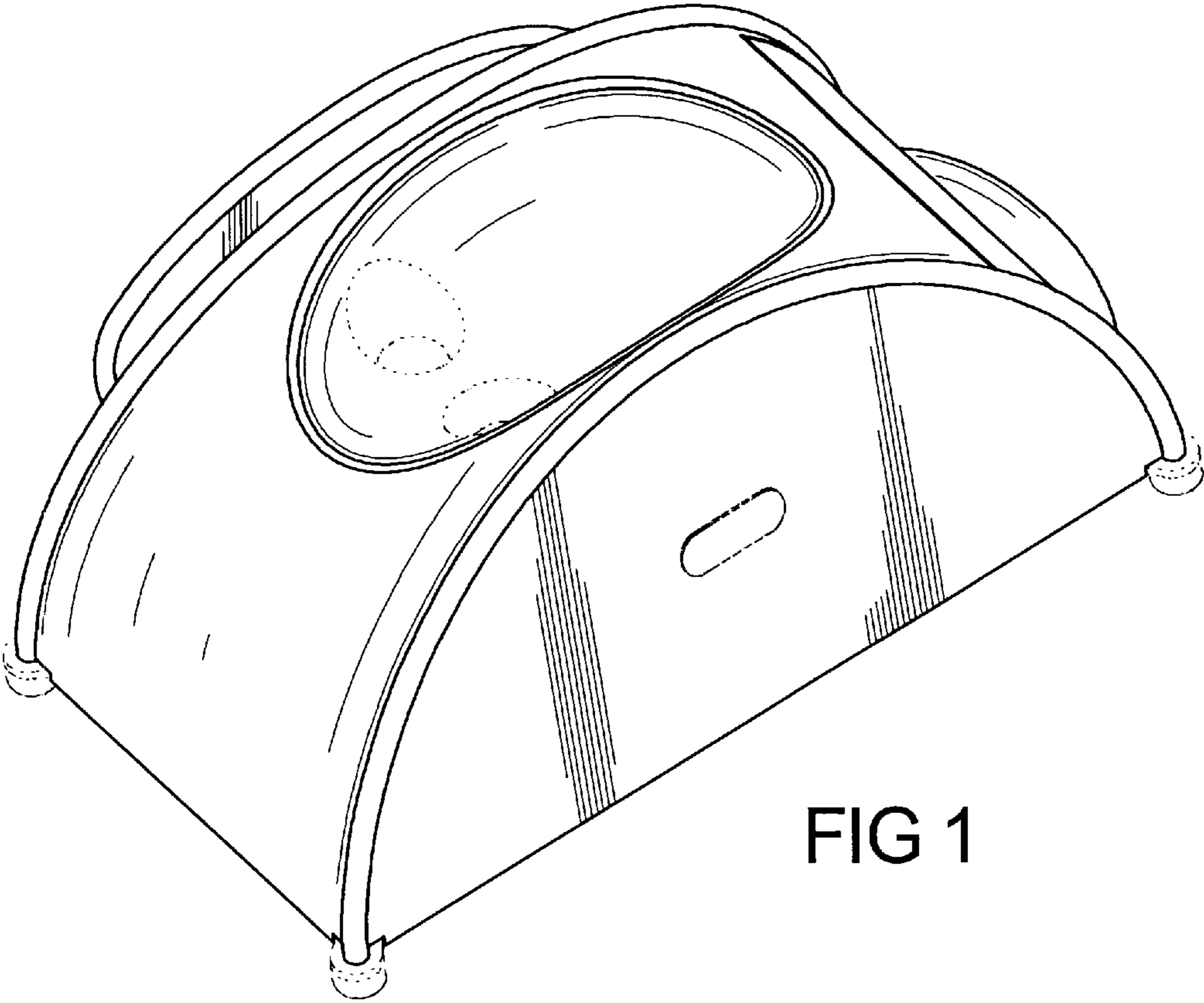


FIG 1

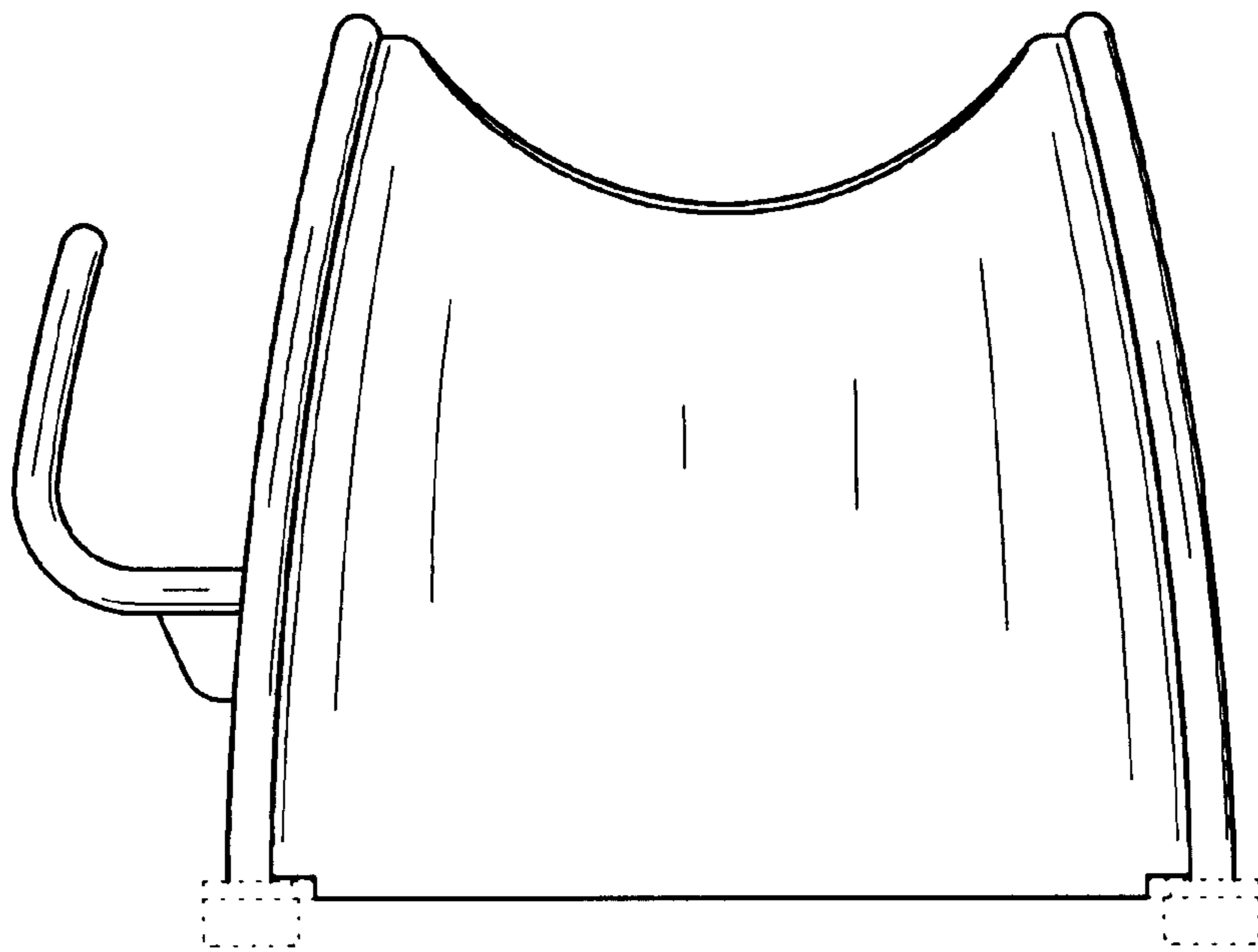


FIG 2

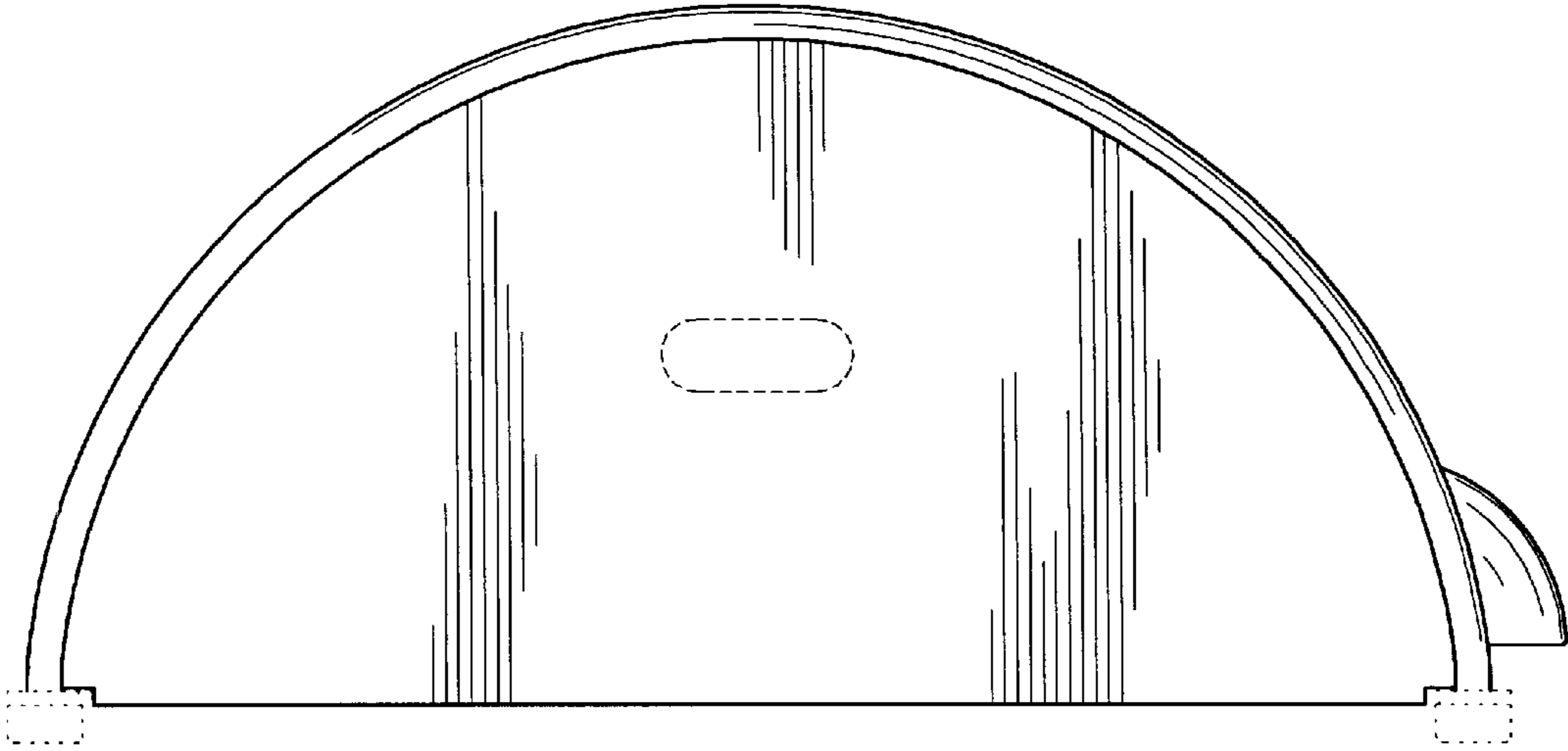


FIG 3

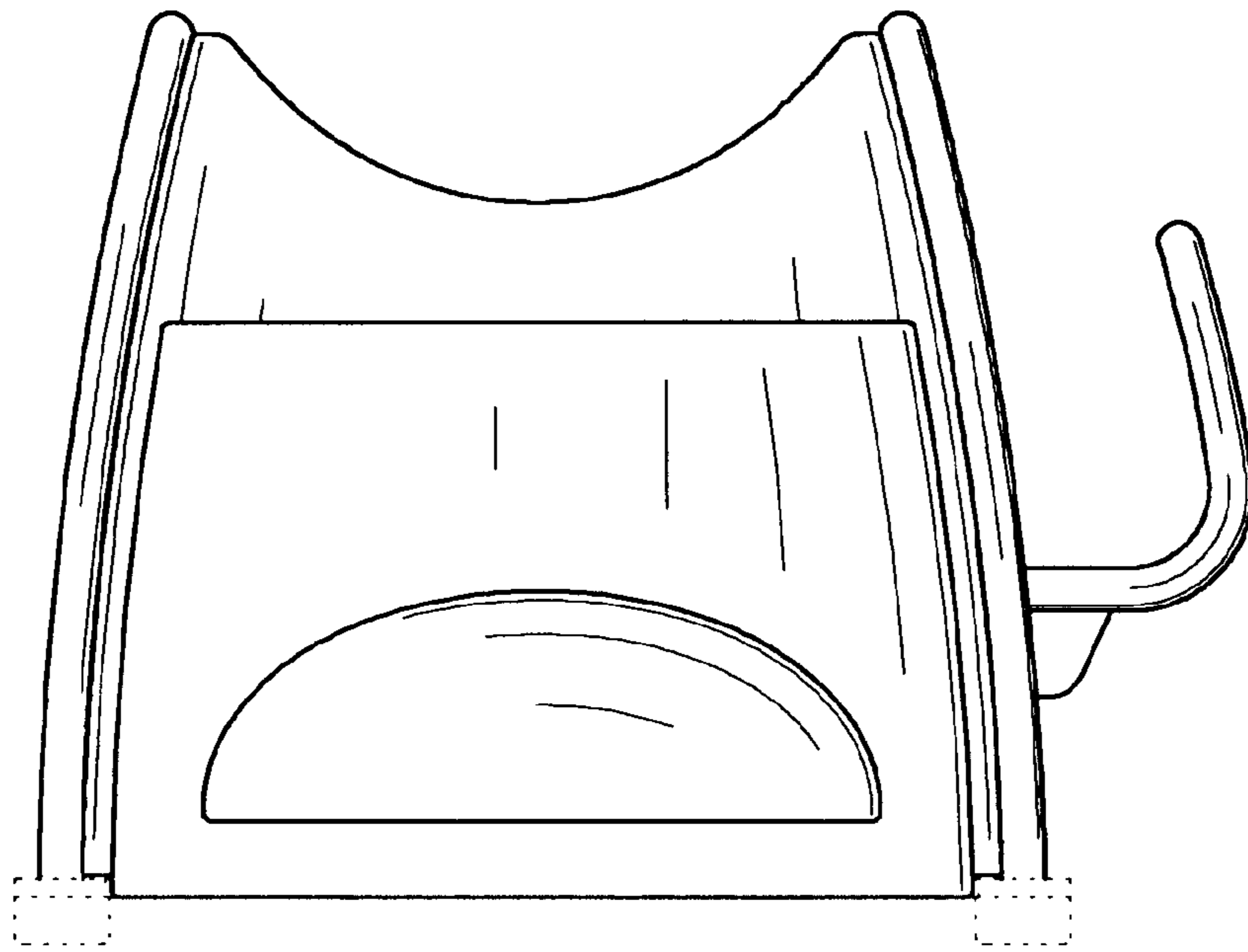


FIG 4

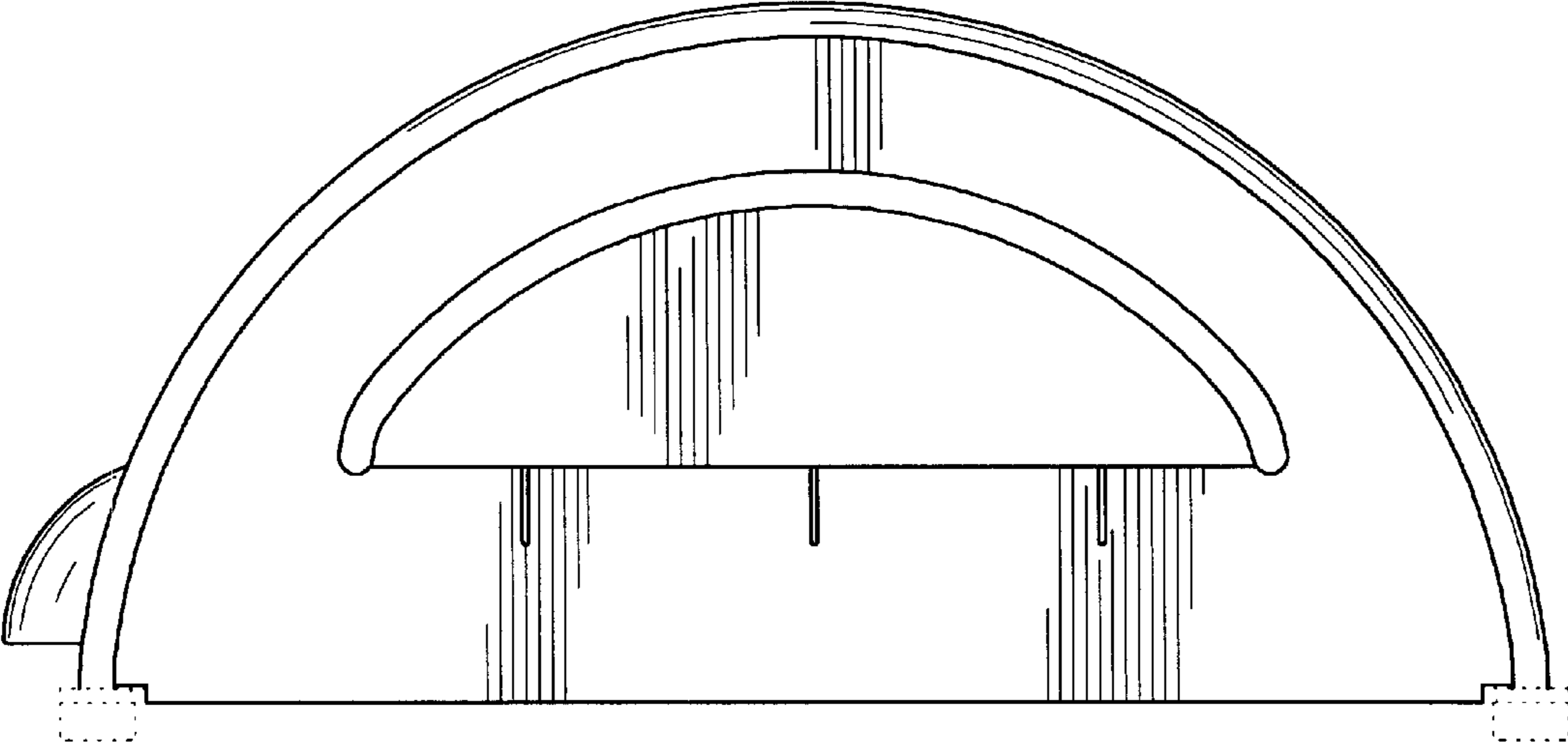


FIG 5

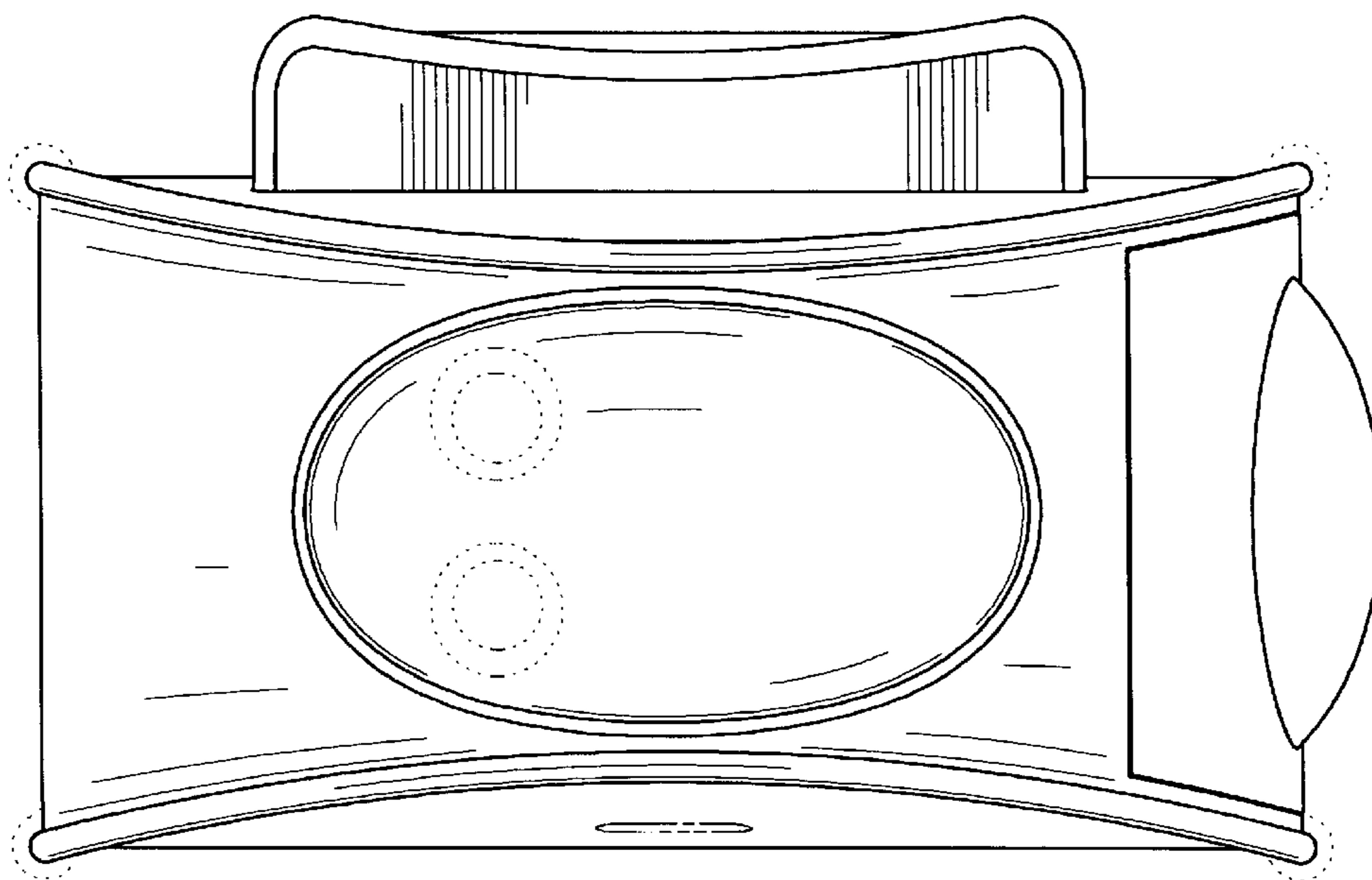


FIG 6