



US00D539597S

(12) **United States Design Patent**
Dreimann et al.

(10) **Patent No.:** **US D539,597 S**

(45) **Date of Patent:** **** *Apr. 3, 2007**

(54) **GRILL WITH BUN WARMER AND DRIP TRAY**

(75) Inventors: **Leonhard Dreimann**, Lake Forest, IL (US); **Guillaume Jean Since**, Kowloon (HK); **Bert Doornmalen**, Kowloon (HK)

(73) Assignee: **Salton, Inc.**, Lake Forest, IL (US)

(*) Notice: This patent is subject to a terminal disclaimer.

(**) Term: **14 Years**

(21) Appl. No.: **29/225,788**

(22) Filed: **Mar. 18, 2005**

(51) **LOC (8) Cl.** **07-02**

(52) **U.S. Cl.** **D7/352**

(58) **Field of Classification Search** D7/323, D7/328-332, 334-339, 352-363; 99/219, 99/331, 339, 349, 369, 372-375, 385, 386, 99/389, 425, 444, 446, 466, 601, 618, 620; 219/524, 525, 620-622, 732-734; D21/525
See application file for complete search history.

(56) **References Cited**

U.S. PATENT DOCUMENTS

D367,993 S	*	3/1996	McClean	D7/352
5,845,562 A	*	12/1998	Deni et al.	99/375
5,848,567 A	*	12/1998	Chiang	99/375
D405,312 S	*	2/1999	Hoare	D7/352
D413,760 S	*	9/1999	Tsai et al.	D7/352
6,016,741 A	*	1/2000	Tsai et al.	99/341
D446,074 S	*	8/2001	Barker	D7/352
D446,679 S	*	8/2001	Lin	D7/352

D450,977 S	*	11/2001	Lin	D7/352
6,397,733 B1	*	6/2002	Lin	99/375
D462,228 S	*	9/2002	Wu	D7/352
D462,229 S	*	9/2002	Wu	D7/352
D462,566 S	*	9/2002	Wu	D7/352
D463,950 S	*	10/2002	Wu	D7/352
D464,230 S	*	10/2002	Wu	D7/352
D473,417 S	*	4/2003	Martres	D7/352
D475,237 S	*	6/2003	Lin	D7/352
D493,663 S	*	8/2004	Lin et al.	D7/347
D494,407 S	*	8/2004	Lin et al.	D7/347
D509,704 S	*	9/2005	To	D7/352

* cited by examiner

Primary Examiner—Caron D. Veynar

Assistant Examiner—Ricky Pham

(74) *Attorney, Agent, or Firm*—Sonnenschein Nath & Rosenthal LLP

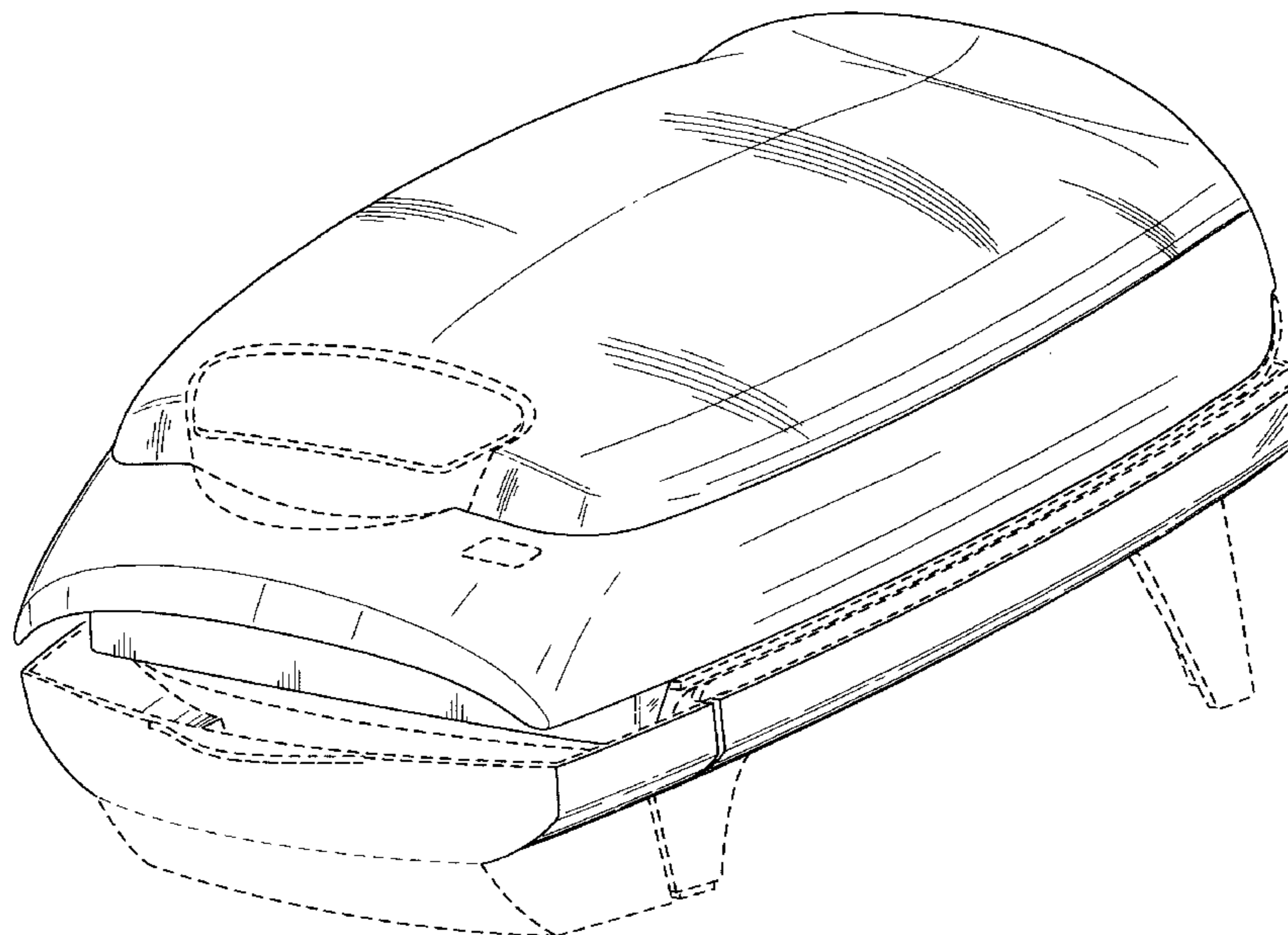
(57) **CLAIM**

The ornamental design for a grill with bun warmer and drip tray, as shown and described.

DESCRIPTION

FIG. 1 is a perspective view of a grill with bun warmer and drip tray embodying our new design; FIG. 2 is a right side elevational view thereof; the left side being a mirror image. FIG. 3 is a top plan view thereof; FIG. 4 is a front elevational view thereof; FIG. 5 is a perspective view thereof; FIG. 6 is a bottom perspective view thereof; and FIG. 7 is a front elevational view thereof with the top opened. The broken lines shown are for illustrative purposes only and form no part of the claimed design.

1 Claim, 6 Drawing Sheets



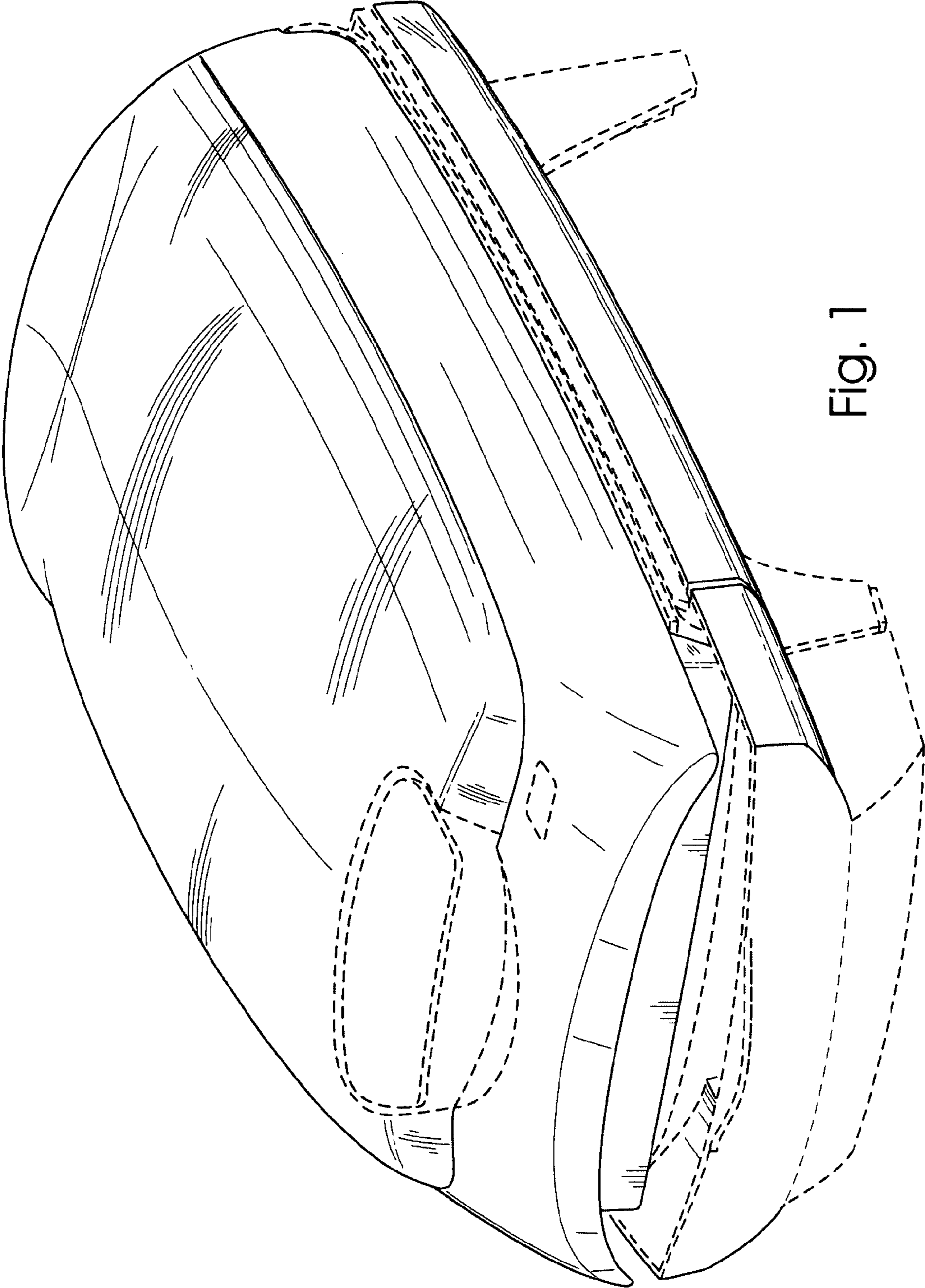


Fig. 1

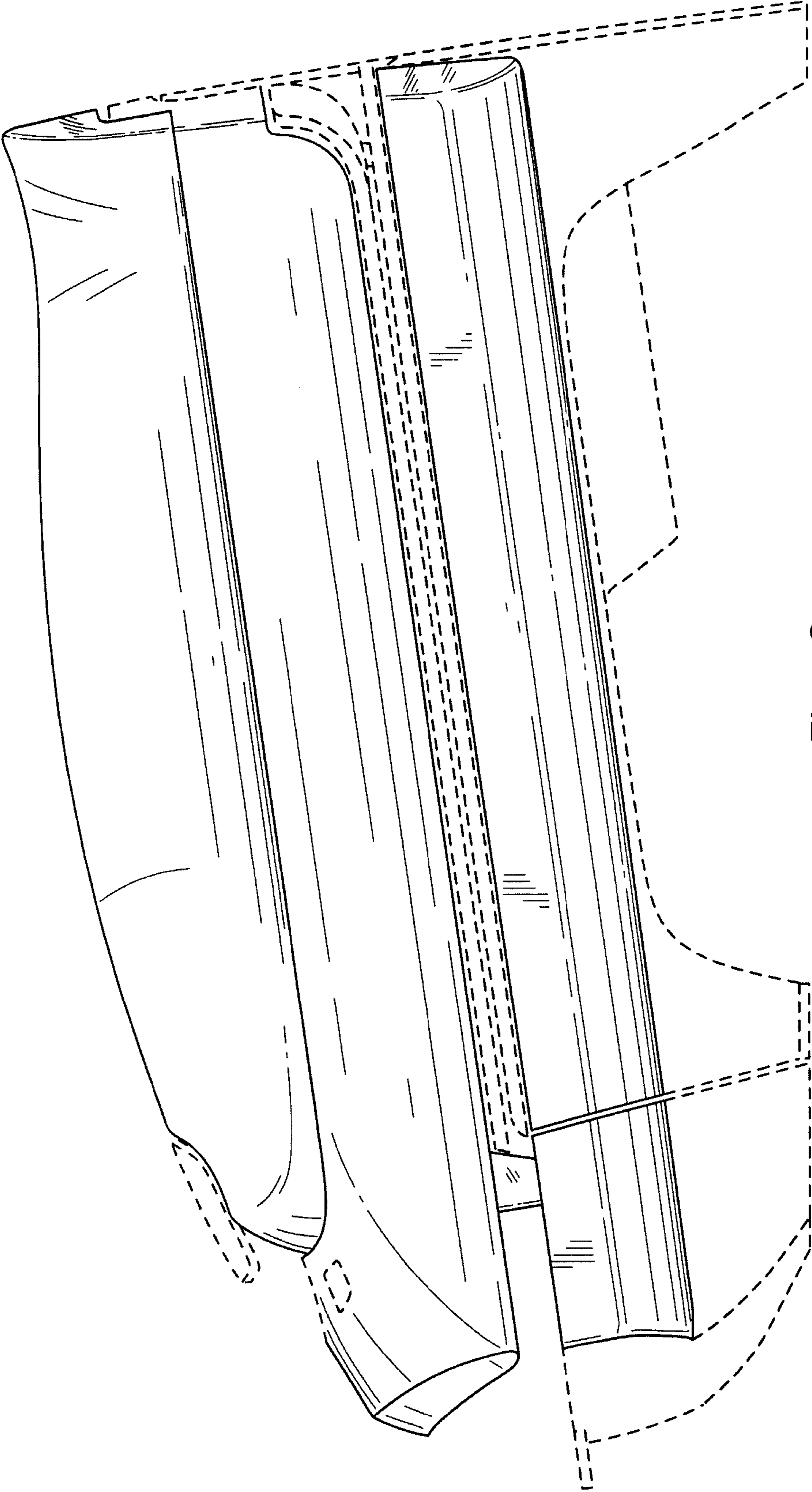


Fig. 2

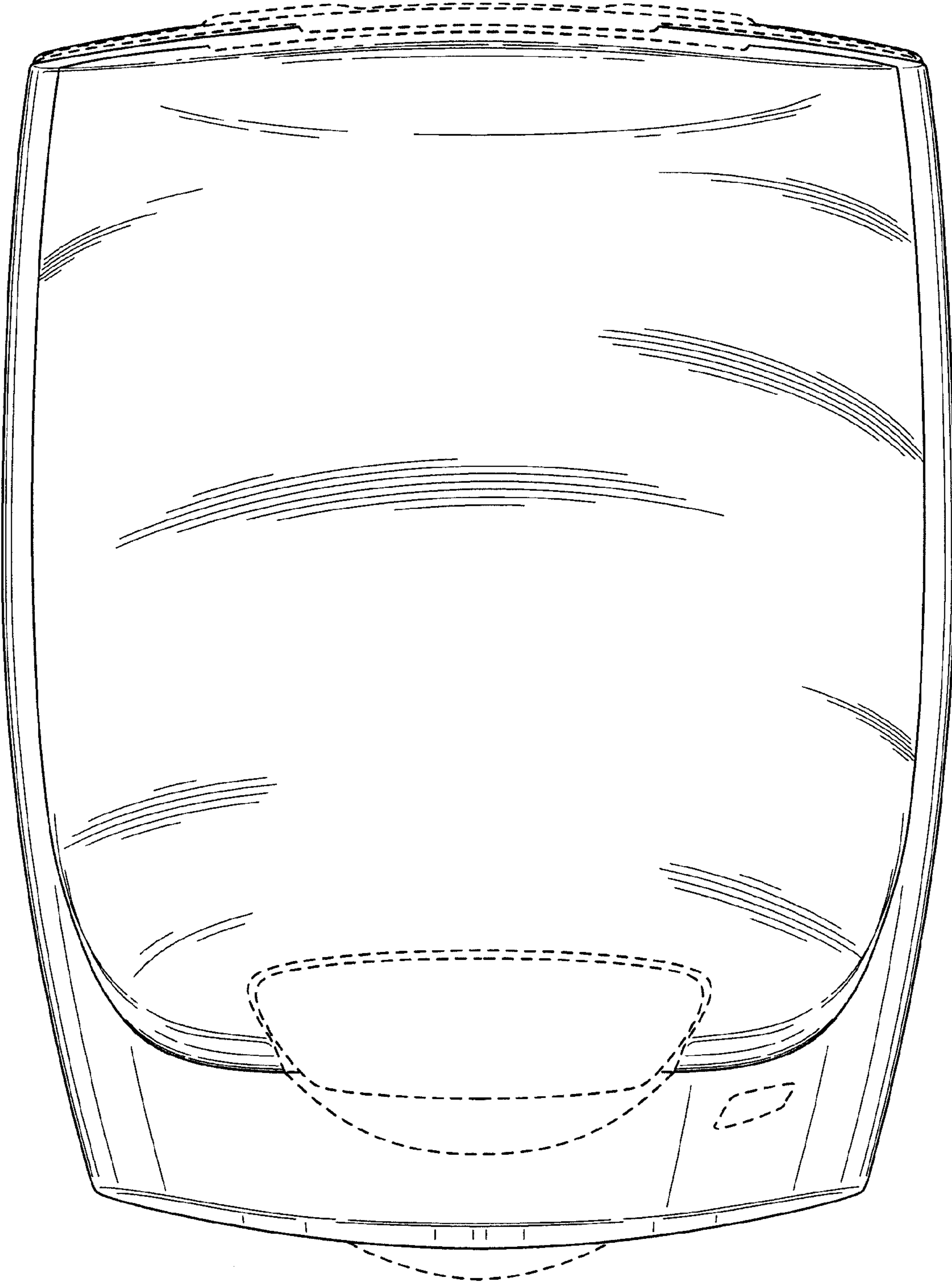


Fig. 3

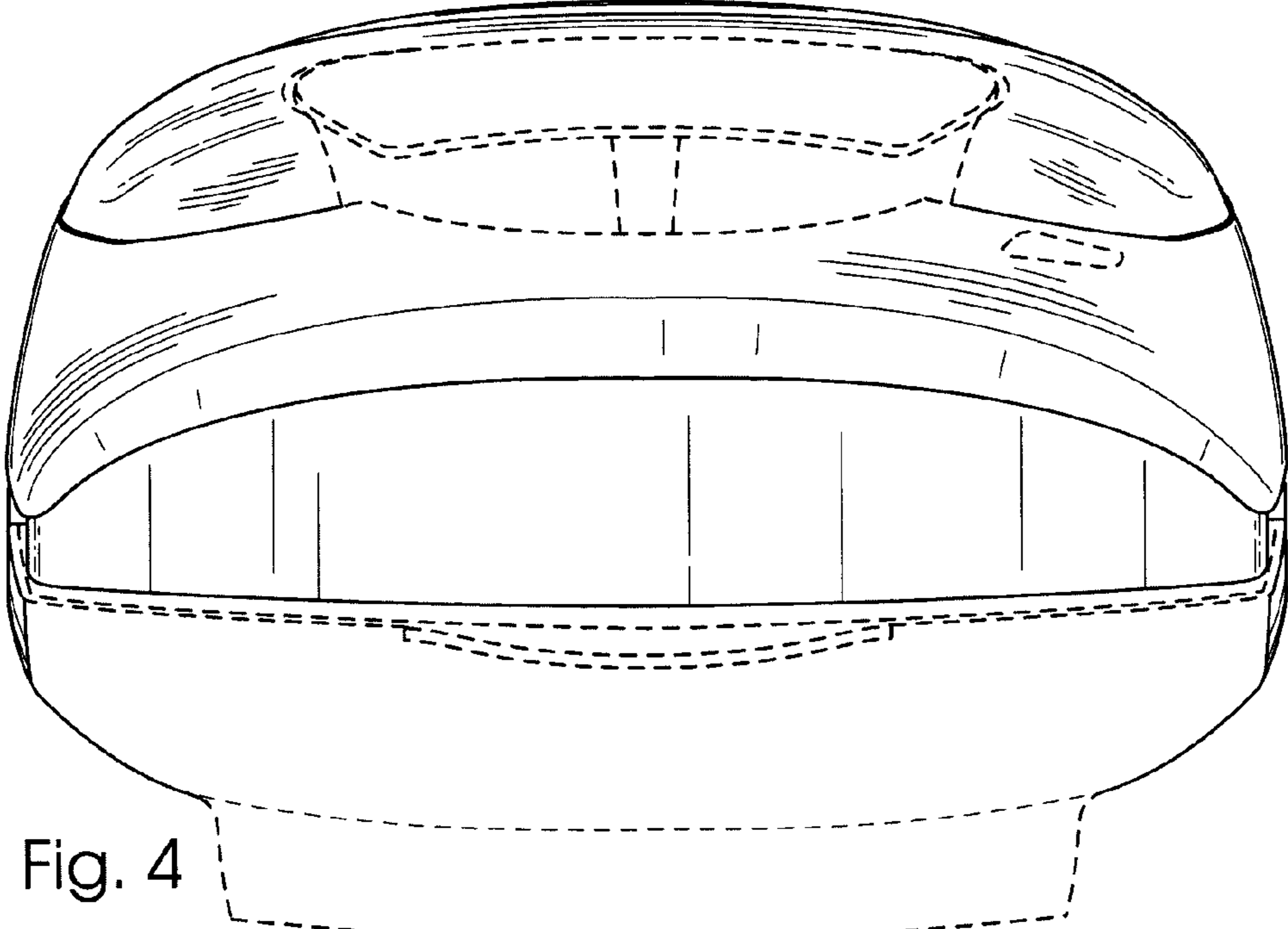


Fig. 4

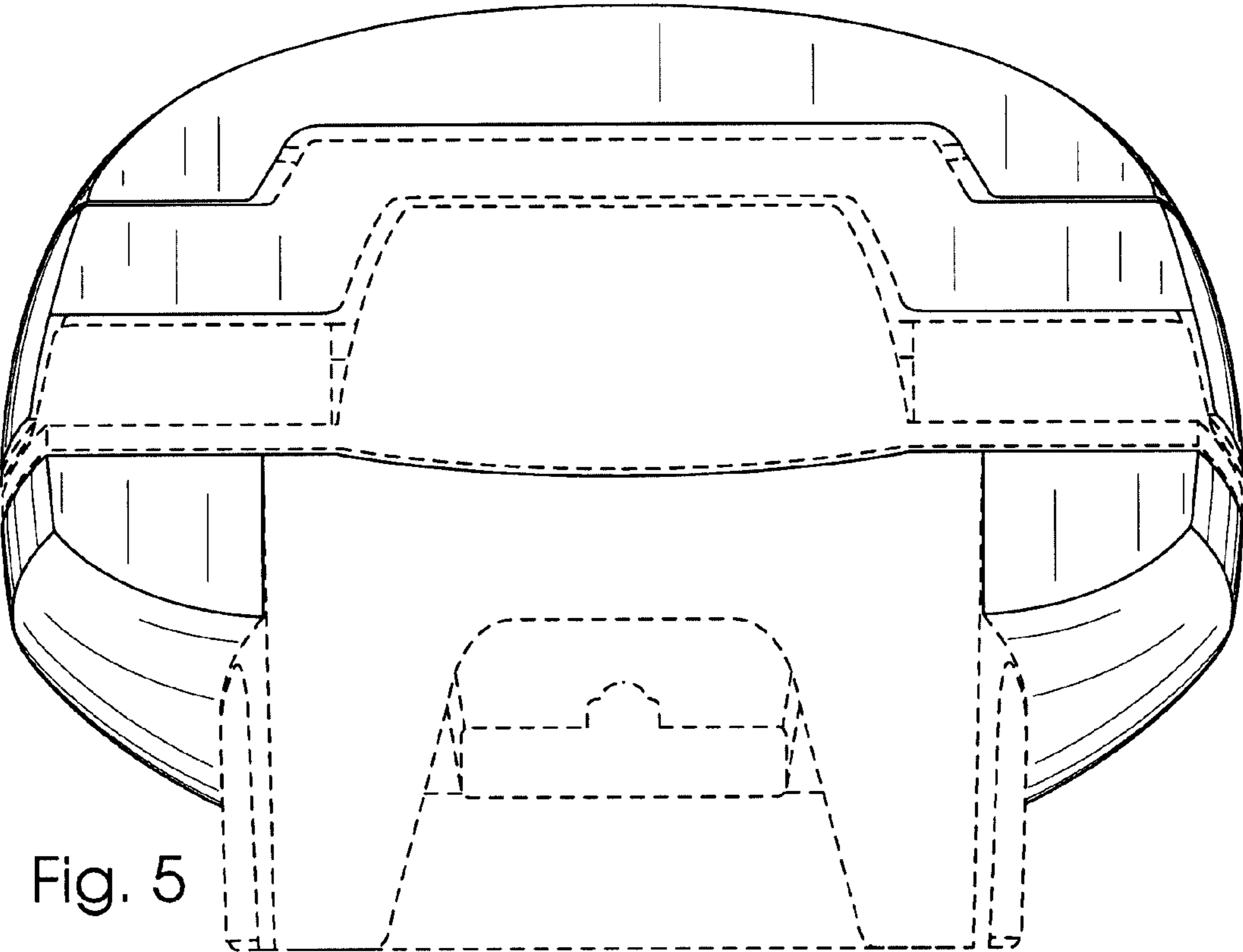


Fig. 5

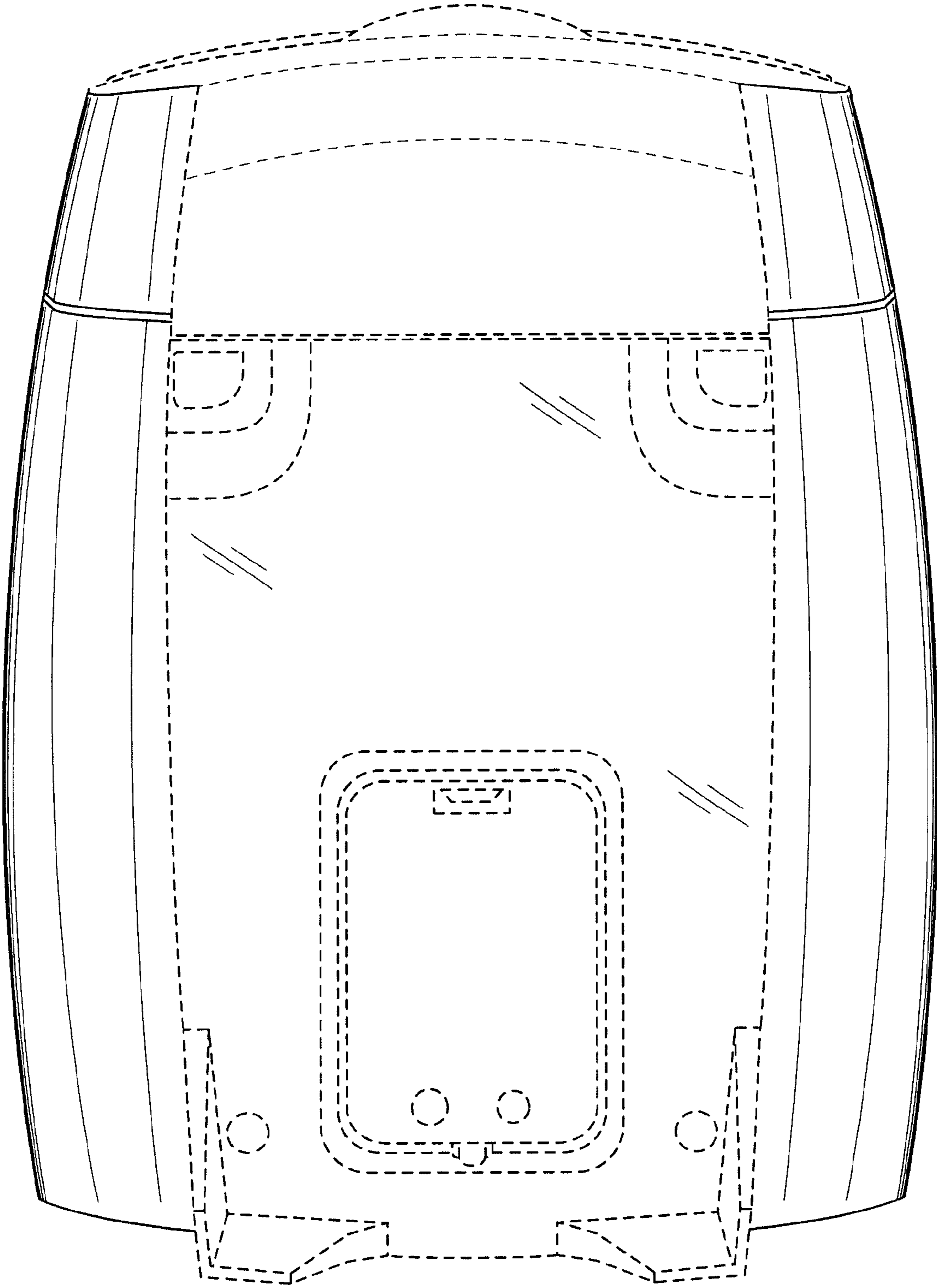


Fig. 6

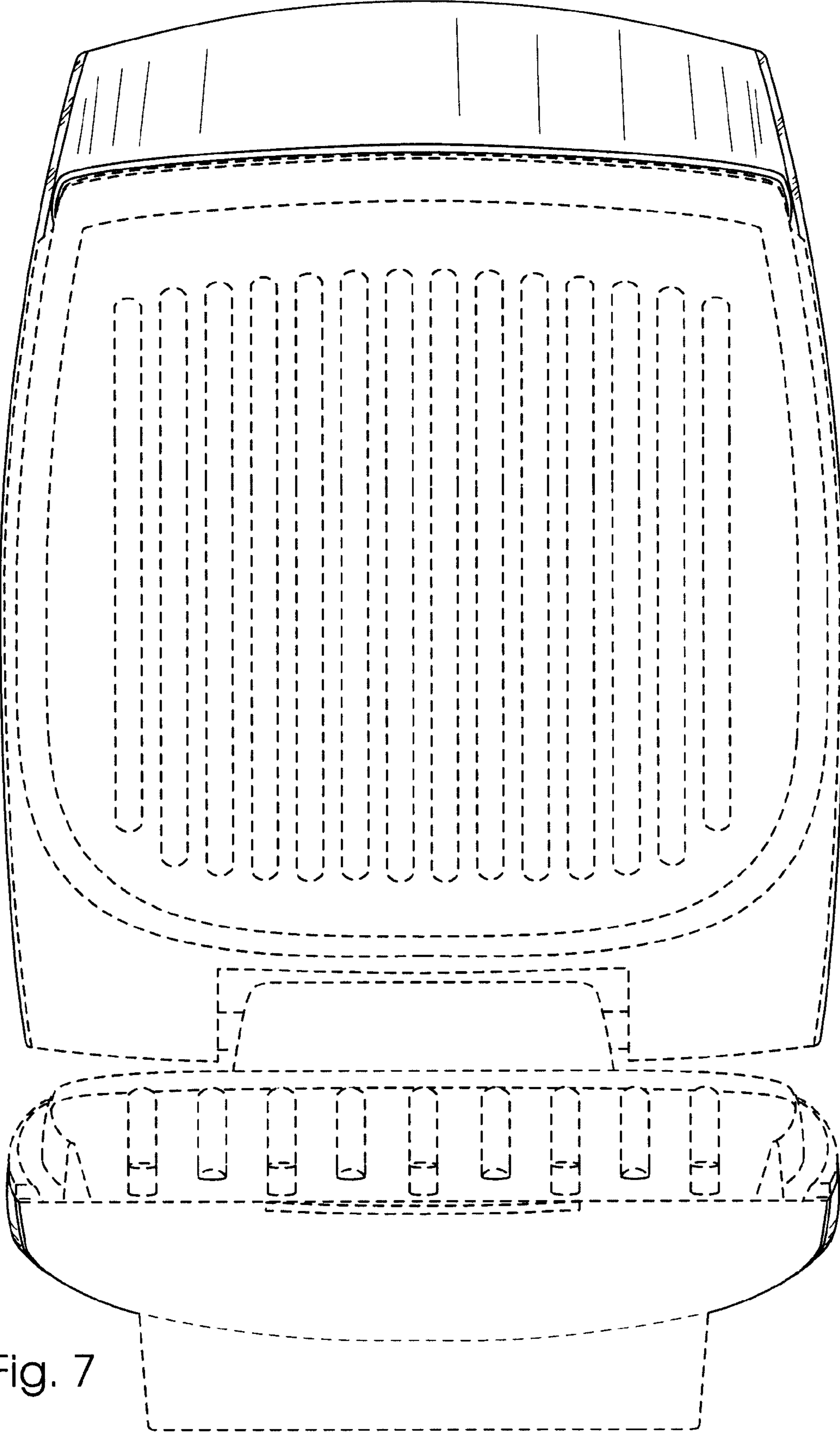


Fig. 7