



US00D539593S

(12) **United States Design Patent**  
**Wang**

(10) **Patent No.:** **US D539,593 S**

(45) **Date of Patent:** **\*\* Apr. 3, 2007**

(54) **STEAM OVEN**

(76) Inventor: **Ching-Hsiang Wang**, P.O. Box 90,  
Tainan City 70499 (TW)

(\*\*) Term: **14 Years**

(21) Appl. No.: **29/254,797**

(22) Filed: **Mar. 1, 2006**

(51) **LOC (8) Cl.** ..... **07-02**

(52) **U.S. Cl.** ..... **D7/350.4**

(58) **Field of Classification Search** ..... D7/350.1,  
D7/350.3, 350.4, 351, 402-403, 405-406;  
126/19 M, 275 E, 273 A; 219/756-758, 391,  
219/402, 393; 99/476, DIG. 14  
See application file for complete search history.

(56) **References Cited**

**U.S. PATENT DOCUMENTS**

D304,281 S	*	10/1989	Naito et al.	.....	D7/351
D305,596 S	*	1/1990	Nishibori	.....	D7/351
D305,856 S	*	2/1990	Iwahashi	.....	D7/351
D313,919 S	*	1/1991	Naito et al.	.....	D7/351
D329,569 S	*	9/1992	Ichihara et al.	.....	D7/351

D330,144 S	*	10/1992	Takebata et al.	.....	D7/351
D359,415 S	*	6/1995	van Berlo	.....	D7/351
D386,353 S	*	11/1997	Fujimoto et al.	.....	D7/351
D413,041 S	*	8/1999	Lin-Yun	.....	D7/350.4
D468,579 S	*	1/2003	Sakai et al.	.....	D7/351
D525,477 S	*	7/2006	Kim	.....	D7/351
D527,572 S	*	9/2006	Lee et al.	.....	D7/350.1

\* cited by examiner

*Primary Examiner*—Ruth McInroy

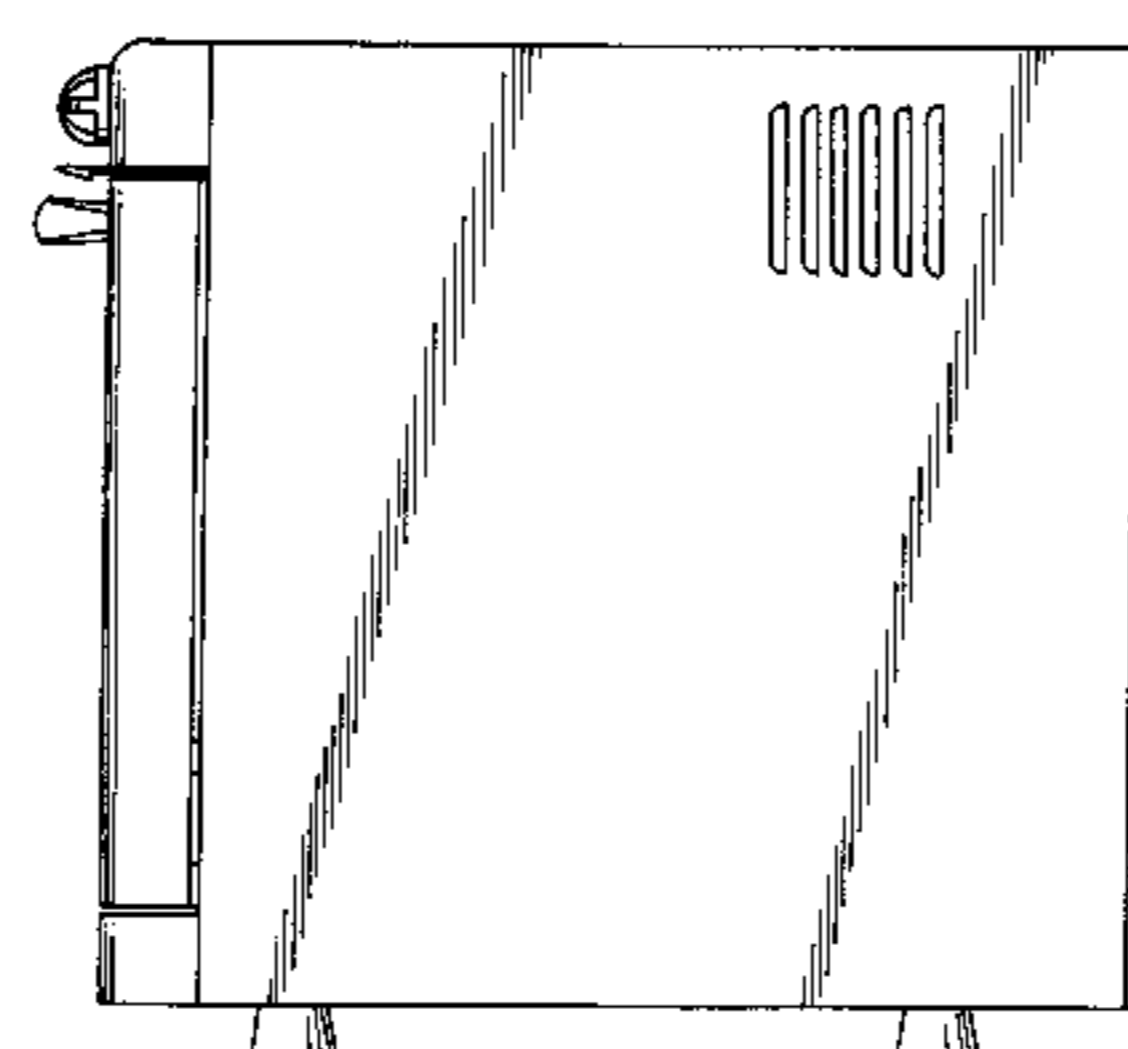
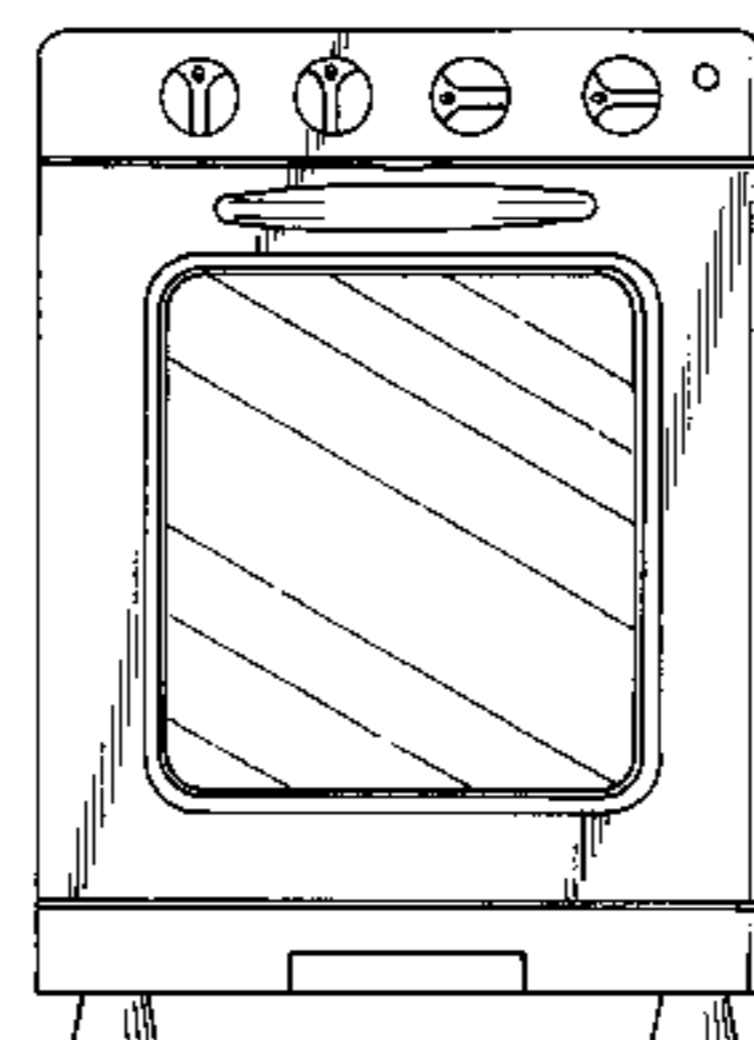
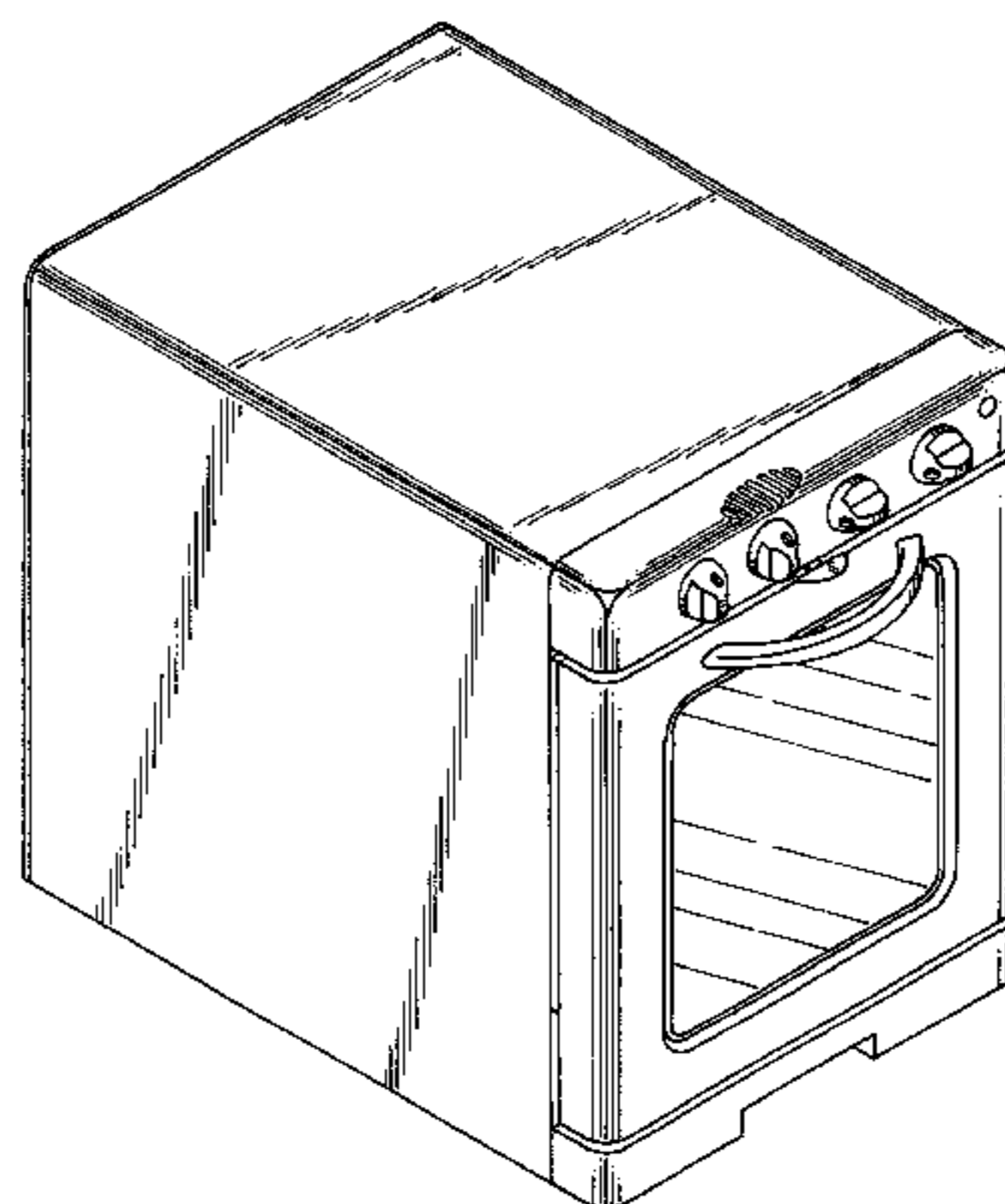
(57) **CLAIM**

The ornamental design for a steam oven, as shown and described.

**DESCRIPTION**

FIG. 1 is a perspective view of a steam oven showing my design;  
FIG. 2 is a front elevational view thereof;  
FIG. 3 is a rear elevational view thereof;  
FIG. 4 is a left side elevational view thereof;  
FIG. 5 is a right side elevational view thereof;  
FIG. 6 is a top plan view thereof; and,  
FIG. 7 is a bottom plan view thereof.

**1 Claim, 7 Drawing Sheets**



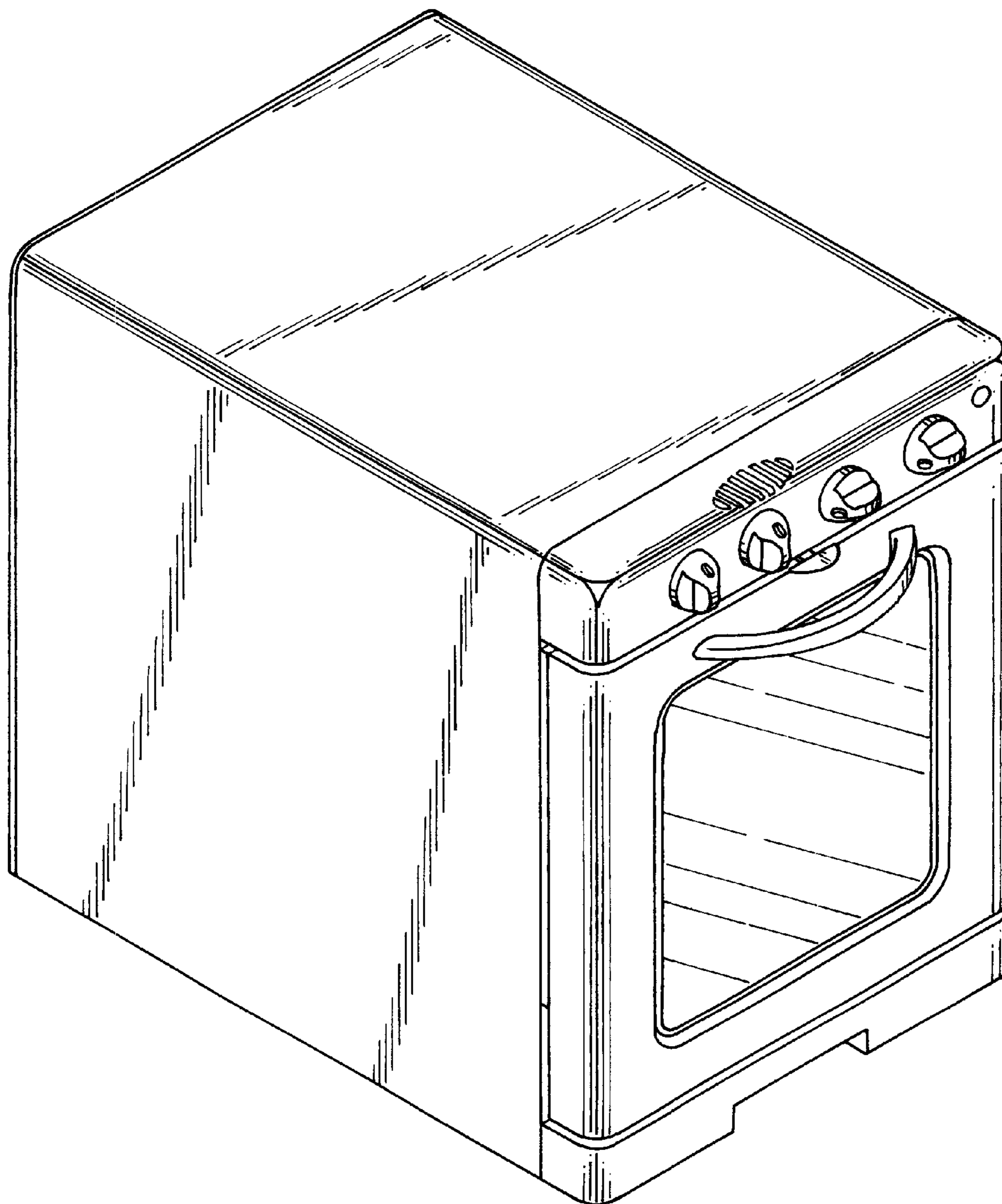


FIG.1

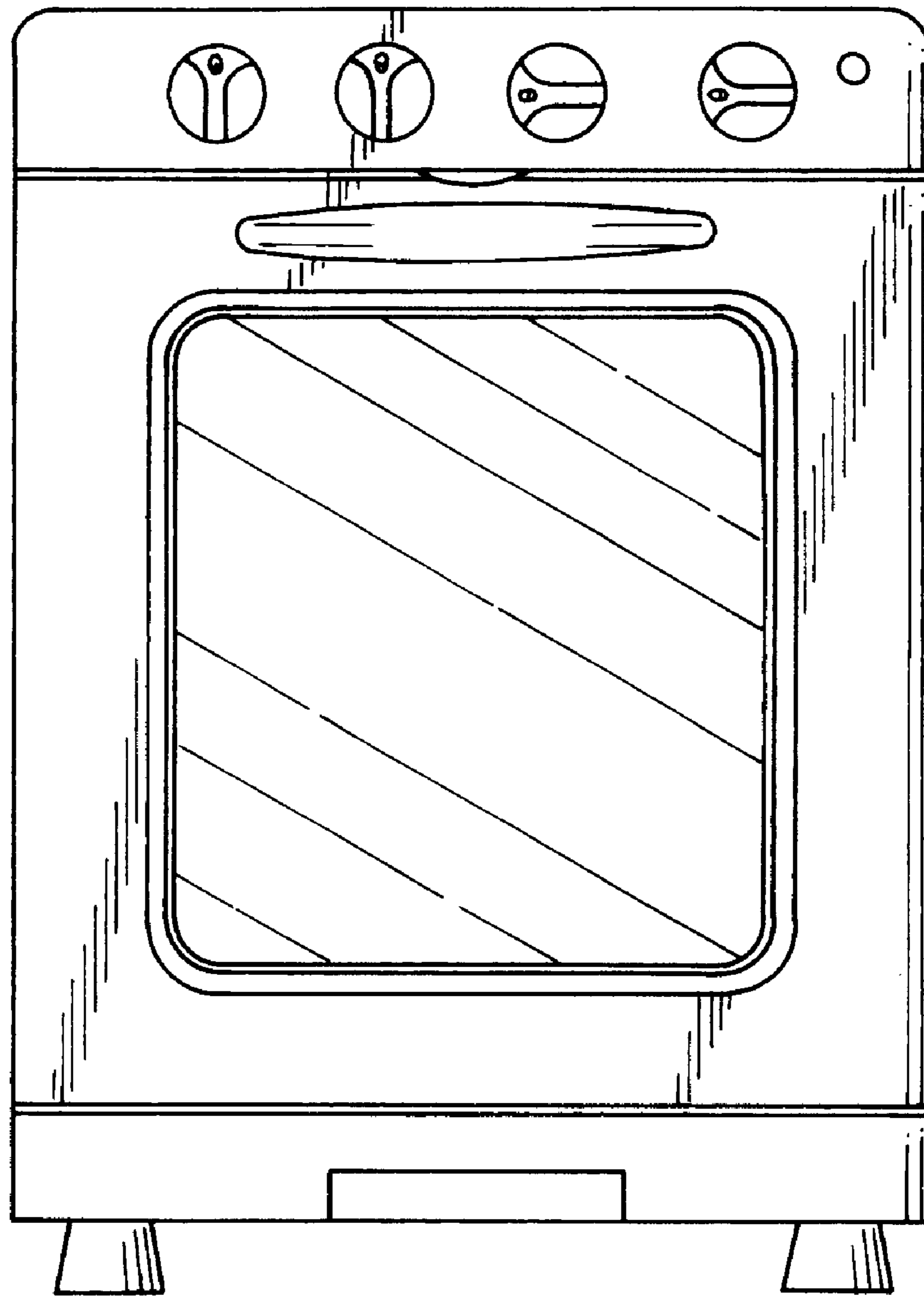


FIG.2

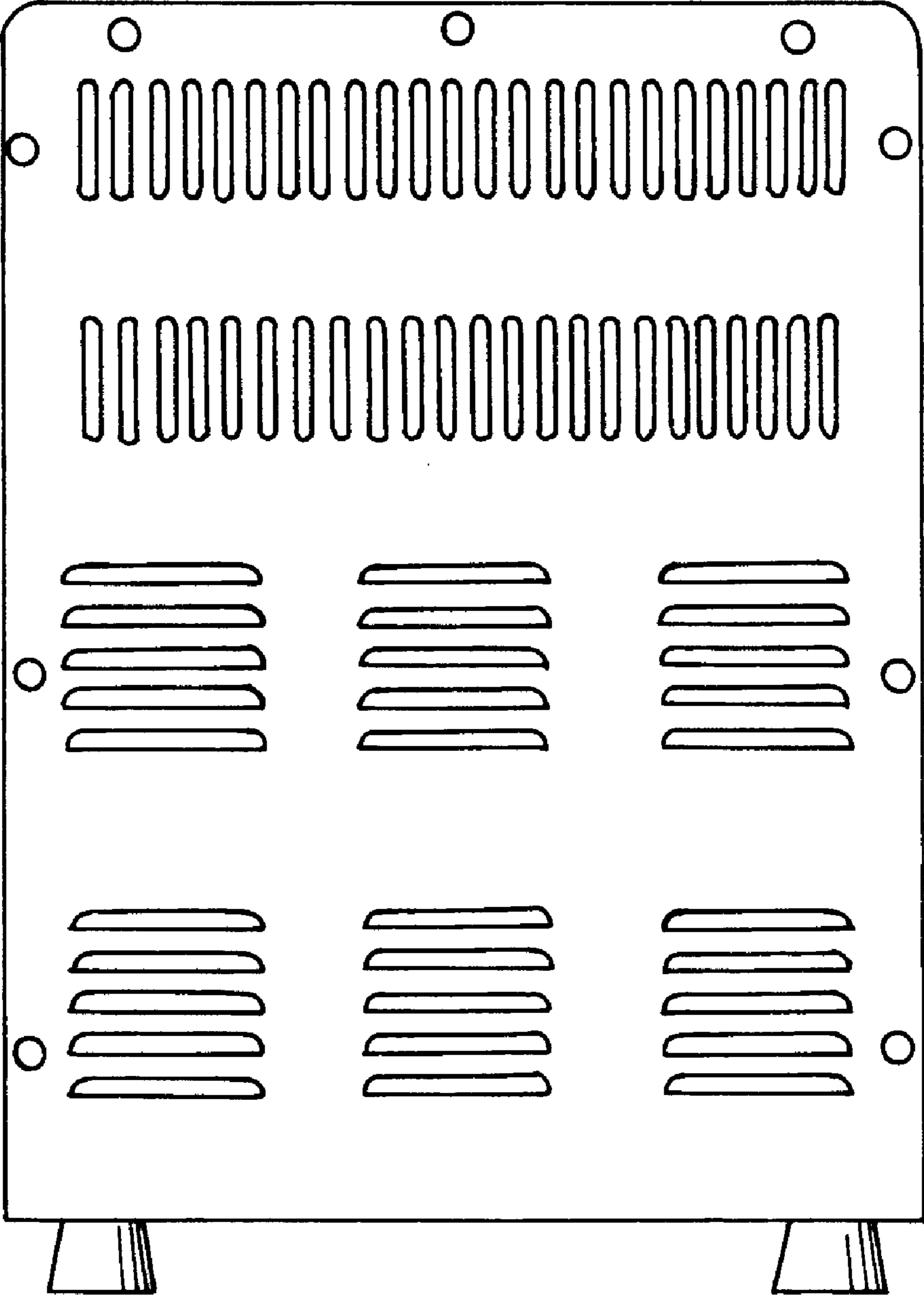


FIG.3

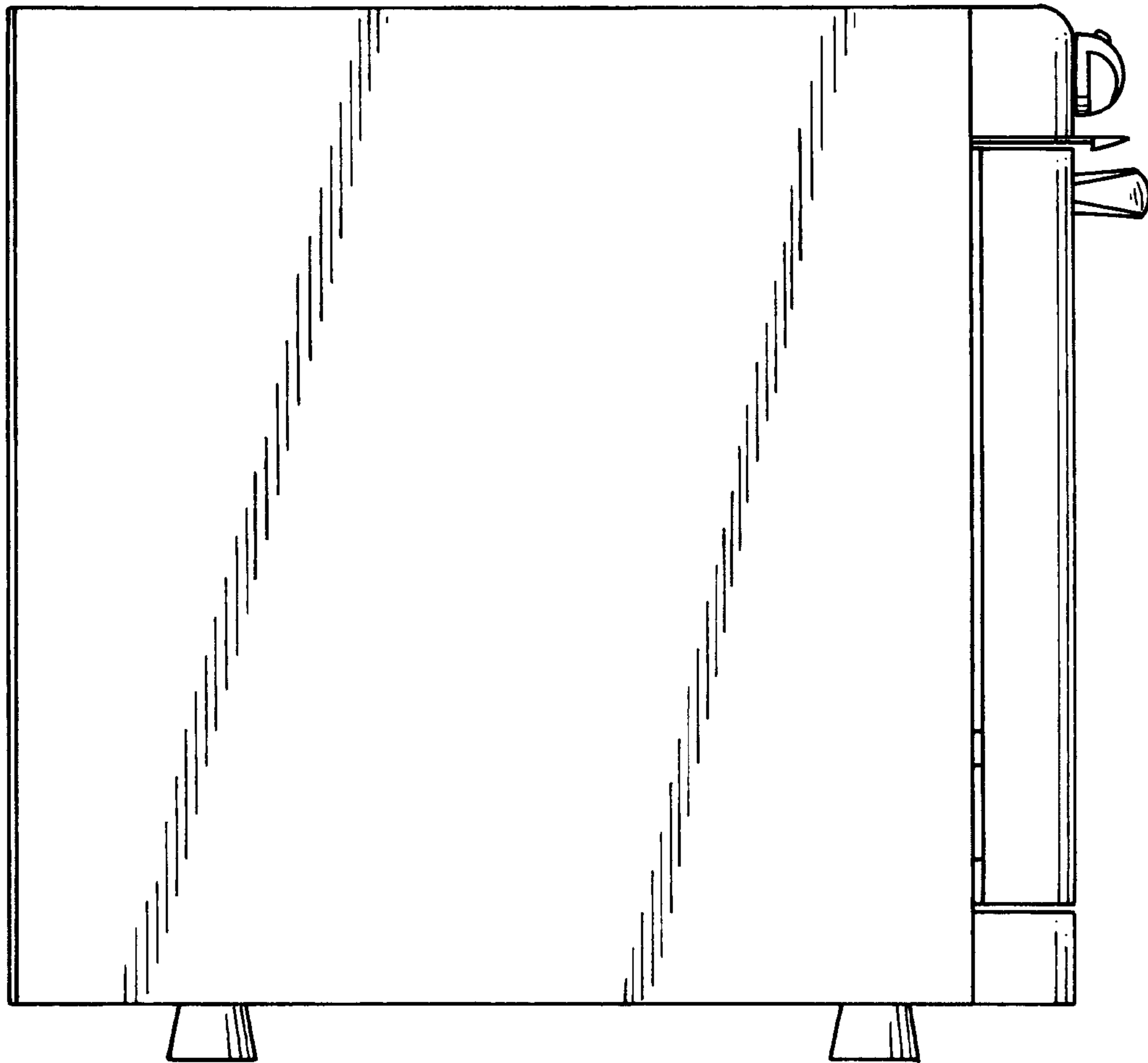


FIG.4

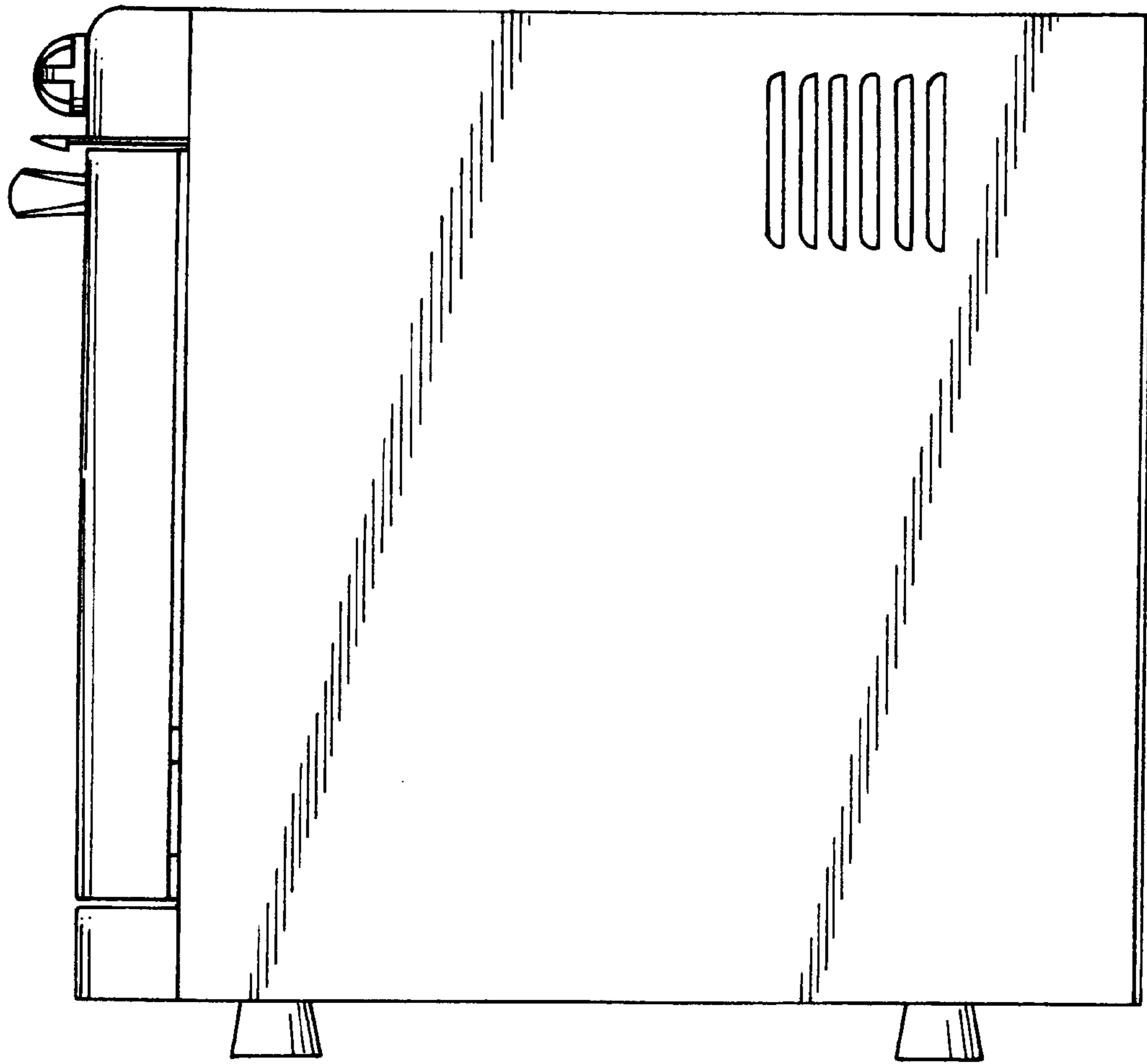


FIG.5

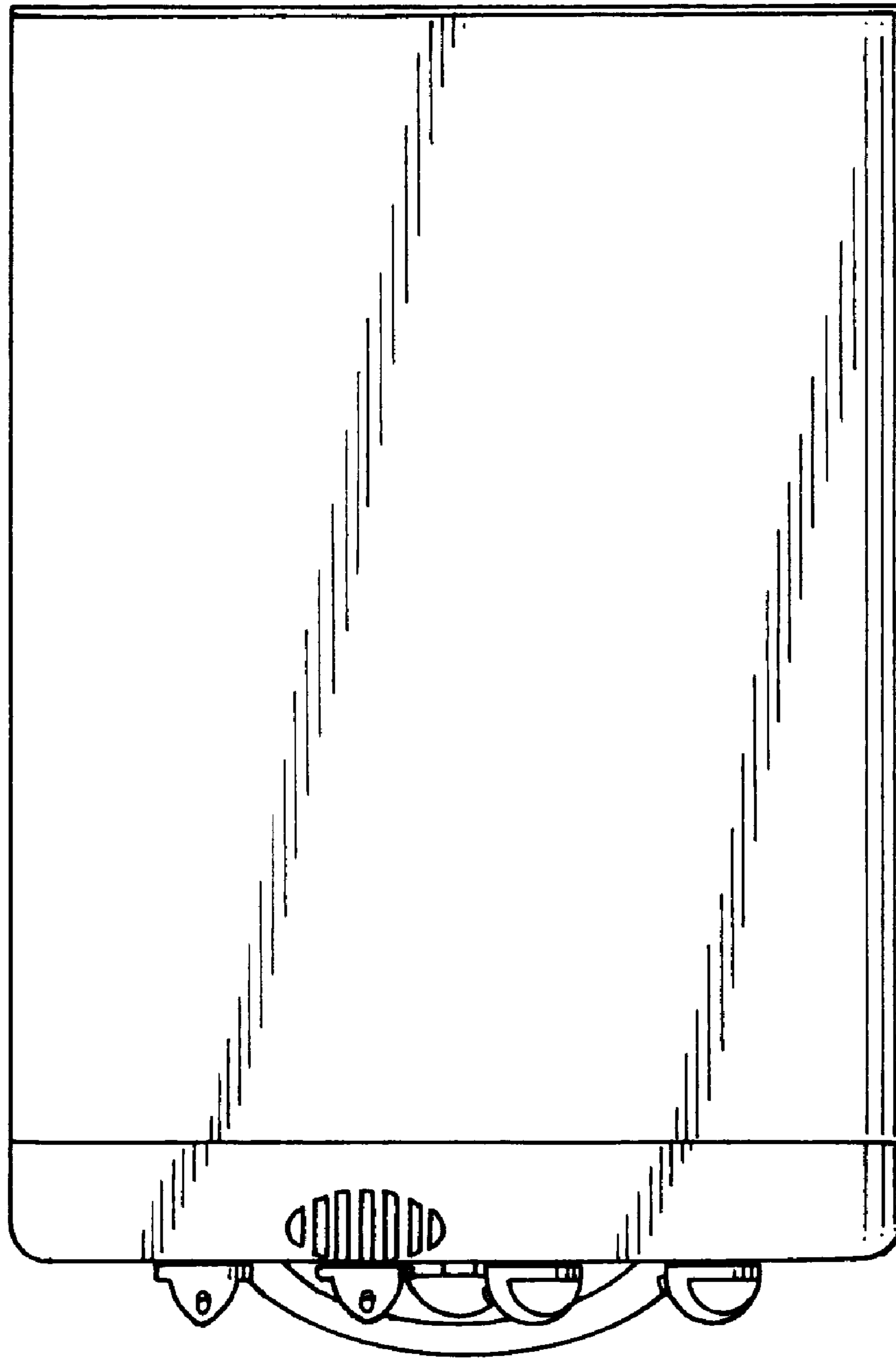


FIG. 6

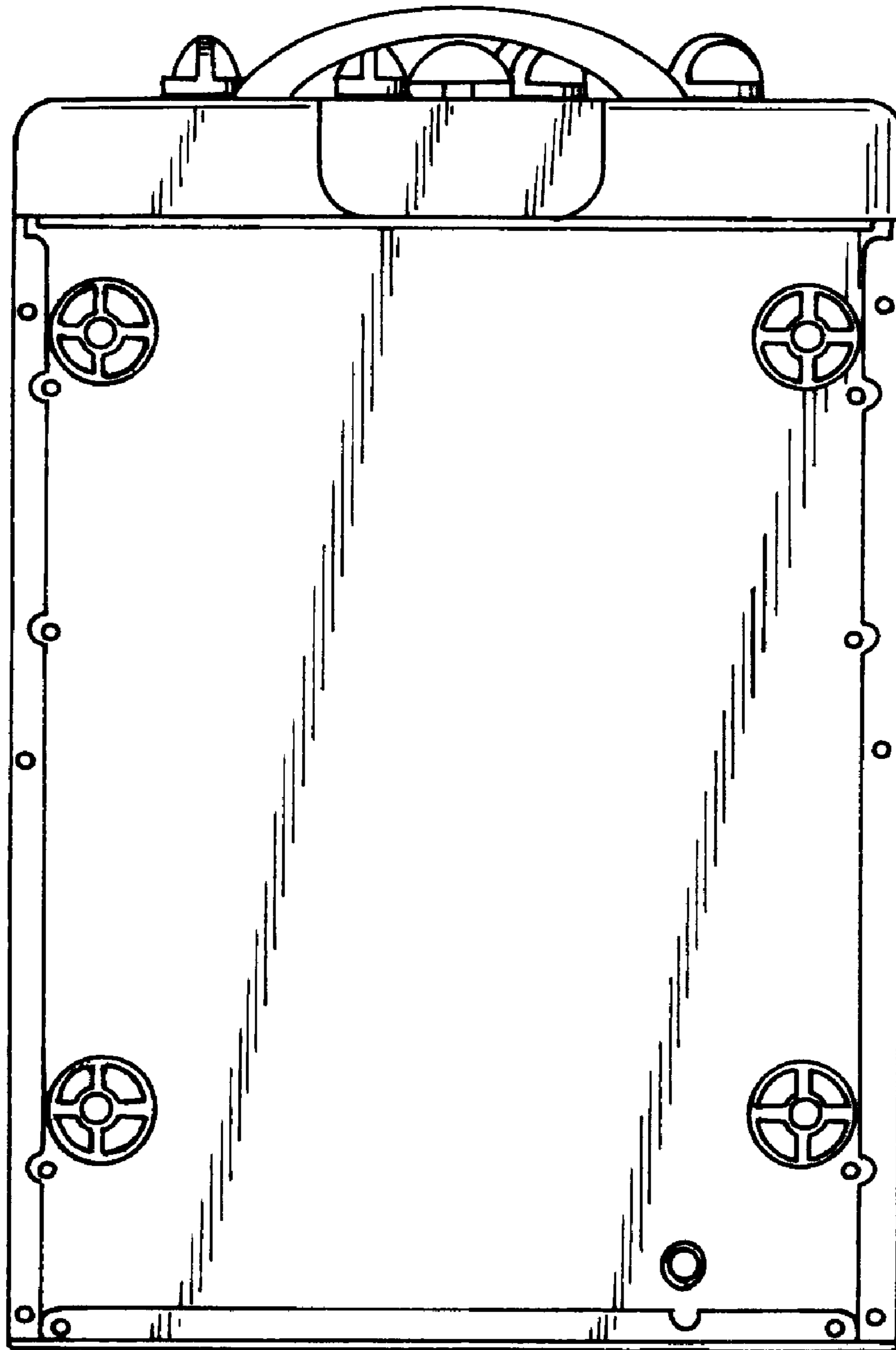


FIG. 7