



US00D539590S

(12) **United States Design Patent**
Henderson

(10) **Patent No.:** **US D539,590 S**

(45) **Date of Patent:** **** Apr. 3, 2007**

(54) **TEA POT**

(75) Inventor: **Scott A. Henderson**, Brooklyn, NY
(US)

(73) Assignee: **Lentrade, Inc.**, Houston, TX (US)

(**) Term: **14 Years**

(21) Appl. No.: **29/223,157**

(22) Filed: **Feb. 10, 2005**

(51) **LOC (8) Cl.** **07-01**

(52) **U.S. Cl.** **D7/322; D7/321; D7/312**

(58) **Field of Classification Search** D7/312,
D7/321, 300, 322; 116/67 R; 222/465.1,
222/481; 220/212.5, 765, 481; 446/479, 175
See application file for complete search history.

(56) **References Cited**

U.S. PATENT DOCUMENTS

D105,127 S	*	6/1937	Morgan	D7/321
D110,170 S	*	6/1938	Brindley	D7/312
D151,239 S	*	10/1948	Hingelberg	D7/321
D177,437 S	*	4/1956	Schreckengost	D7/322
D178,658 S	*	9/1956	Guild	D7/321
D192,016 S	*	1/1962	Crouheim	D7/322
D218,635 S	*	9/1970	Lax	D7/322
D219,165 S	*	11/1970	Gropius	D7/322

D295,941 S	*	5/1988	Wiinblad	D7/321
D362,991 S	*	10/1995	Blanc	D7/312
D381,239 S	*	7/1997	Chen	D7/322
D478,243 S	*	8/2003	Lebowitz	D7/322
D478,768 S	*	8/2003	Belton	D7/322
D511,648 S	*	11/2005	Henderson	D7/397
D524,590 S	*	7/2006	Bodum	D7/321
D526,830 S	*	8/2006	Goulart	D7/322

* cited by examiner

Primary Examiner—M. N. Pandozzi

(74) *Attorney, Agent, or Firm*—Streets & Steele; Patrick K. Steele

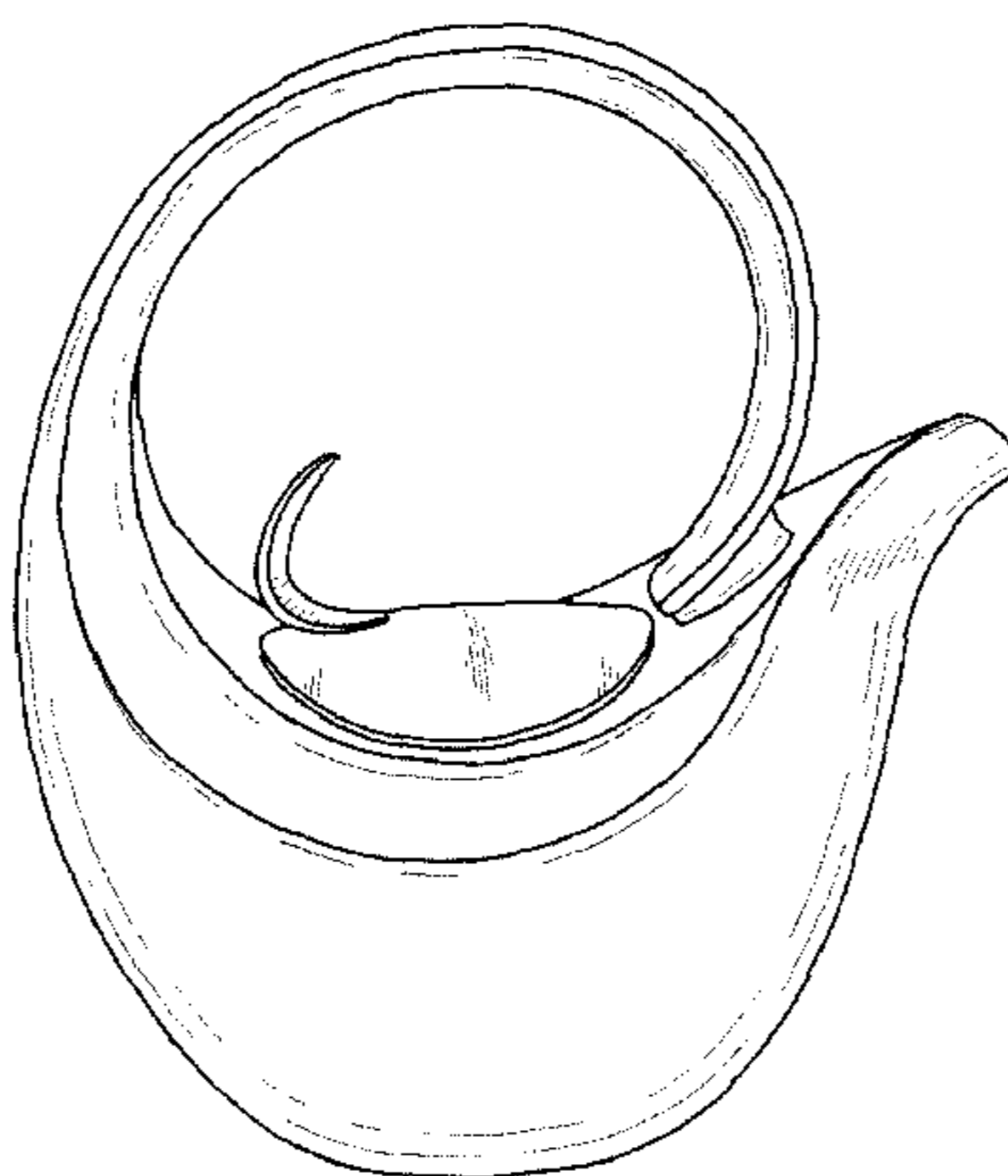
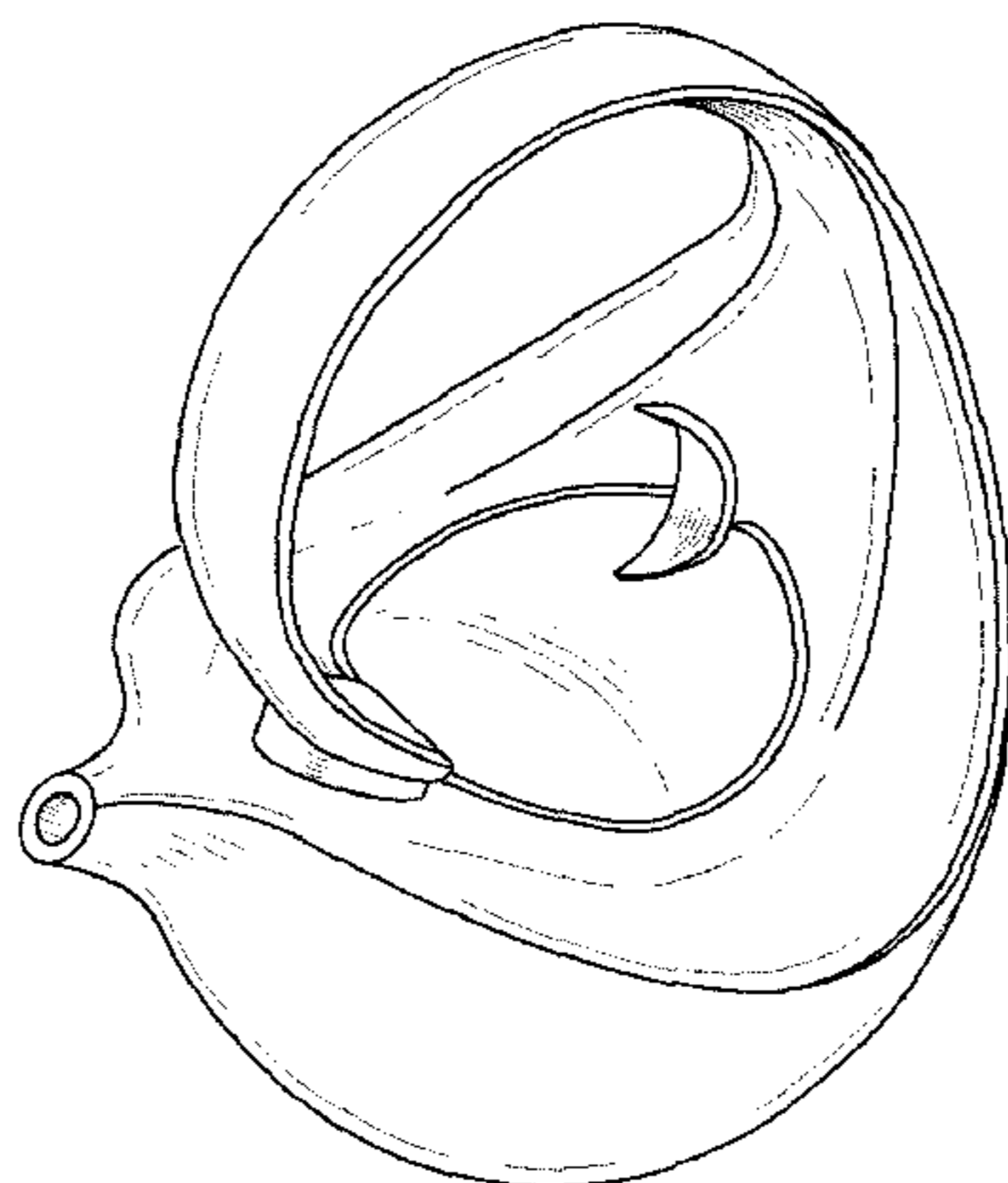
(57) **CLAIM**

The ornamental design for a tea pot, as shown.

DESCRIPTION

FIG. 1 is a front perspective view of the tea pot, showing my new design;
FIG. 2 is a side elevational view thereof, the opposite side of which is an identical mirror image;
FIG. 3 is a front elevational view thereof;
FIG. 4 is a rear elevational view thereof;
FIG. 5 is a top plan view thereof;
FIG. 6 is a bottom plan view thereof; and,
FIG. 7 is a bottom perspective view thereof.

1 Claim, 3 Drawing Sheets



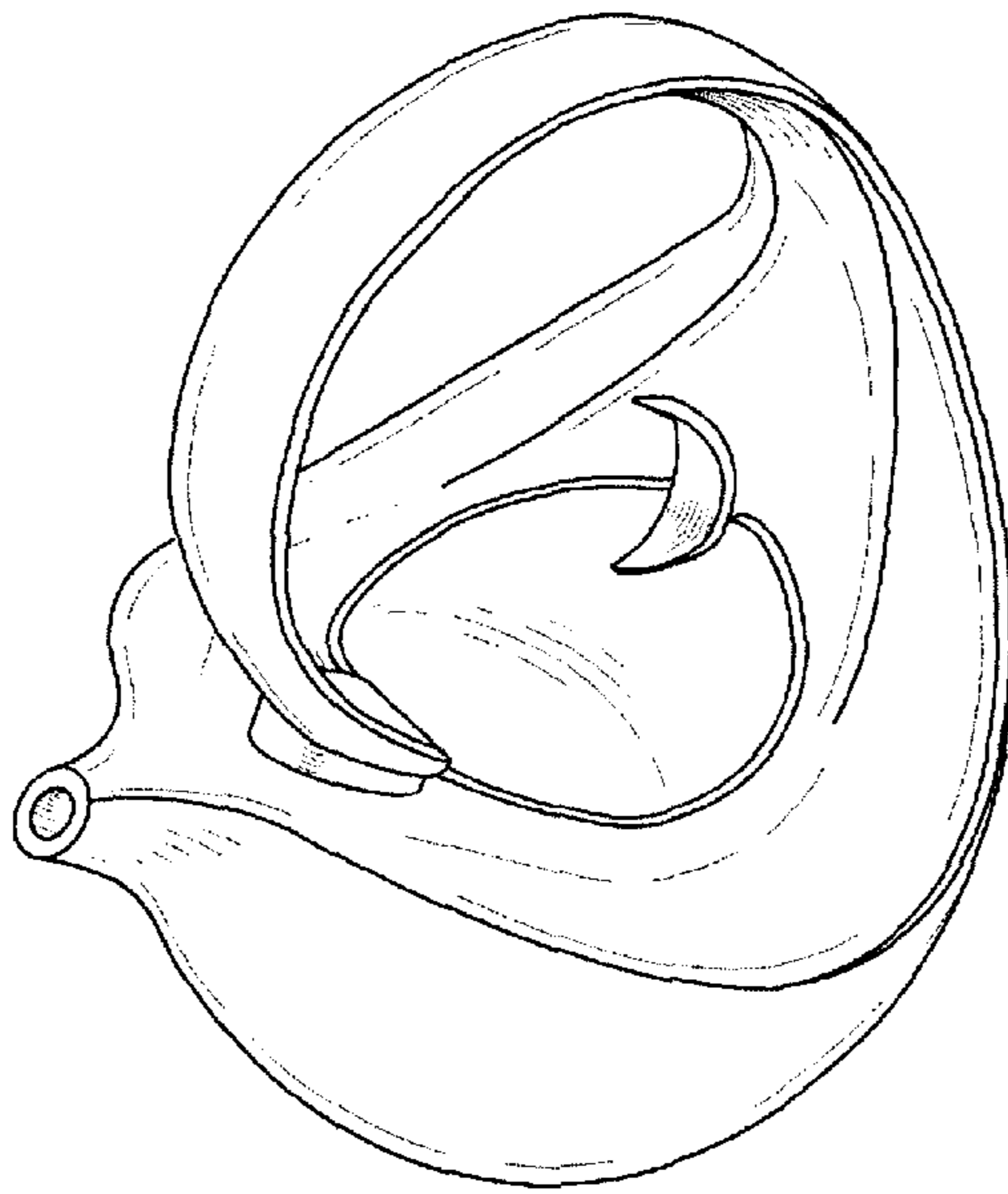


FIG. 1

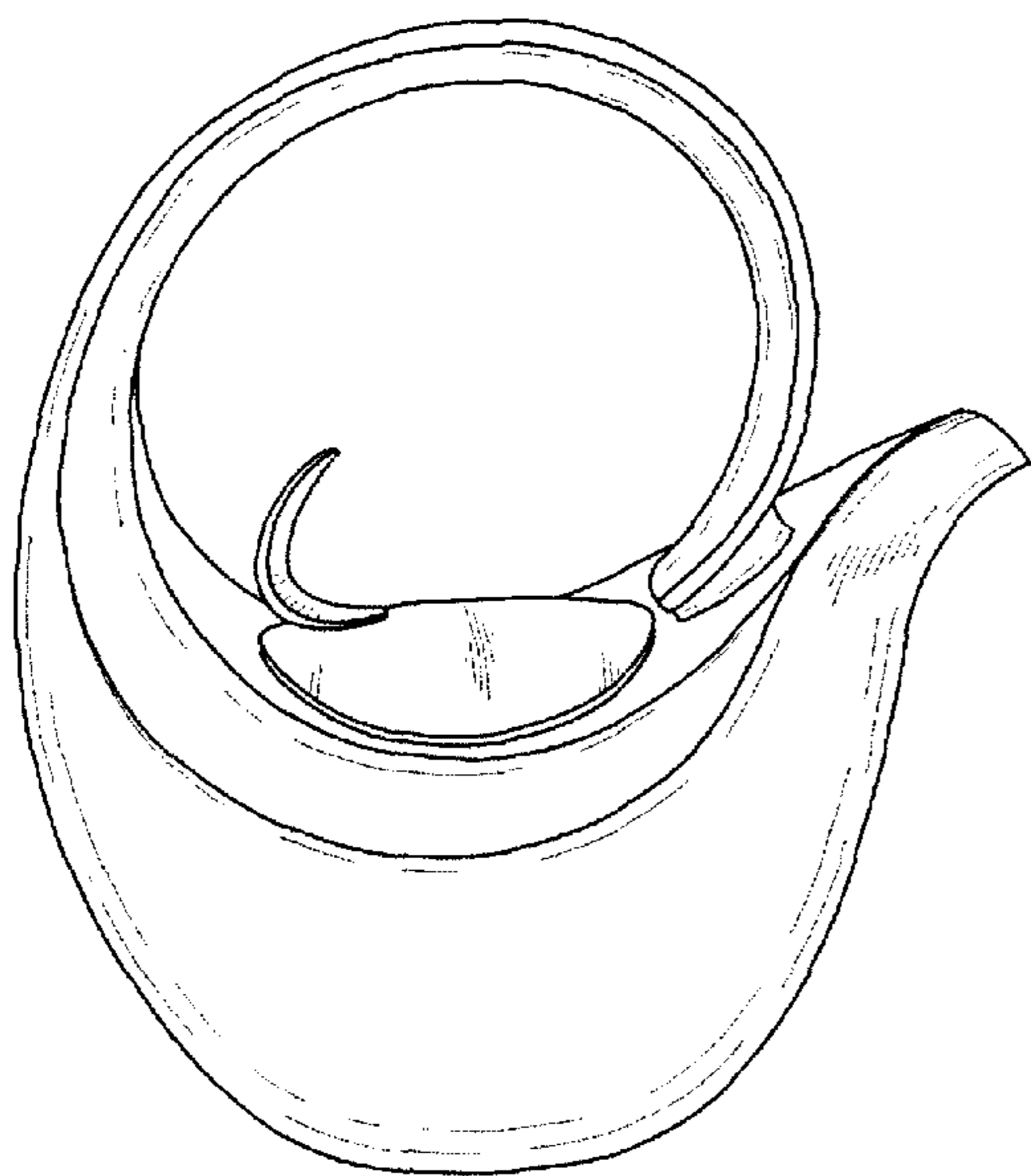


FIG. 2

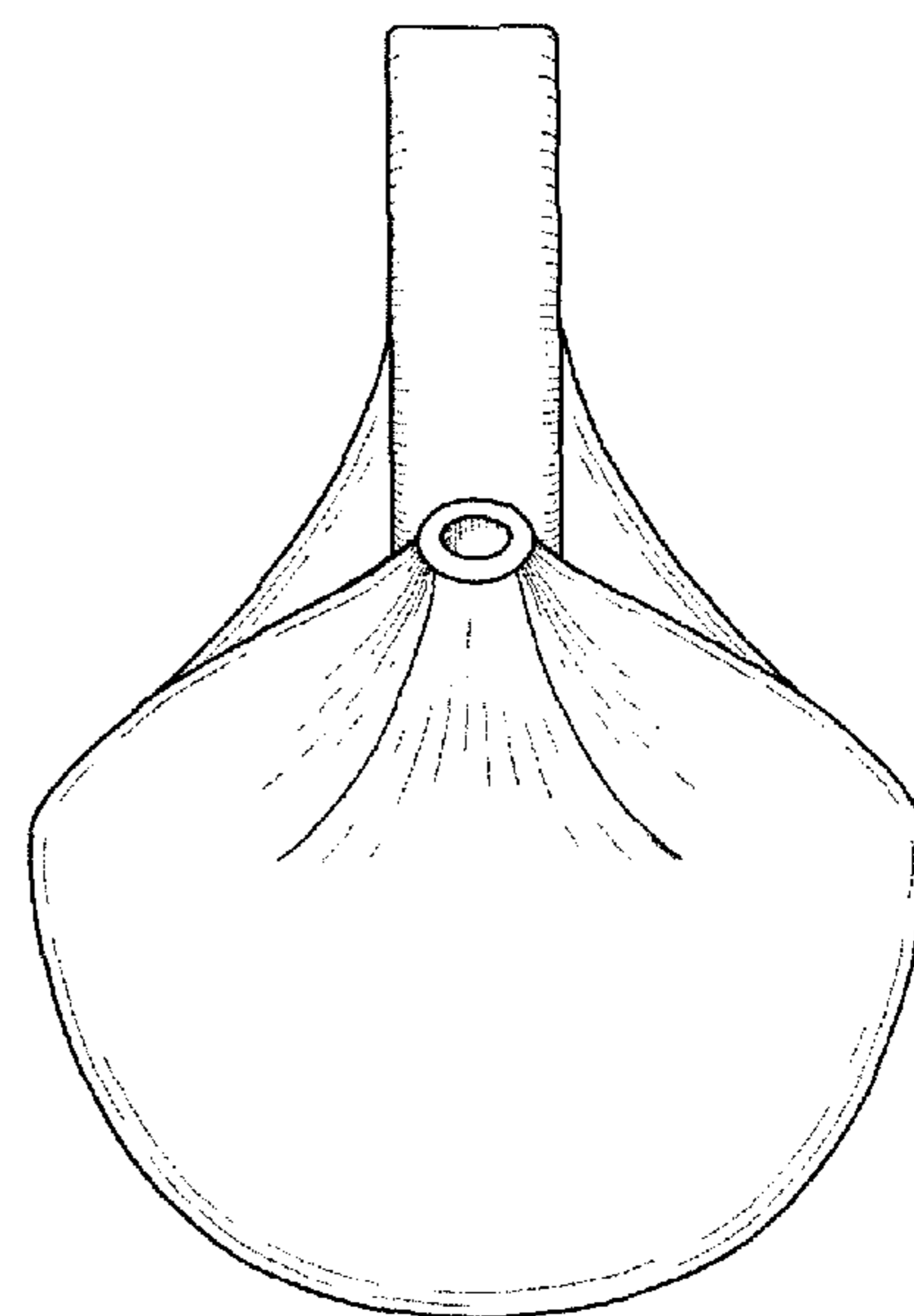


FIG. 3

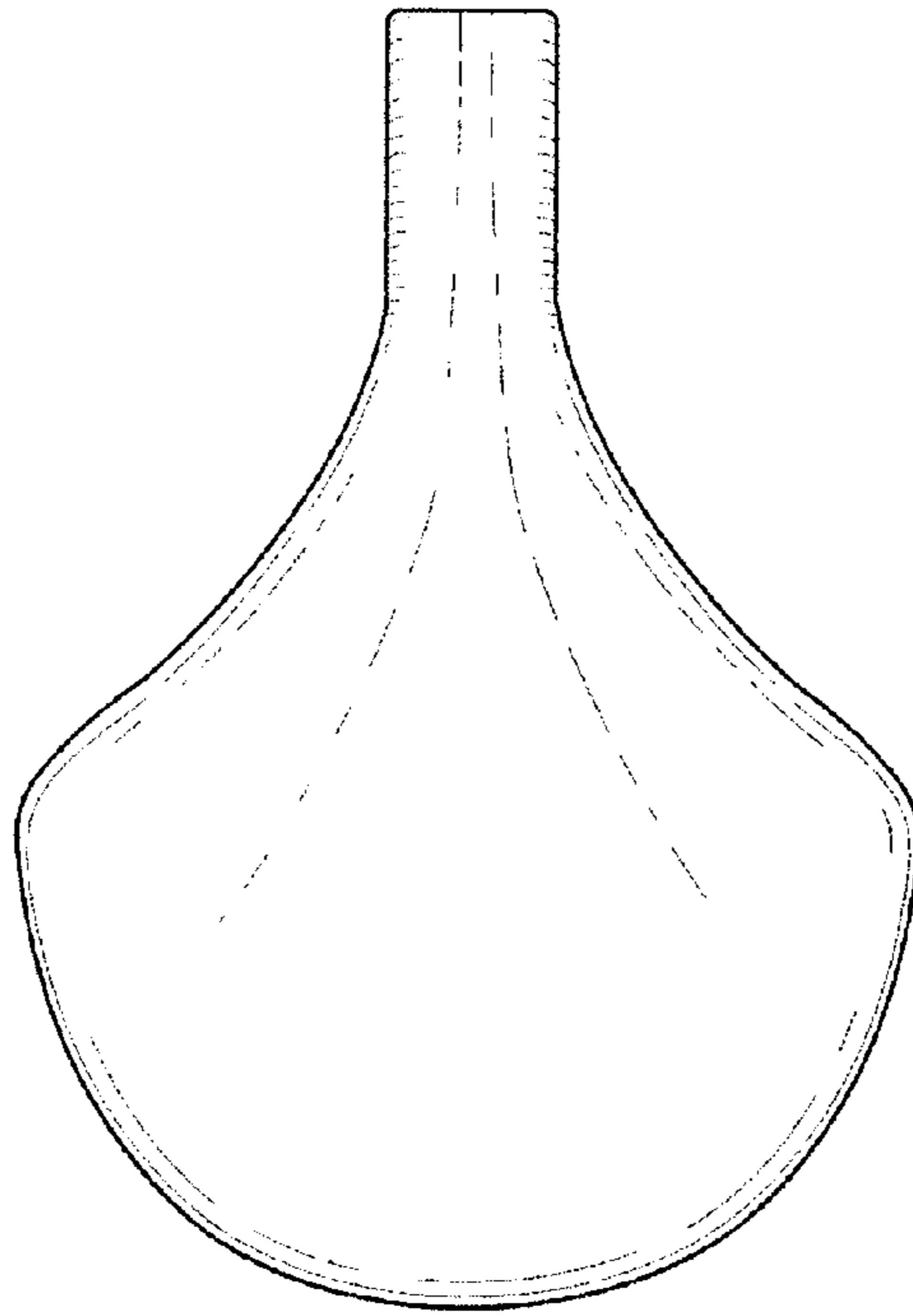


FIG. 4

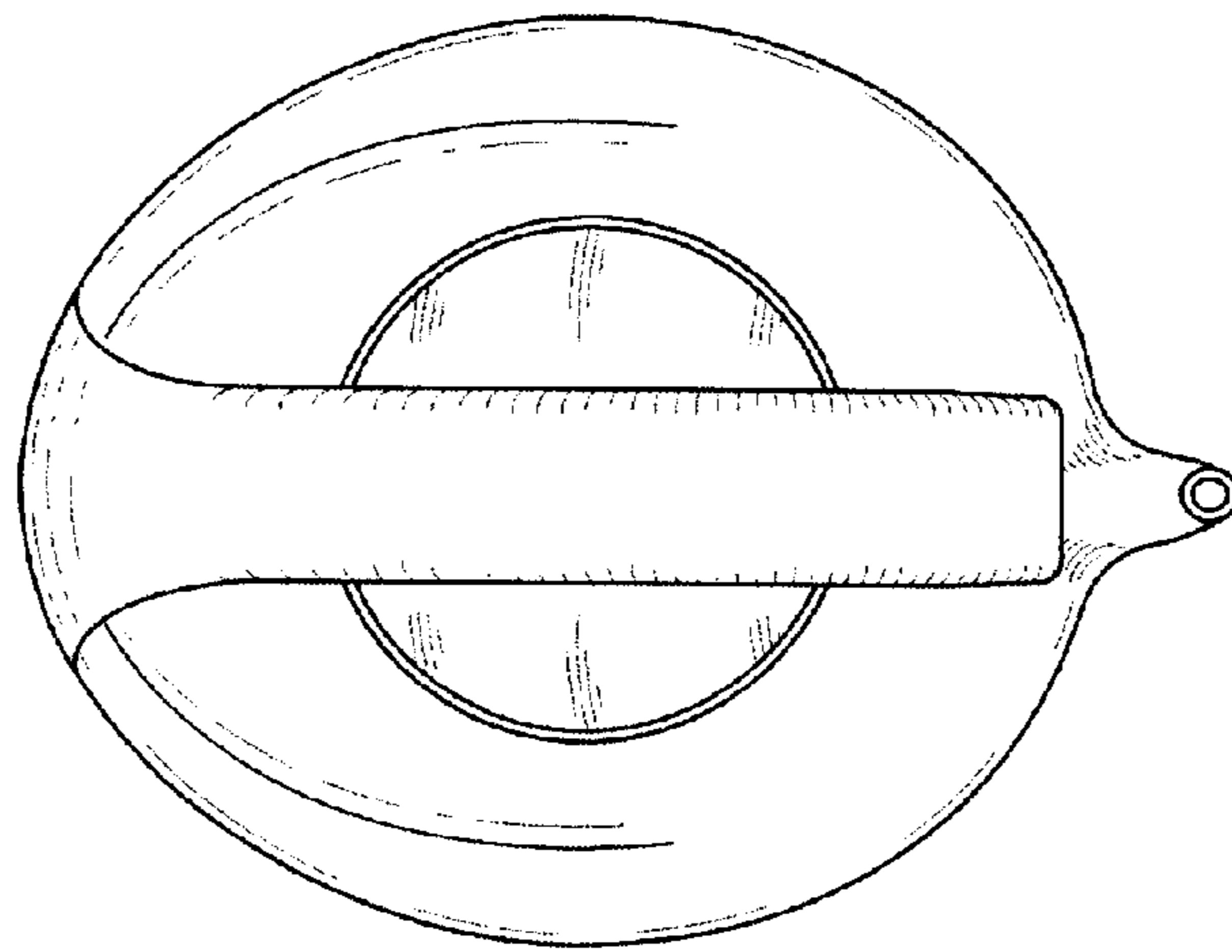


FIG. 5

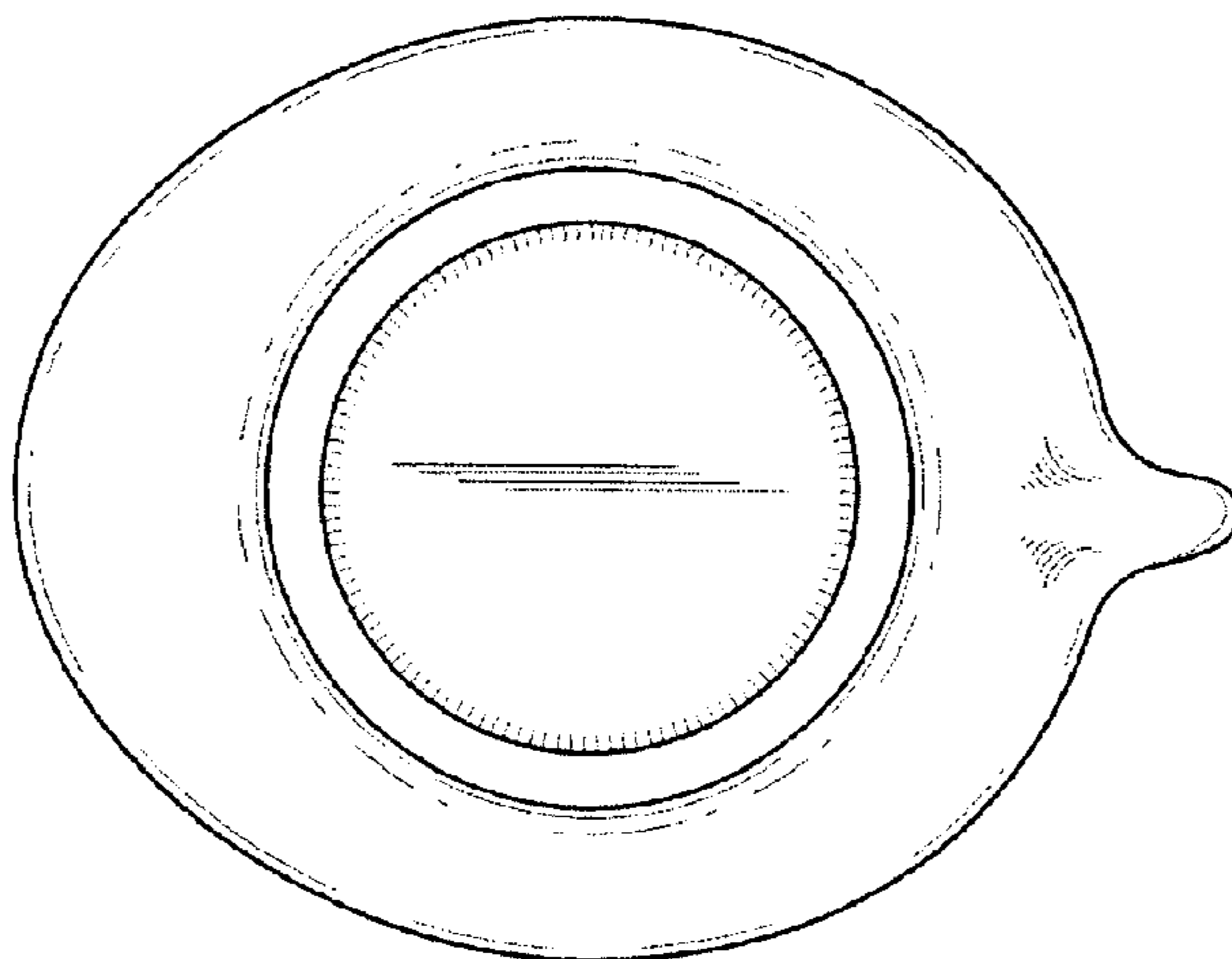


FIG. 6

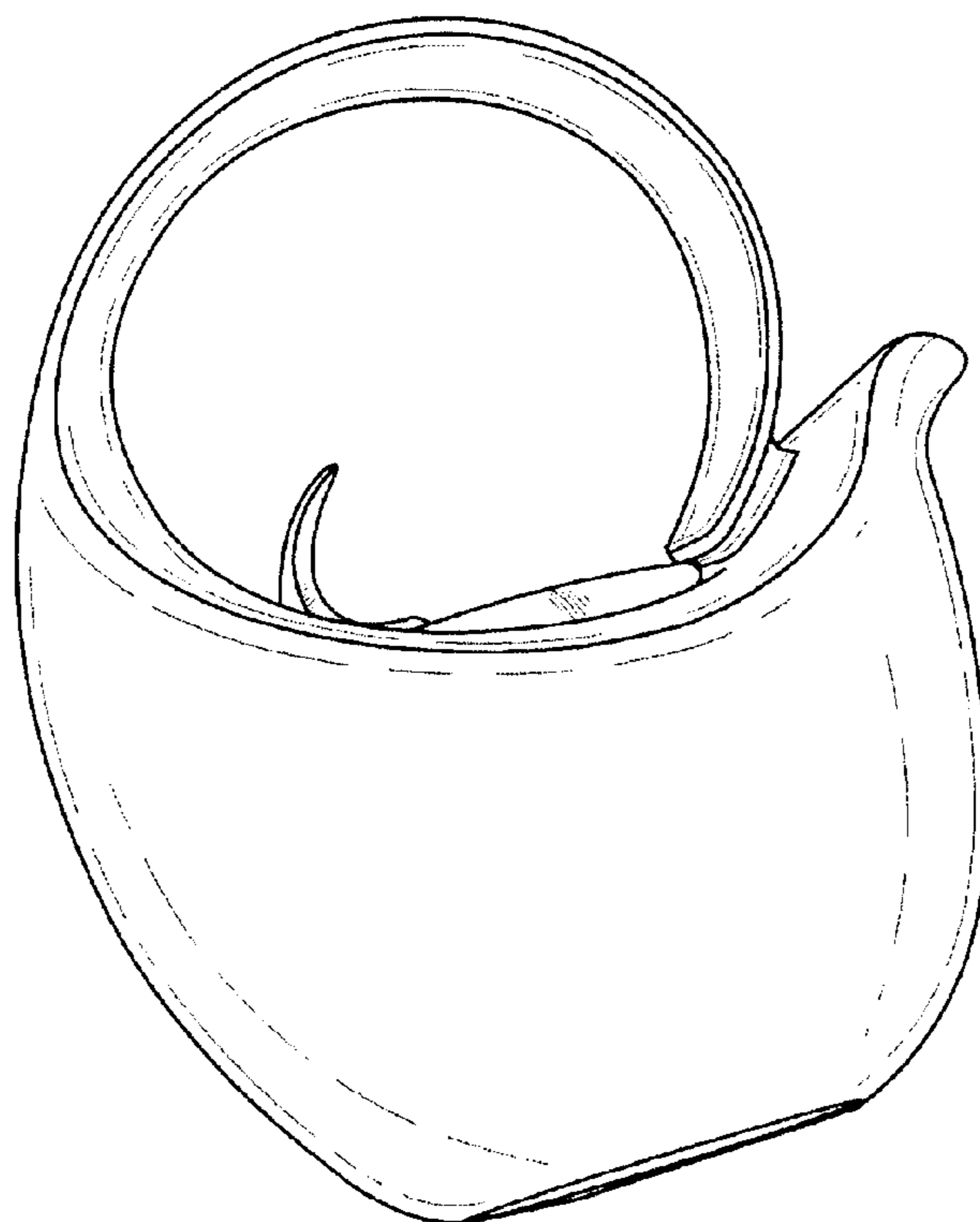


FIG. 7