



US00D539588S

(12) **United States Design Patent**
Picache

(10) **Patent No.:** **US D539,588 S**

(45) **Date of Patent:** **** Apr. 3, 2007**

(54) **COVER FOR WATER COOLER BOTTLE**

(76) Inventor: **Jaime G. Picache**, 16802 126th Ter. N.,
Jupiter, FL (US) 33478

(**) Term: **14 Years**

(21) Appl. No.: **29/260,213**

(22) Filed: **May 22, 2006**

(51) **LOC (8) Cl.** **06-13**

(52) **U.S. Cl.** **D6/610; D6/615**

(58) **Field of Classification Search** D6/610-625,
D6/329, 596, 603-5, 592-6; D2/826, 500-8;
297/219.1, 219.12, 224, 229

See application file for complete search history.

(56) **References Cited**

U.S. PATENT DOCUMENTS

| | | | | | | |
|-----------|---|---|--------|----------------|-------|-----------|
| 2,142,301 | A | * | 1/1939 | Buchalter | | 428/542.6 |
| 3,906,129 | A | * | 9/1975 | Damois | | 428/99 |
| D266,056 | S | * | 9/1982 | Lear | | D9/444 |
| D280,438 | S | * | 9/1985 | Wendt | | D23/304 |
| D289,614 | S | * | 5/1987 | Sanchez et al. | | D9/443 |
| 4,834,250 | A | * | 5/1989 | Dumbeck et al. | | 222/183 |
| 4,892,771 | A | * | 1/1990 | Rowland | | 428/74 |
| 4,947,794 | A | * | 8/1990 | Baldwin | | 119/470 |

| | | | | | | |
|-----------|---|---|---------|--------|-------|---------|
| 5,356,046 | A | * | 10/1994 | Burke | | 222/156 |
| D396,772 | S | * | 8/1998 | Hanzok | | D6/610 |
| D438,425 | S | * | 3/2001 | Agnew | | D7/392 |

* cited by examiner

Primary Examiner—Louis S. Zarfes

Assistant Examiner—Susan E. Krakower

(74) *Attorney, Agent, or Firm*—Robert M. Downey, PA

(57) **CLAIM**

The ornamental design for a cover for water cooler bottle, as shown and described.

DESCRIPTION

FIG. 1 is a front elevational view of a cover for a water cooler bottle showing my new design, the left side, right side, and rear elevational views being identical thereto;

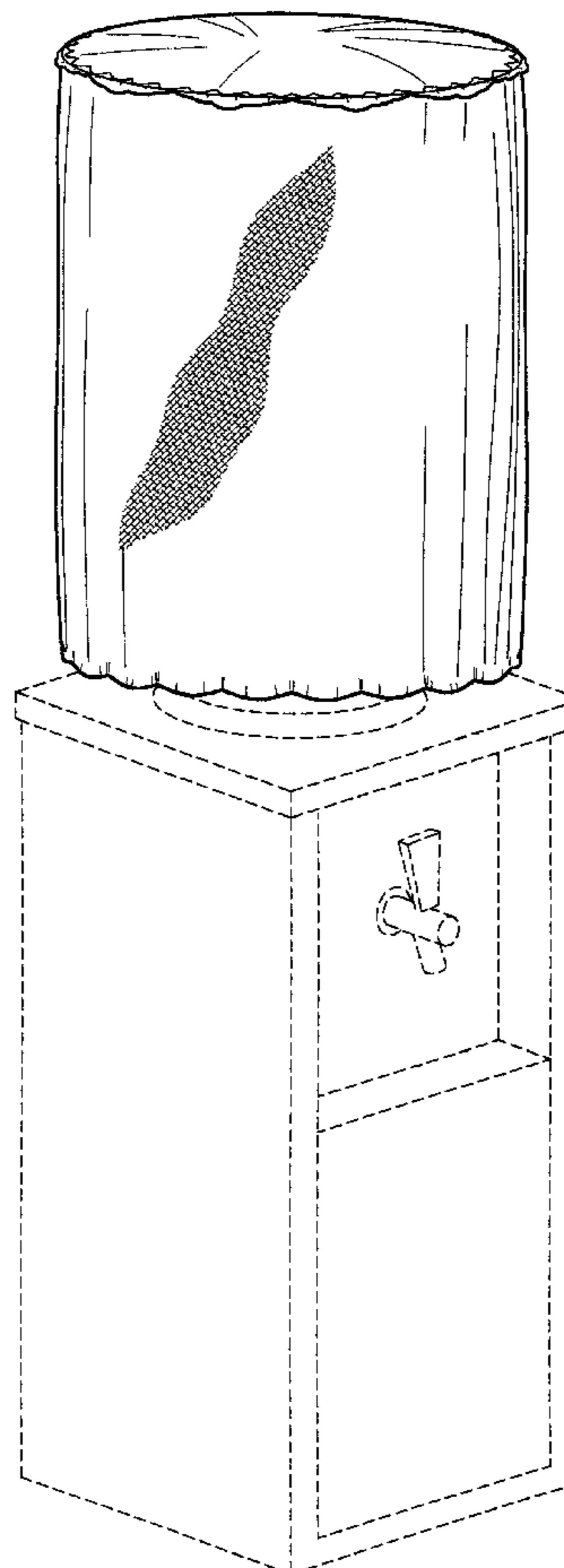
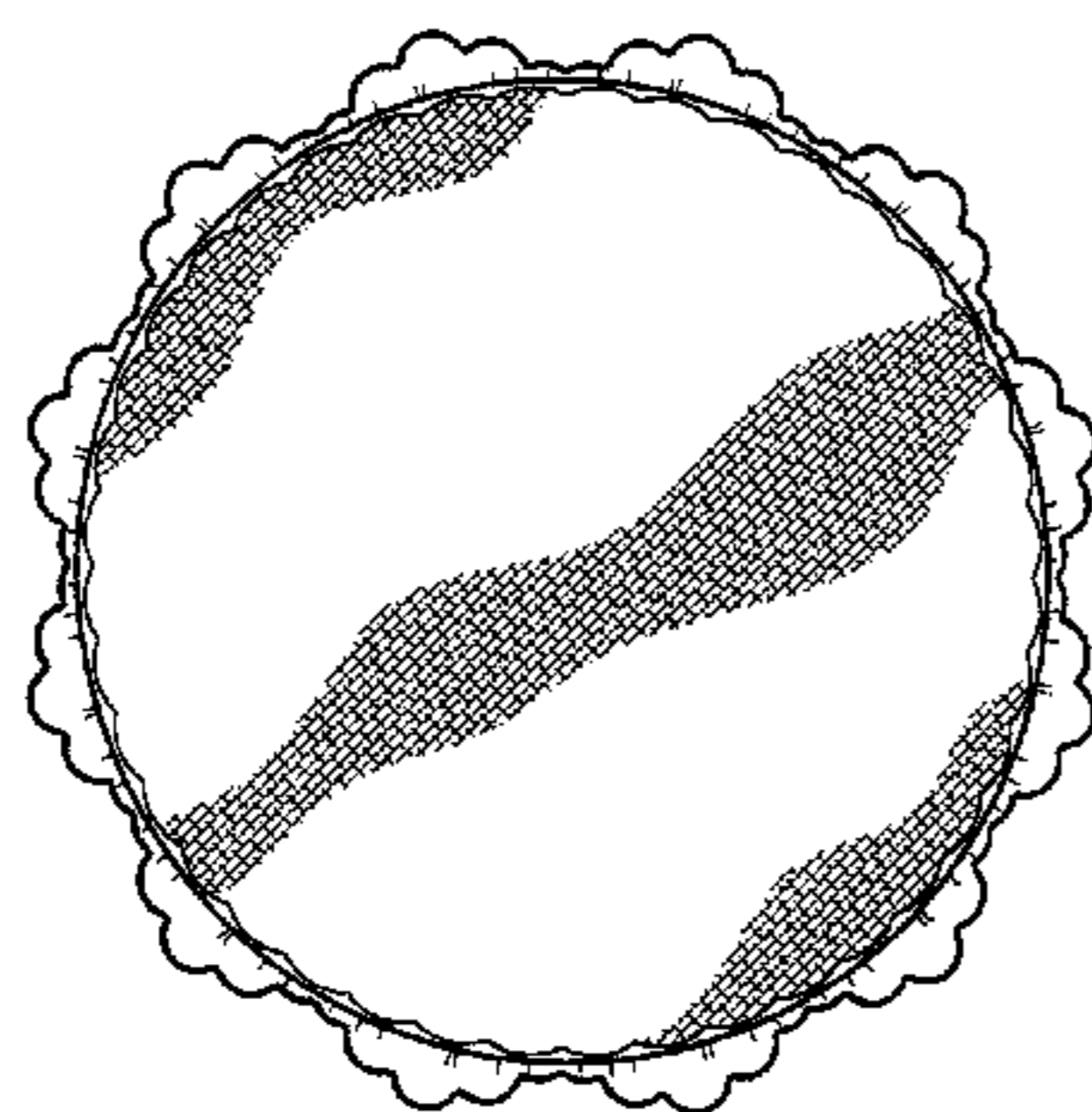
FIG. 2 is top plan view thereof;

FIG. 3 is a bottom plan view thereof; and,

FIG. 4 is a perspective view showing the cover for a water cooler bottle installed on a water cooler to cover the water bottle.

The broken line showing of a water cooler is included for the purpose of illustrating environmental structure and forms no part of the claimed design.

1 Claim, 2 Drawing Sheets



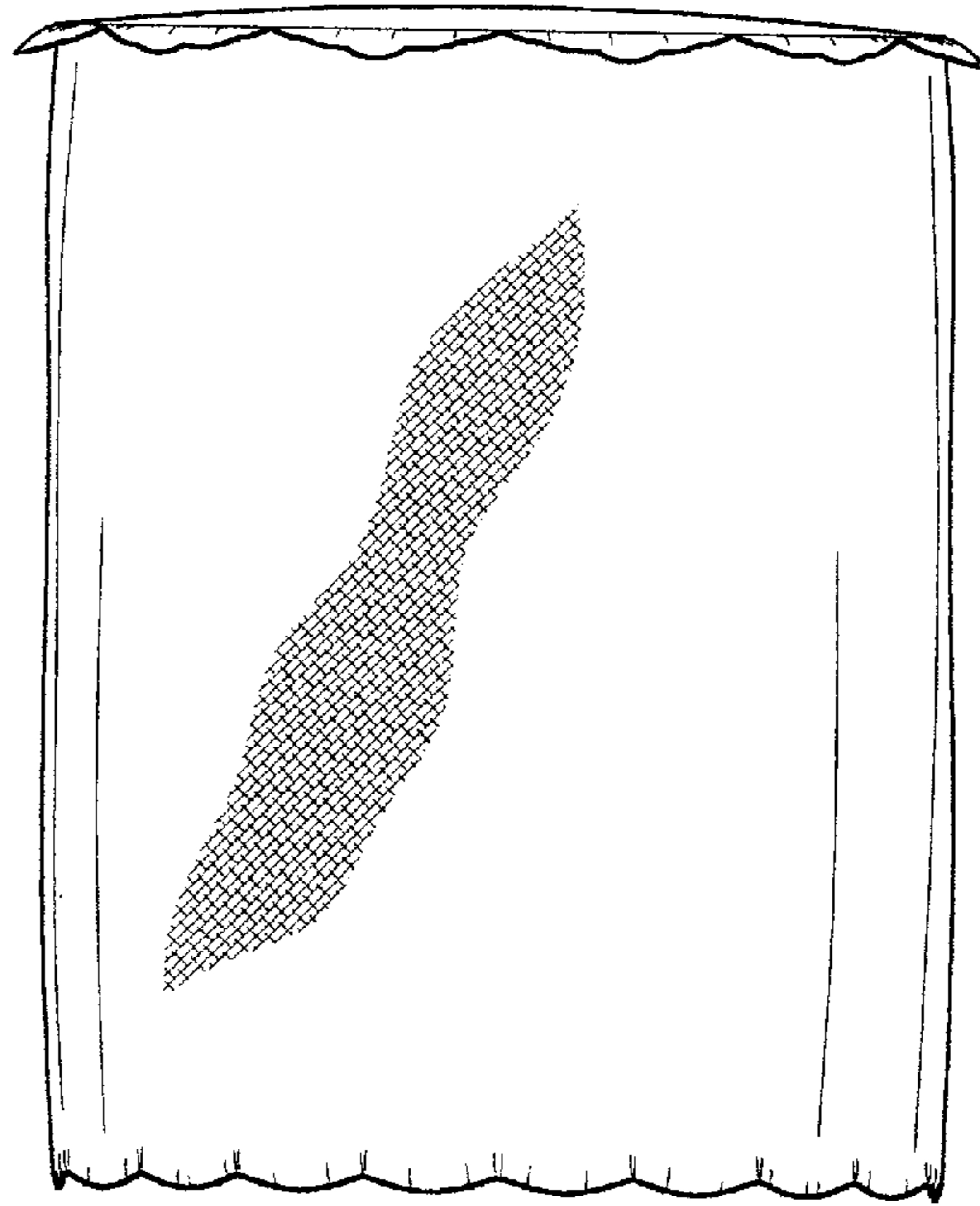


FIG. 1

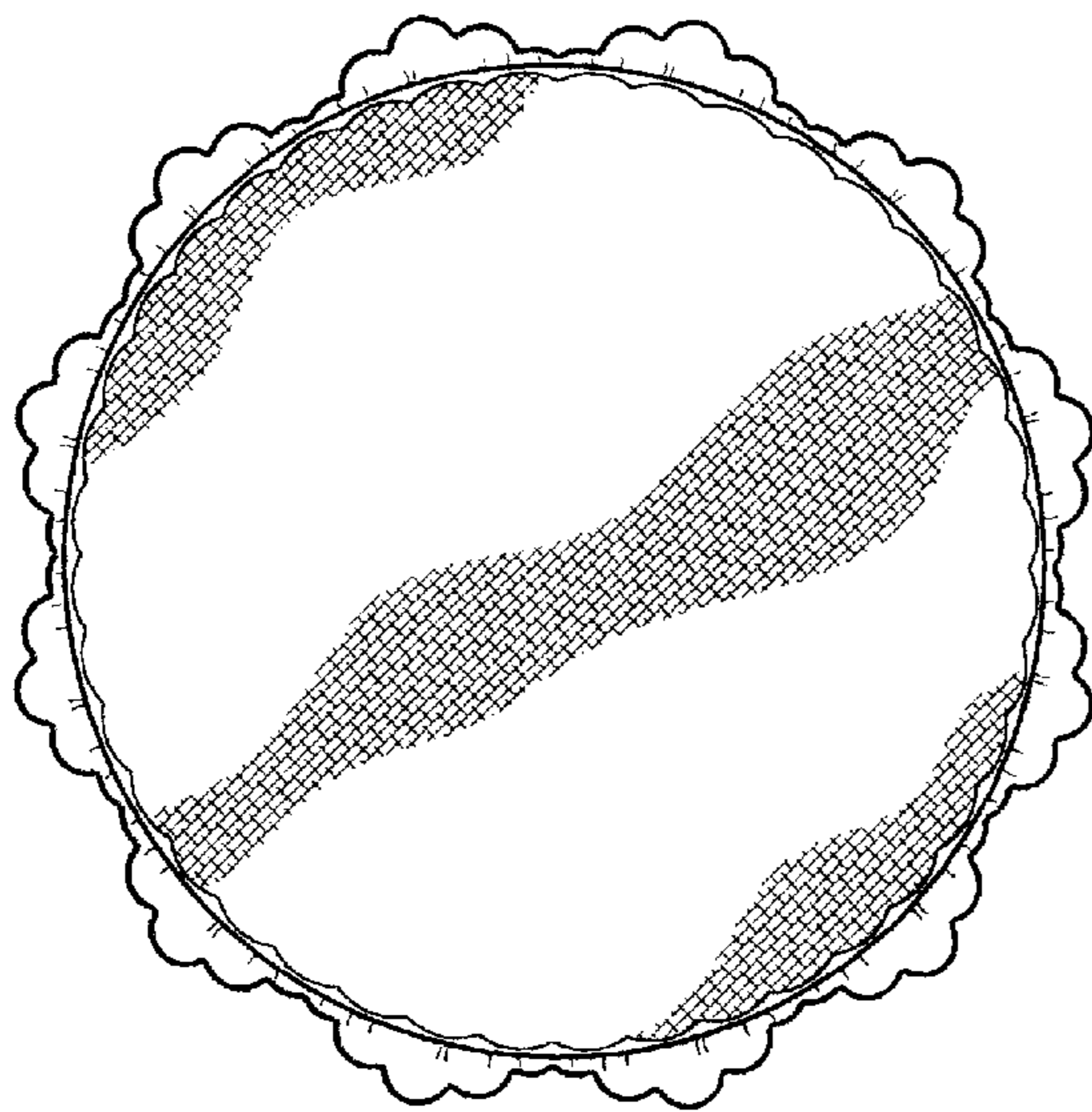


FIG. 2

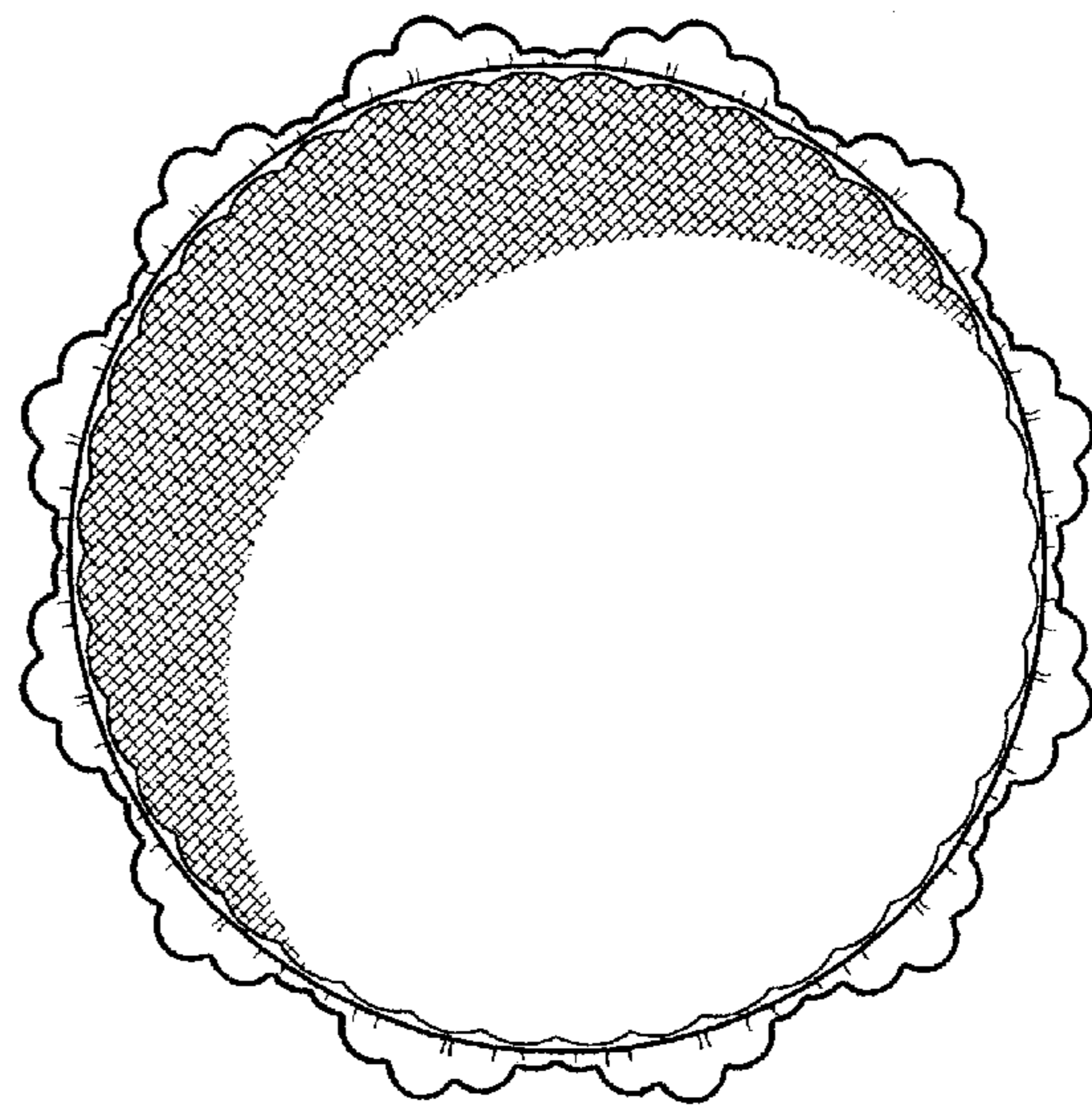


FIG. 3

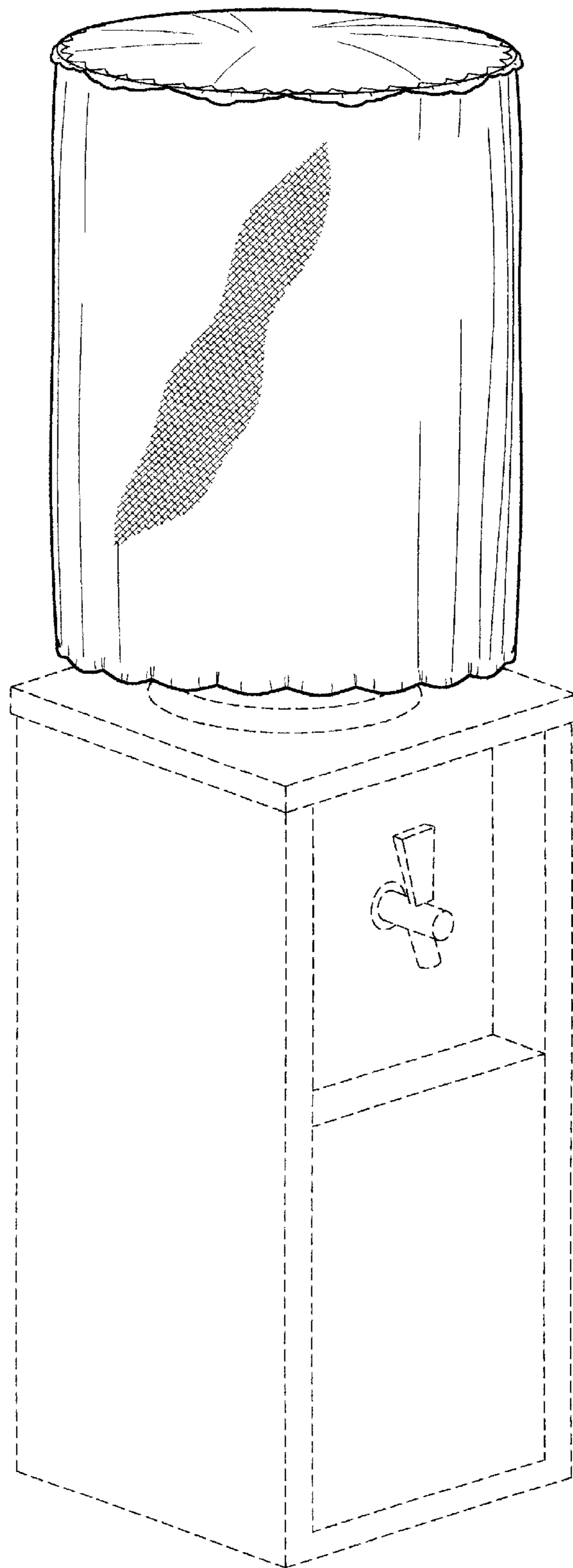


FIG. 4