



US00D539577S

(12) **United States Design Patent**
Mazzera

(10) **Patent No.:** **US D539,577 S**

(45) **Date of Patent:** **** Apr. 3, 2007**

(54) **CHAIR ARM**

(75) Inventor: **Marcello Mazzera**, Chatsworth, CA
(US)

(73) Assignee: **True Seating Concepts, LLC** (MU)

(**) Term: **14 Years**

(21) Appl. No.: **29/258,097**

(22) Filed: **Apr. 17, 2006**

(51) **LOC (8) Cl.** **06-06**

(52) **U.S. Cl.** **D6/501; D6/366**

(58) **Field of Classification Search** D6/334-336,
D6/364, 365, 366, 367, 379, 491, 500-502;
297/411.2, 411.27, 411.35, 411.36, 411.37,
297/463.1

See application file for complete search history.

(56) **References Cited**

U.S. PATENT DOCUMENTS

- D461,661 S * 8/2002 Koepke et al. D6/500
- D462,187 S * 9/2002 Koepke et al. D6/366
- D467,103 S * 12/2002 Koepke et al. D6/501
- D476,821 S * 7/2003 Koepke et al. D6/366

- D479,929 S * 9/2003 Koepke et al. D6/501
- 6,702,386 B2 * 3/2004 Davis et al. 297/411.35
- 6,773,072 B2 * 8/2004 Phillips et al. 297/411.35

* cited by examiner

Primary Examiner—Mimosa De

(74) *Attorney, Agent, or Firm*—Morland C. Fischer

(57) **CLAIM**

The ornamental design for a chair arm, as shown and described.

DESCRIPTION

FIG. 1 is a perspective view showing the front, left side and top of a chair arm which forms my new design, the broken lines of a chair and an arm pad being for illustrative purposes only and forming no part of my design;

FIG. 2 is an enlarged left side elevational view thereof;

FIG. 3 is an enlarged top plan view thereof;

FIG. 4 is an enlarged right side elevational view thereof;

FIG. 5 is an enlarged bottom plan view thereof;

FIG. 6 is an enlarged front elevational view thereof;

FIG. 7 is an enlarged rear elevational view thereof; and,

FIG. 8 is an enlarged perspective view showing the front, left side and top thereof.

1 Claim, 4 Drawing Sheets





FIG. 1

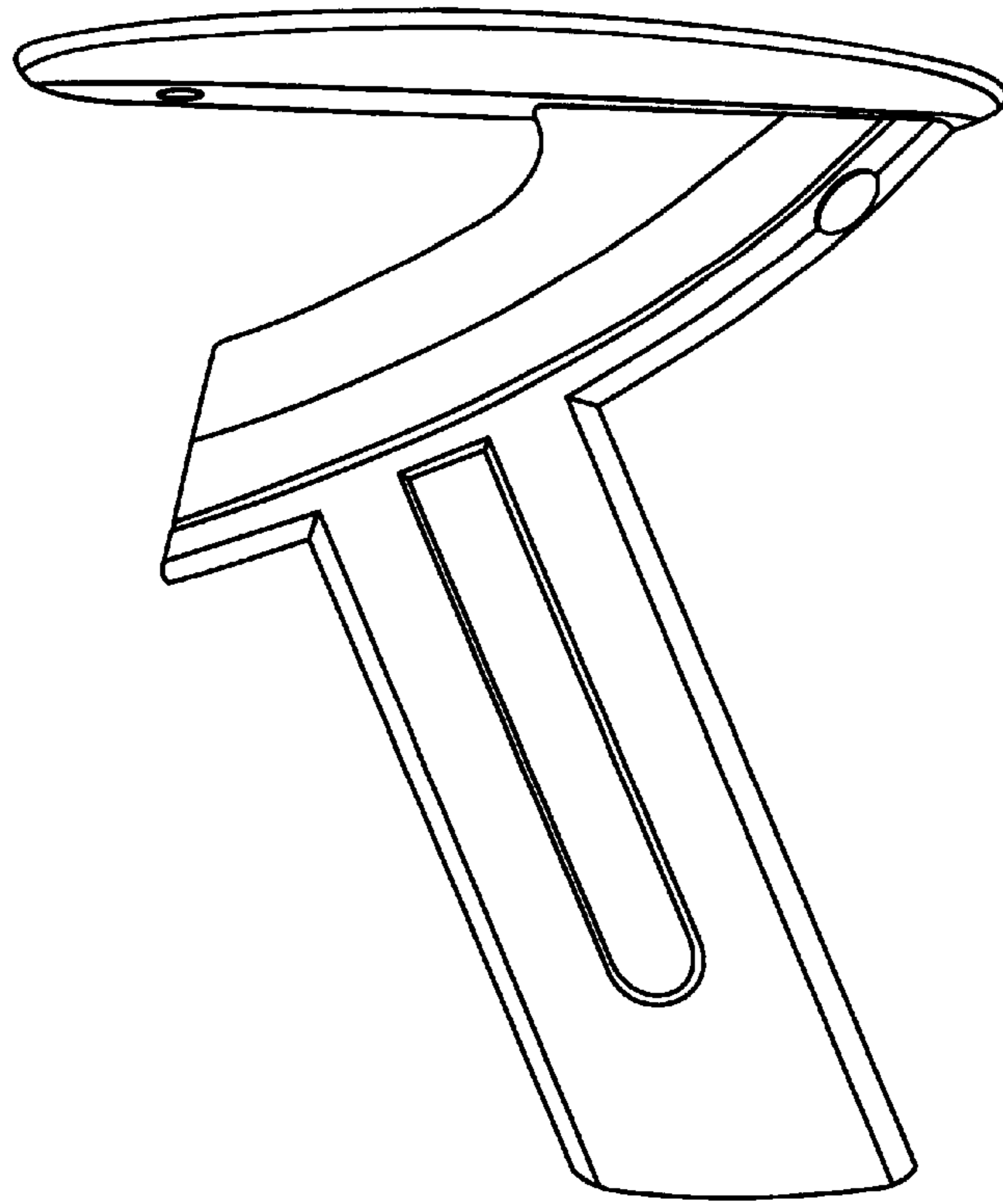


FIG. 2

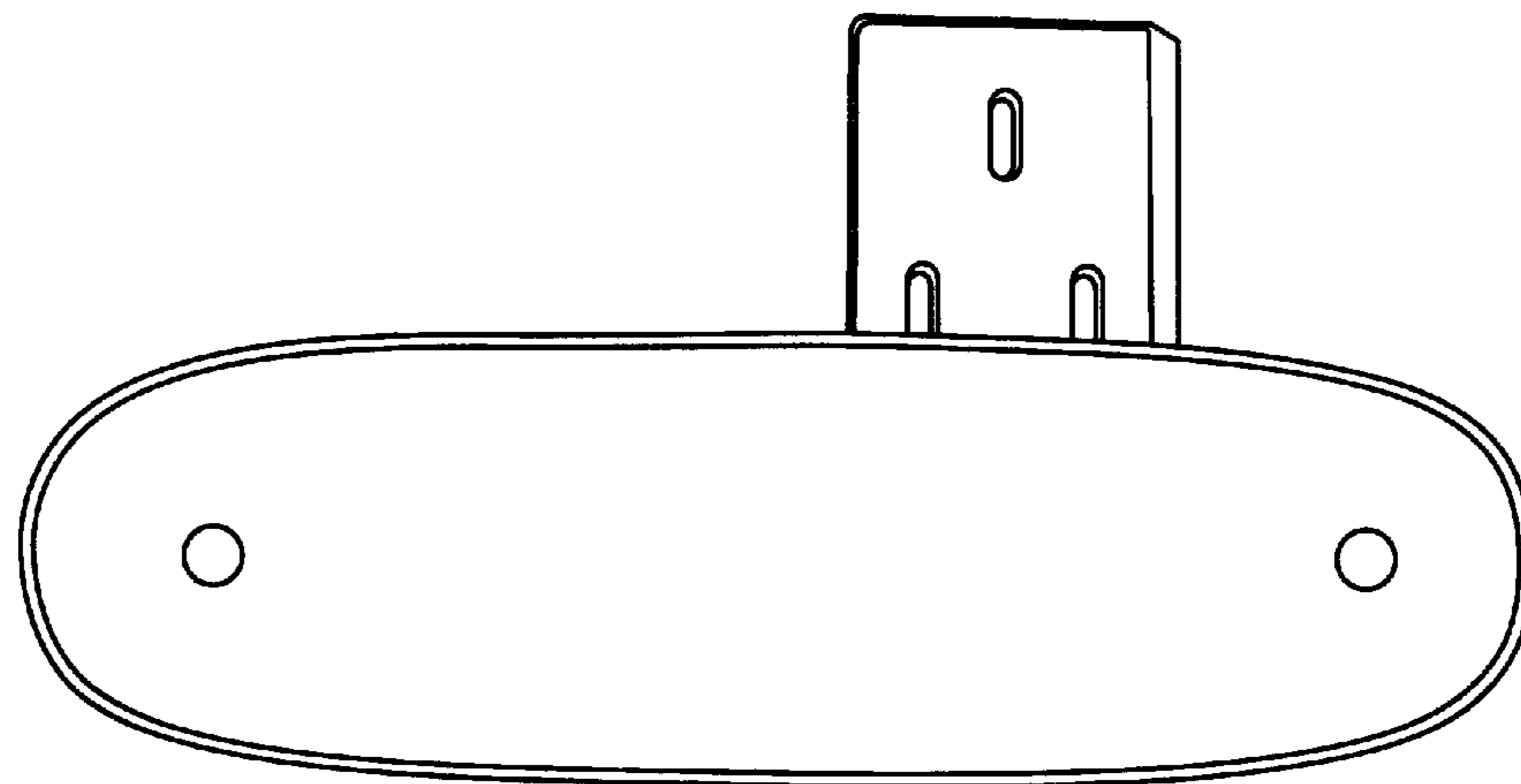


FIG. 3

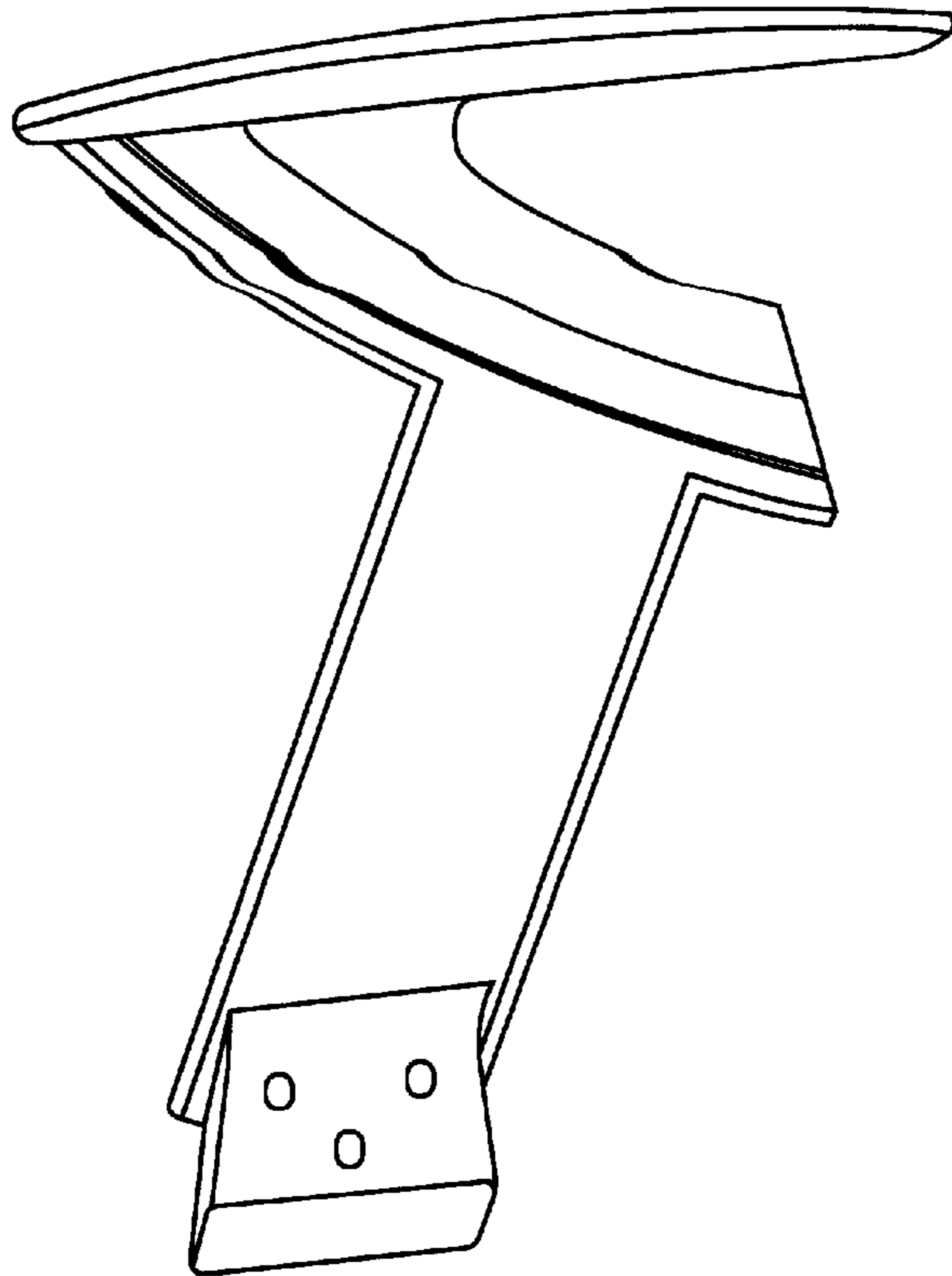


FIG. 4

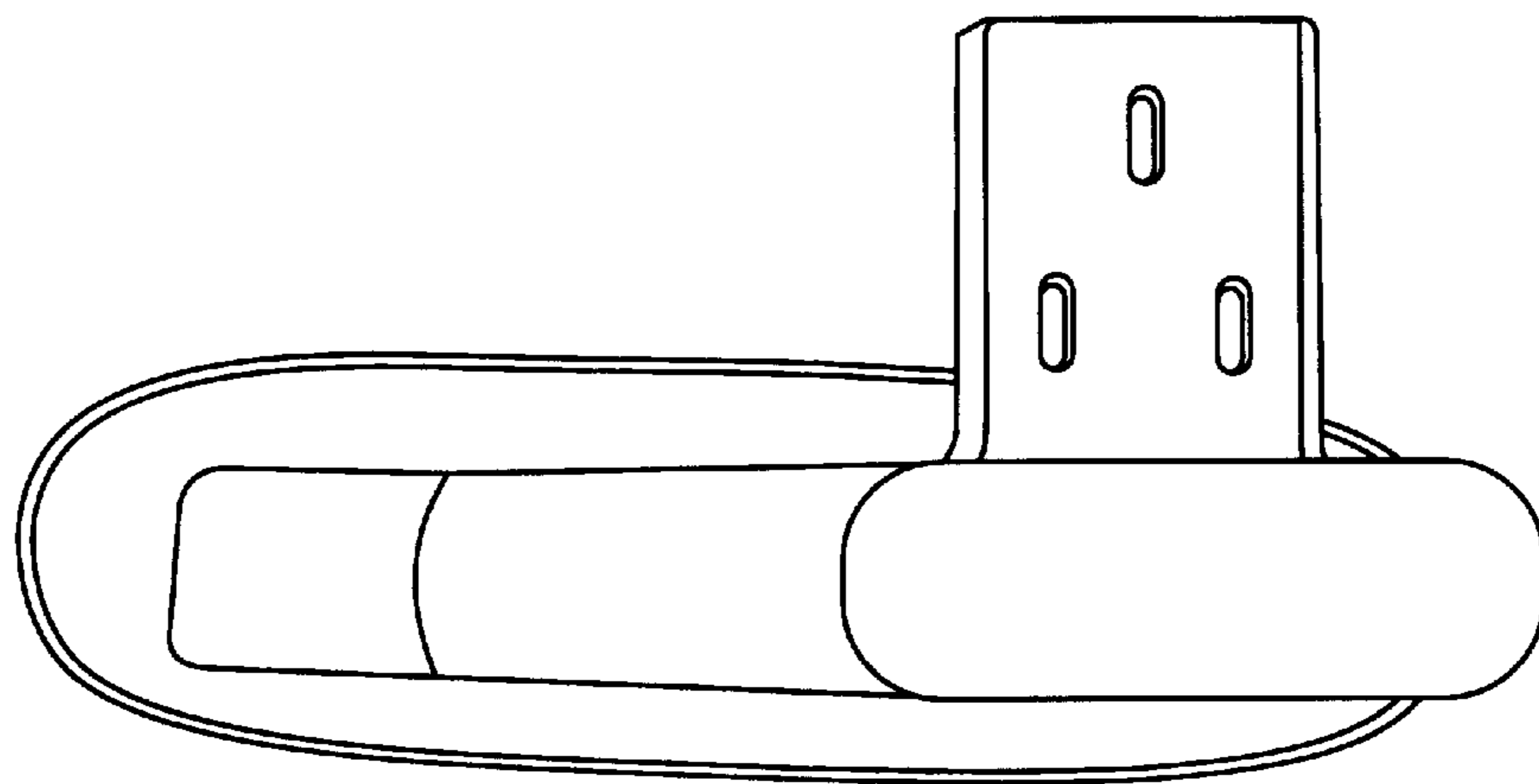


FIG. 5

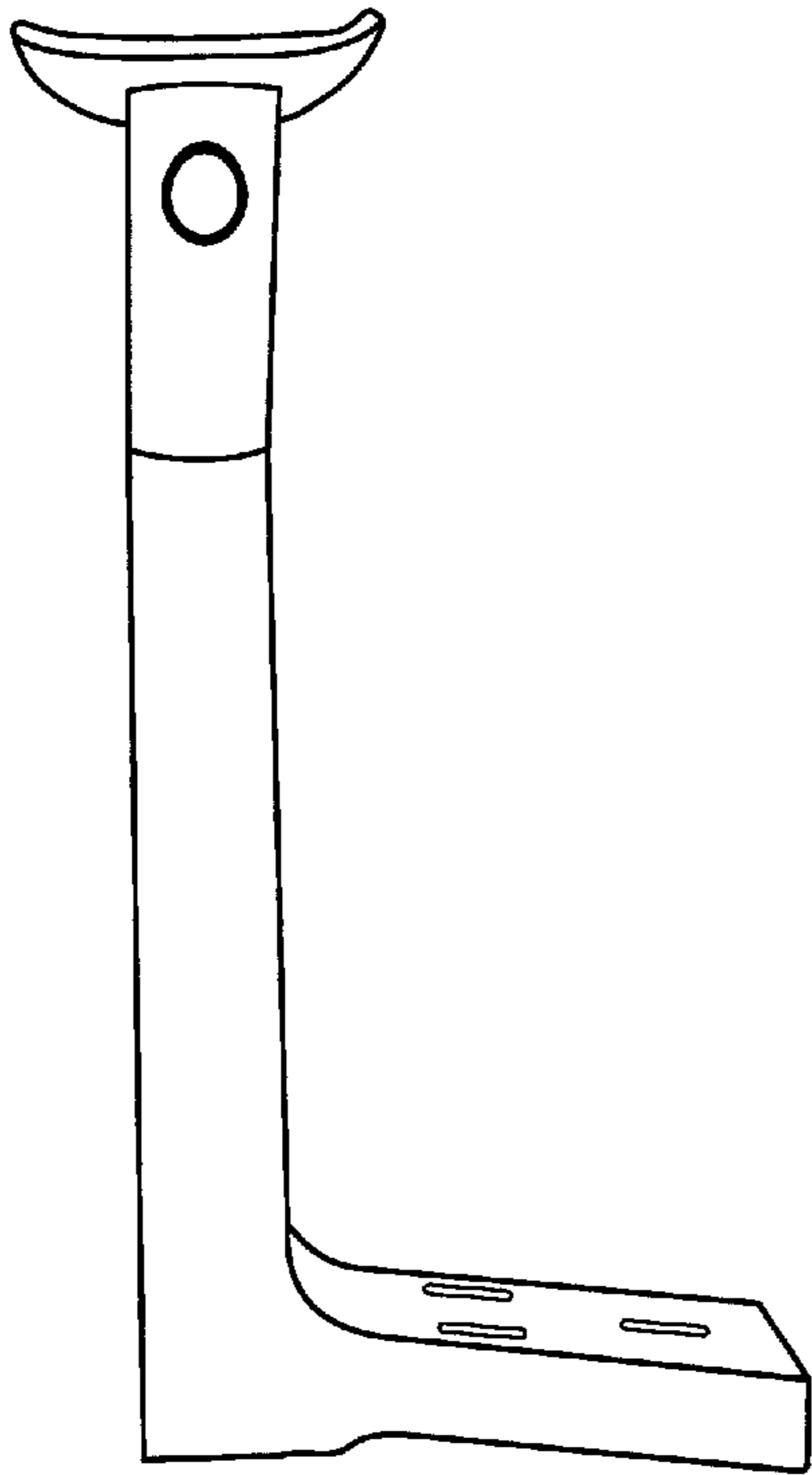


FIG. 6

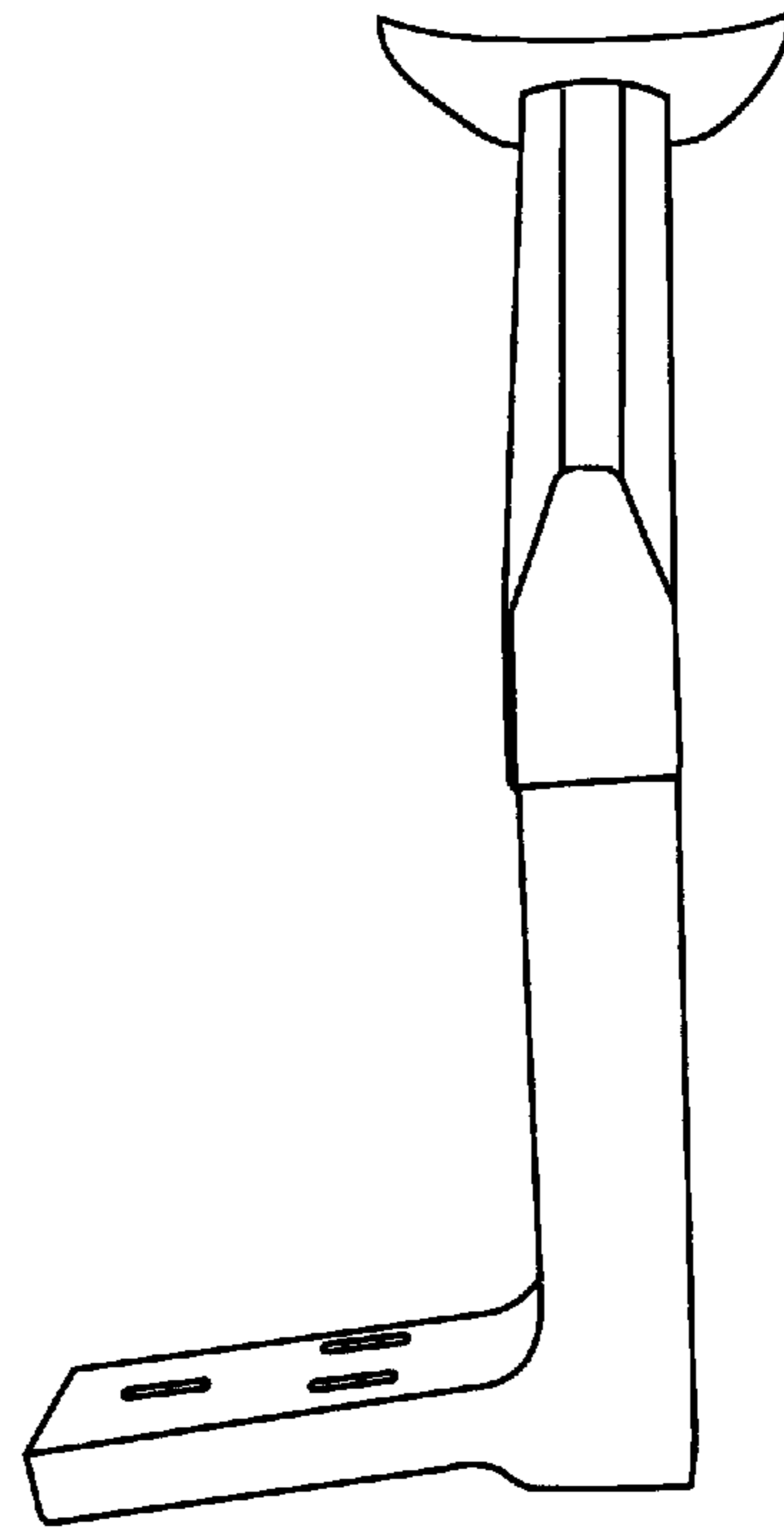


FIG. 7

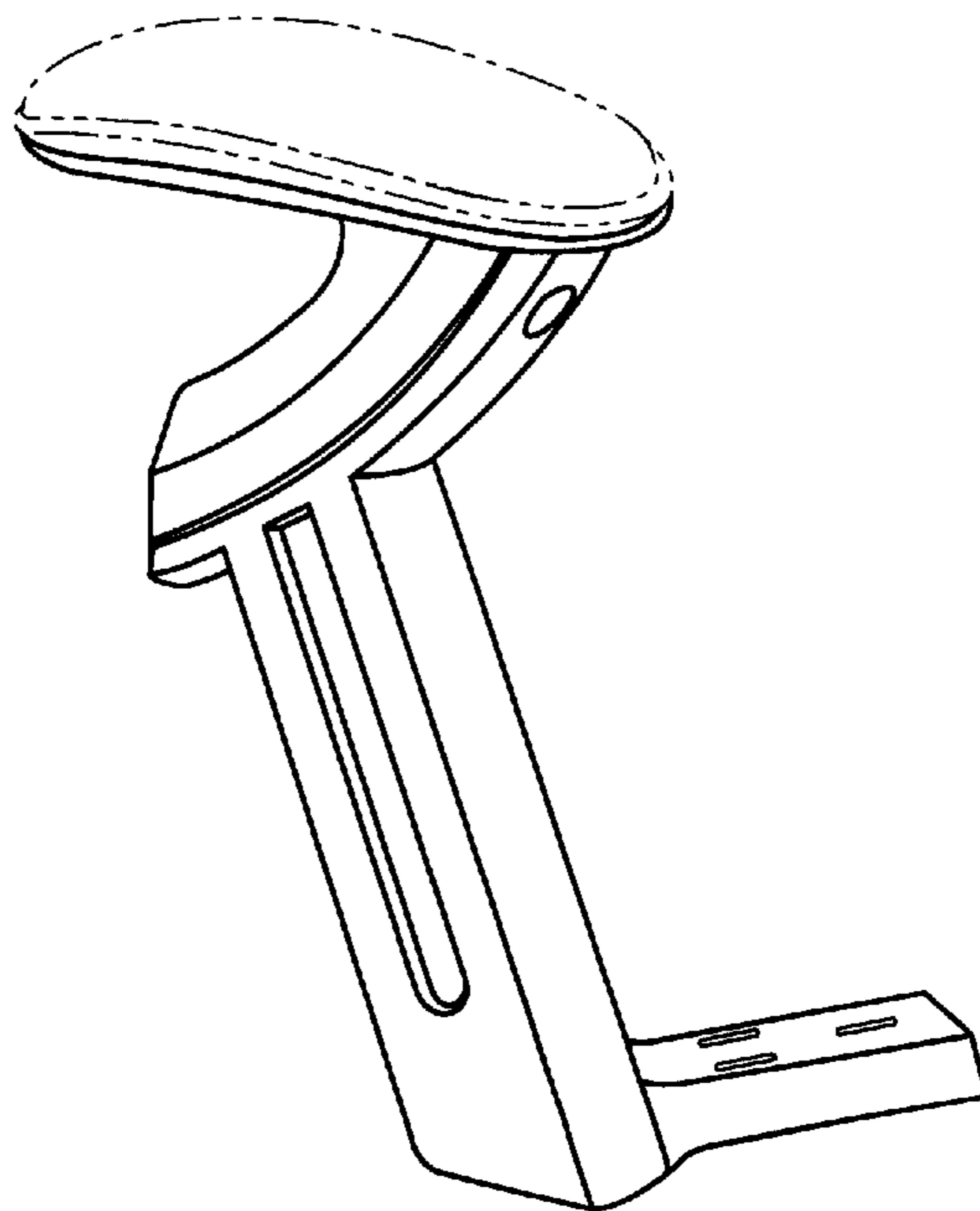


FIG. 8