

US00D539576S

(12) **United States Design Patent**
Grove et al.

(10) **Patent No.:** **US D539,576 S**

(45) **Date of Patent:** **** Apr. 3, 2007**

(54) **CHAIR ARM AND ARM PAD**

D487,987 S * 4/2004 Wu D6/366

(76) Inventors: **James E. Grove**, 4316 Marina City Dr.,
423 CTN, Marina Del Rey, CA (US)
90292; **Andy S. Vong**, 927 Amoroso
Pl., Venice, CA (US) 90291

* cited by examiner

Primary Examiner—Mimosa De

(74) *Attorney, Agent, or Firm*—Morland C. Fischer

(**) Term: **14 Years**

(57) **CLAIM**

The ornamental design for a chair arm and arm pad, as shown and described.

(21) Appl. No.: **29/257,585**

(22) Filed: **Apr. 7, 2006**

DESCRIPTION

(51) **LOC (8) Cl.** **06-06**

(52) **U.S. Cl.** **D6/501; D6/366**

(58) **Field of Classification Search** D6/334–336,
D6/364, 365, 366, 367, 379, 491, 500–502;
297/411.2, 411.27, 411.28, 463.1

See application file for complete search history.

FIG. 1 is a perspective view of a chair arm and arm pad which forms our new design, the broken lines of a chair being for illustrative purposes only and forming no part of our design;

FIG. 2 is an enlarged left side elevational view thereof;

FIG. 3 is an enlarged top plan view thereof;

FIG. 4 is an enlarged right side elevational view thereof;

FIG. 5 is an enlarged bottom plan view thereof;

FIG. 6 is an enlarged front elevational view thereof;

FIG. 7 is an enlarged rear elevational view thereof; and,

FIG. 8 is an enlarged perspective view showing the front, left side and top thereof.

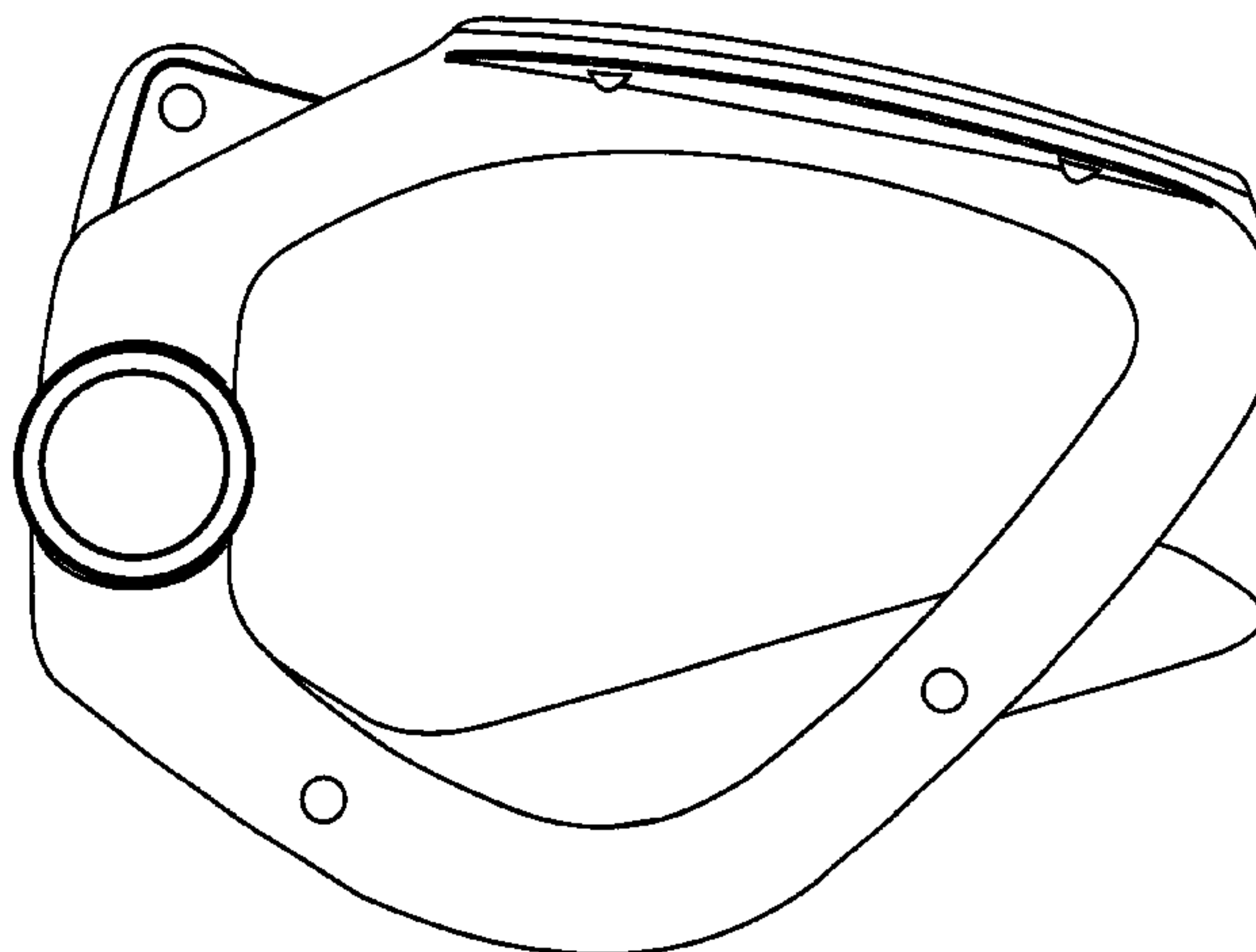
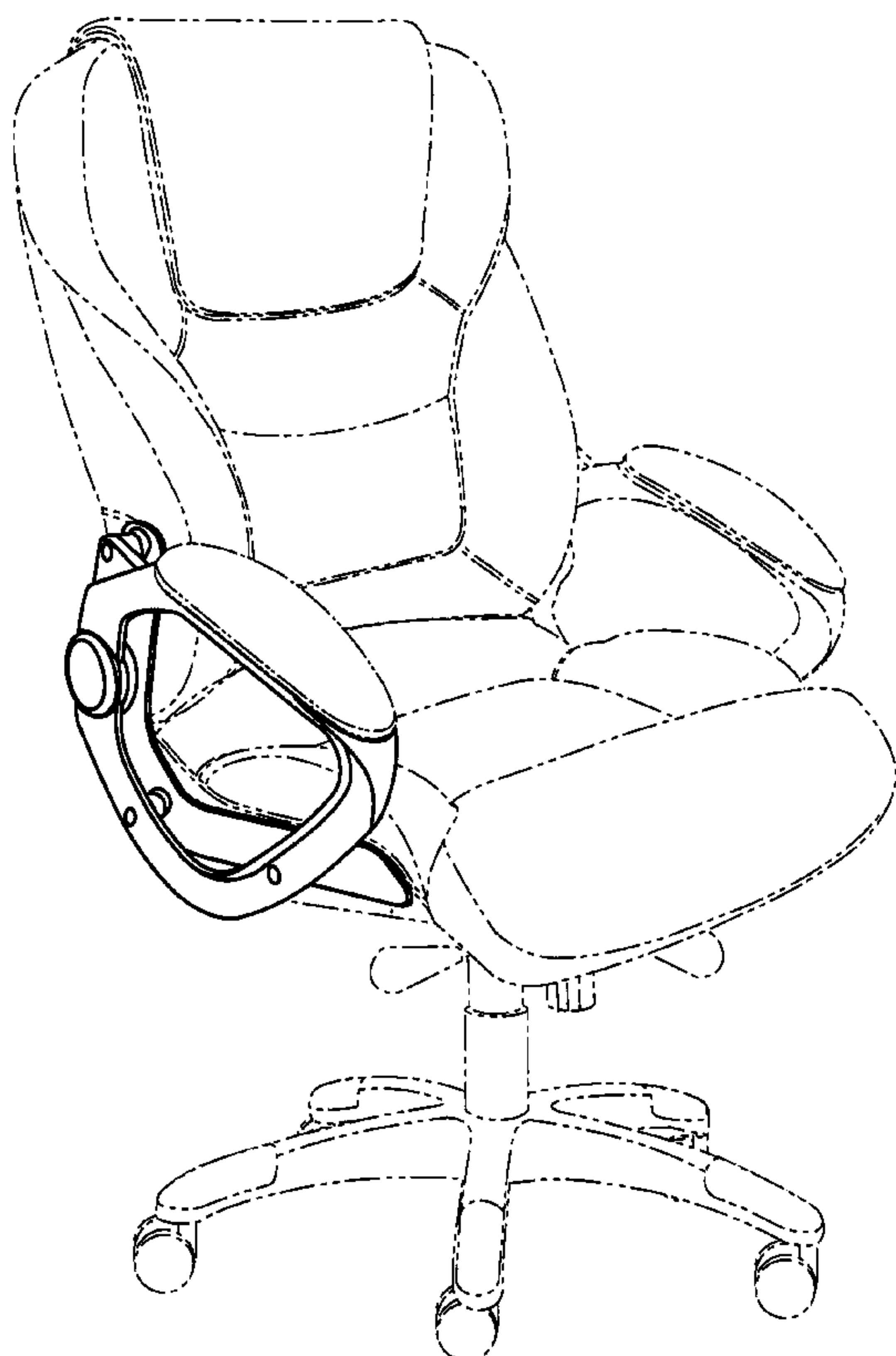
The short broken lines in FIG. 3 are understood to represent stitching.

(56) **References Cited**

U.S. PATENT DOCUMENTS

D355,534 S	*	2/1995	Saotome	D6/366
D366,792 S	*	2/1996	McDiarmid	D6/501
D426,408 S	*	6/2000	Su	D6/501
D437,130 S	*	2/2001	Tseng	D6/366
D451,321 S	*	12/2001	Chi	D6/501
D459,600 S	*	7/2002	Tseng	D6/366
D465,113 S	*	11/2002	Chen	D6/501

1 Claim, 4 Drawing Sheets



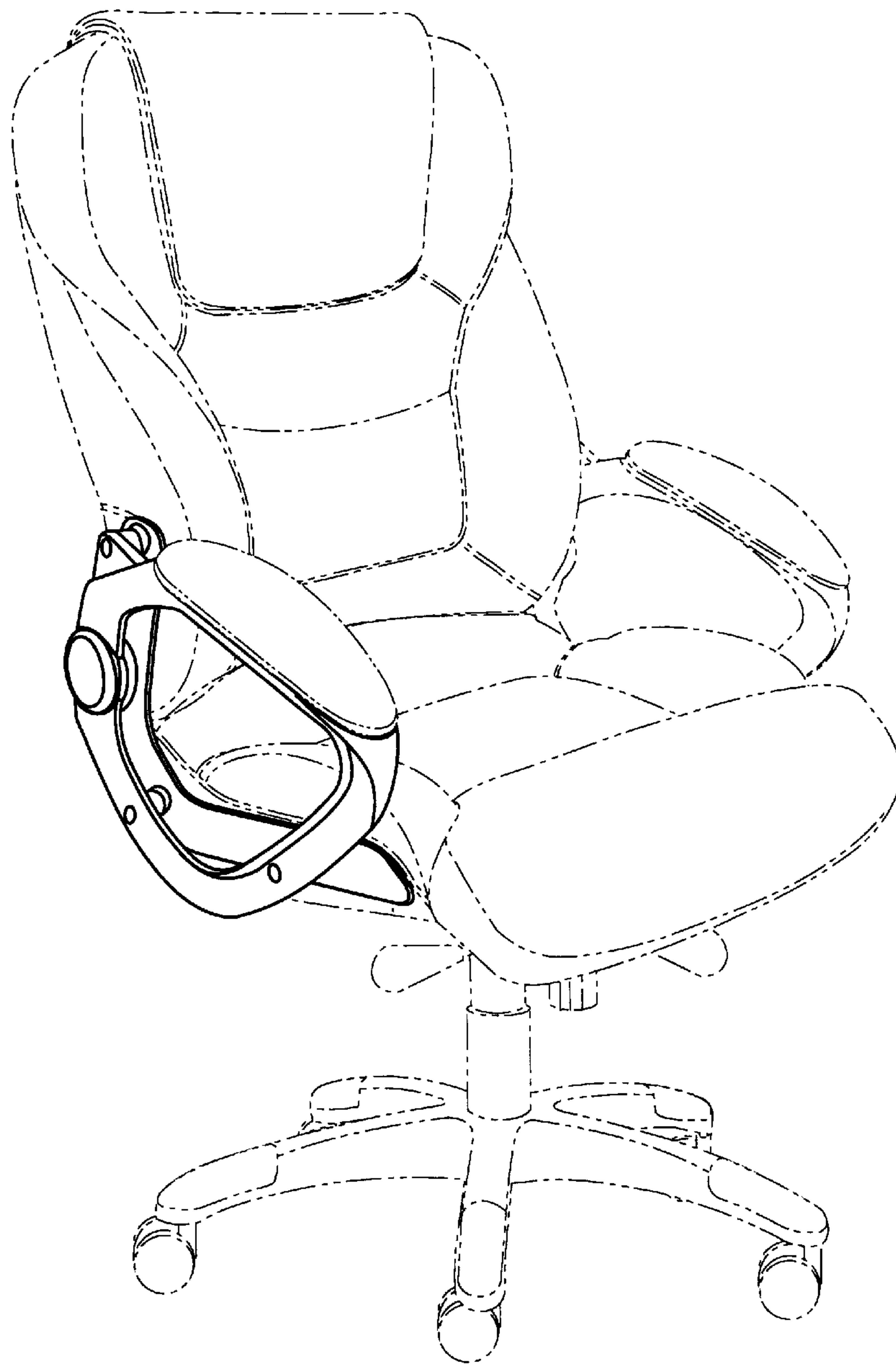


FIG. 1

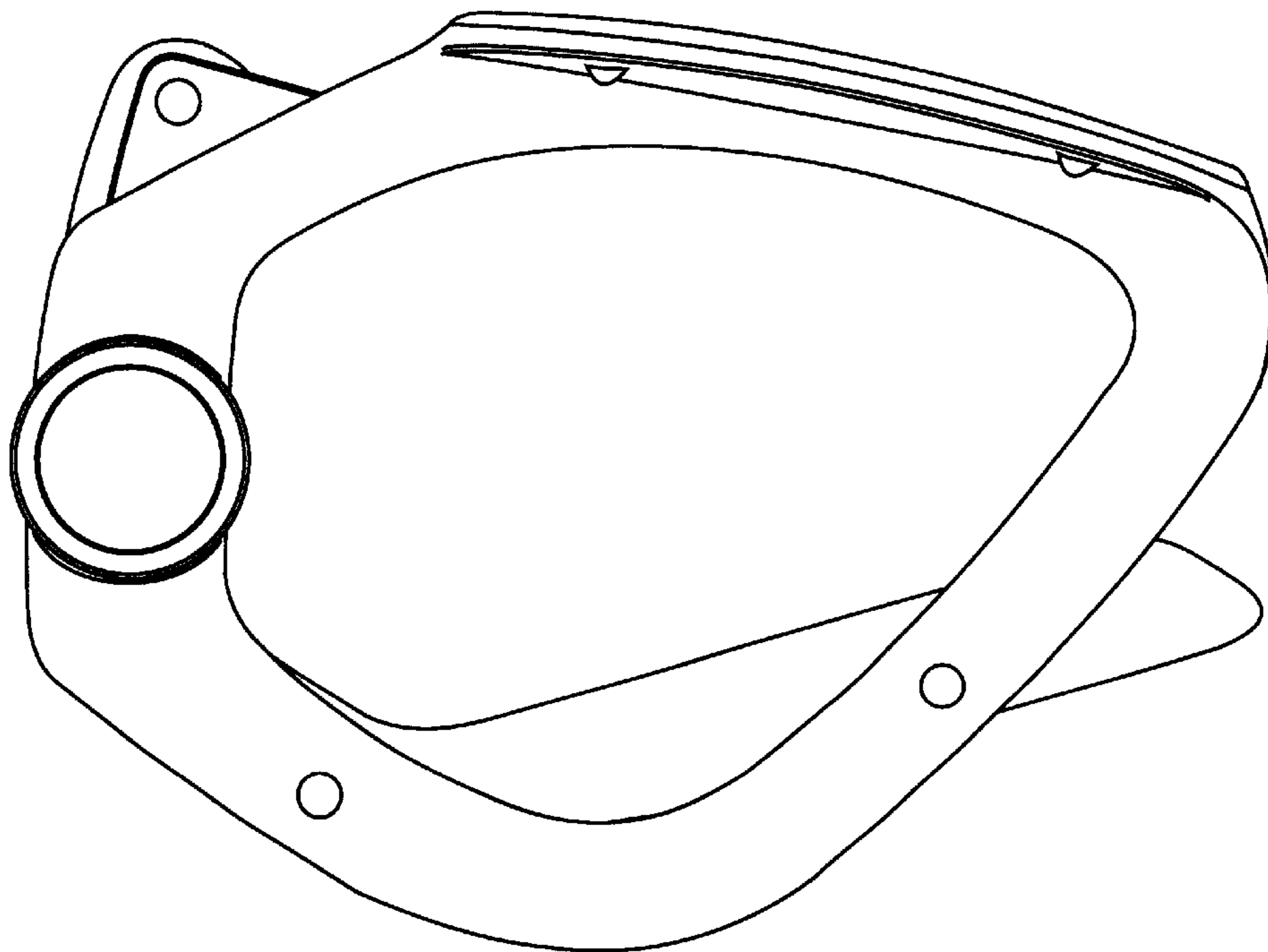


FIG. 2

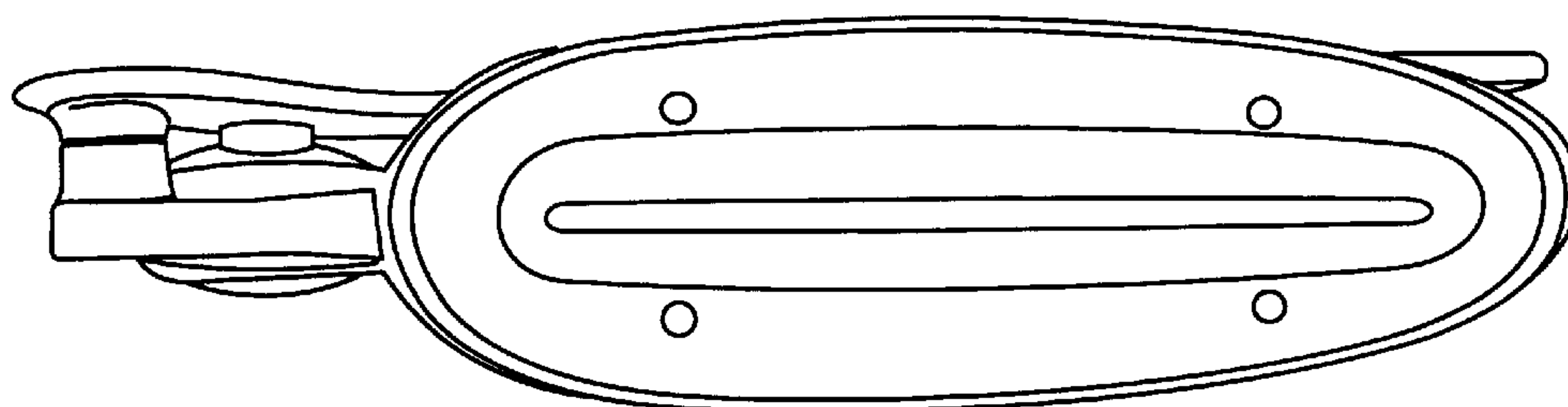


FIG. 3

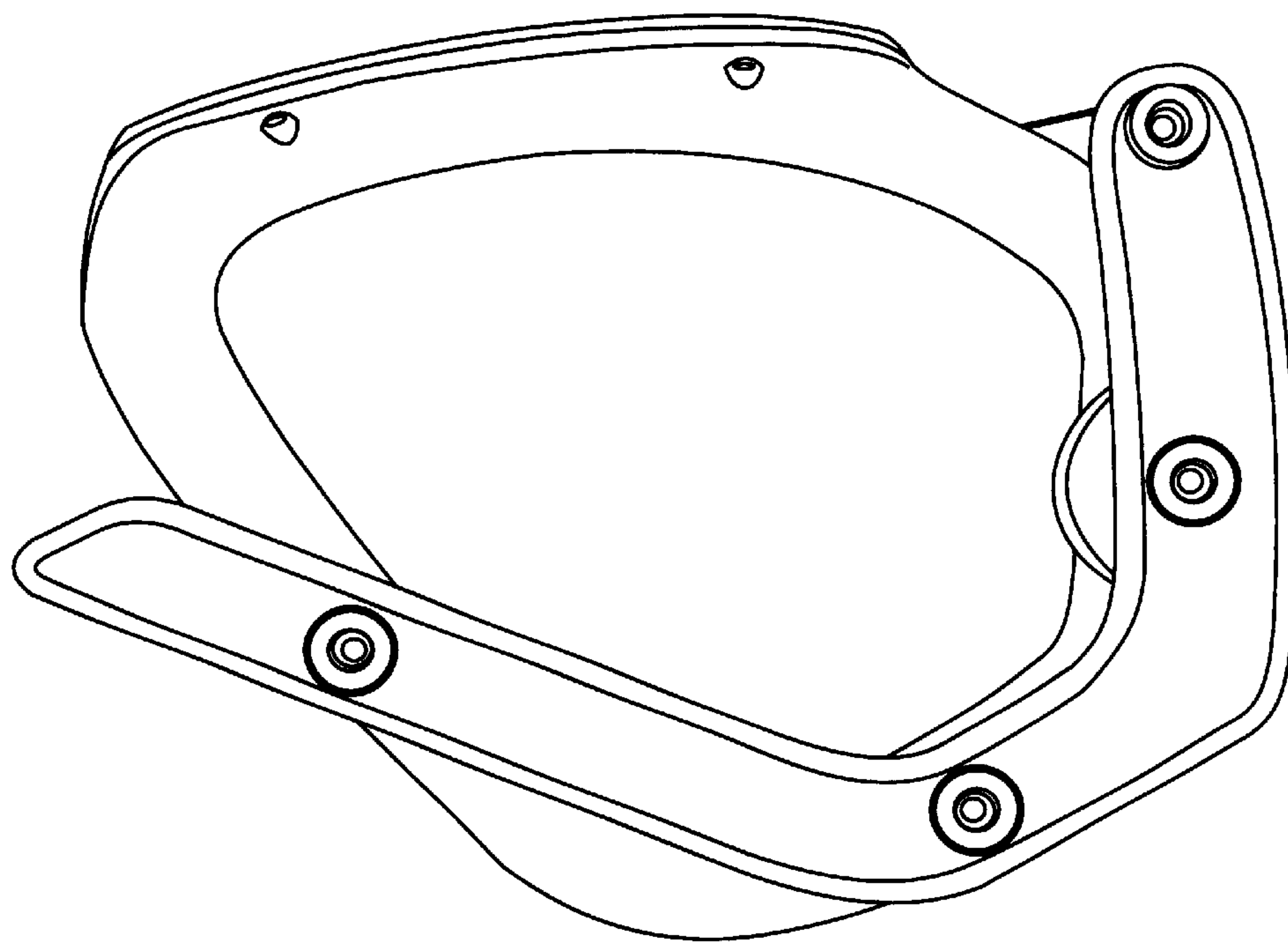


FIG. 4

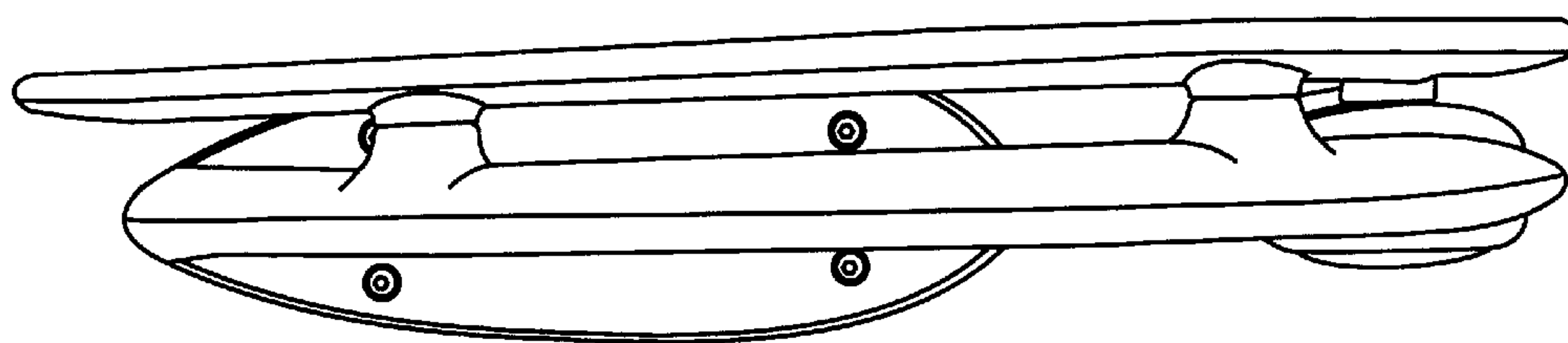


FIG. 5

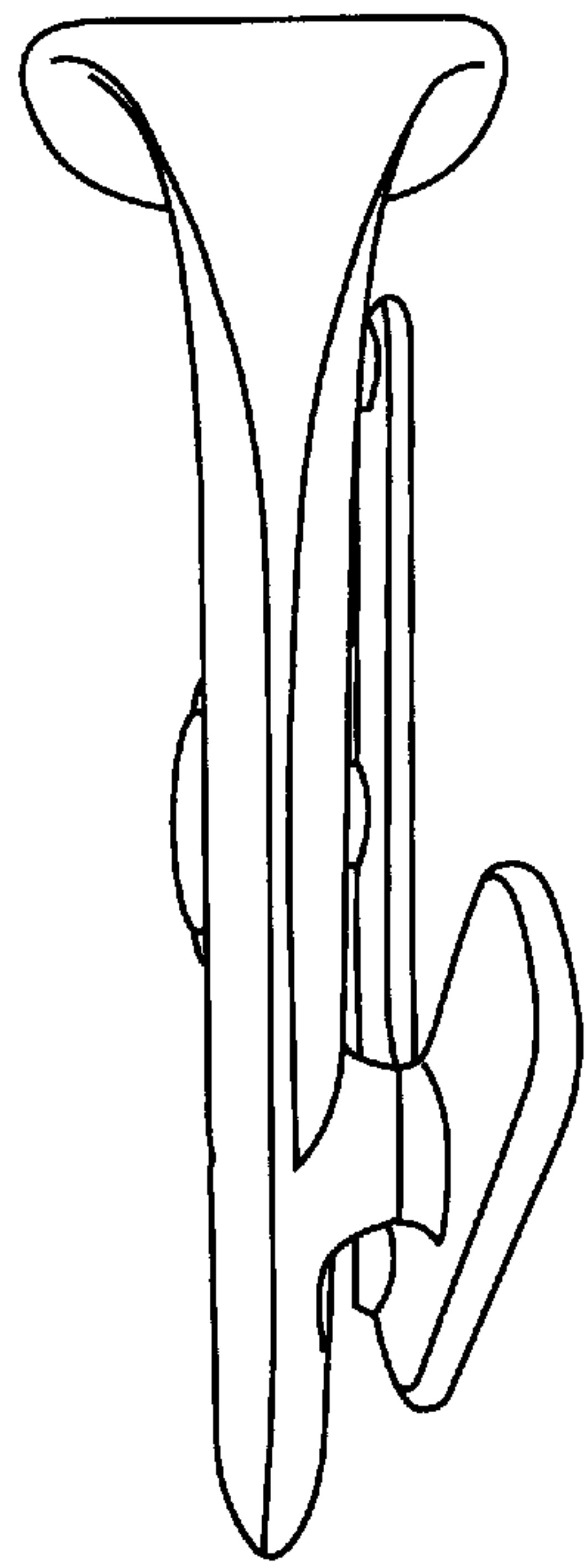


FIG. 6

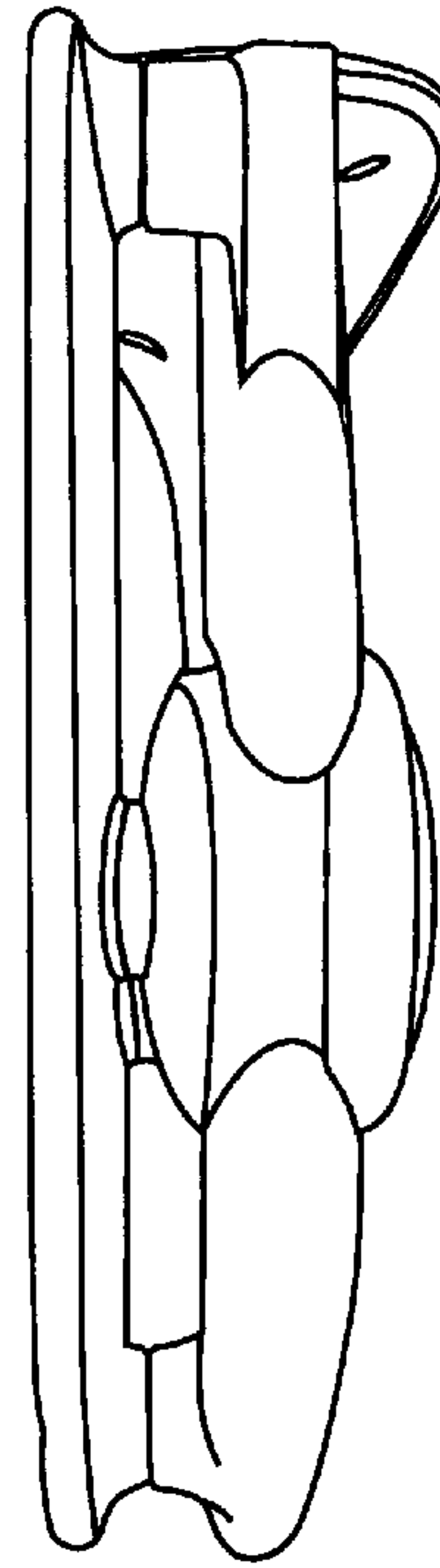


FIG. 7

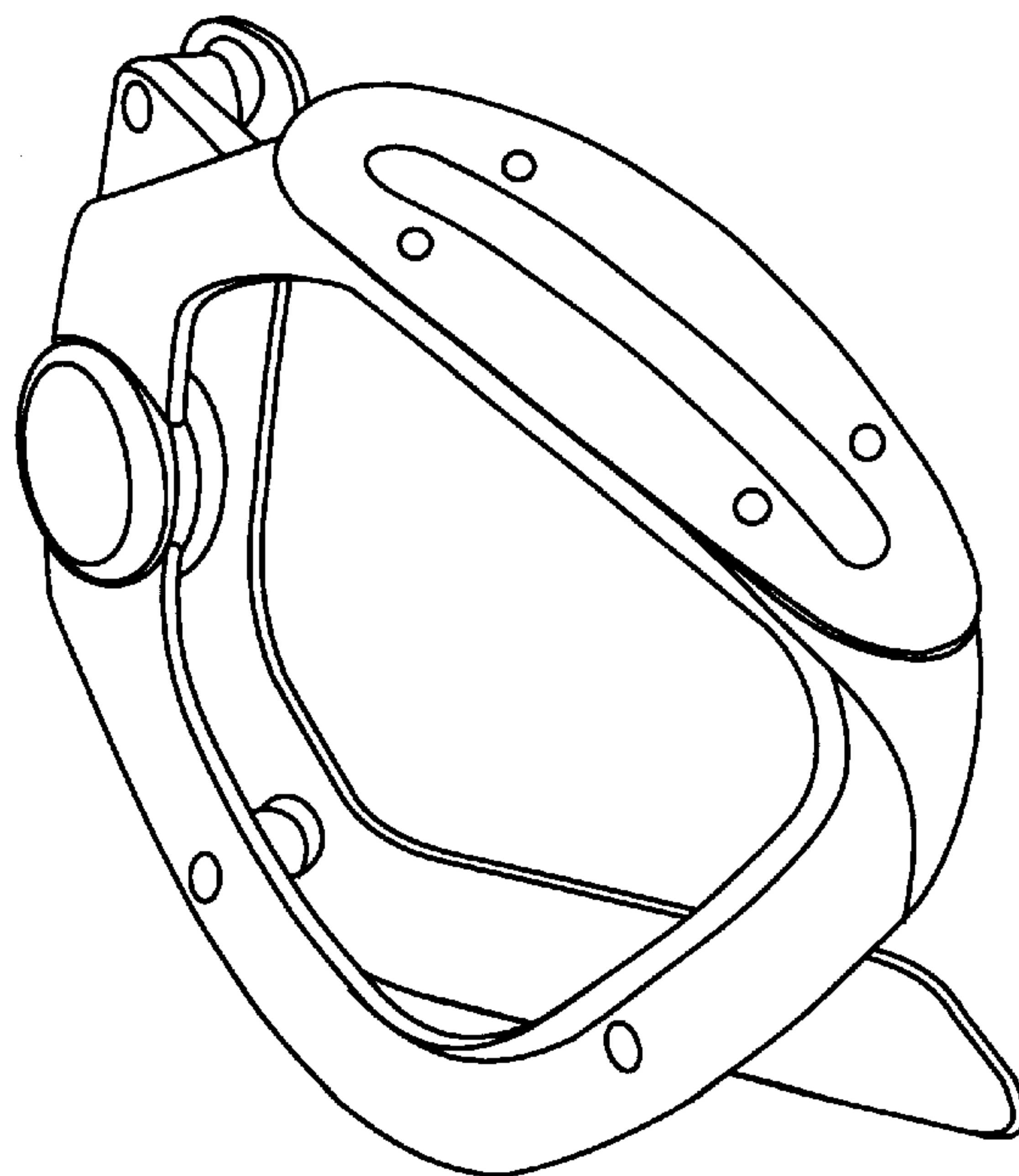


FIG. 8