



US00D539575S

(12) **United States Design Patent**  
**McDiarmid et al.**

(10) **Patent No.:** **US D539,575 S**

(45) **Date of Patent:** **\*\* Apr. 3, 2007**

(54) **CHAIR ARM**

D499,895 S \* 12/2004 Olson et al. .... D6/366  
D507,423 S \* 7/2005 Beaulieu et al. .... D6/366

(75) Inventors: **Ronald D. McDiarmid**, La Habra, CA (US); **Jose Enriques Ortiz**, Lewisville, TX (US)

\* cited by examiner

*Primary Examiner*—Mimosa De

(73) Assignee: **Gruga, U.S.A.**, Irwindale, CA (US)

(74) *Attorney, Agent, or Firm*—Sheppard, Mullin, Richter & Hampton LLP

(\*\*) Term: **14 Years**

(57) **CLAIM**

(21) Appl. No.: **29/255,113**

We claim the ornamental design of a chair arm, as shown and described.

(22) Filed: **Mar. 3, 2006**

**DESCRIPTION**

(51) **LOC (8) Cl.** ..... **06-06**

(52) **U.S. Cl.** ..... **D6/501; D6/366**

(58) **Field of Classification Search** ..... D6/334–336, D6/364, 365, 366, 367, 379, 491, 500–502; 297/411.2, 411.27, 411.28, 411.36, 411.37, 297/463.1

FIG. 1 is a left, front perspective view of a left-side version of a chair arm embodying our new design. A right-side version of the chair arm, which also embodies the design, is a mirror image thereof.

FIG. 2 is a front elevational view thereof.

FIG. 3 is a rear elevational view thereof.

FIG. 4 is a left side elevational view thereof.

FIG. 5 is a right side elevational view thereof.

FIG. 6 is a top plan elevational view thereof; and,

FIG. 7 is a bottom plan elevational view thereof.

The broken lines depicting the chair seat, chair backrest, and chair base are not part of the design.

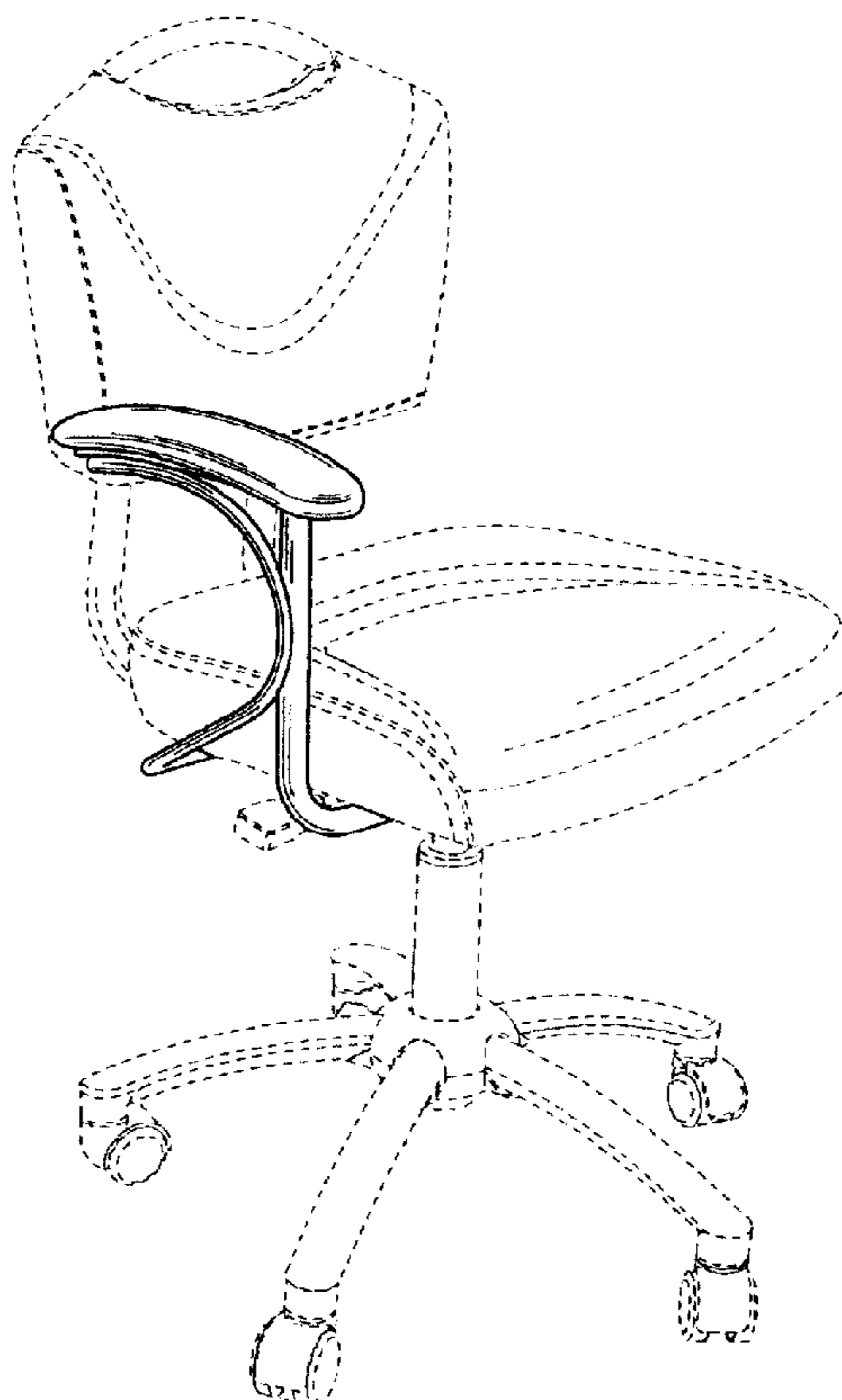
See application file for complete search history.

(56) **References Cited**

**U.S. PATENT DOCUMENTS**

D330,478 S \* 10/1992 Wogoman et al. .... D6/500  
D358,063 S \* 5/1995 Larkin ..... D6/366  
D486,315 S \* 2/2004 Beaulieu et al. .... D6/366  
D495,166 S \* 8/2004 Chu ..... D6/500

**1 Claim, 6 Drawing Sheets**



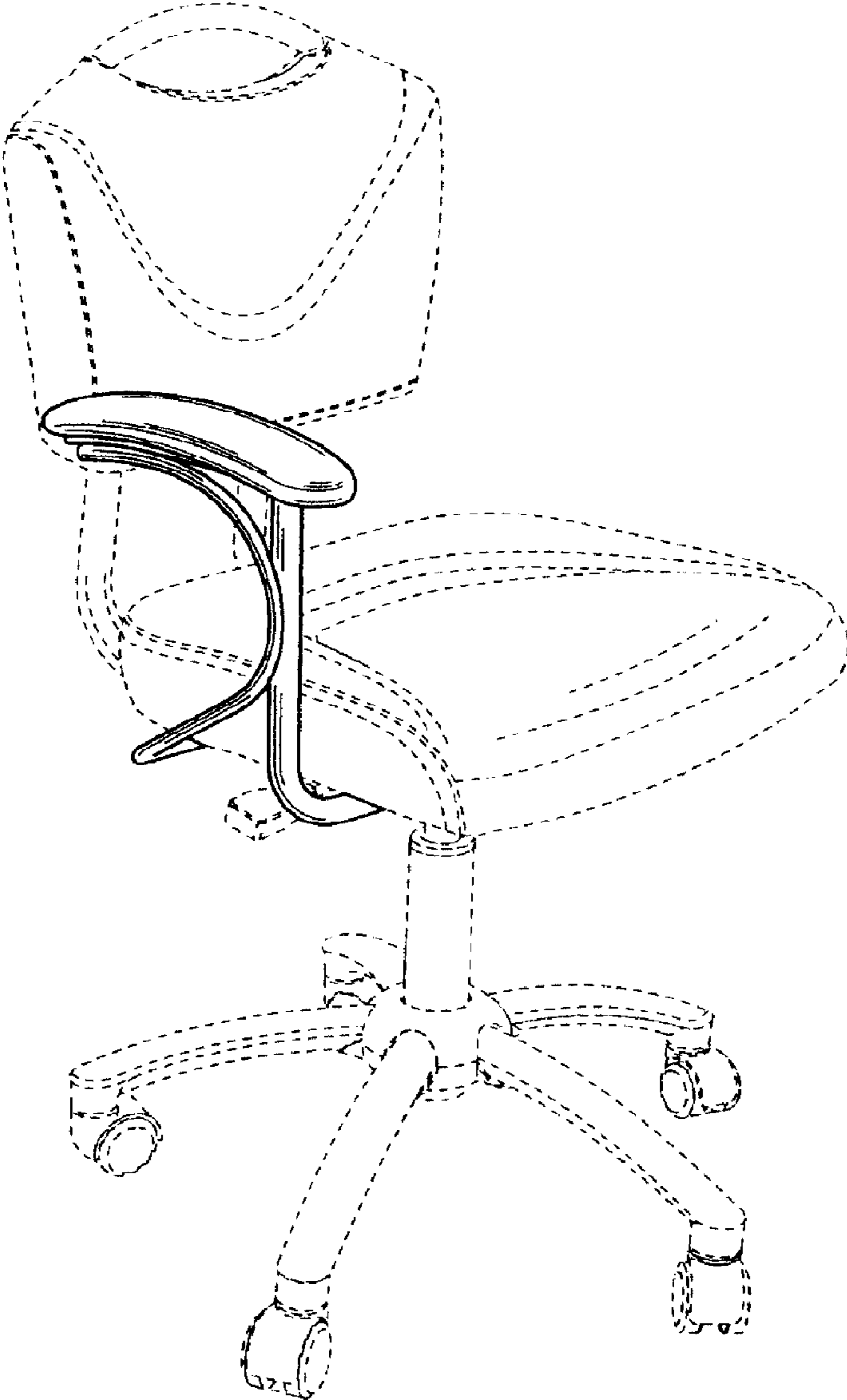
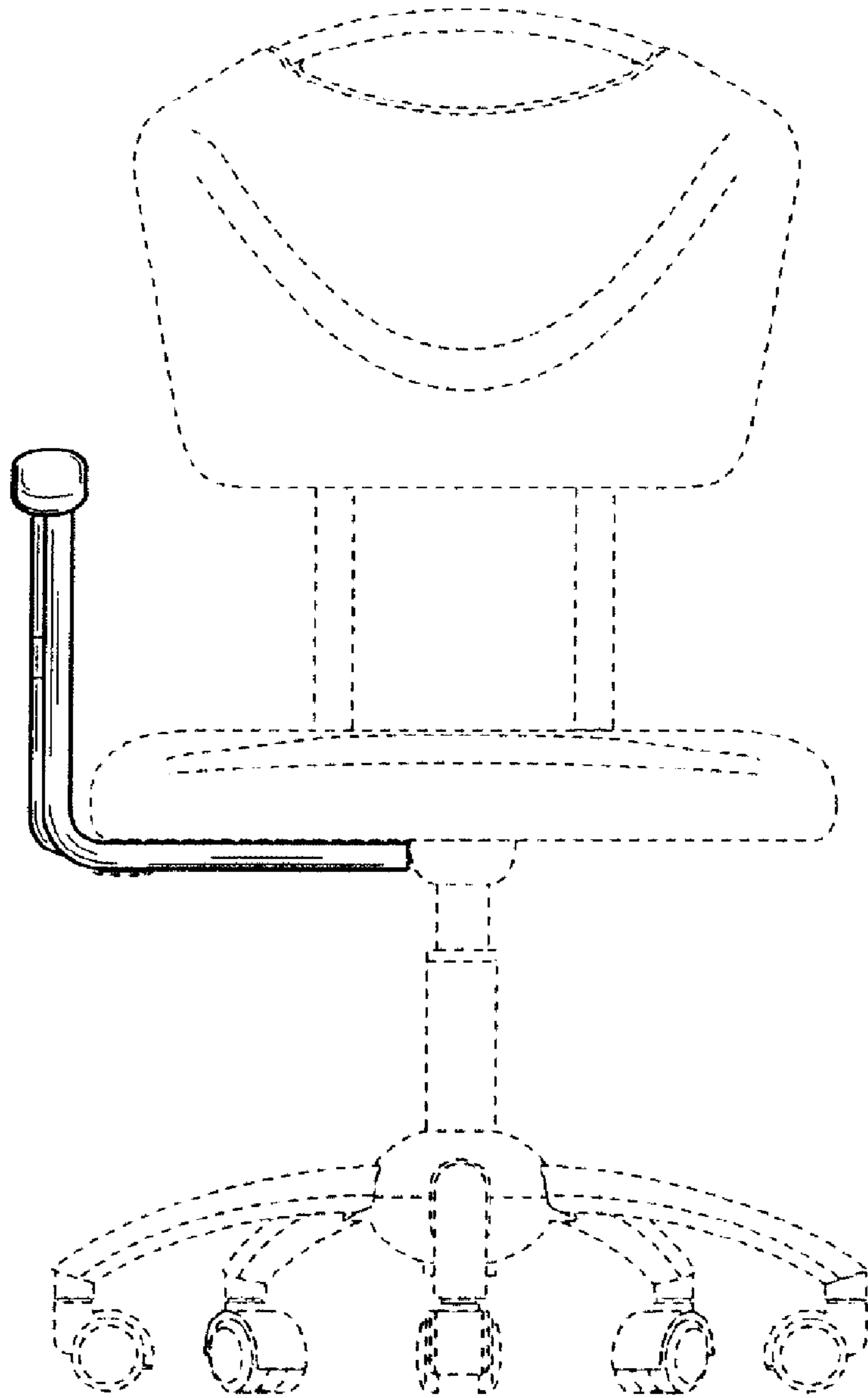
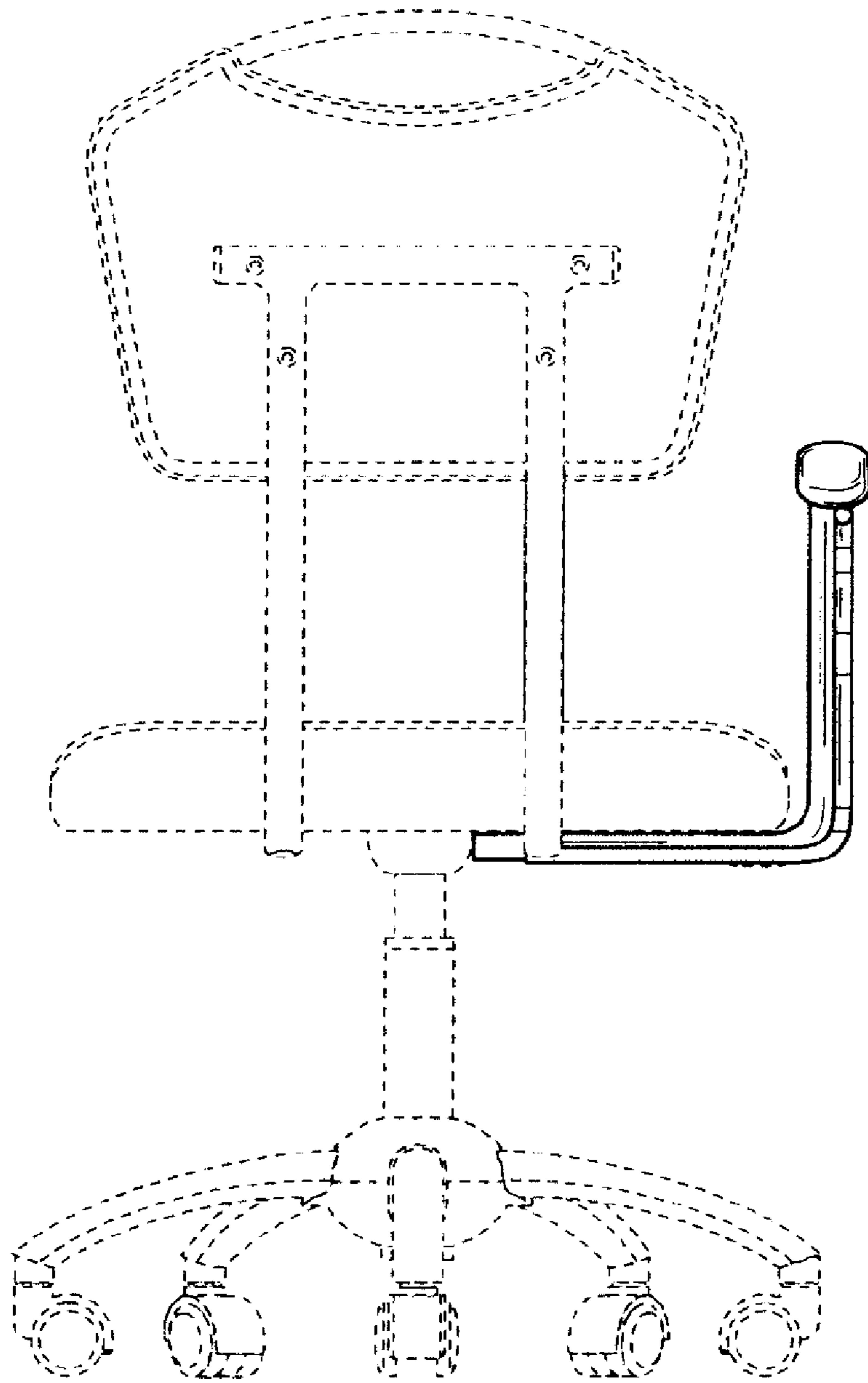


FIG. 1



**FIG. 2**



**FIG. 3**

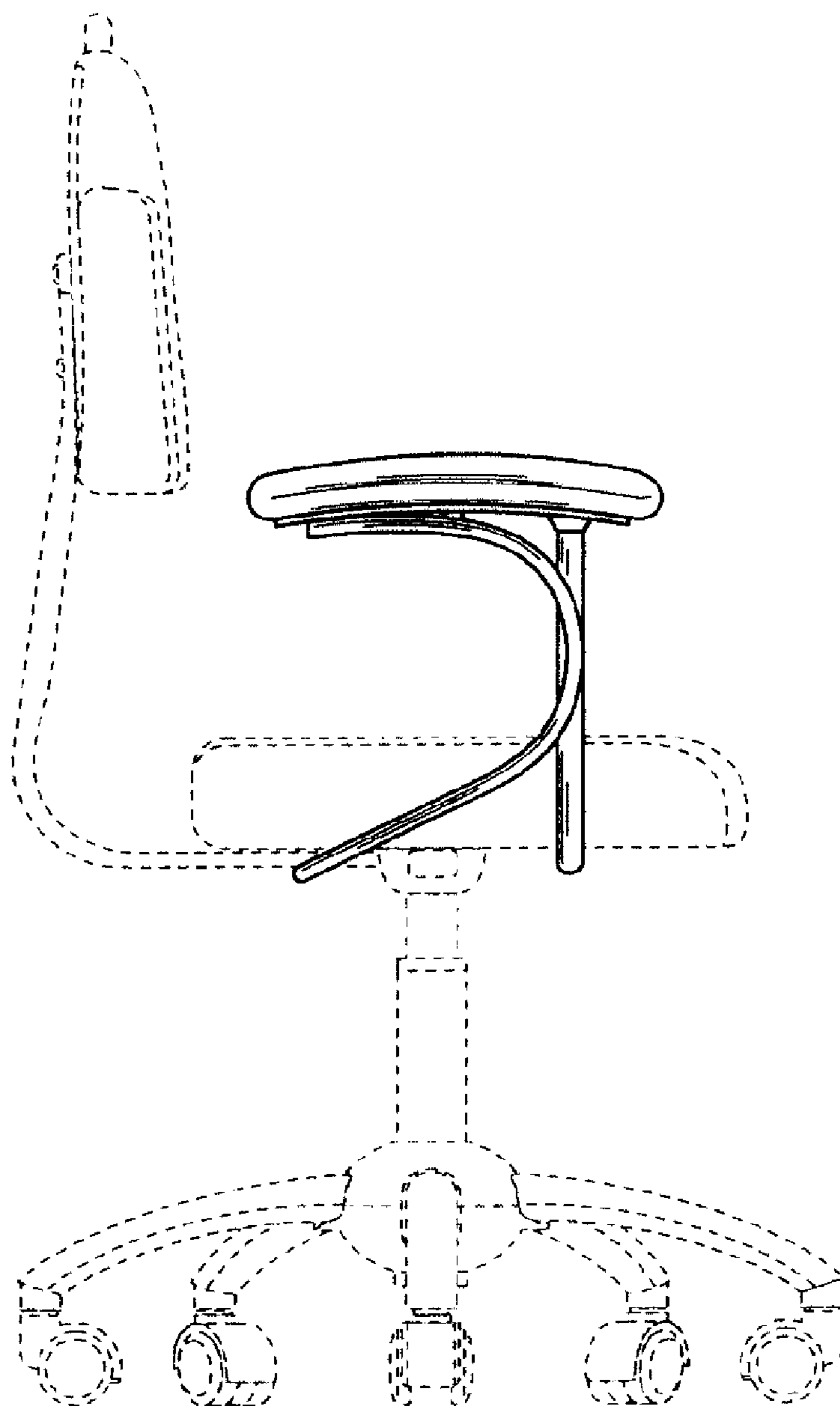


FIG. 4

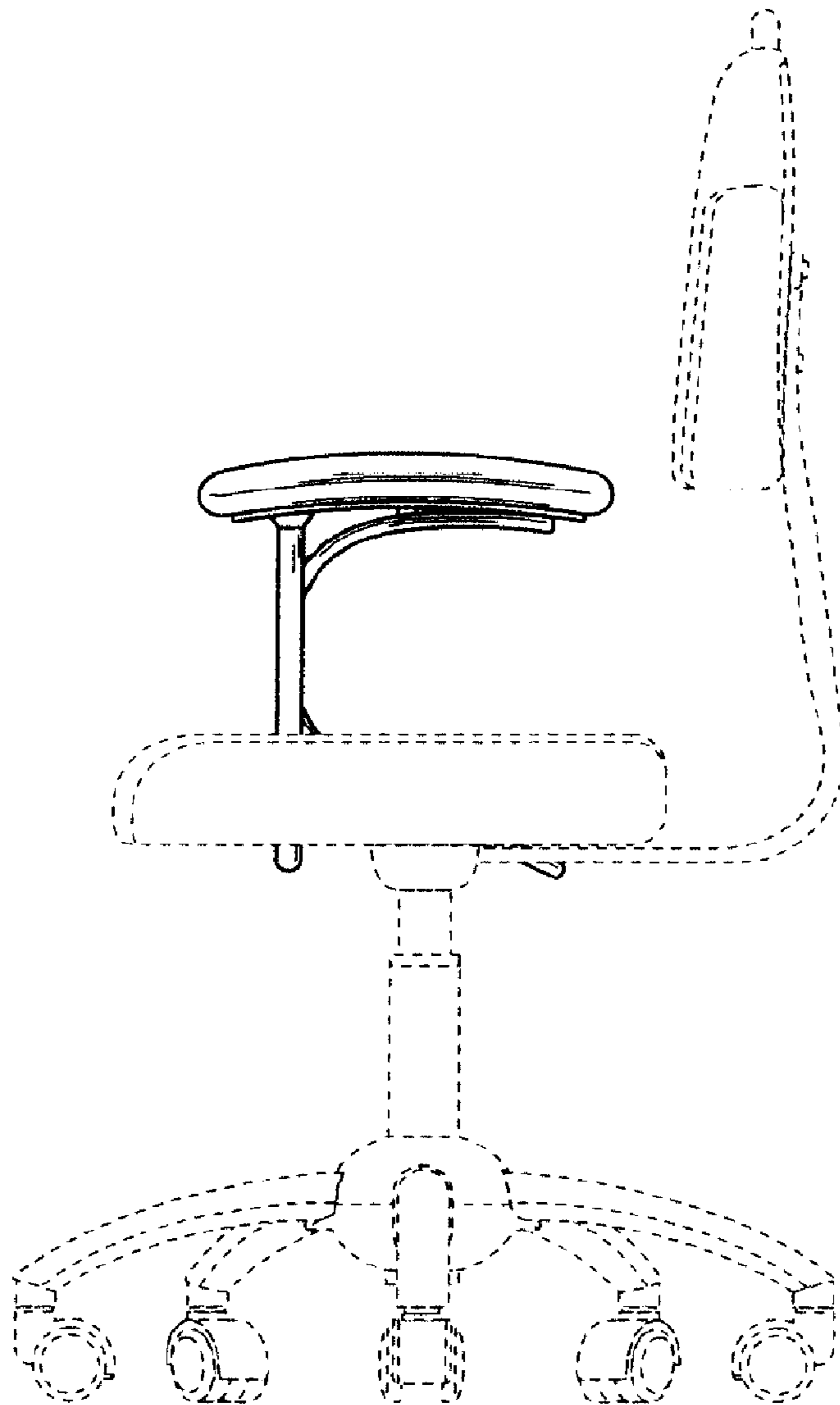


FIG. 5

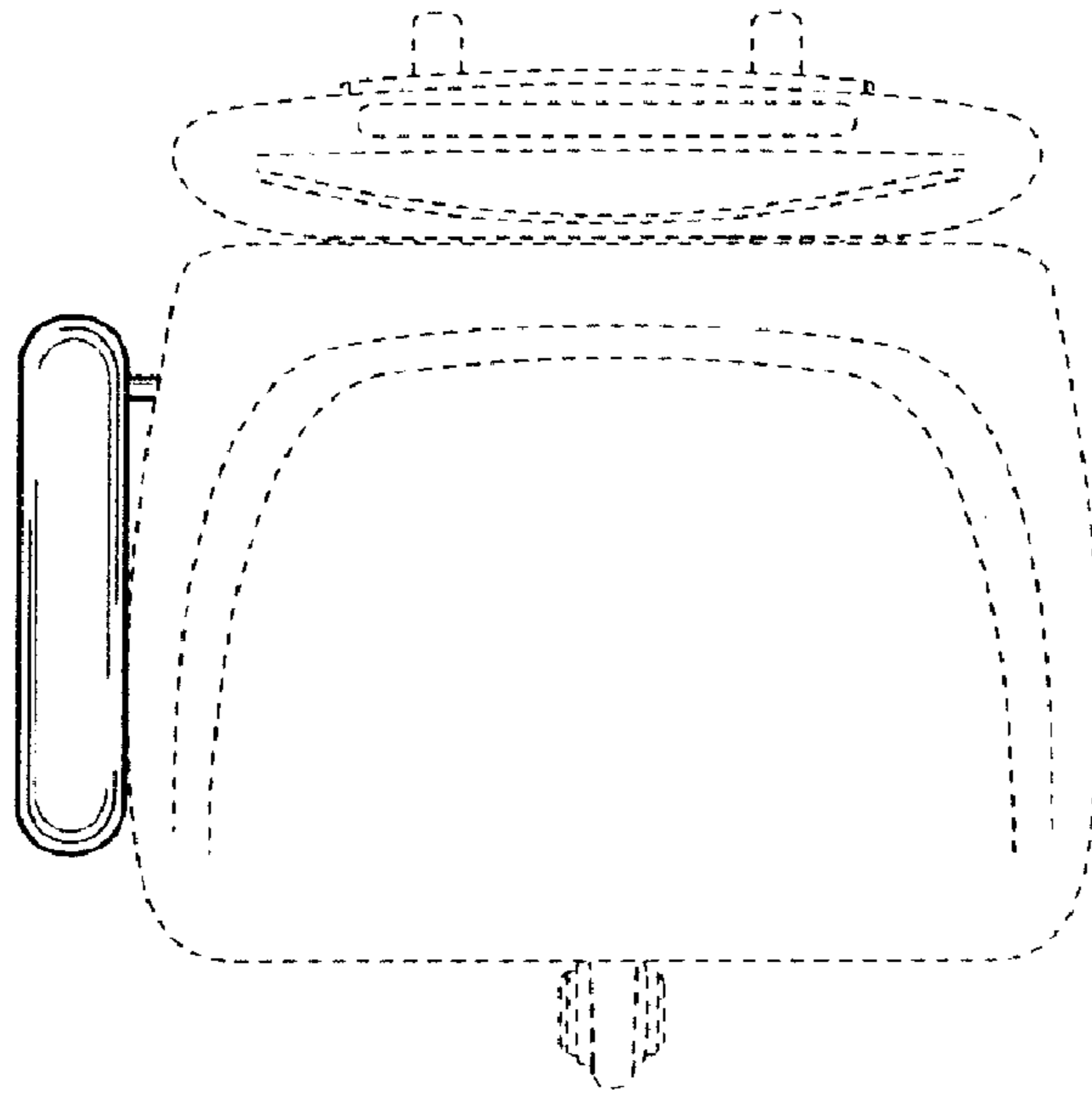


FIG. 6

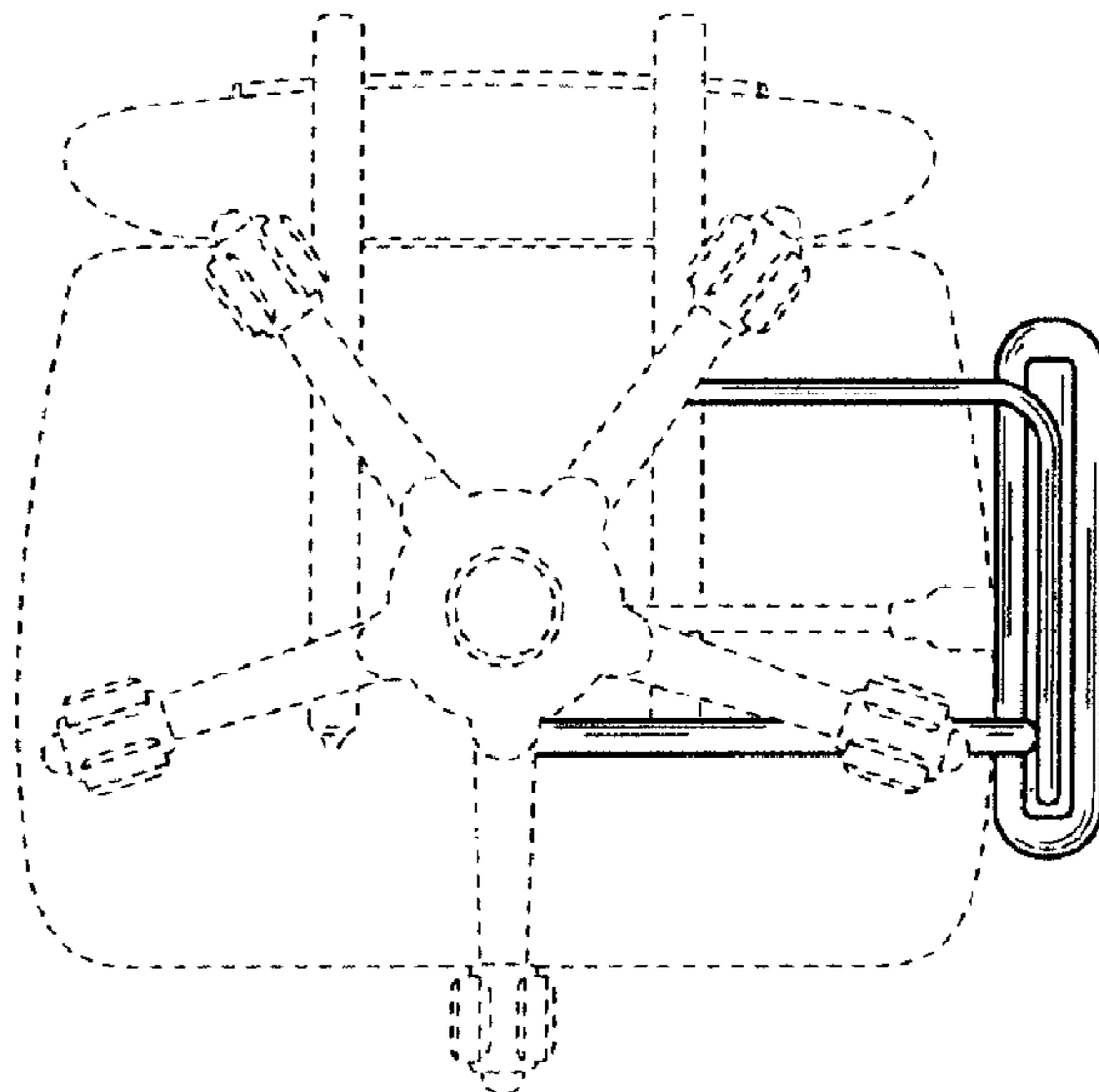


FIG. 7