



US00D539572S

(12) **United States Design Patent**  
**Nguyen**

(10) **Patent No.:** **US D539,572 S**

(45) **Date of Patent:** **\*\* Apr. 3, 2007**

(54) **DETACHABLY MOUNTED HEAD RESTRAINT**

2003/0234567 A1 \* 12/2003 O'Connor ..... 297/391  
2005/0179300 A1 \* 8/2005 O'Connor et al. .... 297/391

(76) Inventor: **Son K. Nguyen**, 6 Back Bay Ct.,  
Sacramento, CA (US) 95823

\* cited by examiner

*Primary Examiner*—Mimosa De

(74) *Attorney, Agent, or Firm*—R. Michael West

(\*\*) Term: **14 Years**

(57) **CLAIM**

(21) Appl. No.: **29/231,413**

The ornamental design for a detachably mounted head restraint, as shown and described.

(22) Filed: **Jun. 3, 2005**

**DESCRIPTION**

(51) **LOC (8) Cl.** ..... **06-06**

(52) **U.S. Cl.** ..... **D6/501**

(58) **Field of Classification Search** ..... D6/334,  
D6/335, 336, 356, 500, 501, 502, 595, 596,  
D6/601; 297/220, 391, 394, 397

See application file for complete search history.

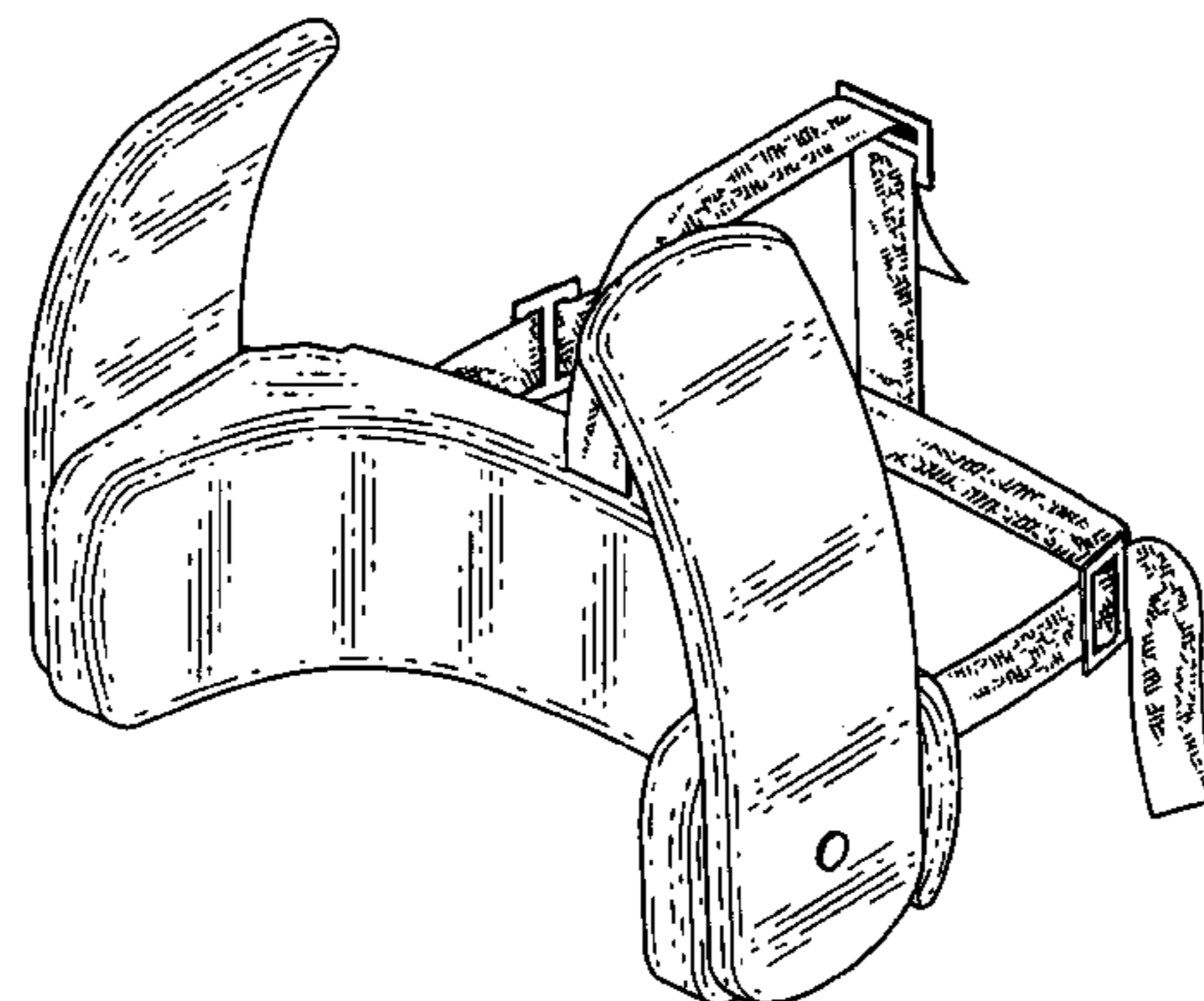
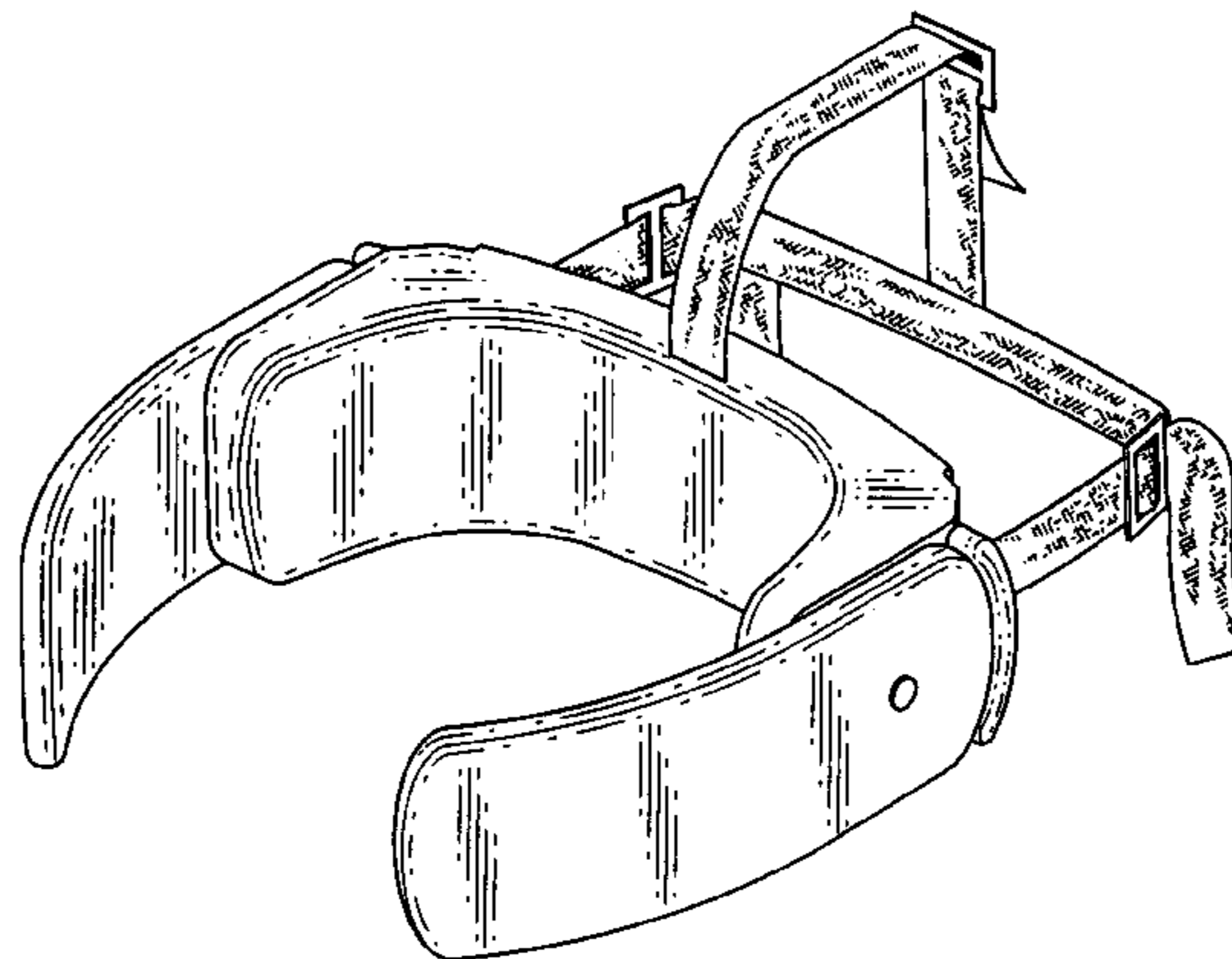
FIG. 1 is a left front perspective of a detachably mounted head restraint, showing my new design;  
FIG. 2 is a top plan view, thereof;  
FIG. 3 is a front elevational view, thereof;  
FIG. 4 is an elevational view of one side, thereof, the other side elevational view being a mirror image, thereof;  
FIG. 5 is a bottom plan view, thereof;  
FIG. 6 is a rear elevational view, thereof;  
FIG. 7 is a view as in FIG. 1, but showing the lateral head restraints pivoted upwardly into an alternative position; and,  
FIG. 8 is a perspective view, taken to a reduced scale, the broken line representation of an individual's head and the upper portion of a car seat and head rest being included solely for illustrative purposes, forming no part of the claimed design.

(56) **References Cited**

**U.S. PATENT DOCUMENTS**

4,440,443	A	*	4/1984	Nordskog	.....	297/397
4,838,611	A	*	6/1989	Talaugon	.....	297/391
5,154,477	A	*	10/1992	Lacy	.....	297/397
D353,497	S	*	12/1994	Bergkvist et al.	.....	D6/356
5,370,446	A	*	12/1994	Bancod	.....	297/220
6,123,389	A	*	9/2000	O'Connor et al.	.....	297/397
D436,271	S	*	1/2001	Corti	.....	D6/501
6,893,094	B2	*	5/2005	O'Connor	.....	297/397
7,093,903	B2	*	8/2006	O'Connor et al.	.....	297/397
2001/0054837	A1	*	12/2001	O'Connor	.....	297/397

**1 Claim, 2 Drawing Sheets**



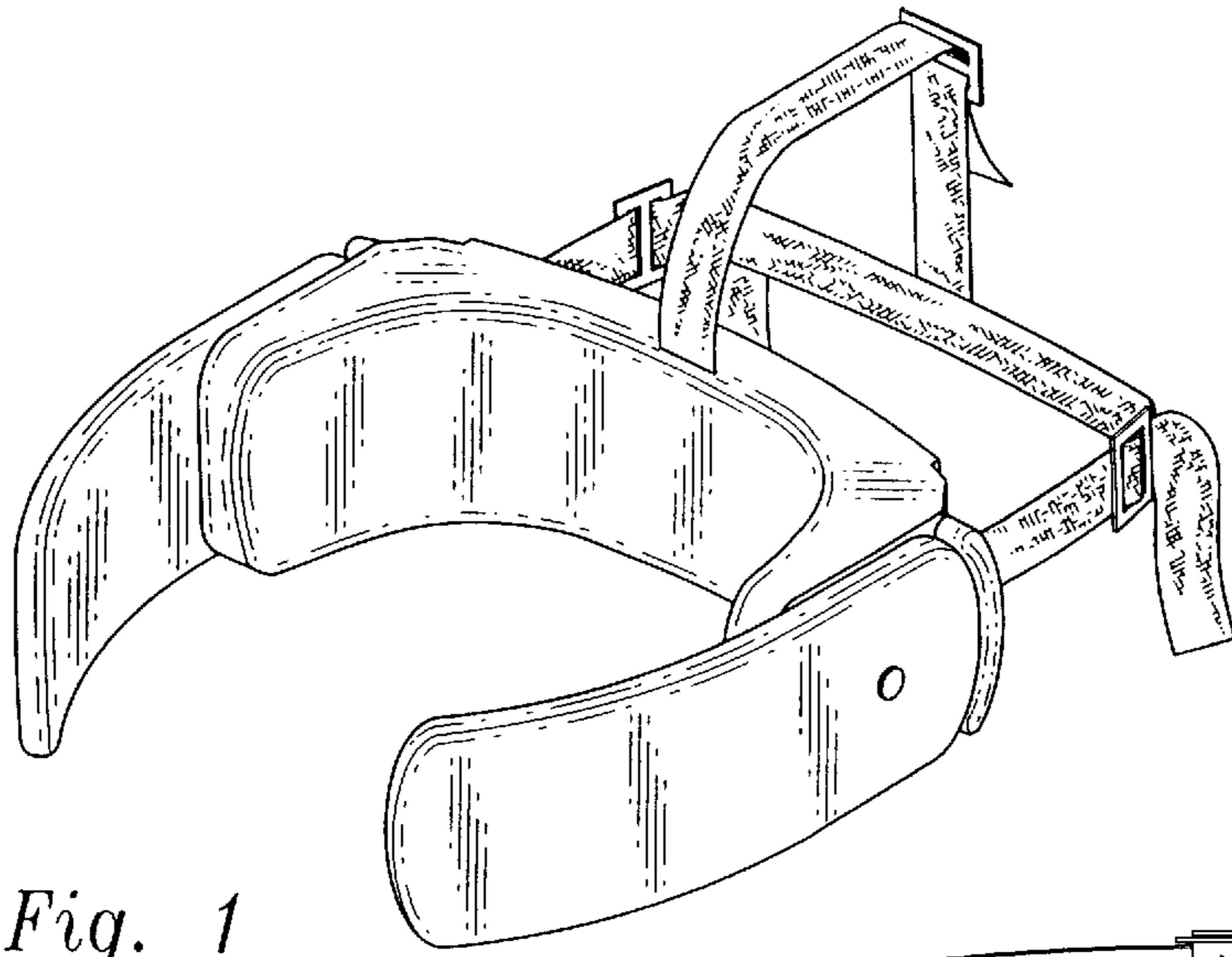


Fig. 1

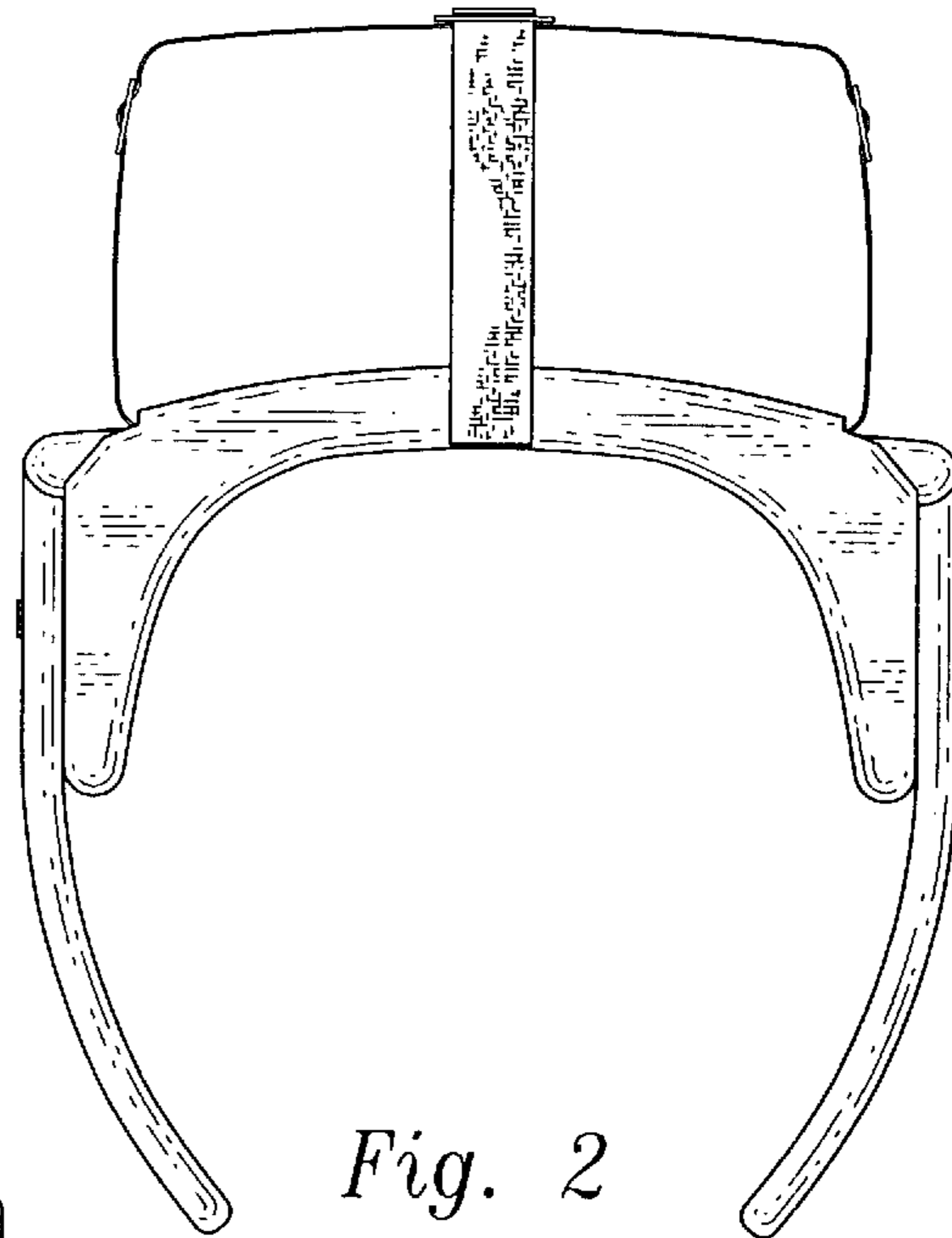


Fig. 2

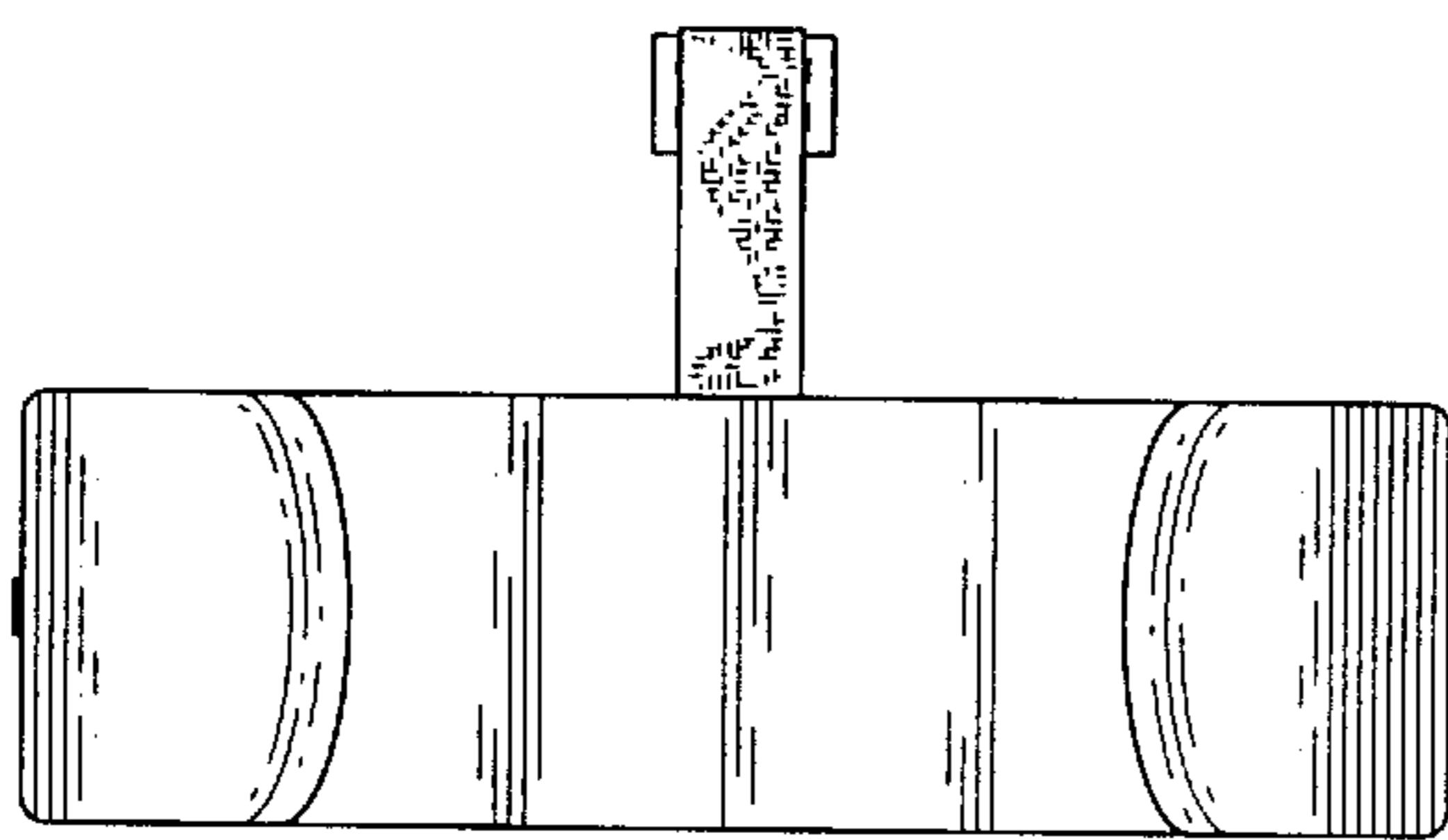


Fig. 3

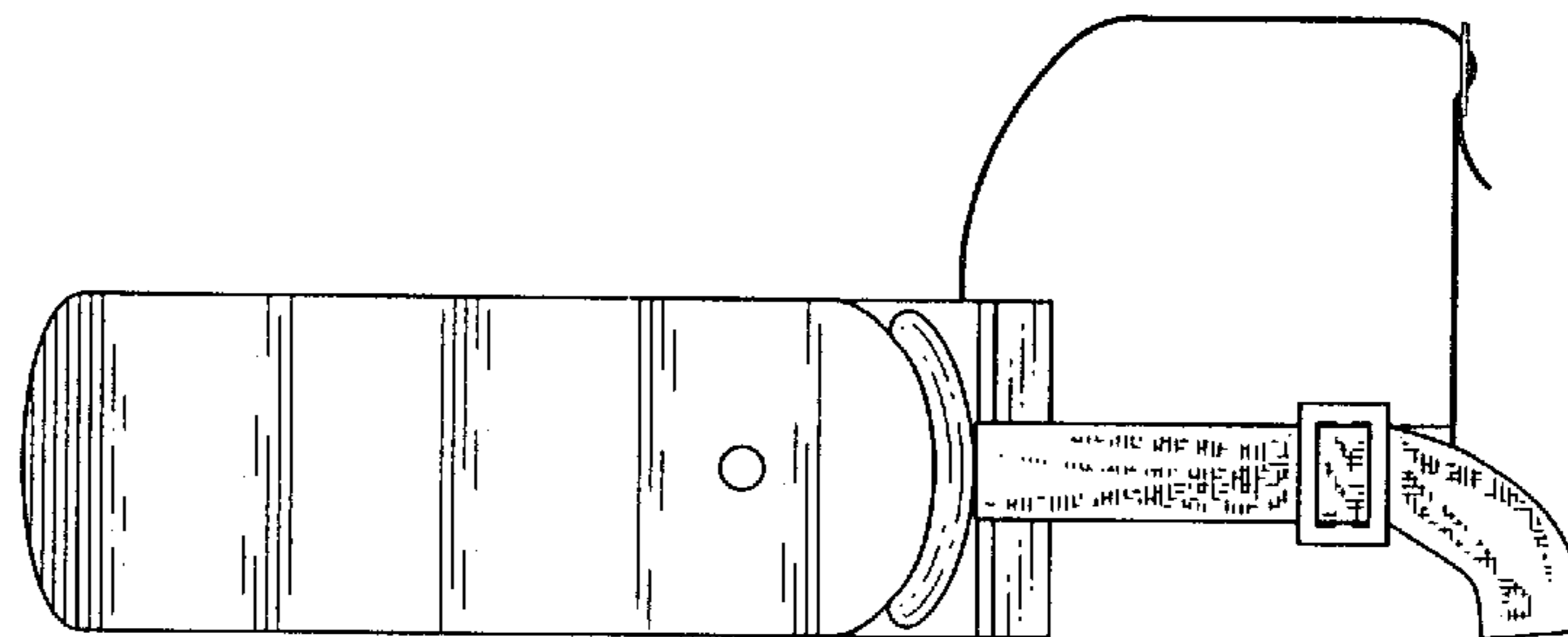


Fig. 4

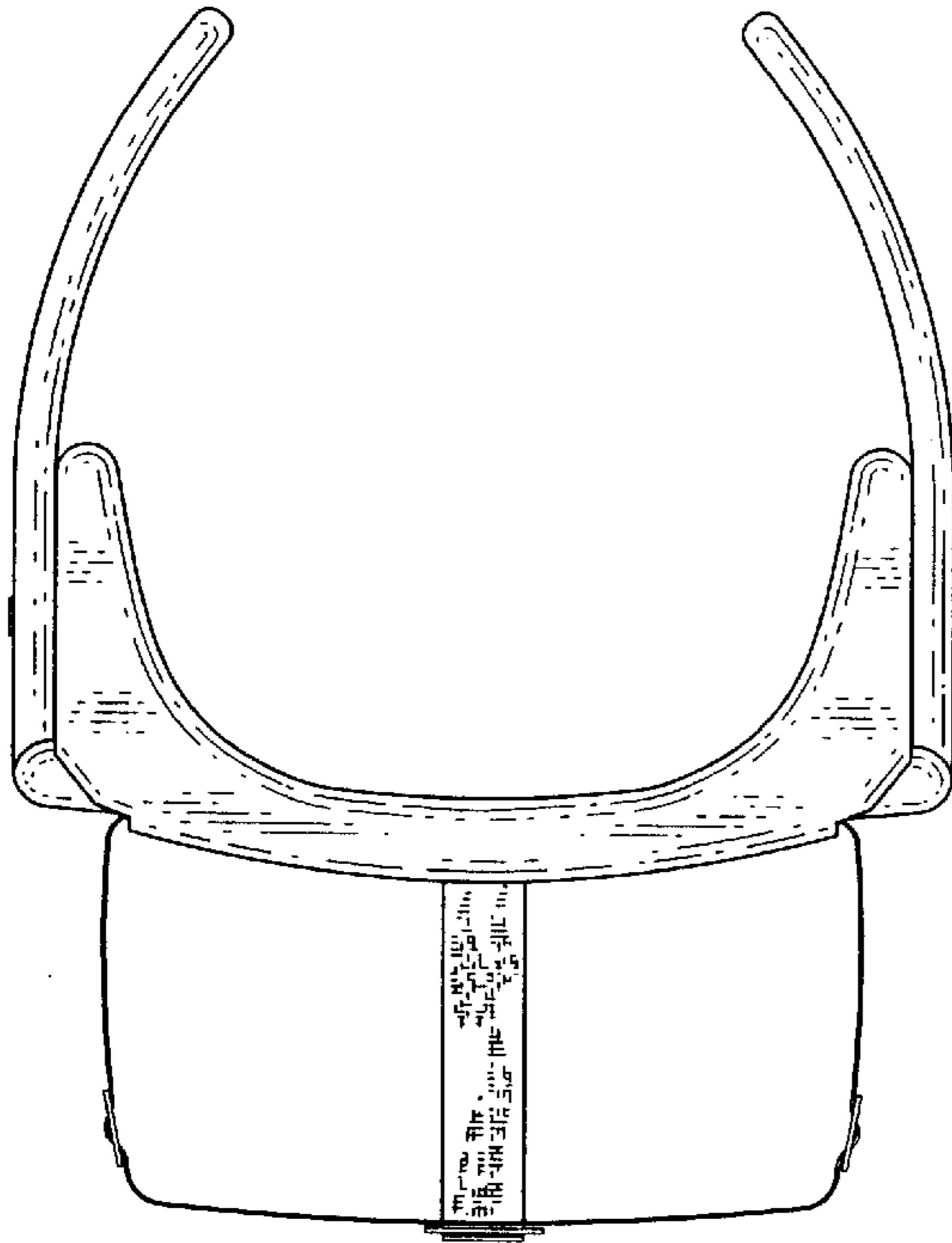


Fig. 5

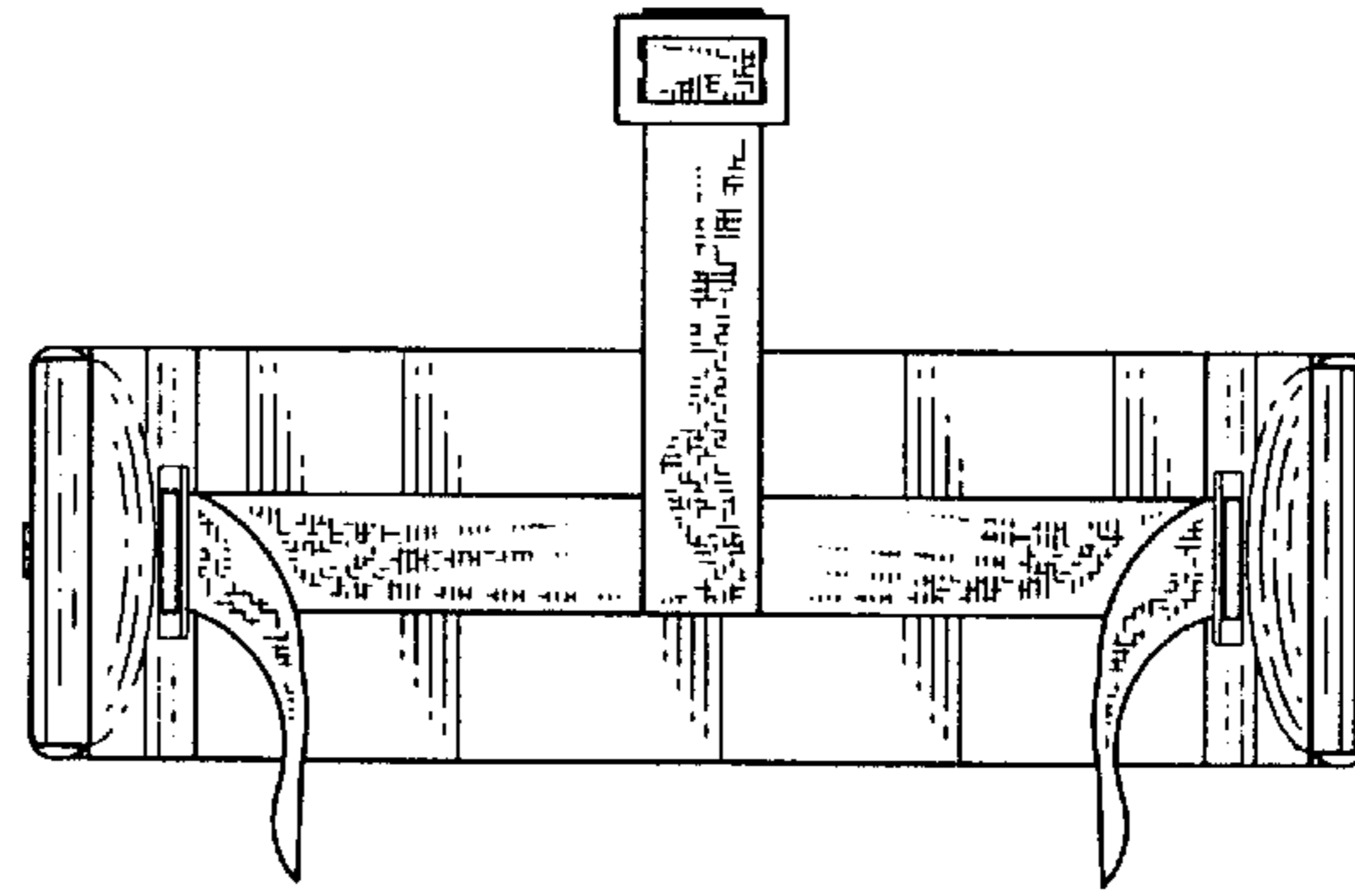


Fig. 6

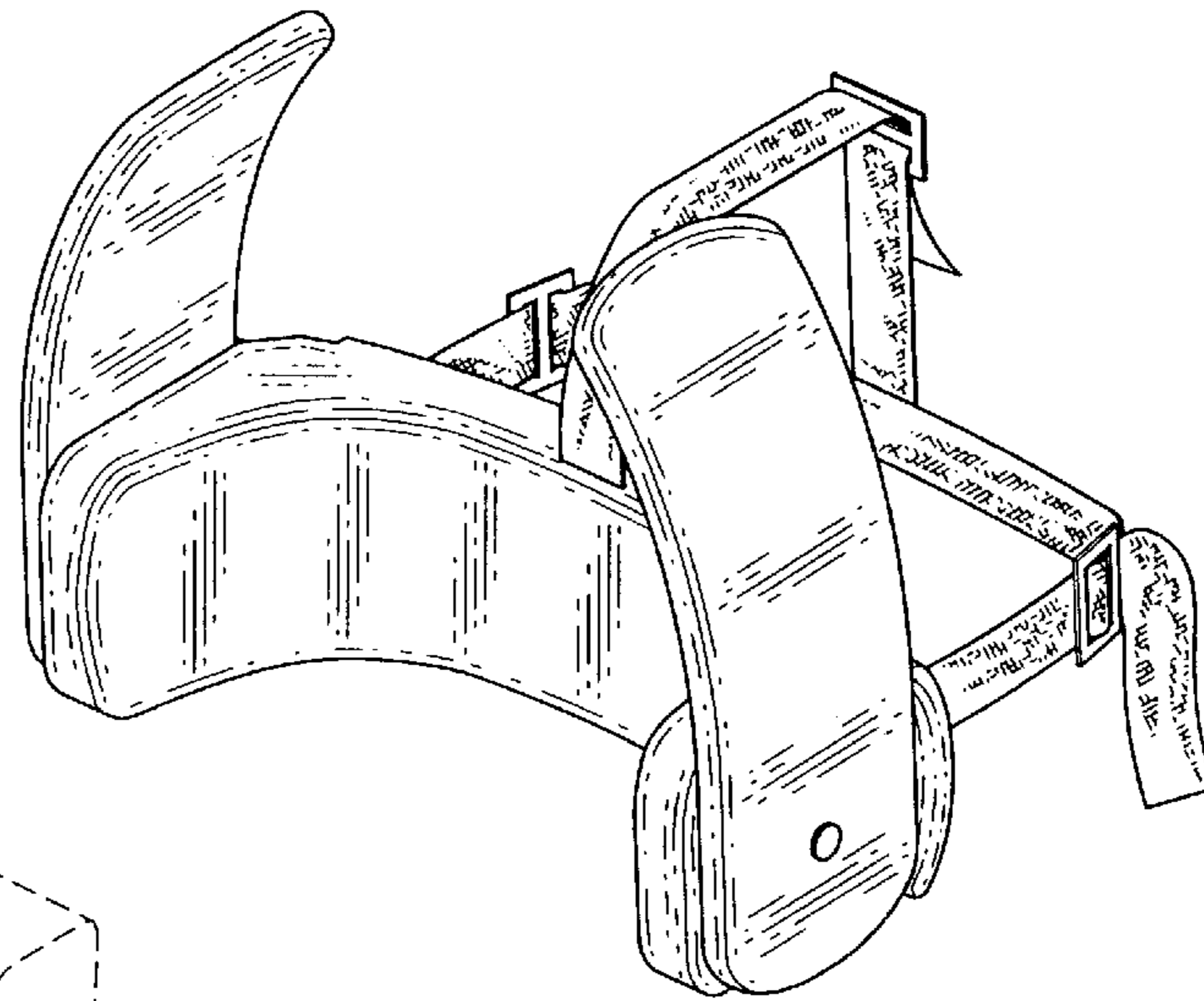


Fig. 7

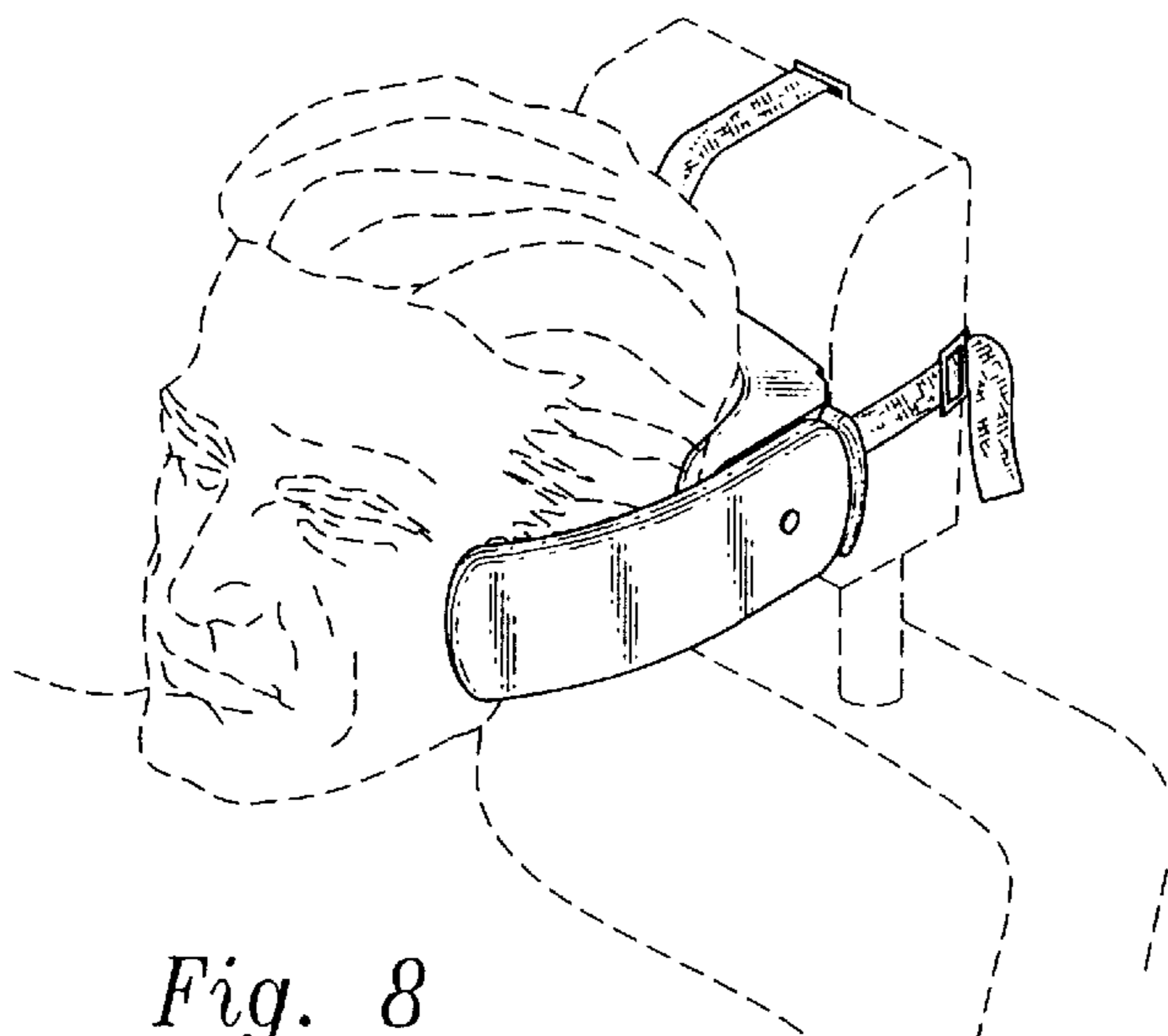


Fig. 8