



US00D539570S

(12) **United States Design Patent**
Maitland-Smith

(10) **Patent No.:** **US D539,570 S**

(45) **Date of Patent:** **** Apr. 3, 2007**

(54) **SABER ORNAMENTATION**

(75) Inventor: **Paul Maitland-Smith**, Phuket (TH)

(73) Assignee: **Statecraft International Inc.**, Port Vila (VU)

(**) Term: **14 Years**

(21) Appl. No.: **29/223,563**

(22) Filed: **Feb. 15, 2005**

(51) **LOC (8) Cl.** **06-03**

(52) **U.S. Cl.** **D6/493; D6/497**

(58) **Field of Classification Search** D6/480-489,
D6/495-499, 493, 450-453; 108/153.1, 155,
108/156, 161; 248/188, 188.1, 188.8; D22/118;
D21/568; 30/165, 340; 224/232

See application file for complete search history.

(56) **References Cited**

U.S. PATENT DOCUMENTS

- D22,008 S * 11/1892 Wixon D22/118
- D26,448 S * 12/1896 McKenzie D6/451
- D205,665 S * 9/1966 Nelson D6/495
- D319,744 S * 9/1991 Monti Riffeser D6/452
- D423,831 S * 5/2000 Massie et al. D6/495

OTHER PUBLICATIONS

5021-019 Engraved Brass Round Lamp Table Supported by Three Bronze Swords, Theodore Alexander brochure, p. 88, 2003.

5021-047 Occasional Table with Engraved Brass Top & Undertier on Bronze Sword Legs, Theodore Alexander brochure, p. 93, 2003.

5121-009 Bronze Sword Cocktail Table with Slides & Engraved Brass Top, Theodore Alexander brochure, p. 139, 2003.

* cited by examiner

Primary Examiner—Janice E. Seeger

(74) *Attorney, Agent, or Firm*—Womble Carlyle Sandridge & Rice, PLLC

(57) **CLAIM**

The ornamental design for saber ornamentation, as shown and described.

DESCRIPTION

FIG. 1 is a perspective view of saber ornamentation showing my new design;

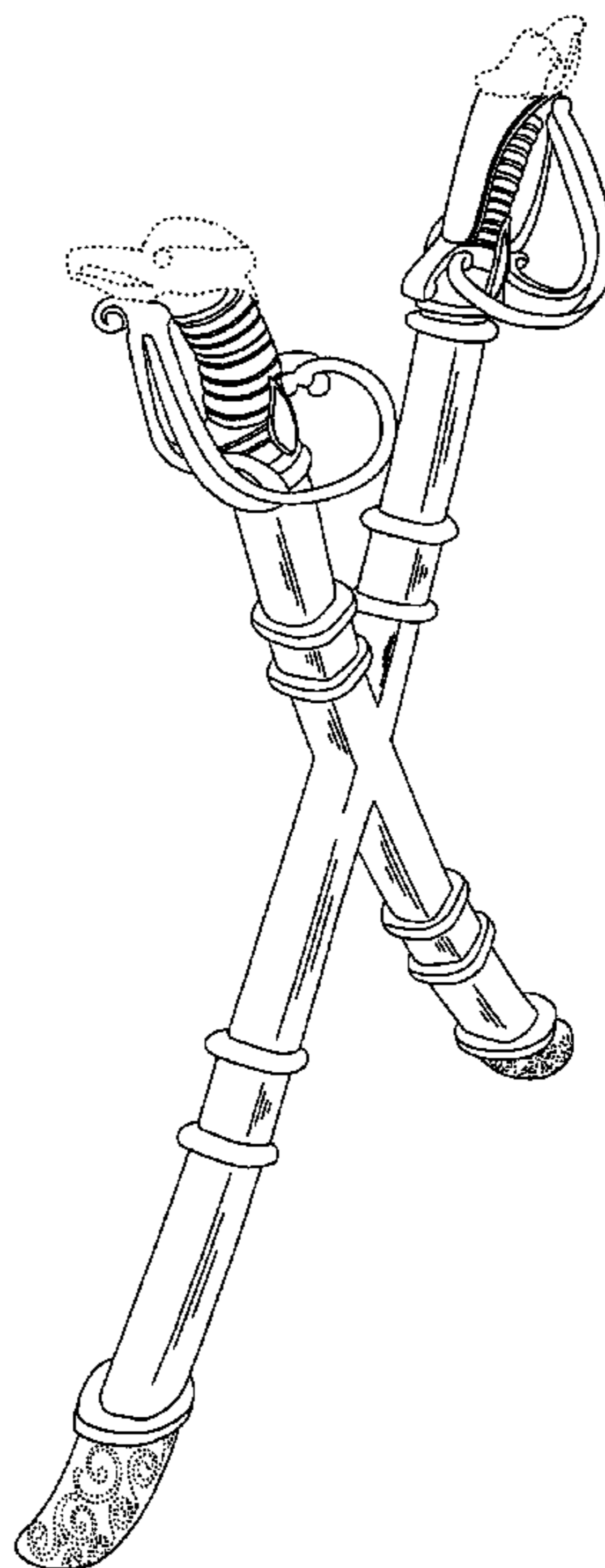
FIG. 2 is a front elevational view thereof;

FIG. 3 is a perspective view of a second embodiment of saber ornamentation; and,

FIG. 4 is a perspective view thereof with a table shown in broken lines as environmental elements.

The views of the saber ornamentation not shown form no part of the claimed design. The broken lines depicting an eagle head and scroll ornamentation represent environmental elements only and form no part of the claimed design. The broken lines depicting a table in FIG. 4 represent environmental elements only and form no part of the claimed design.

1 Claim, 4 Drawing Sheets



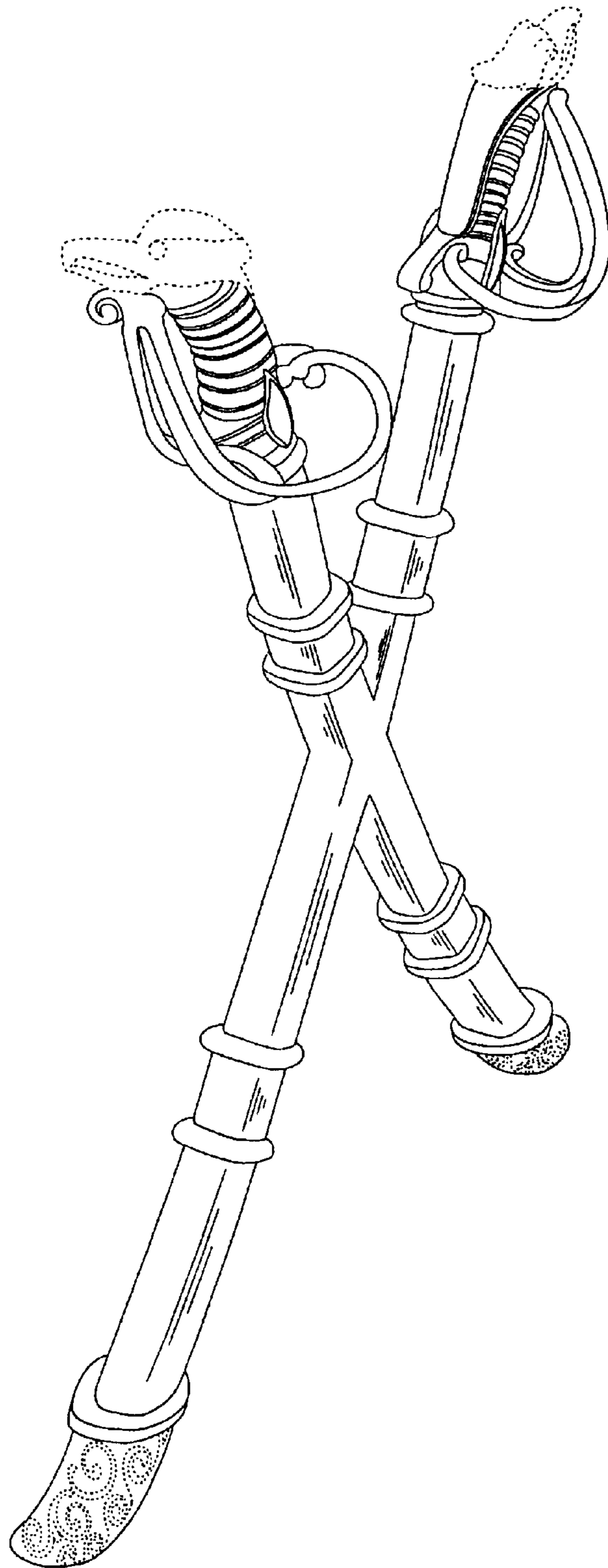


FIG. 1

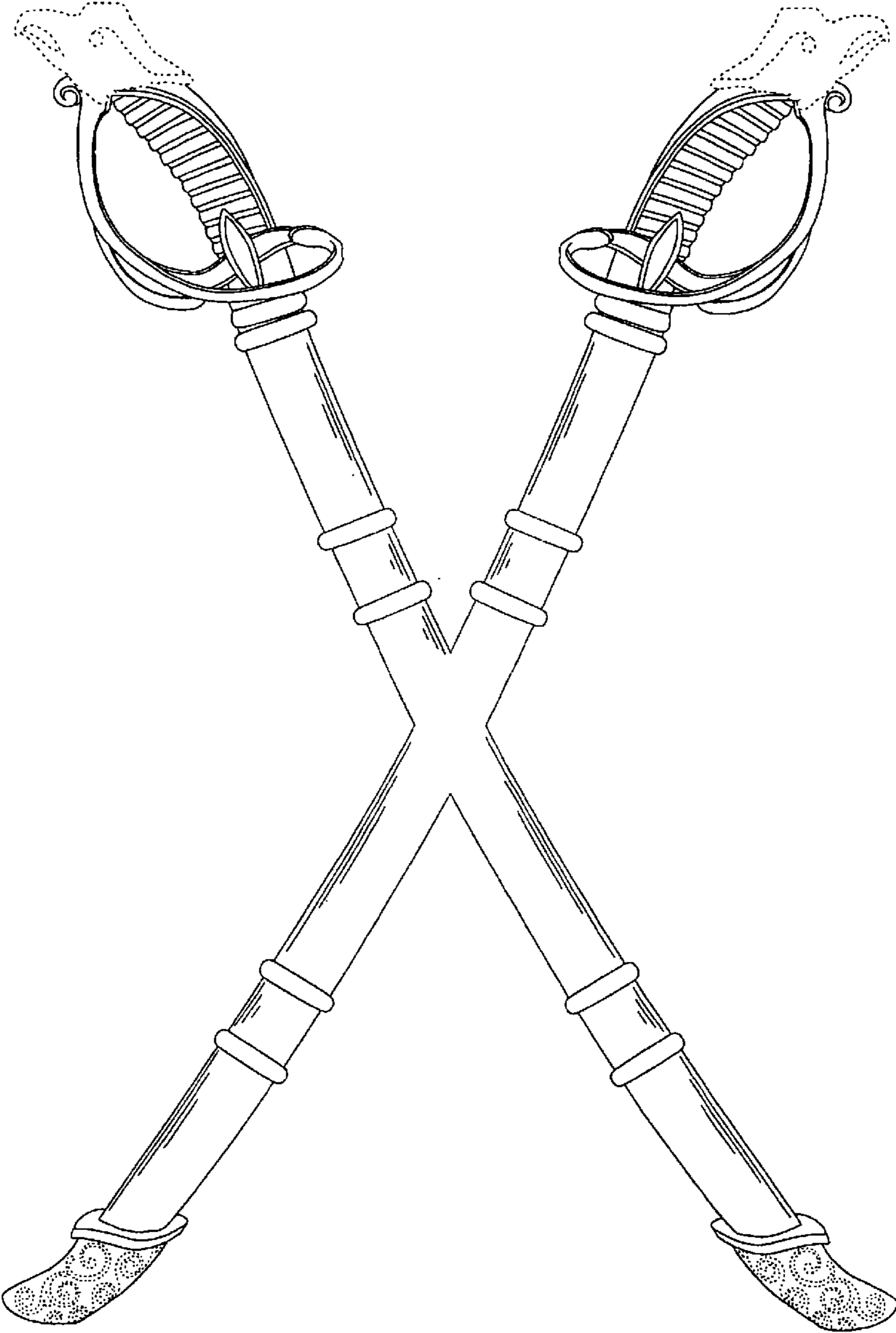


FIG. 2

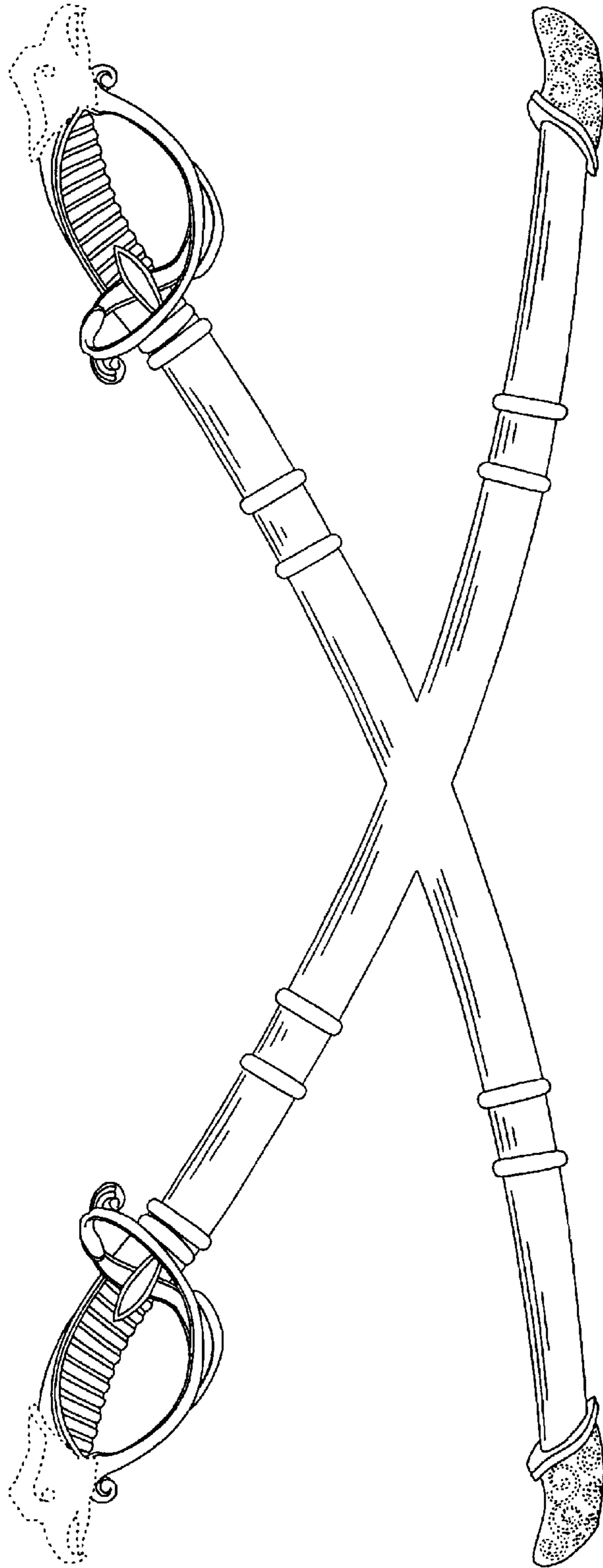


FIG. 3

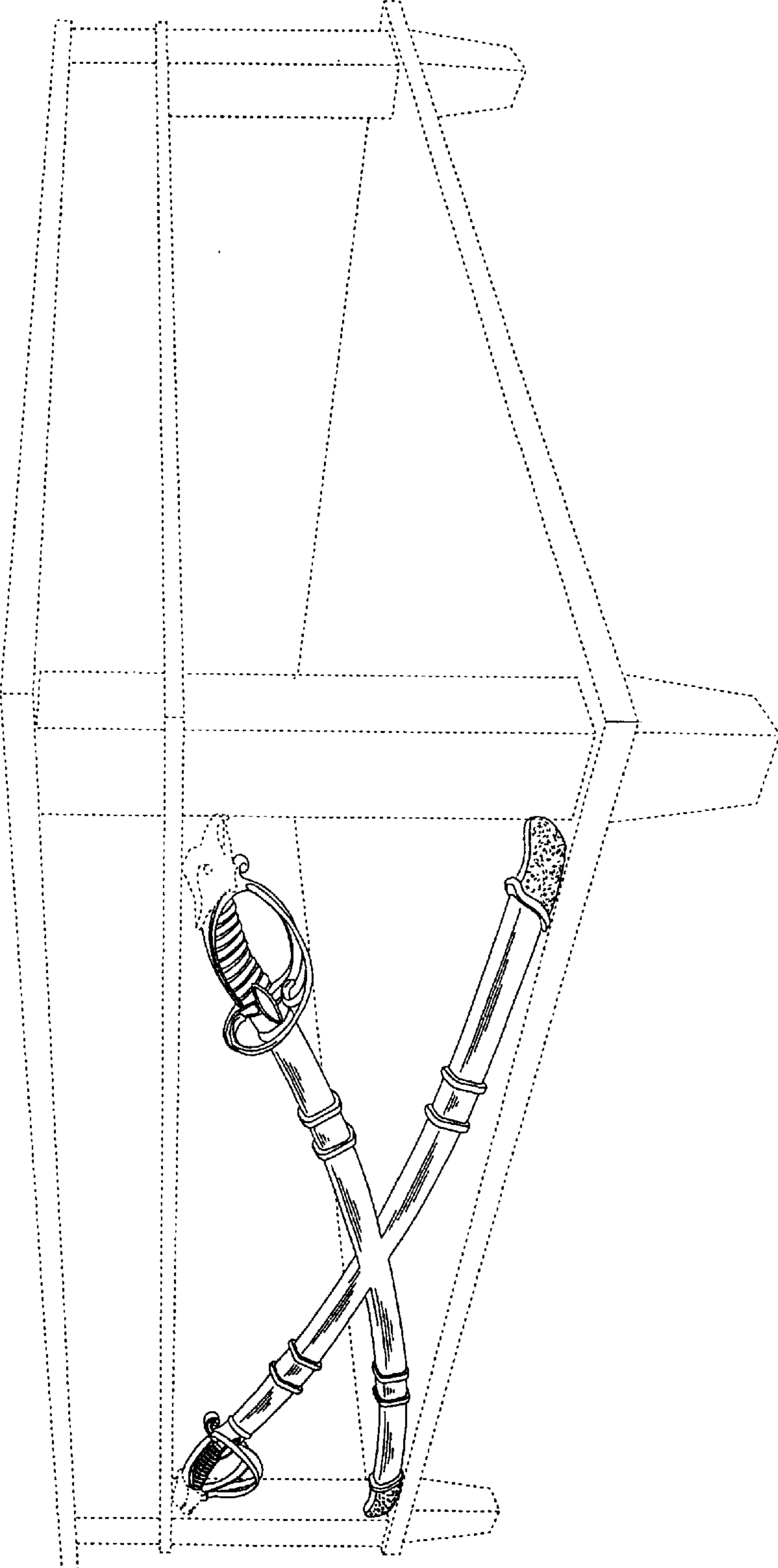


FIG. 4