



US00D539568S

(12) **United States Design Patent**
Vander Park

(10) **Patent No.:** **US D539,568 S**

(45) **Date of Patent:** **** Apr. 3, 2007**

(54) **DESK**

(75) Inventor: **Antonius Adrian Vander Park**,
Caledon (CA)

(73) Assignee: **Nova-Link Limited**, Ontario (CA)

(**) Term: **14 Years**

(21) Appl. No.: **29/219,591**

(22) Filed: **Dec. 17, 2004**

(51) **LOC (8) Cl.** **06-03**

(52) **U.S. Cl.** **D6/484**

(58) **Field of Classification Search** D6/480-489,
D6/495-499, 422-426, 451, 429, 430, 427,
D6/428; 108/150, 153.1, 155, 156, 157.1,
108/161, 157.18, 11, 62, 34, 50.01, 50.02;
248/188, 188.1

See application file for complete search history.

(56) **References Cited**

U.S. PATENT DOCUMENTS

D225,046 S * 11/1972 Nance D6/423
D272,102 S * 1/1984 Olivan D34/32

D278,770 S * 5/1985 Koguma D6/423
D291,853 S * 9/1987 Worrell et al. D6/511
6,024,024 A * 2/2000 Favaretto 108/64

* cited by examiner

Primary Examiner—Janice Seeger

(74) *Attorney, Agent, or Firm*—Gifford, Krass, Groh,
Sprinkle, Anderson & Citkowski, P.C.

(57) **CLAIM**

The ornamental design for a desk, as shown and described.

DESCRIPTION

FIG. 1 is a perspective view of a second embodiment of the present invention, this view being taken from above and from the rear side of the desk;

FIG. 2 is a top plan view of the desk of FIG. 1;

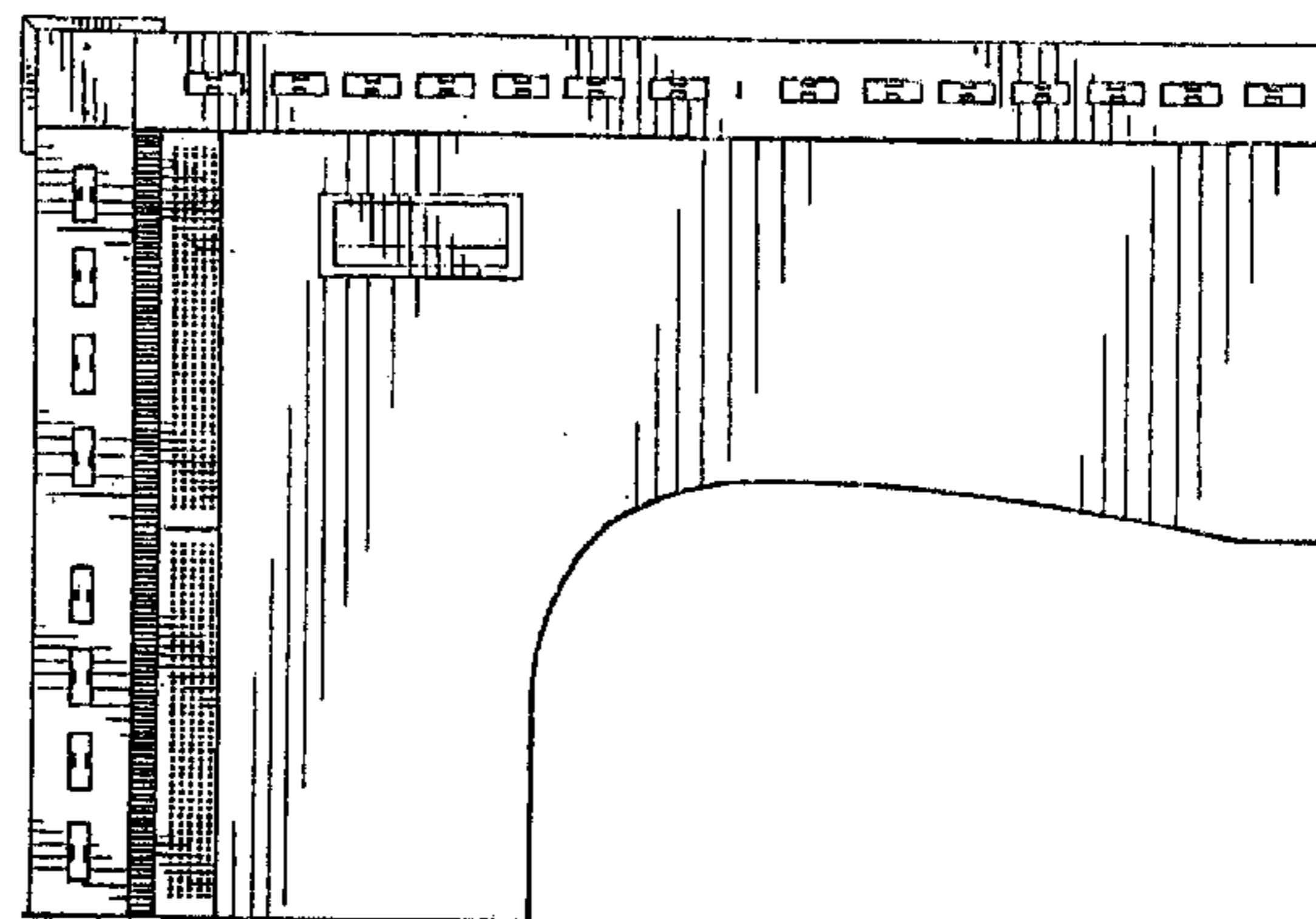
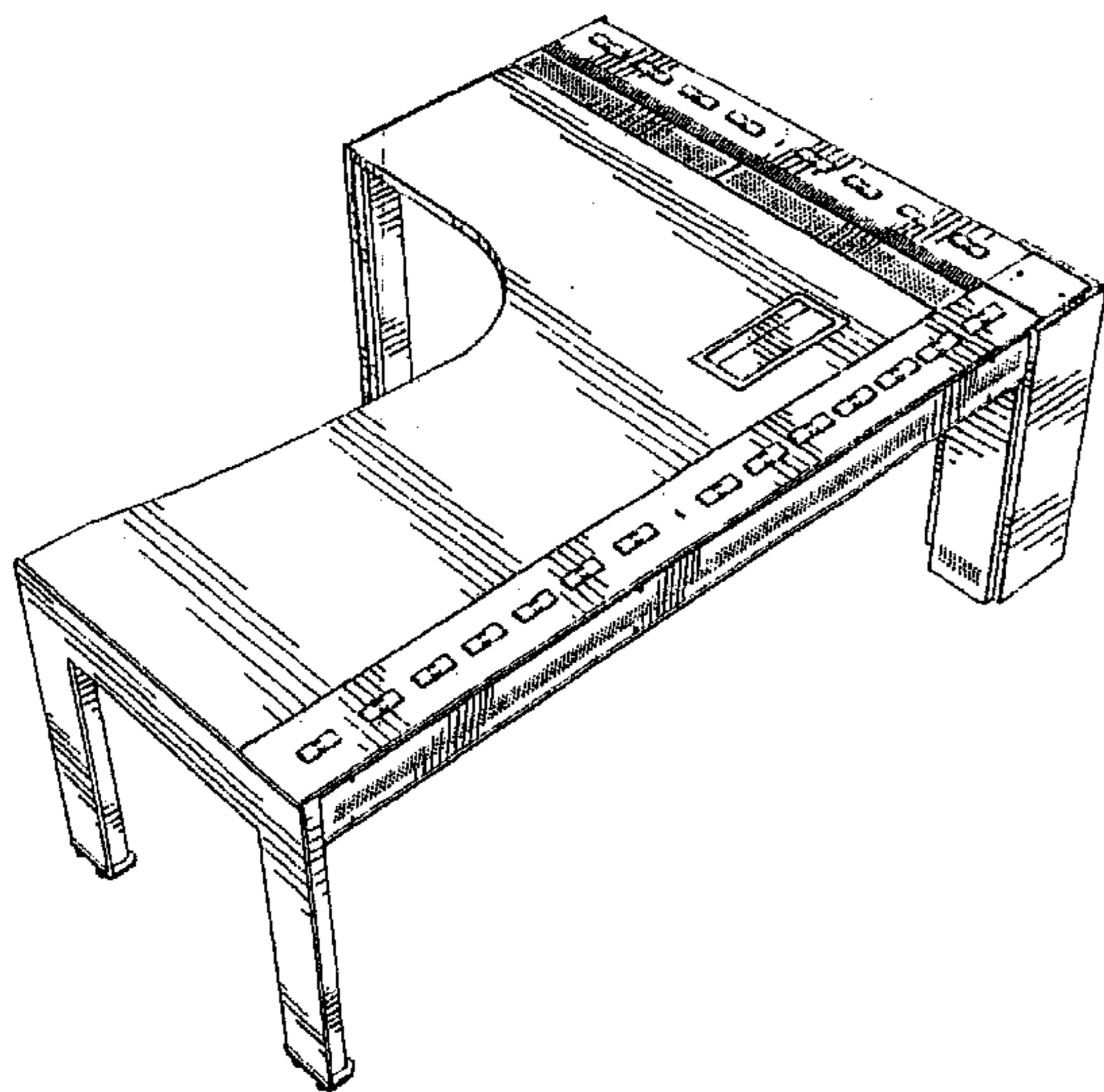
FIG. 3 is a front view of the desk of FIG. 1;

FIG. 4 is a rear view of the desk of FIG. 1;

FIG. 5 is an end view of the desk of FIG. 1, this view showing the end visible in FIG. 1; and,

FIG. 6 is an end view showing the end opposite that shown in FIG. 5.

1 Claim, 5 Drawing Sheets



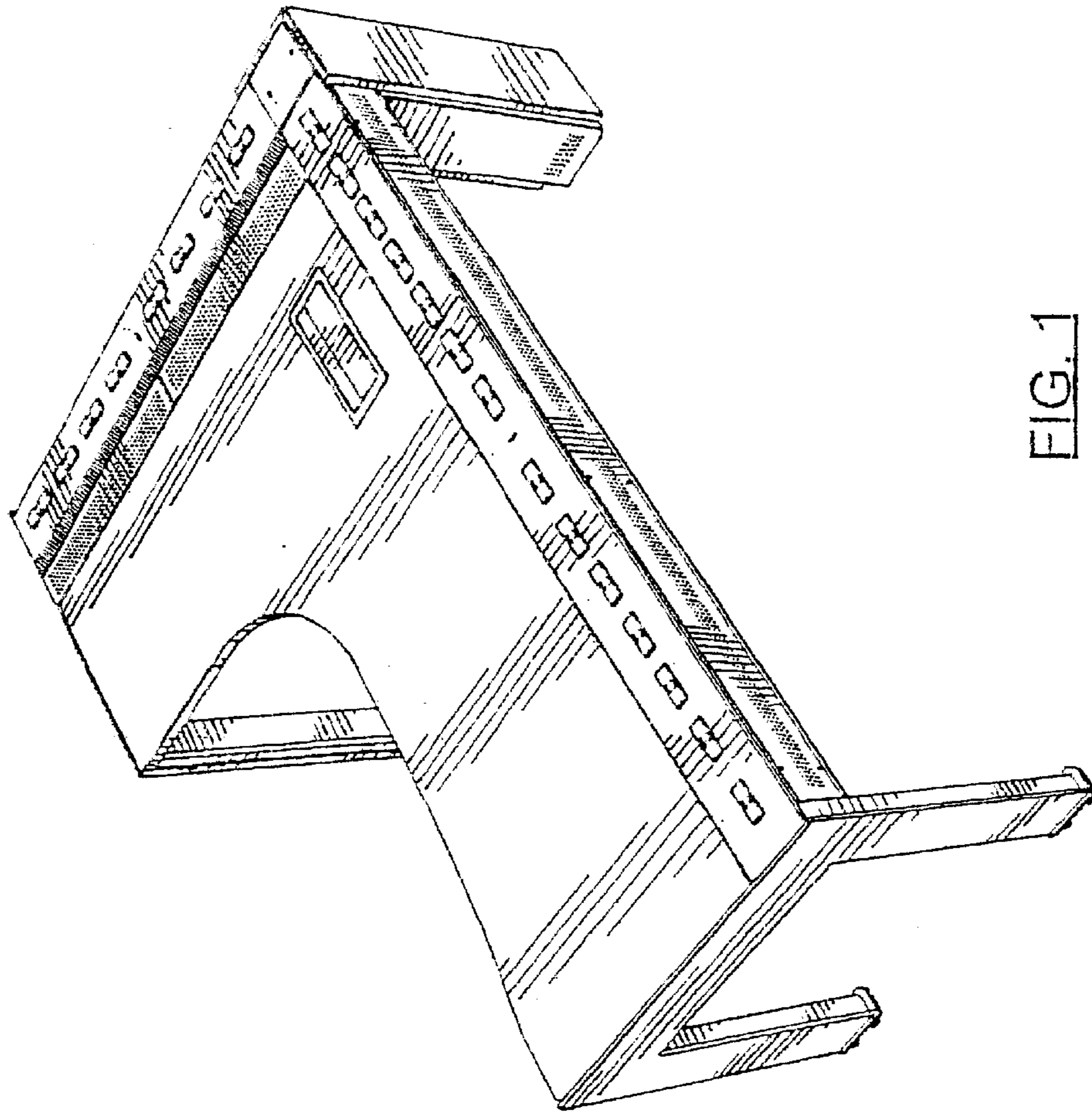


FIG. 1

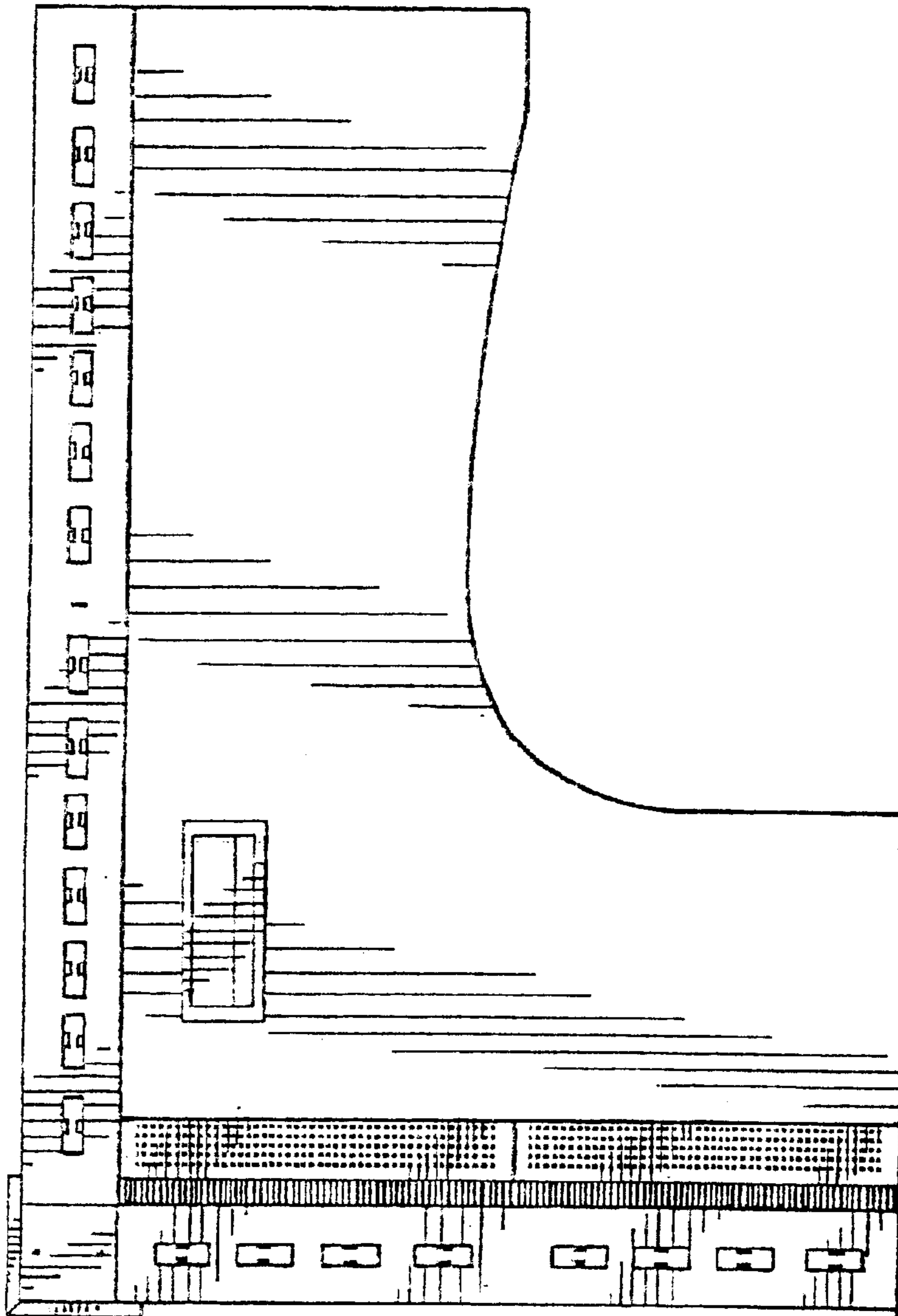


FIG. 2

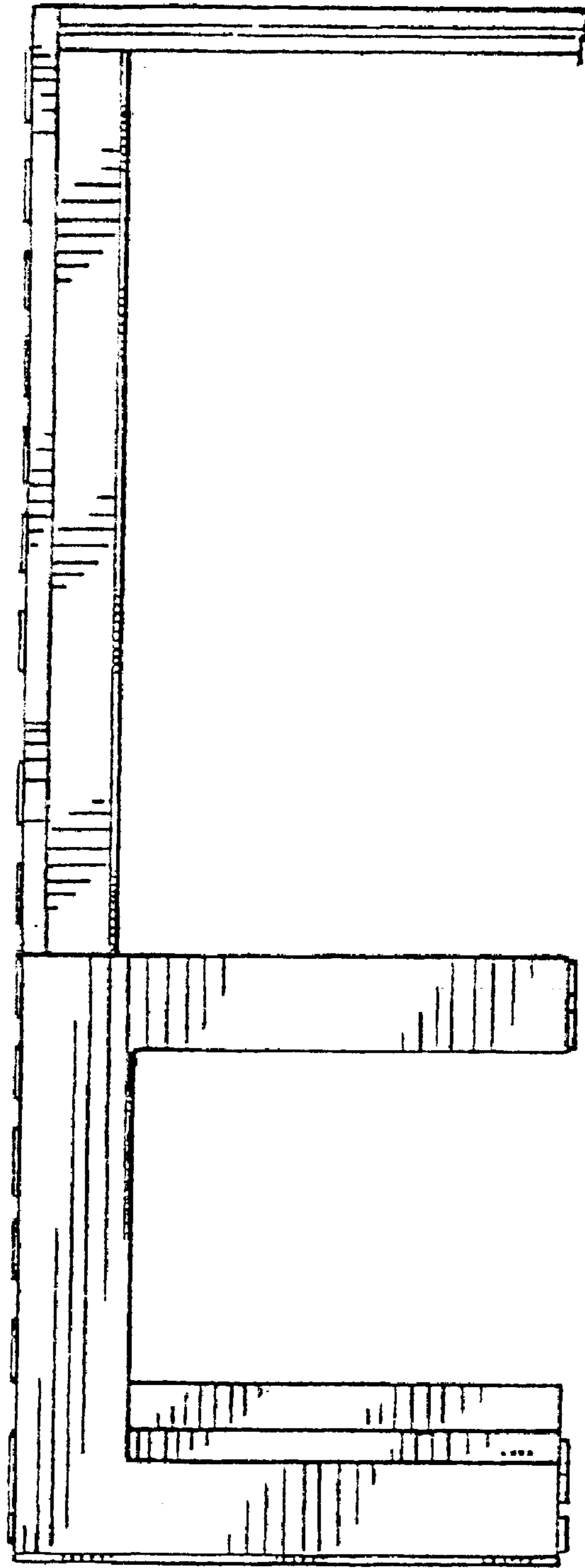


FIG. 3

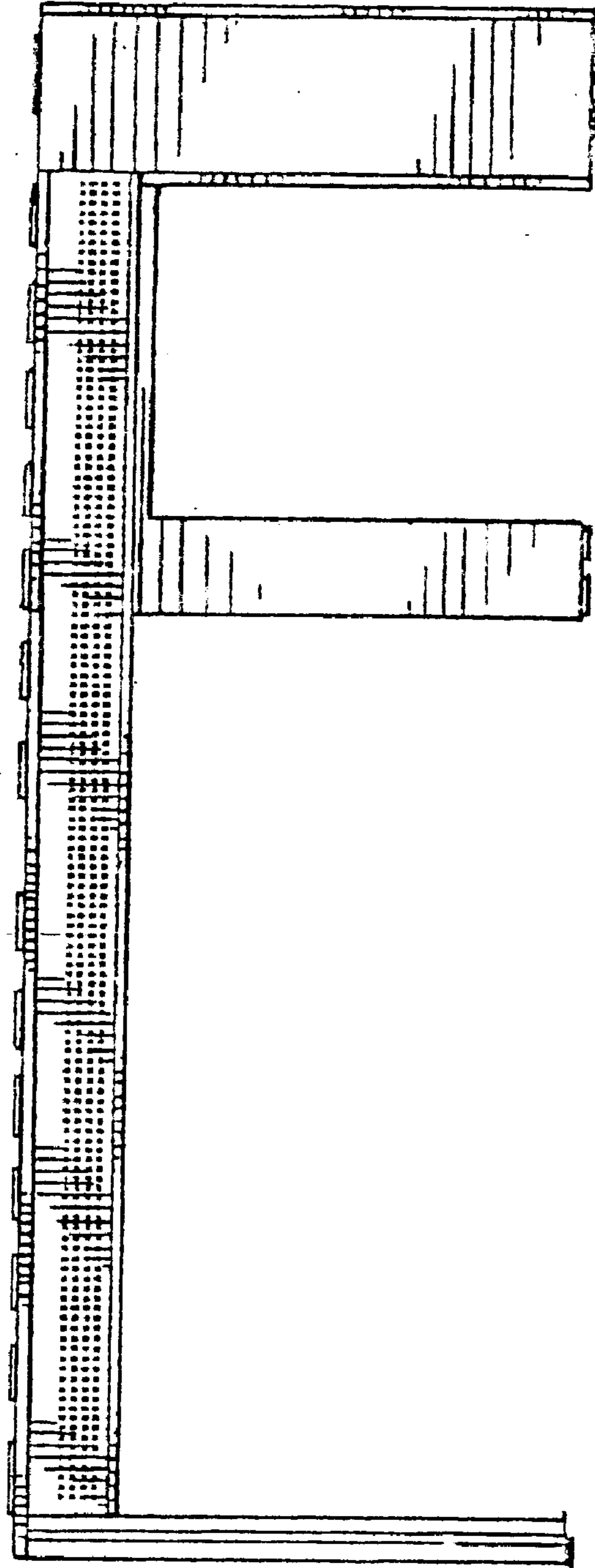


FIG. 4

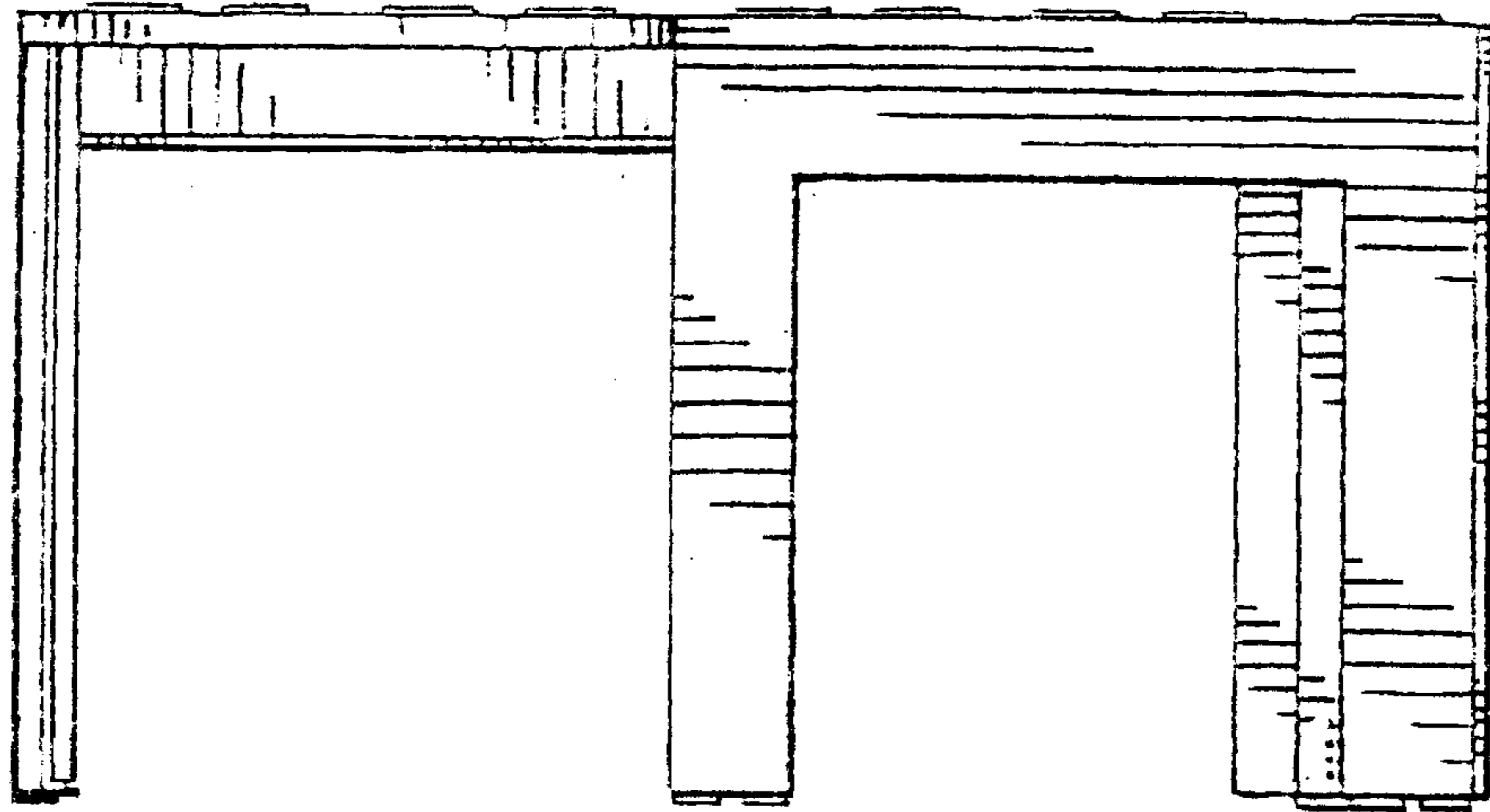


FIG. 5

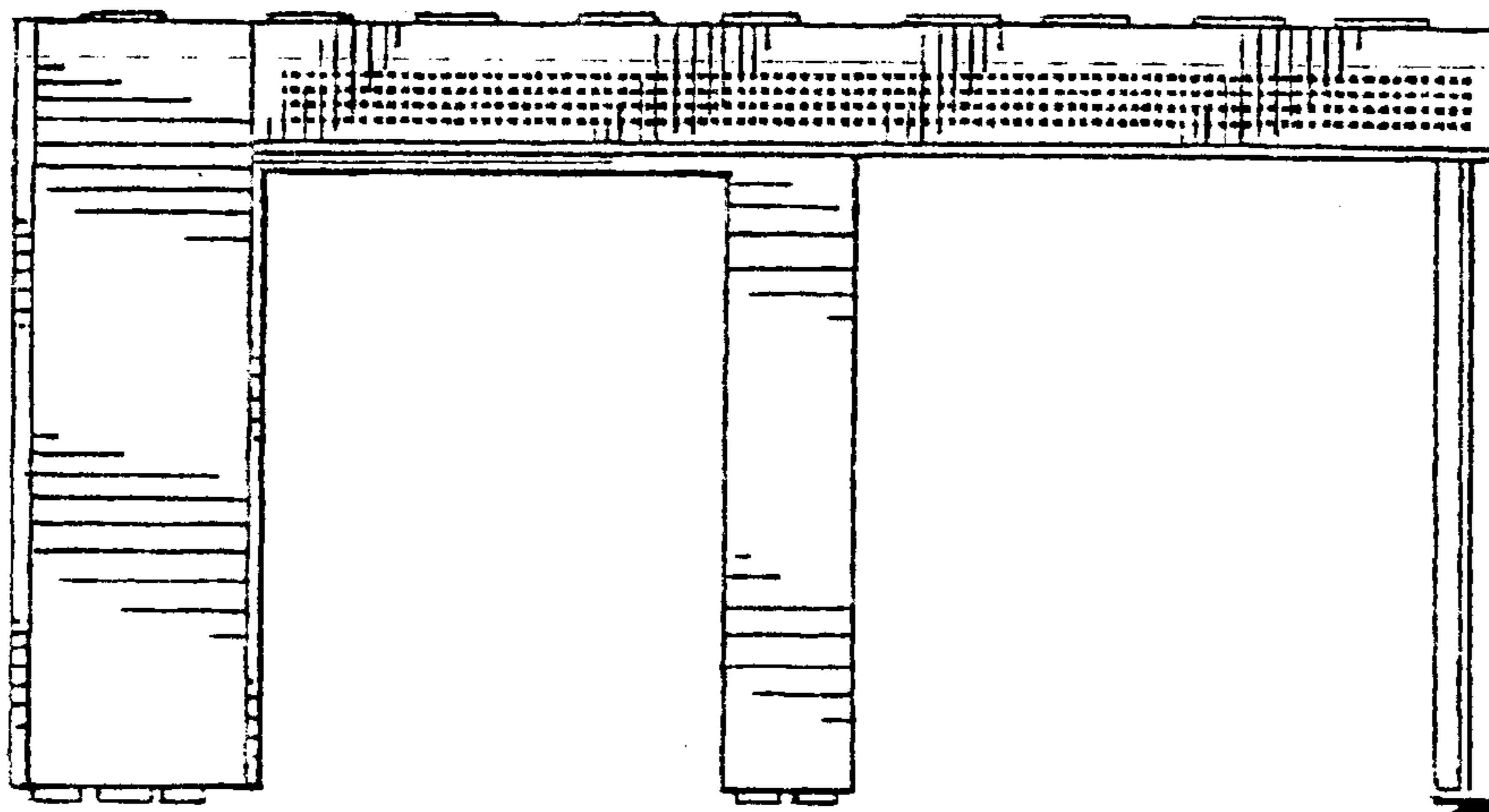


FIG. 6