



US00D539564S

(12) **United States Design Patent**
Edison et al.

(10) **Patent No.:** **US D539,564 S**

(45) **Date of Patent:** **** Apr. 3, 2007**

(54) **DISPLAY TABLE**

(75) Inventors: **Peter A. Edison**, St. Louis, MO (US);
Joseph R. Vander Pluym, St. Louis,
MO (US); **Kiku Obata**, St. Louis, MO
(US); **Russell Buchanan, Jr.**, St. Louis,
MO (US)

(73) Assignee: **Bakers Footwear Group, Inc.**, St.
Louis, MO (US)

(**) Term: **14 Years**

(21) Appl. No.: **29/253,941**

(22) Filed: **Feb. 15, 2006**

(51) **LOC (8) Cl.** **06-04**

(52) **U.S. Cl.** **D6/474**

(58) **Field of Classification Search** D6/436,
D6/468, 473, 474, 477-479, 483; 108/11,
108/65, 137, 64-66, 96; 211/85.2

See application file for complete search history.

(56) **References Cited**

U.S. PATENT DOCUMENTS

2,492,139	A	*	12/1949	Eliason	108/66
4,242,971	A		1/1981	Kleinman		
4,390,099	A		6/1983	Trautlein et al.		
D297,191	S		8/1988	Frieden, Jr.		
5,363,772	A	*	11/1994	Adamidis	108/66

5,535,895	A		7/1996	Valiulis		
5,848,710	A		12/1998	Pomper		
D405,988	S	*	2/1999	Wohlford	D6/474
D407,244	S	*	3/1999	Wohlford	D6/474
D419,334	S		1/2000	Talbot et al.		
D429,581	S	*	8/2000	Wohlford	D6/474
6,182,841	B1		2/2001	Klein		
6,241,105	B1		6/2001	Pomper		
7,001,050	B2		2/2006	Beasley, Jr. et al.		
D520,267	S	*	5/2006	Berger et al.	D6/474

* cited by examiner

Primary Examiner—Cathron C. Brooks

(74) *Attorney, Agent, or Firm*—Blackwell Sanders Peper
Martin LLP; Samuel Digirolamo, Esq.

(57) **CLAIM**

The ornamental design for a display table, as shown and
described.

DESCRIPTION

FIG. 1 is a front elevational view of a display table showing
our new design.

FIG. 2 is a rear elevational view thereof.

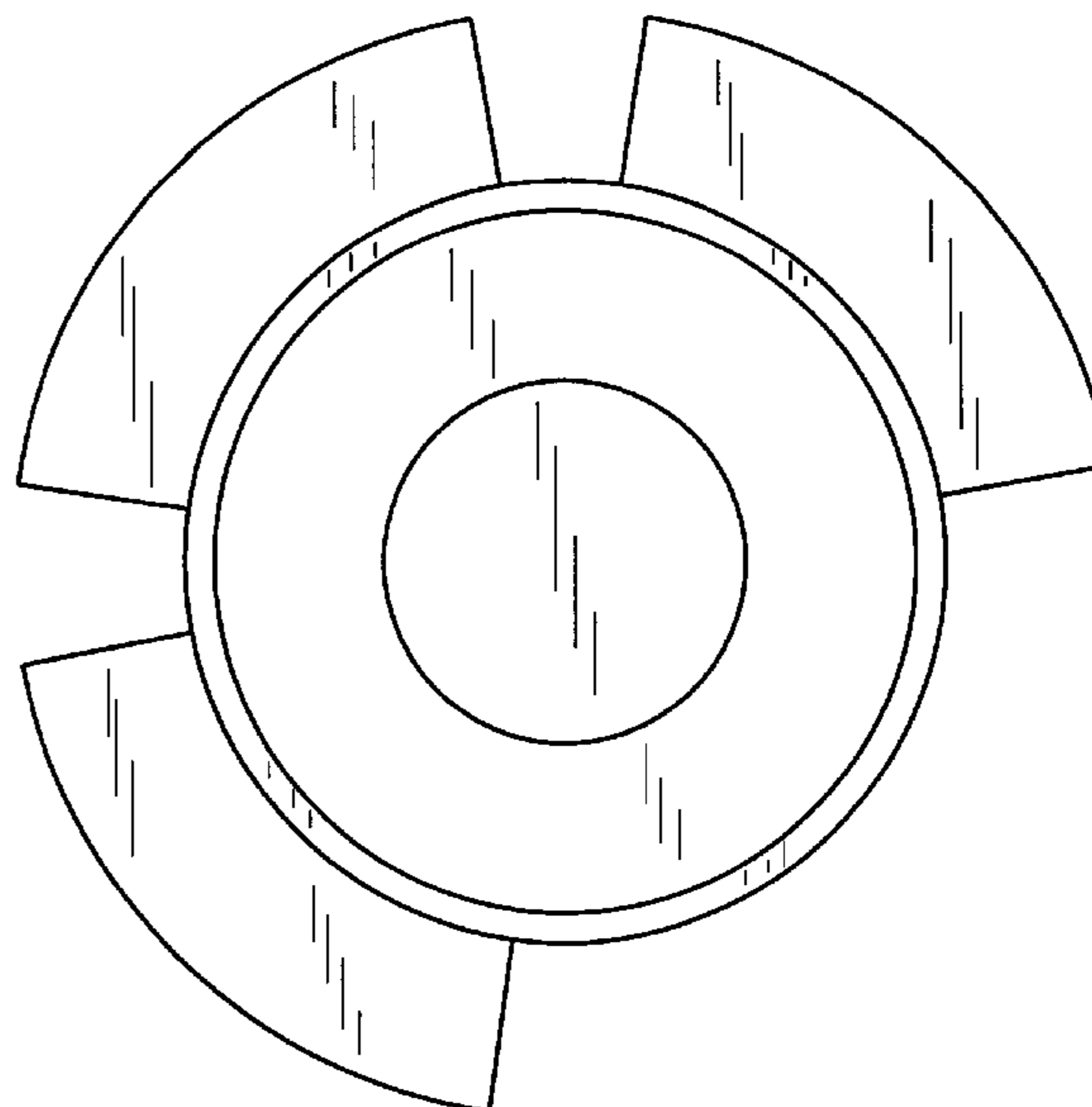
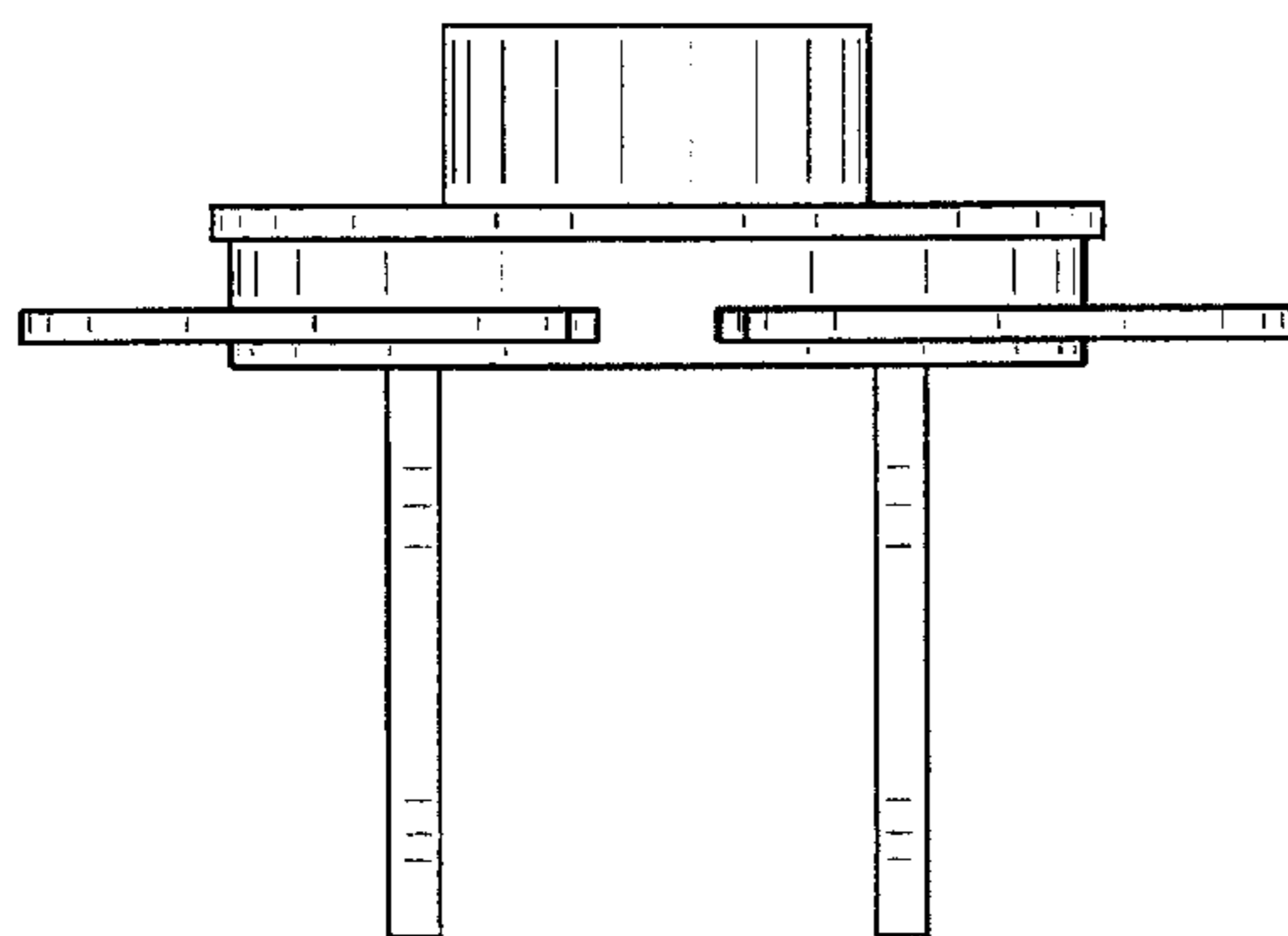
FIG. 3 is a left side elevational view thereof.

FIG. 4 is a right side elevational view thereof.

FIG. 5 is a top plan view thereof; and,

FIG. 6 is a bottom plan view thereof.

1 Claim, 2 Drawing Sheets



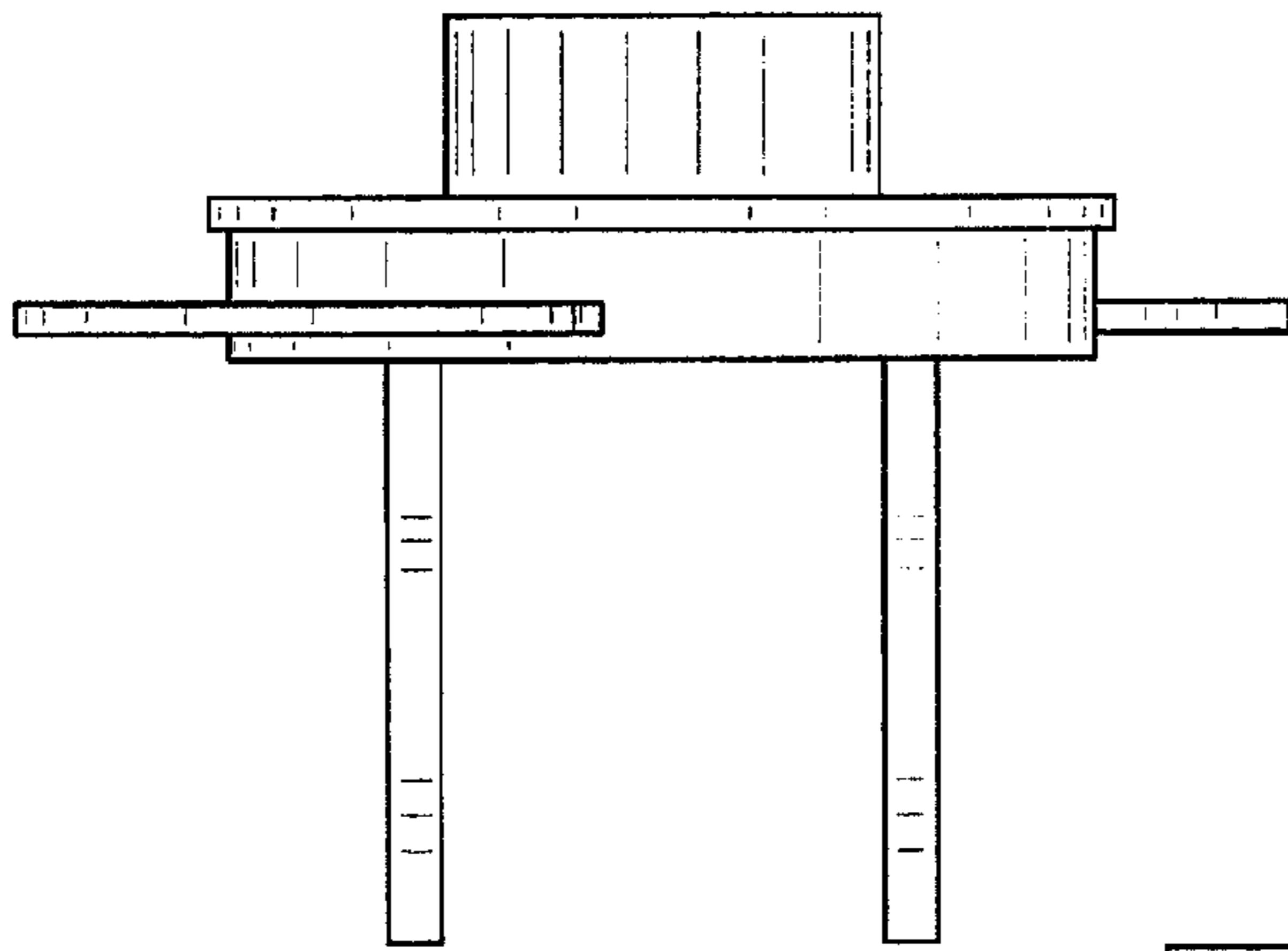


FIG. 1

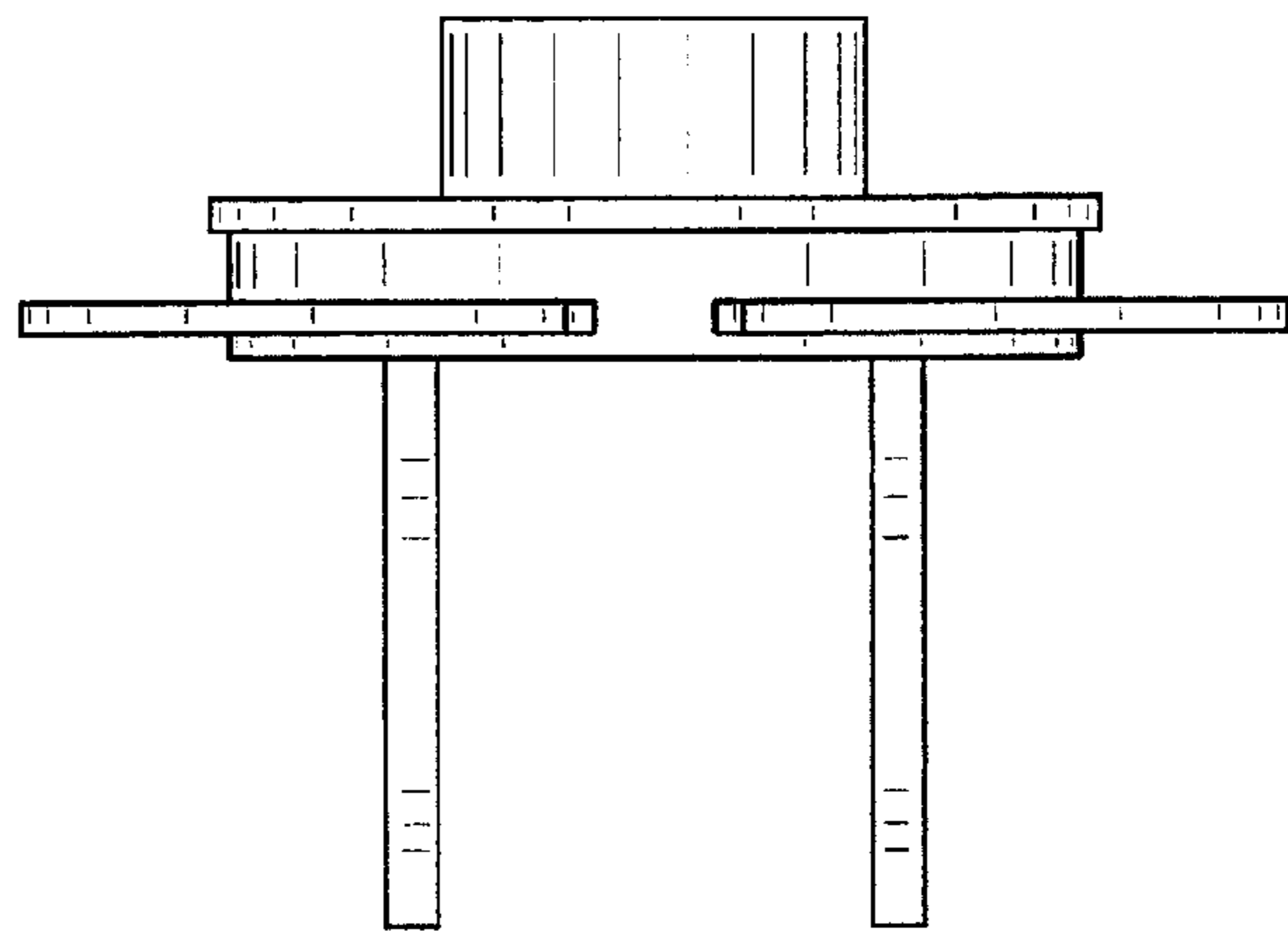


FIG. 2

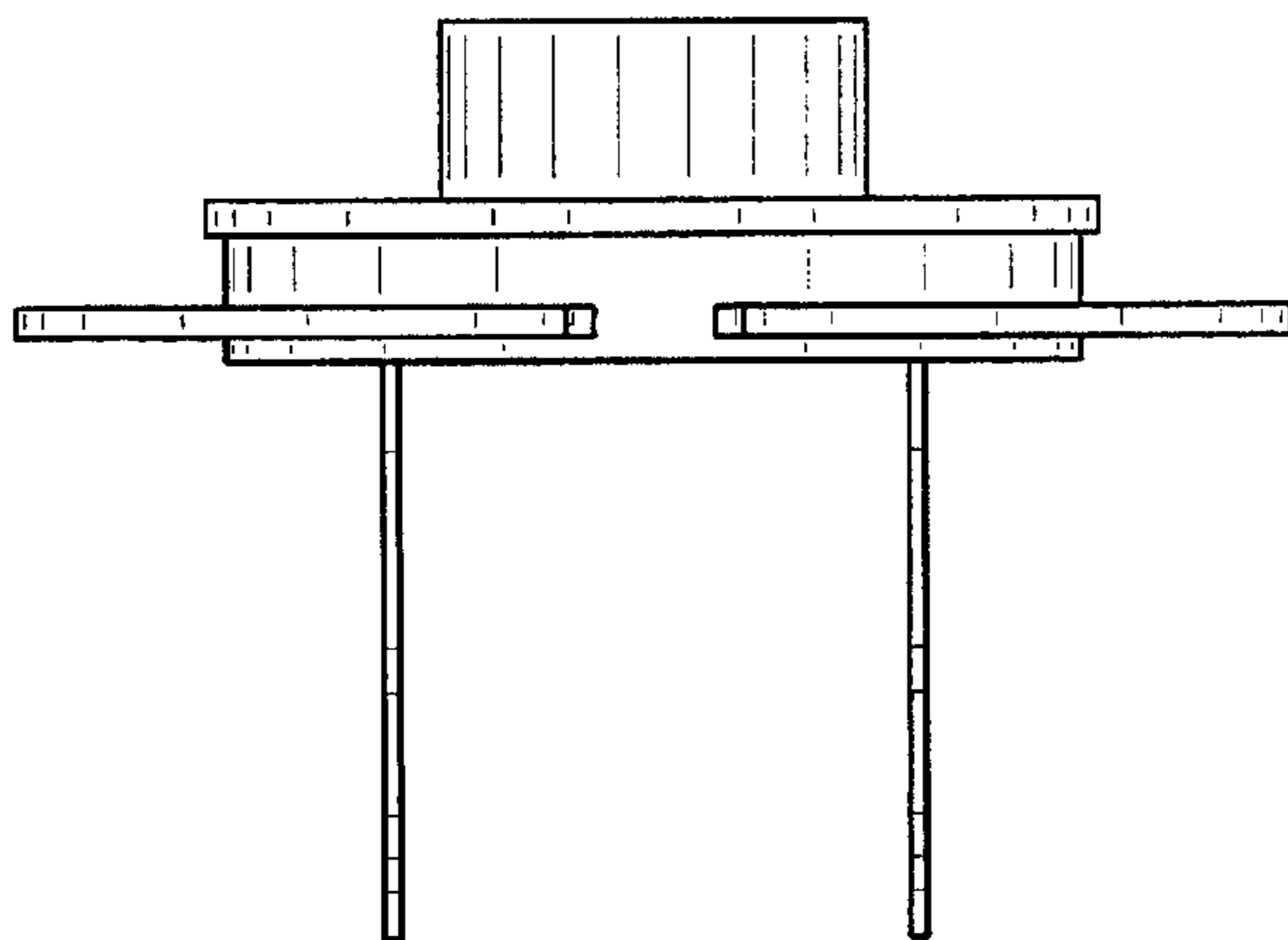


FIG. 3

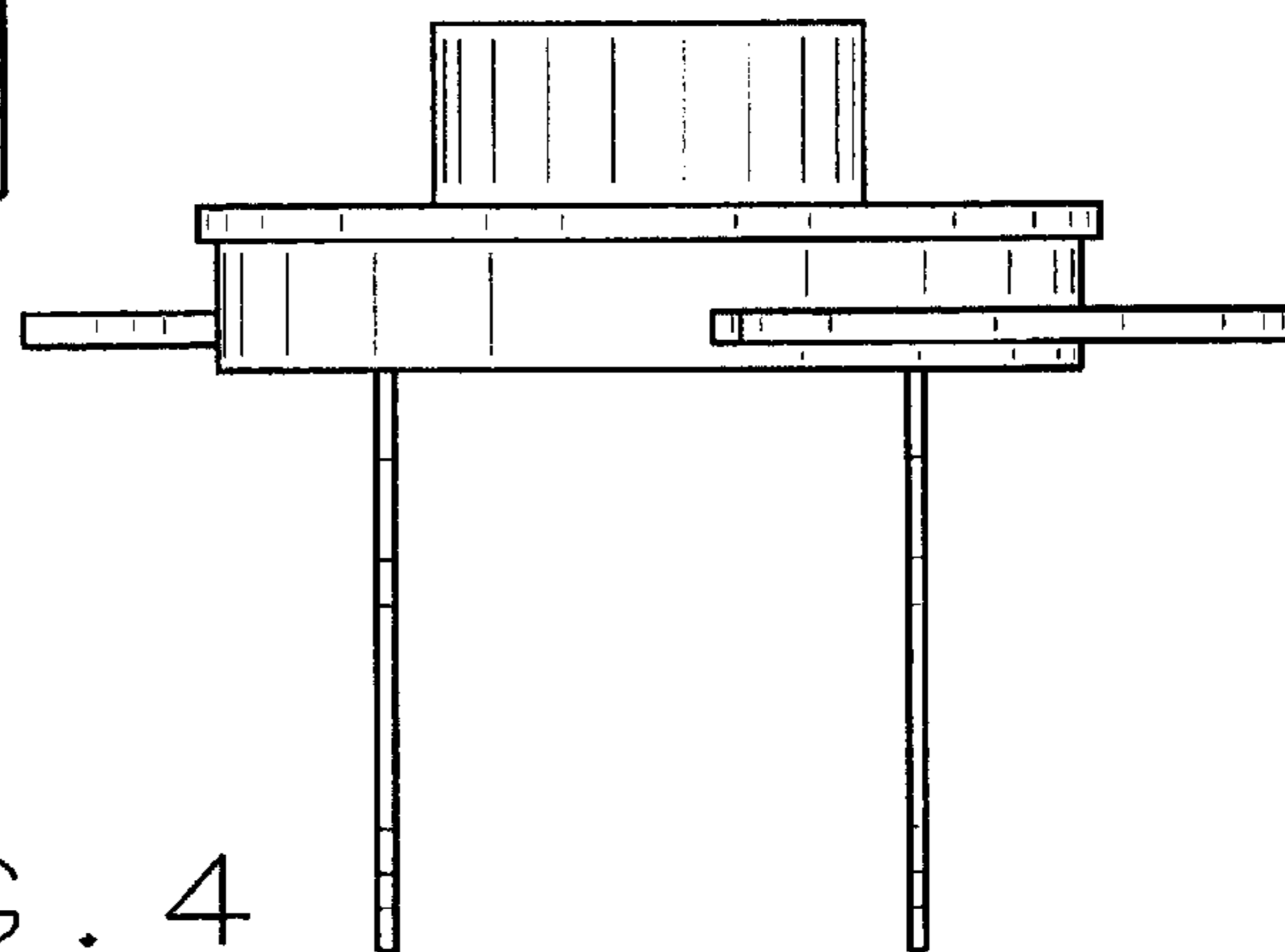


FIG. 4

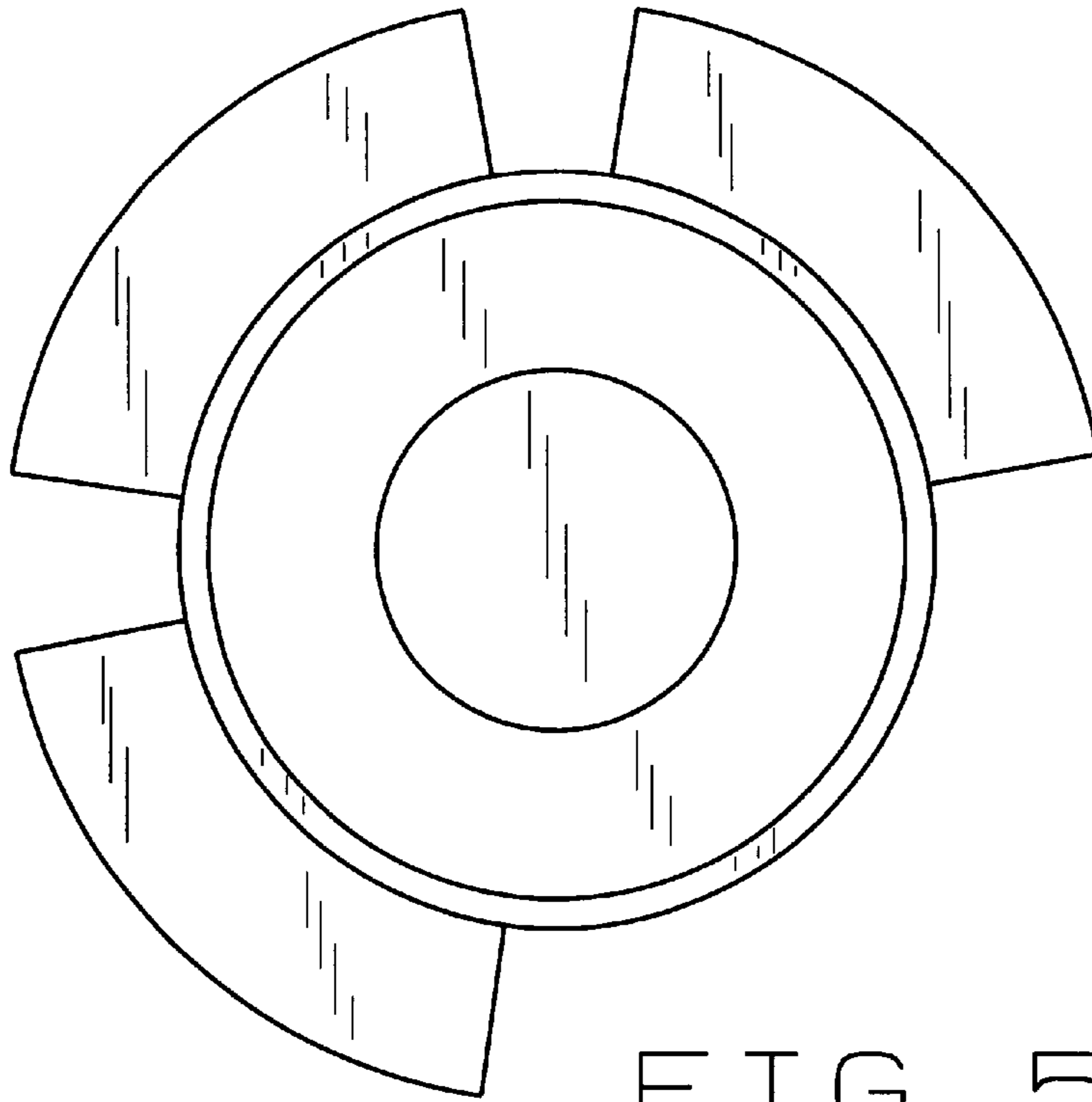


FIG. 5

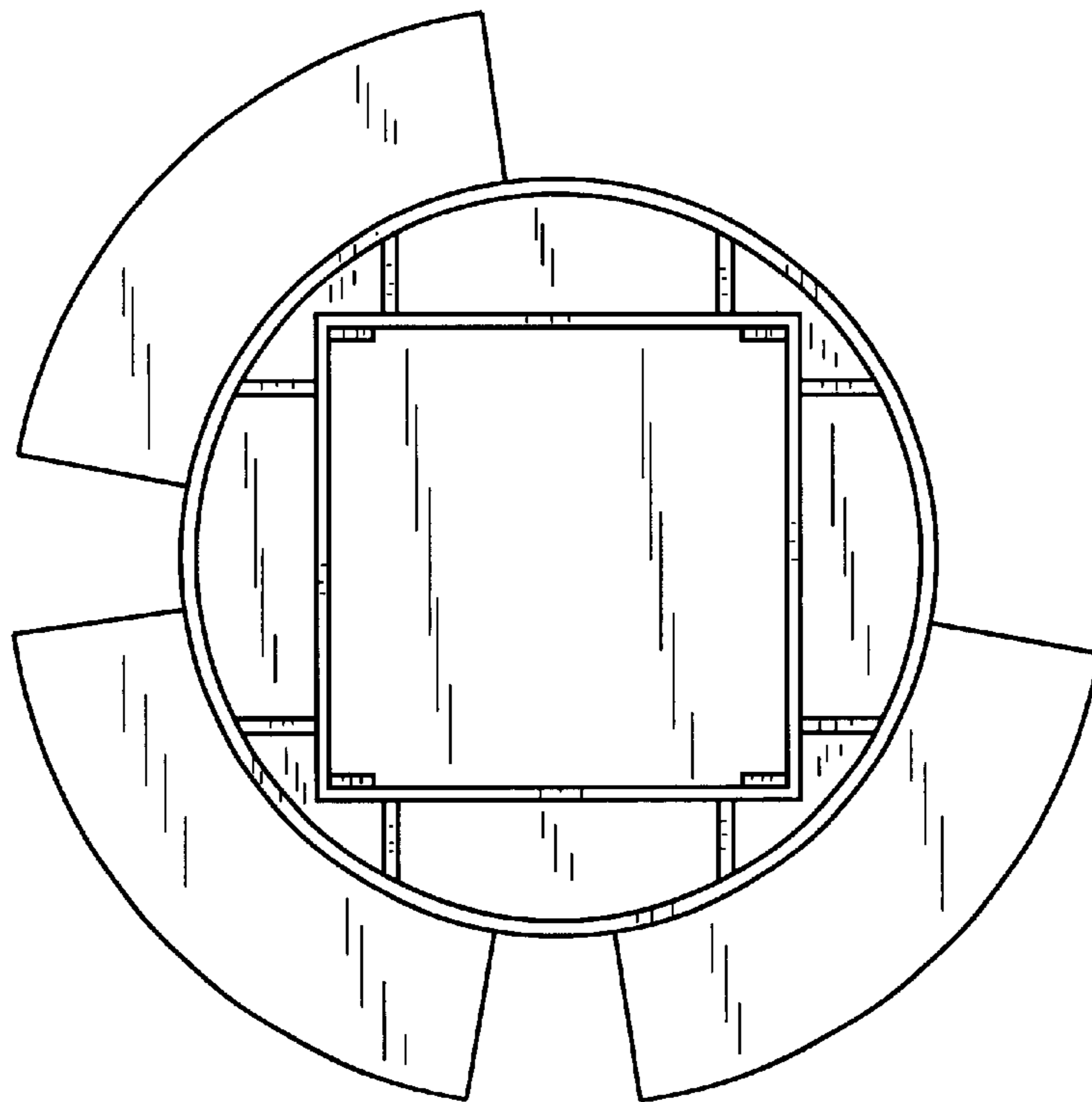


FIG. 6