



US00D539561S

(12) **United States Design Patent**  
**Martin**

(10) **Patent No.:** **US D539,561 S**  
(45) **Date of Patent:** **\*\* Apr. 3, 2007**

(54) **CHAIR**

(75) Inventor: **Michael V. Martin**, Reidsville, NC  
(US)

(73) Assignee: **Steelcase Development Corporation**,  
Grand Rapids, MI (US)

(\*\*) Term: **14 Years**

(21) Appl. No.: **29/265,435**

(22) Filed: **Aug. 31, 2006**

D466,312 S	12/2002	Hutton
D473,723 S	4/2003	Pesso
D484,327 S	12/2003	Ricci
6,769,738 B1 *	8/2004	Rivera et al. .... 297/232
D495,892 S	9/2004	Ricci
D498,064 S	11/2004	Gomez
6,824,220 B1 *	11/2004	Davison .... 297/440.14
D499,261 S	12/2004	Ricci
D499,263 S	12/2004	Ricci
D501,095 S	1/2005	Zydko Hoyas et al.
D501,330 S	2/2005	Gomez
6,874,850 B2 *	4/2005	Berkowicz .... 297/248
D505,276 S	5/2005	Cronk et al.
2004/0212228 A1	10/2004	Skelly et al.

**Related U.S. Application Data**

(62) Division of application No. 29/206,204, filed on May 27, 2004.

(51) **LOC (8) Cl.** ..... **06-01**

(52) **U.S. Cl.** ..... **D6/381**

(58) **Field of Classification Search** ..... D6/334–336,  
D6/349, 358, 353, 356, 360, 377, 364–366,  
D6/368–370, 379–381, 500–502; 297/16.1,  
297/68, 452.1, 452.2, 461, 118, 232–233;  
D11/149; 5/12.1, 653, 655.3

See application file for complete search history.

(56) **References Cited**

**U.S. PATENT DOCUMENTS**

571,000 A	11/1896	Jackson	
1,657,285 A *	1/1928	Siskin	297/232
1,842,054 A *	1/1932	Sobel	297/232
2,905,230 A *	9/1959	Gabriel	297/410
3,464,753 A *	9/1969	Ryn	297/232
D244,974 S	7/1977	Hummitzsch	D6/373
D247,012 S	1/1978	Lubke	D6/373
4,114,949 A *	9/1978	Benoit	297/450.1
4,188,066 A	2/1980	Terenzoni	
4,311,337 A *	1/1982	Brunn	297/249
D277,526 S	2/1985	White	
4,848,843 A *	7/1989	Gibbs	297/440.22
5,431,479 A *	7/1995	Leib	297/232
D427,448 S	7/2000	Natuzzi et al.	
D431,117 S	9/2000	Hutton	
D458,043 S *	6/2002	Harper	D6/369

**OTHER PUBLICATIONS**

Loewenstein catalist 14, p. 11, 261 Riccardo Lounge Chair, 262 Riccardo Love Seat, 263 Riccardo Three-Seat Sofa, Jun. 1, 1985, 1 pg.

Design Within Reach catalog, p. 31,905 Sofa, 1 pg.

Cartwright catalog, p. 16, Sofa #w2301–86 and chair #w2300, 1 pg.

The Taylor Chair Company brochure, Lounge Seating, all shown on pp. 135–136, 2 pgs.

AGI Industries, Inc. brochure, chairs located in lower left corner of each page, 2 pgs.

\* cited by examiner

*Primary Examiner*—Sandra Snapp

(74) *Attorney, Agent, or Firm*—Quarles & Brady LLP

(57) **CLAIM**

The ornamental design for a chair, as shown and described.

**DESCRIPTION**

FIG. 1 is a top, front, right perspective view of a chair embodying my new design;

FIG. 2 is a front elevational view thereof;

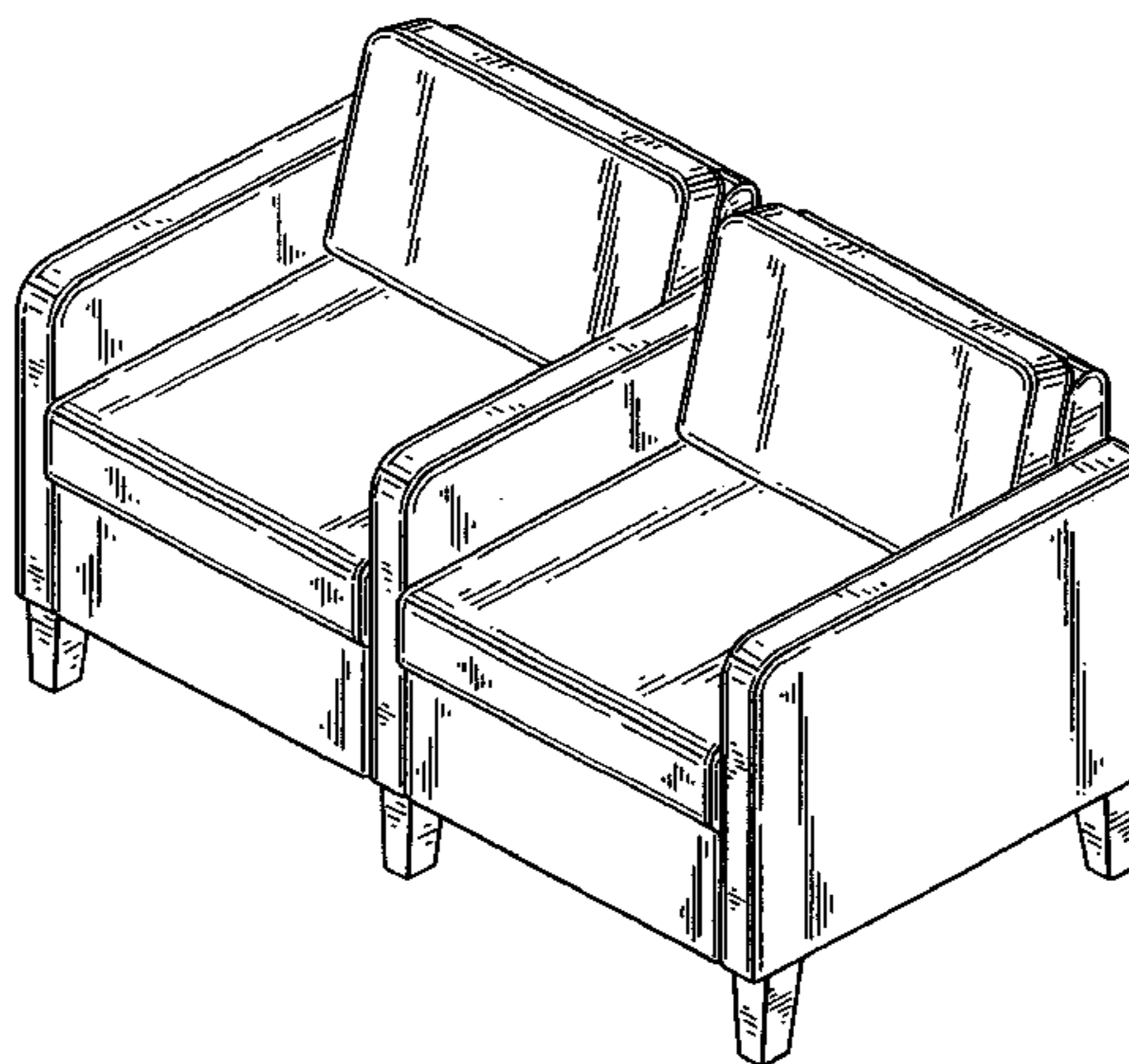
FIG. 3 is a top plan view thereof;

FIG. 4 is a rear elevational view thereof;

FIG. 5 is a bottom view thereof; and,

FIG. 6 is a right side elevational view thereof, the left side elevational view being a mirror image thereof.

**1 Claim, 3 Drawing Sheets**



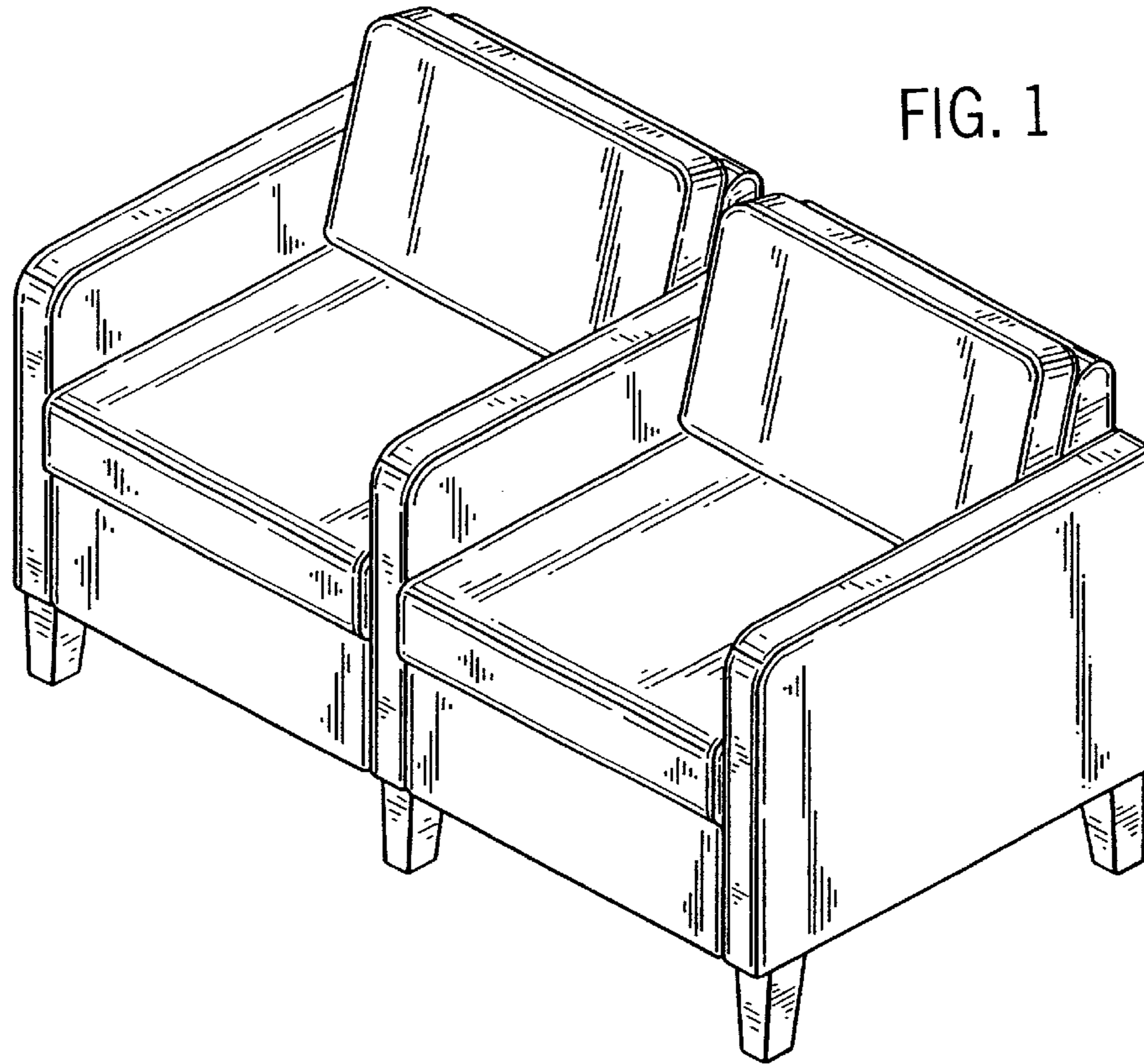


FIG. 1

FIG. 2

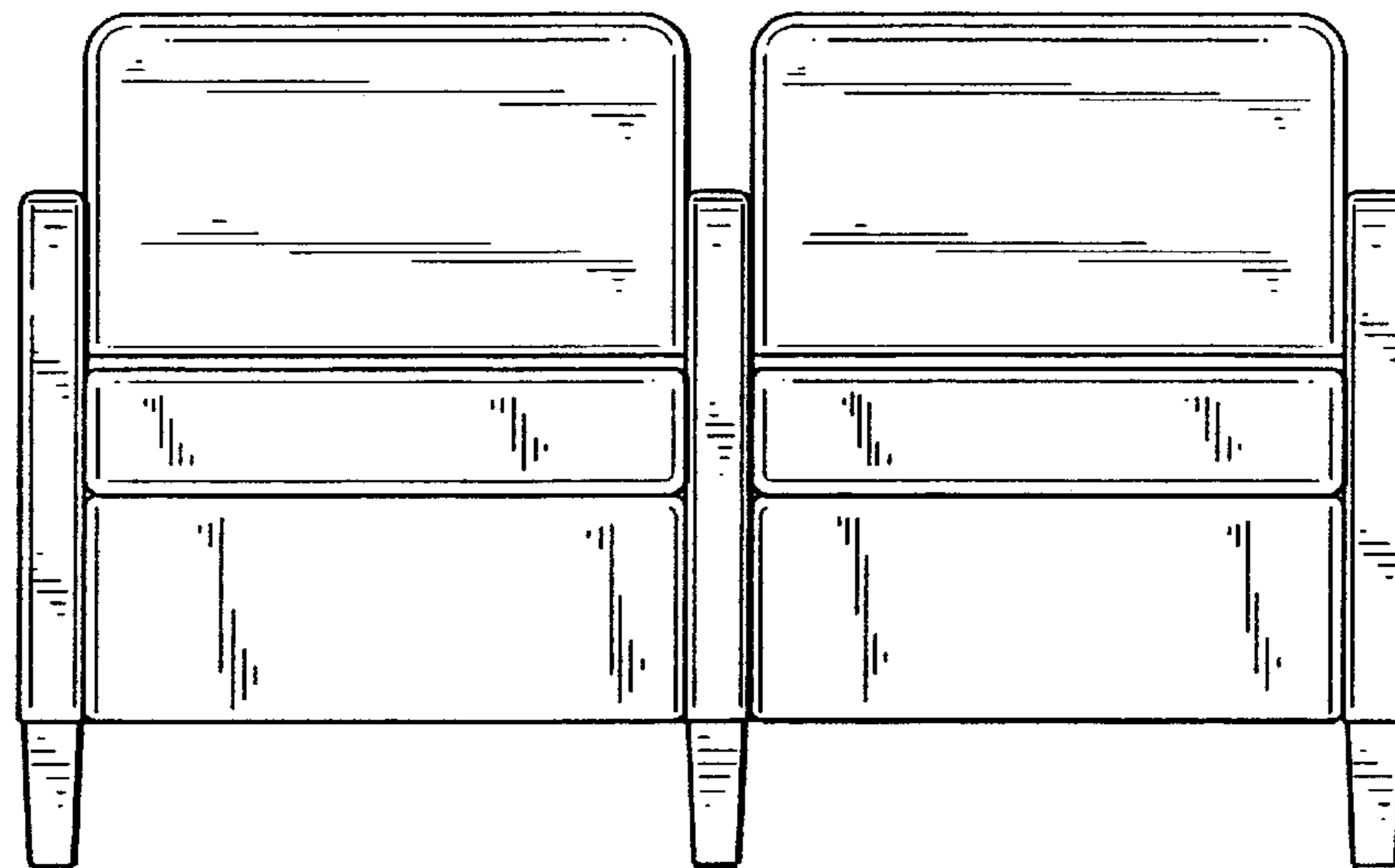


FIG. 3

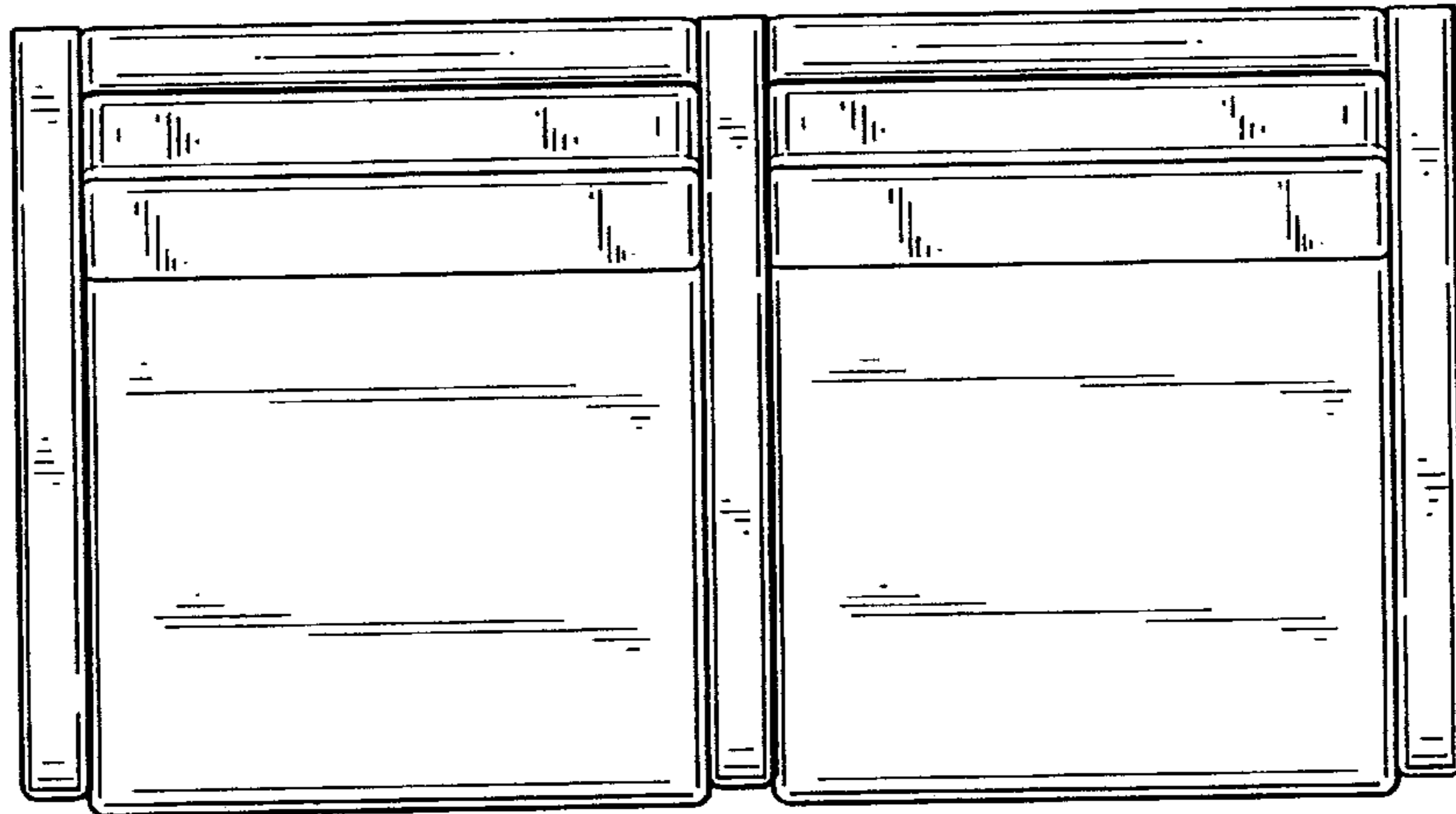


FIG. 4

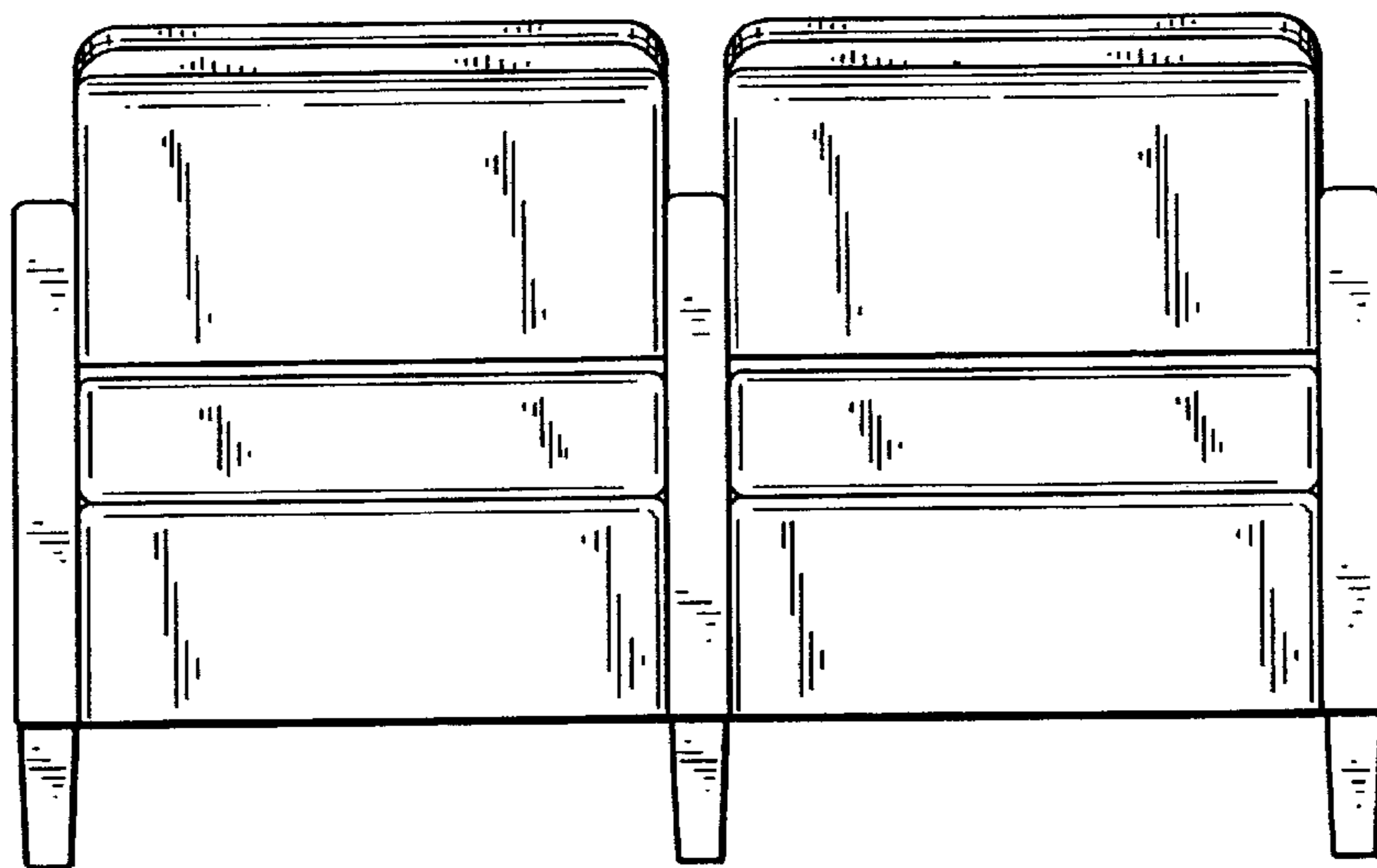


FIG. 5

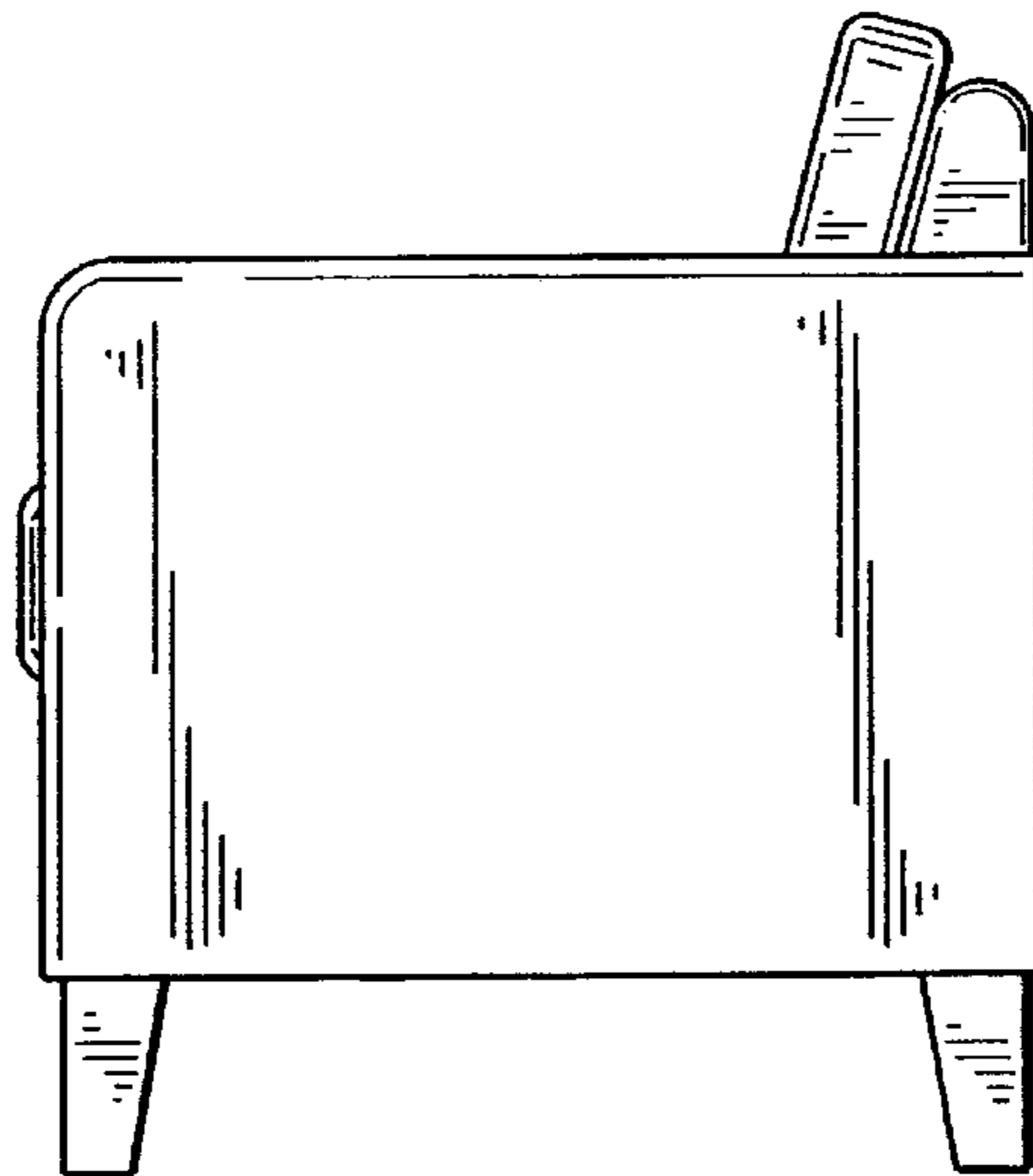
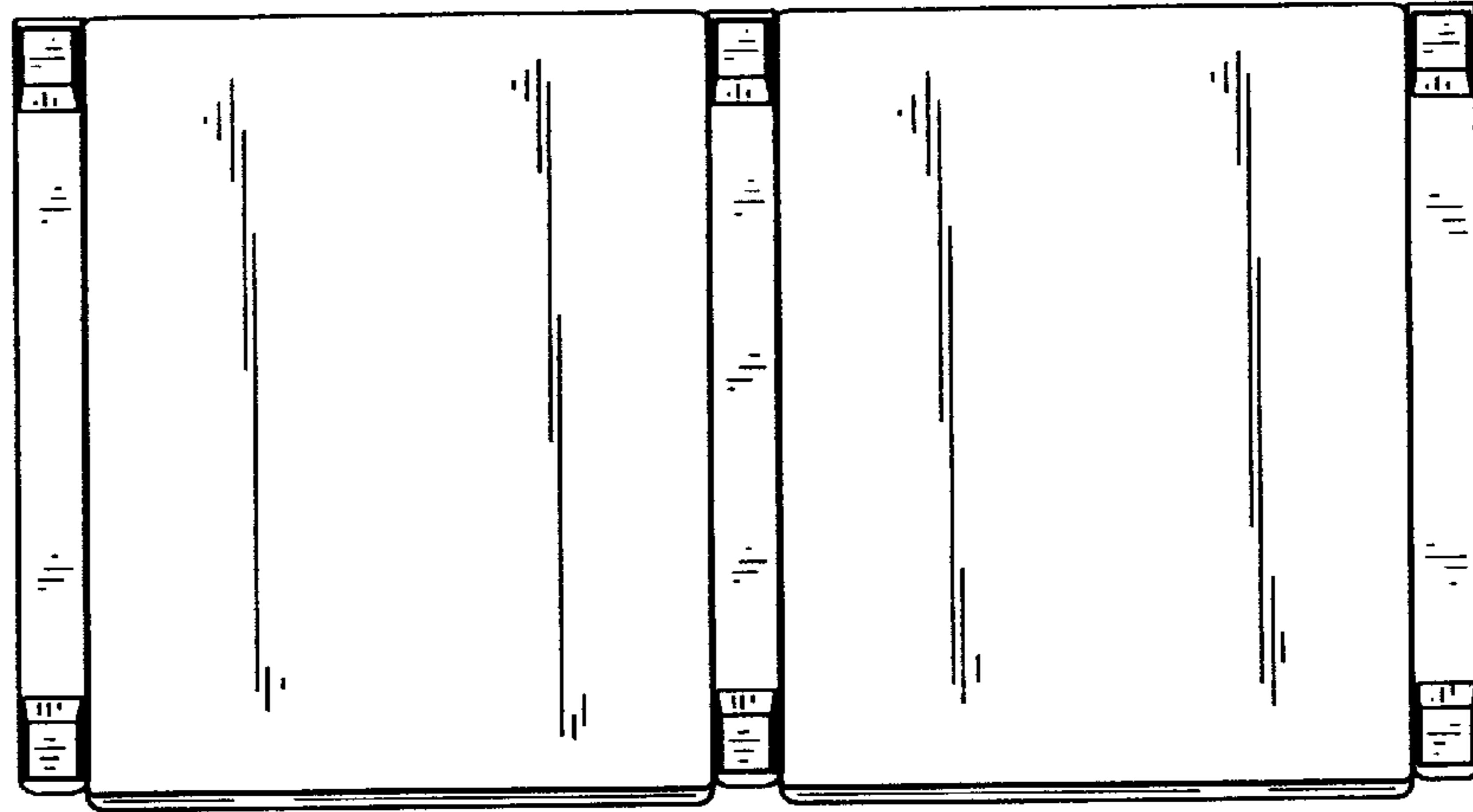


FIG. 6