



US00D539557S

(12) **United States Design Patent**
Doughty

(10) **Patent No.:** **US D539,557 S**

(45) **Date of Patent:** **** Apr. 3, 2007**

(54) **CHAIR**

(75) **Inventor:** **Frederic C. Doughty**, Ventura, CA
(US)

(73) **Assignee:** **Agio International Co., Ltd.**, East
Kowloon (HK)

(**) **Term:** **14 Years**

(21) **Appl. No.:** **29/245,873**

(22) **Filed:** **Dec. 29, 2005**

(51) **LOC (8) Cl.** **06-01**

(52) **U.S. Cl.** **D6/369; D6/374; D6/376**

(58) **Field of Classification Search** D6/334-336,
D6/369, 370, 374, 375, 376, 379, 380, 500-502;
297/411.44, 445.1, 446.1, 452.63, 452.64
See application file for complete search history.

(56) **References Cited**

U.S. PATENT DOCUMENTS

D16,924 S	*	10/1886	Graves	D6/369
D261,333 S	*	10/1981	Adkinson	D6/369
D286,828 S	*	11/1986	Arthur, Jr.	D6/376
D335,971 S	*	6/1993	Hess	D6/379
D341,266 S	*	11/1993	Caldwell	D6/379
D341,955 S	*	12/1993	Hess	D6/376
D357,136 S	*	4/1995	Hess	D6/376
D394,560 S	*	5/1998	Lowman et al.	D6/380

D401,077 S	*	11/1998	Lewis	D6/369
D416,703 S	*	11/1999	Lin	D6/376
D419,792 S	*	2/2000	Tseng	D6/376
D434,921 S	*	12/2000	Tseng	D6/376
D443,150 S	*	6/2001	Hutton	D6/369
D445,272 S	*	7/2001	Rehmert et al.	D6/376
D448,188 S	*	9/2001	Caldwell	D6/370
D452,082 S	*	12/2001	Pluer	D6/375
D486,970 S	*	2/2004	Tseng	D6/376
D489,543 S	*	5/2004	Homestead	D6/375
D497,491 S	*	10/2004	Pluer	D6/376
D525,797 S	*	8/2006	Lowsky	D6/369

* cited by examiner

Primary Examiner—Mimosa De

(74) *Attorney, Agent, or Firm*—Williams Mullen; M. Bruce
Harper

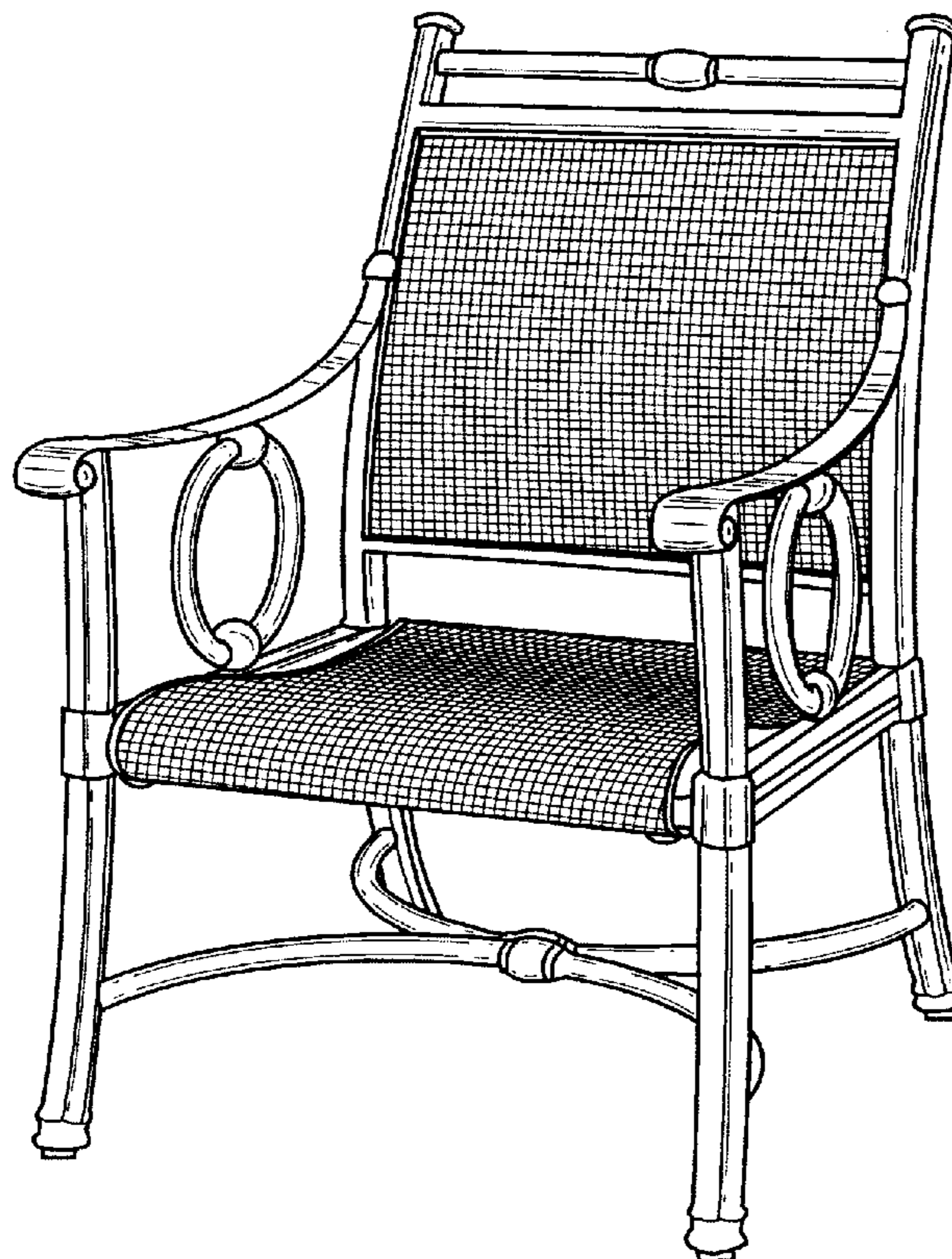
(57) **CLAIM**

The ornamental design for a chair, as shown.

DESCRIPTION

FIG. 1 is a left side and front perspective view;
FIG. 2 is a front view;
FIG. 3 is a rear view;
FIG. 4 is a right side view;
FIG. 5 is a left side view;
FIG. 6 is a top view; and,
FIG. 7 is a bottom view.

1 Claim, 4 Drawing Sheets



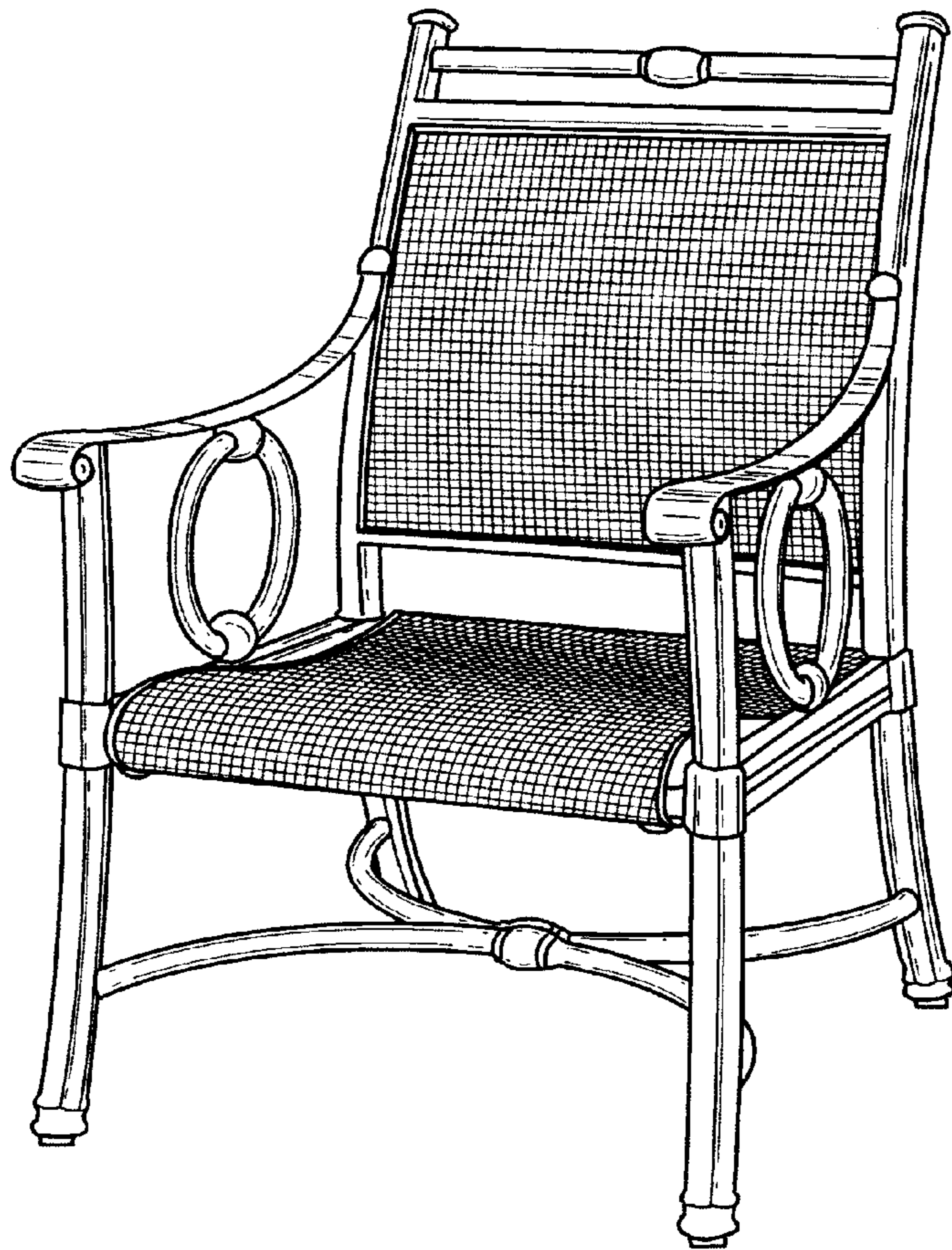


FIG. 1

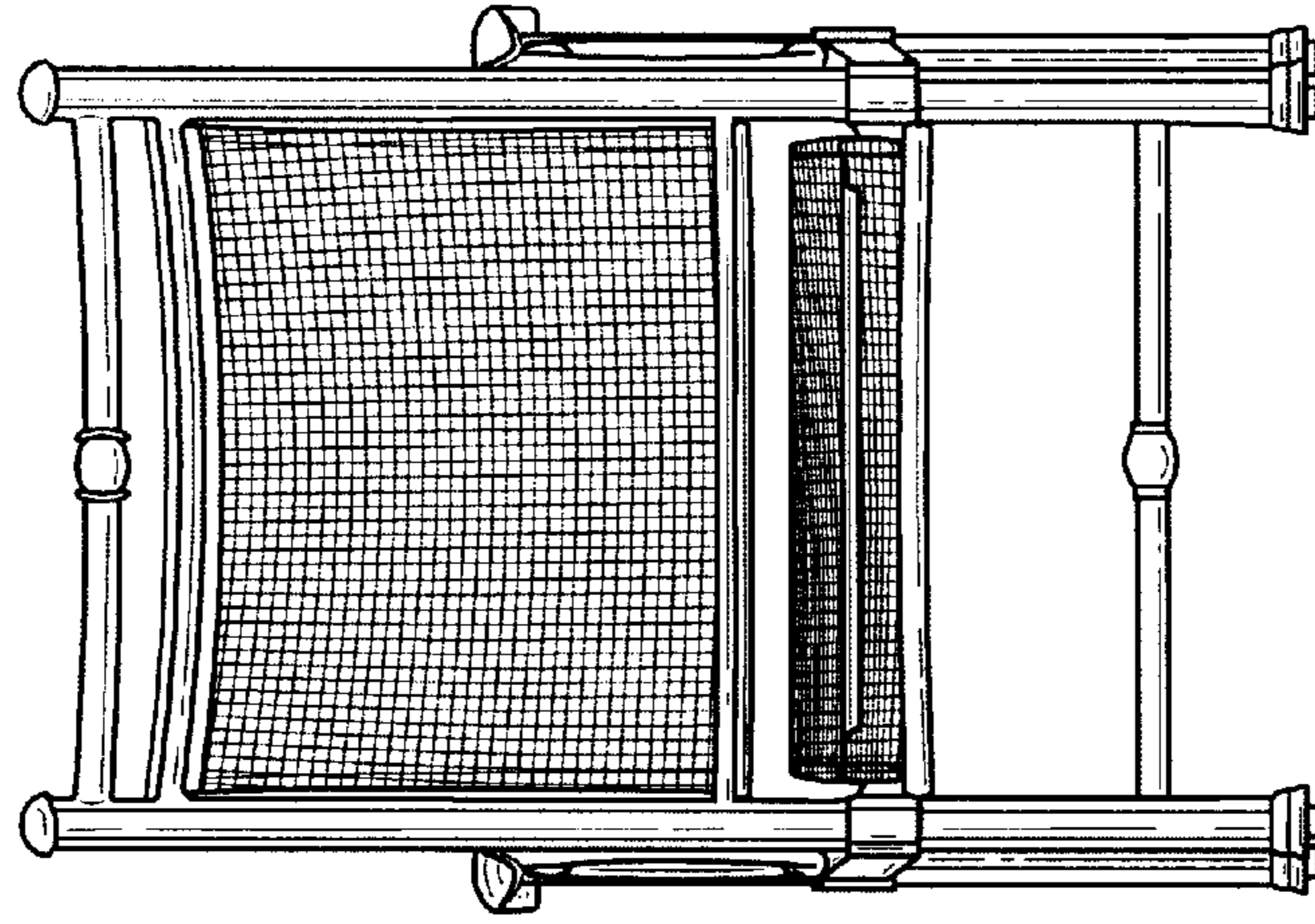


FIG. 3

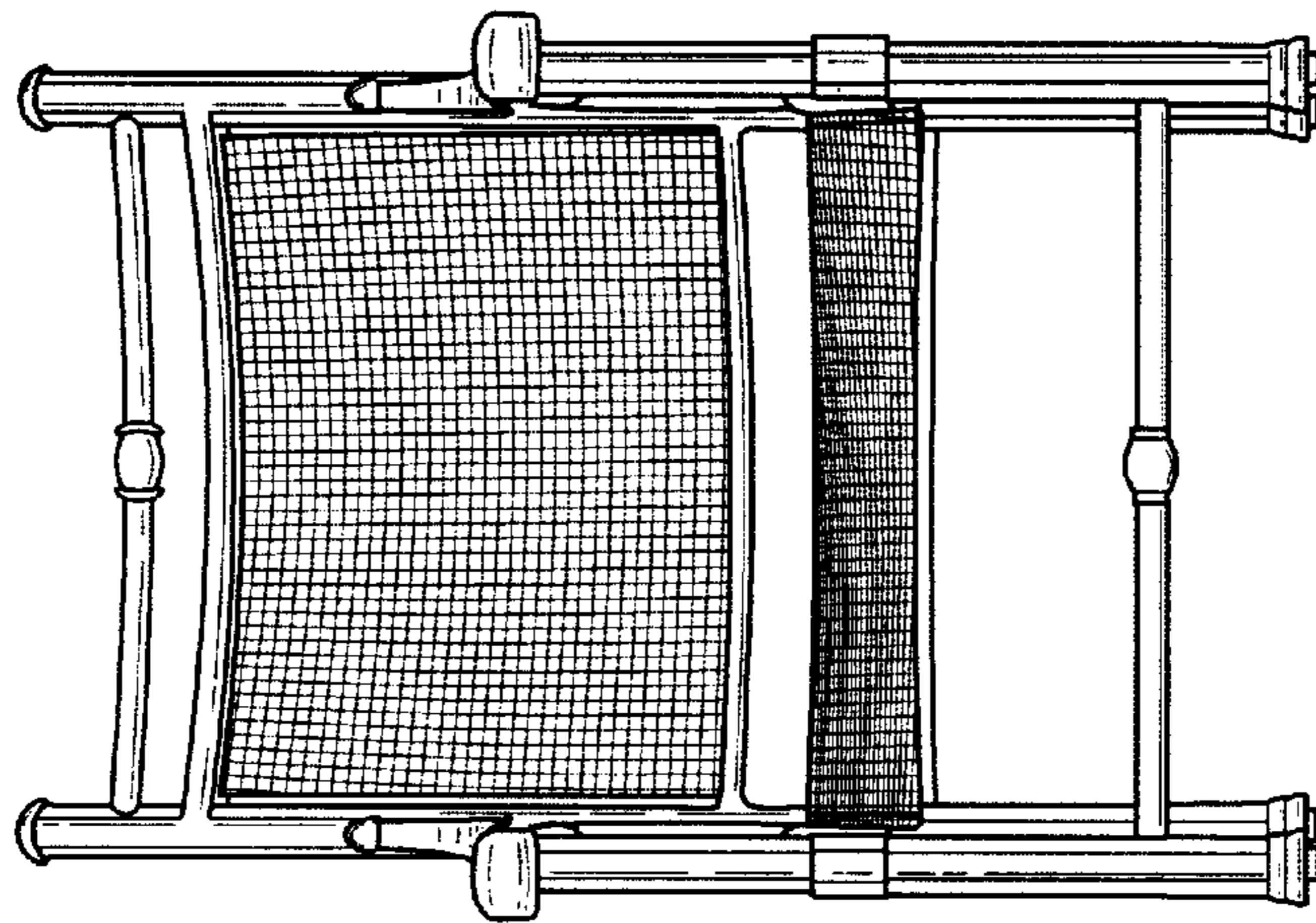


FIG. 2

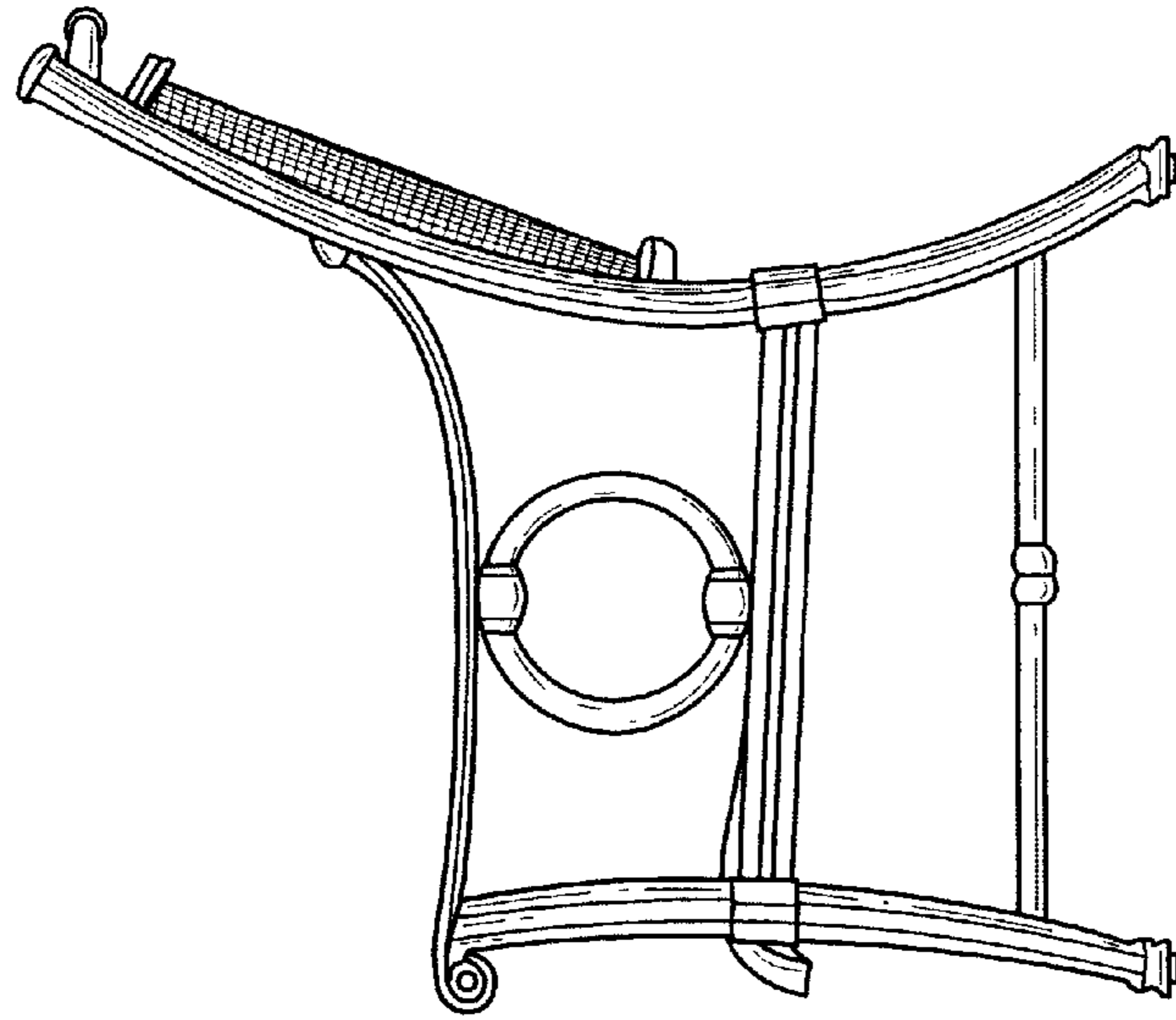


FIG. 5

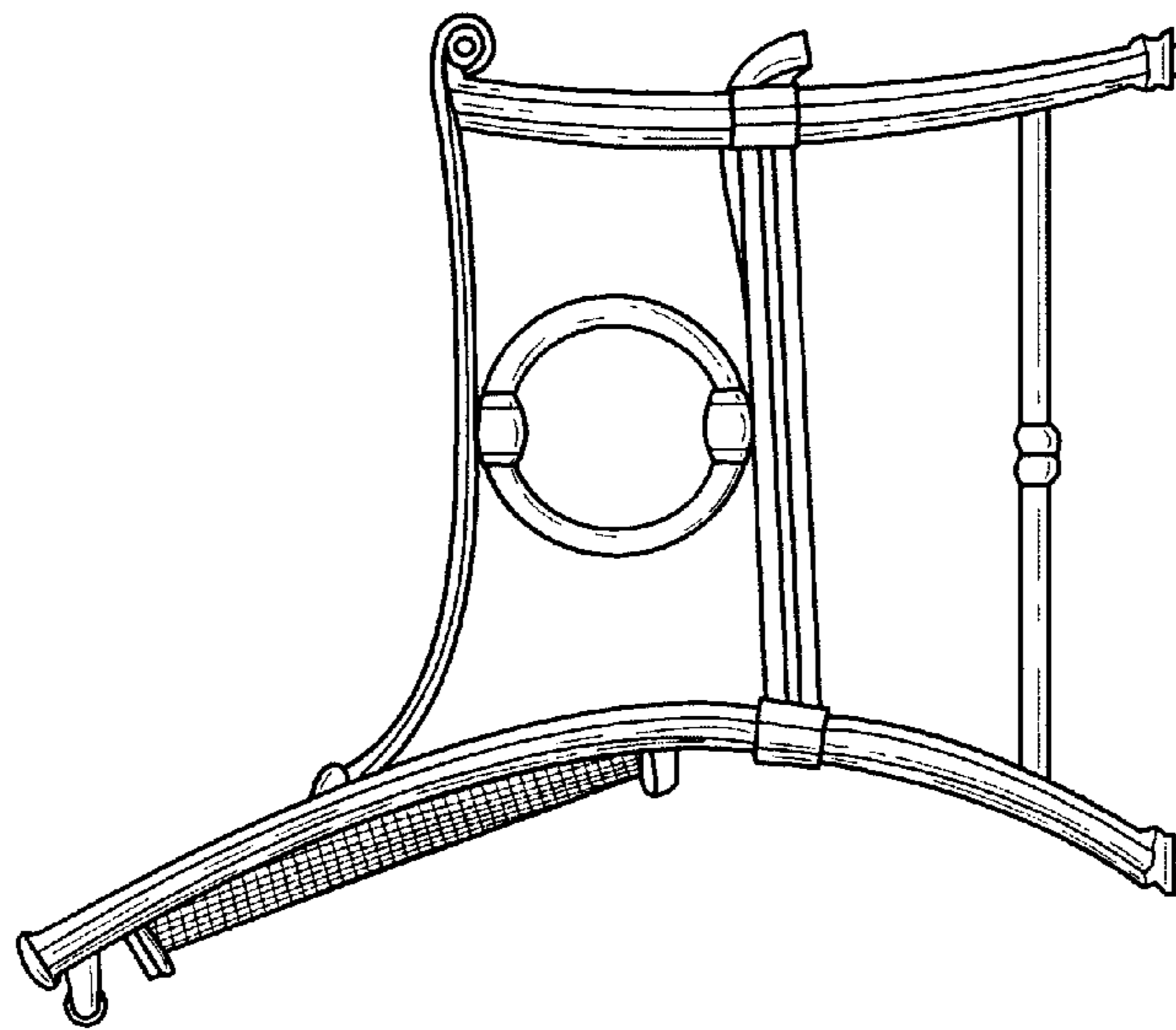


FIG. 4

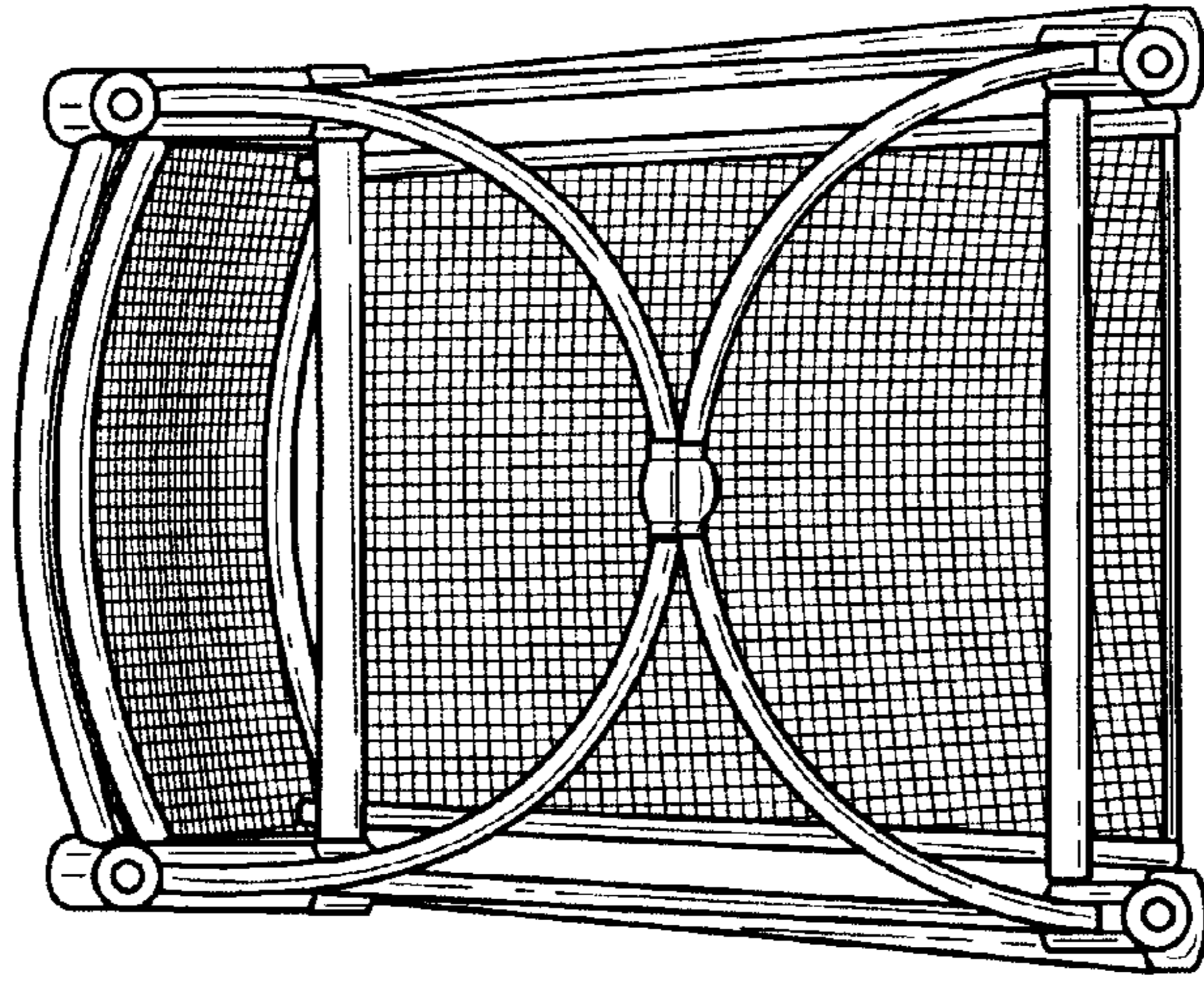


FIG. 7

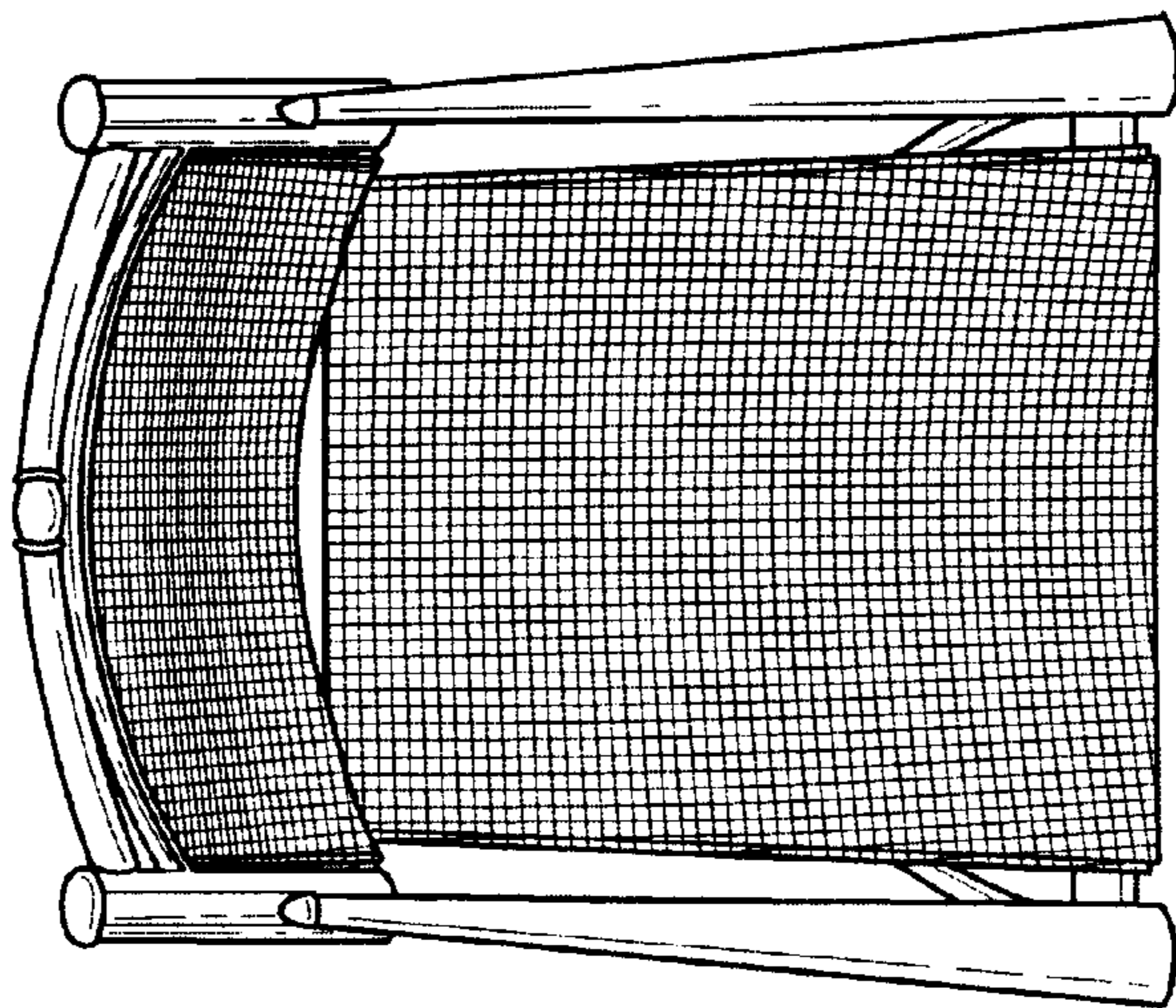


FIG. 6