



US00D539554S

(12) **United States Design Patent**  
**Palasini**

(10) **Patent No.:** **US D539,554 S**

(45) **Date of Patent:** **\*\* Apr. 3, 2007**

(54) **TREE STAND**

(76) Inventor: **Guido A. Palasini**, 125 Palasini Rd.,  
LeLand, MS (US) 38756

(\*\*) Term: **14 Years**

(21) Appl. No.: **29/230,953**

(22) Filed: **May 27, 2005**

(51) **LOC (8) Cl.** ..... **06-01**

(52) **U.S. Cl.** ..... **D6/362**

(58) **Field of Classification Search** ..... D6/334-336,  
D6/362, 367, 368, 379, 380, 500-502; 182/187,  
182/188; 224/155; 297/4, 16.1, 130, 255,  
297/256.15, 331

See application file for complete search history.

(56) **References Cited**

U.S. PATENT DOCUMENTS

1,641,952	A	*	9/1927	Abraham	.....	297/255
3,368,725	A	*	2/1968	Martin	.....	224/155
3,415,340	A		12/1968	Kinkade		
3,869,021	A		3/1975	Sutherland et al.		
3,944,279	A	*	3/1976	Blackstock et al.	.....	182/187
4,347,914	A		9/1982	Gary		
4,425,982	A		1/1984	Kibbie		
4,474,265	A	*	10/1984	Shinkle	.....	182/187
4,687,074	A		8/1987	Green		
4,712,513	A		12/1987	Huppertsberg		
4,840,252	A	*	6/1989	Hucks, Jr.	.....	182/187
4,923,147	A	*	5/1990	Adams et al.	.....	297/464
5,180,030	A		1/1993	Smaby		
5,228,412	A		7/1993	Bell		
5,341,896	A		8/1994	Amacker		
5,507,362	A		4/1996	Krueger		
5,620,227	A	*	4/1997	Brune	.....	297/4
D391,086	S	*	2/1998	Catchings et al.	.....	D6/362
5,921,345	A		7/1999	Cheng		
6,015,190	A	*	1/2000	Wend	.....	297/378.1
6,106,631	A		8/2000	Inoue et al.		
6,125,966	A		10/2000	Jones		
6,223,854	B1		5/2001	Nolz		
6,250,712	B1	*	6/2001	Livington et al.	.....	297/4
6,390,234	B1		5/2002	Boyer		

6,397,389	B1		6/2002	Schultz		
6,637,547	B1		10/2003	Wydner		
6,739,427	B2		5/2004	Gayetty		
2003/0127286	A1	*	7/2003	Engstrom	.....	182/187
2003/0192738	A1		10/2003	Gayetty		

OTHER PUBLICATIONS

U.S. Appl. No. 29/230,954, Palasini.  
Pages from treesuit.com website showing treesuit tree stand searched Date of references #21-30 is Jul. 11, 2005.\*  
Pages from treelounge.com website showing showing Tree Lounge tree stand.\*  
Photographs of Anderson Tree Sling.\*  
Photographs of tree harness manufactured in 1977.\*  
Pages from cabelas.com website showing Trophy Line Tree Saddle.\*  
Pages from cabelas.com website showing Summit Trophy Chair Strap-on Seat.\*  
Pages from cabelas.com website showing Big Game Swivel Tree Seat.\*  
Pages from trophylineusa.com website showing Tree Saddle.\*  
Pages from Redhead 2003 Fall Hunting Catalog showing tree stands secured with straps.\*  
Photographs of seat.\*

\* cited by examiner

*Primary Examiner*—Mimosa De  
(74) *Attorney, Agent, or Firm*—Baker, Donelson, Bearman, Caldwell & Berkowitz, PC; Lea H. Speed; Peter L. Brewer

(57) **CLAIM**

I claim the ornamental design for a tree stand, as shown and described.

**DESCRIPTION**

FIG. 1 provides a perspective view of the tree stand. The tree stand is shown folded out and placed against a tree. The tree and a support strap are shown in broken lines and do not form a part of the claimed invention.  
FIG. 2 shows a top view of the tree stand of FIG. 1, again in its folded out position. In this view, the tree and support strap are not shown. A forked support bar is shown in broken lines and does not form a part of the claimed invention.

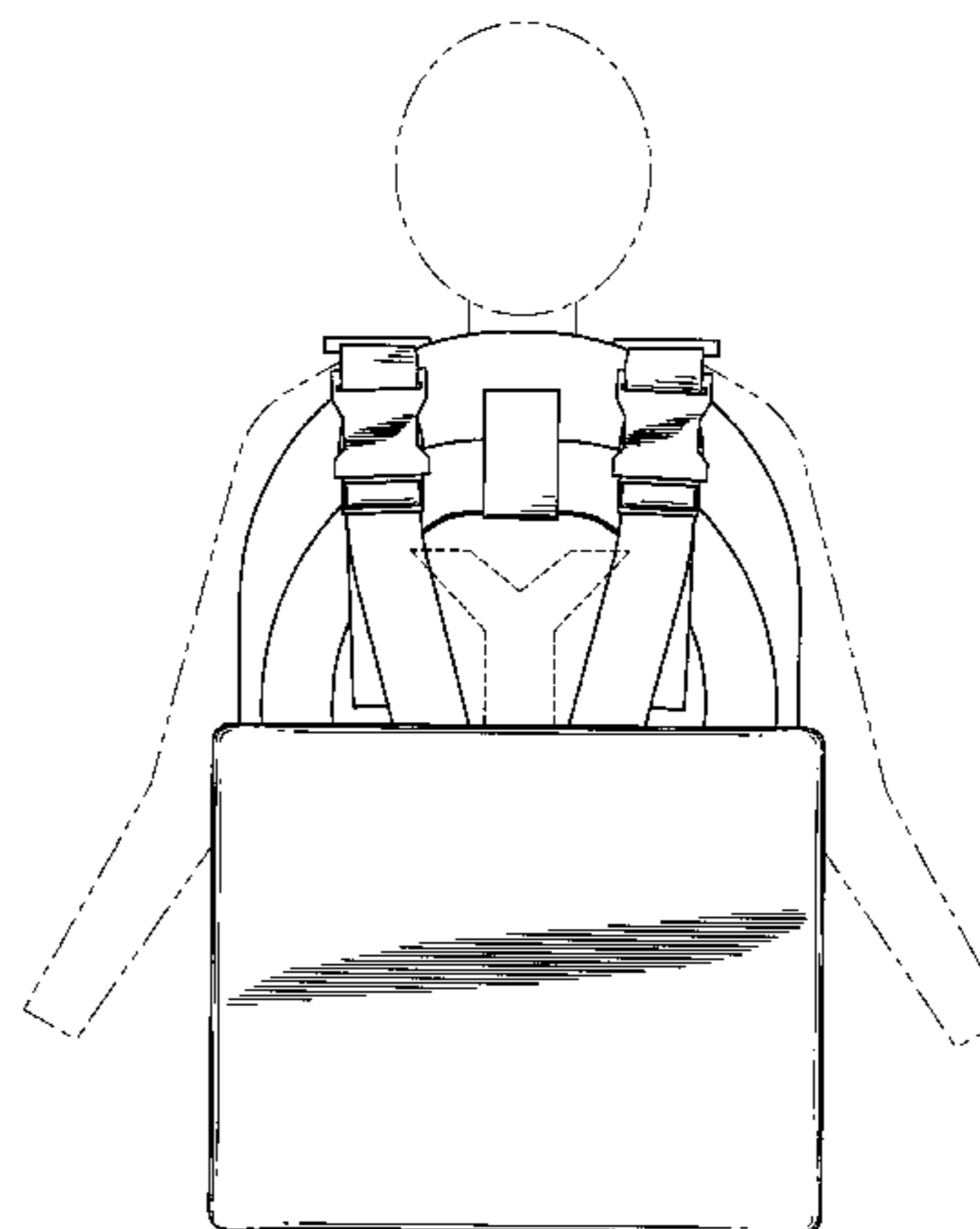
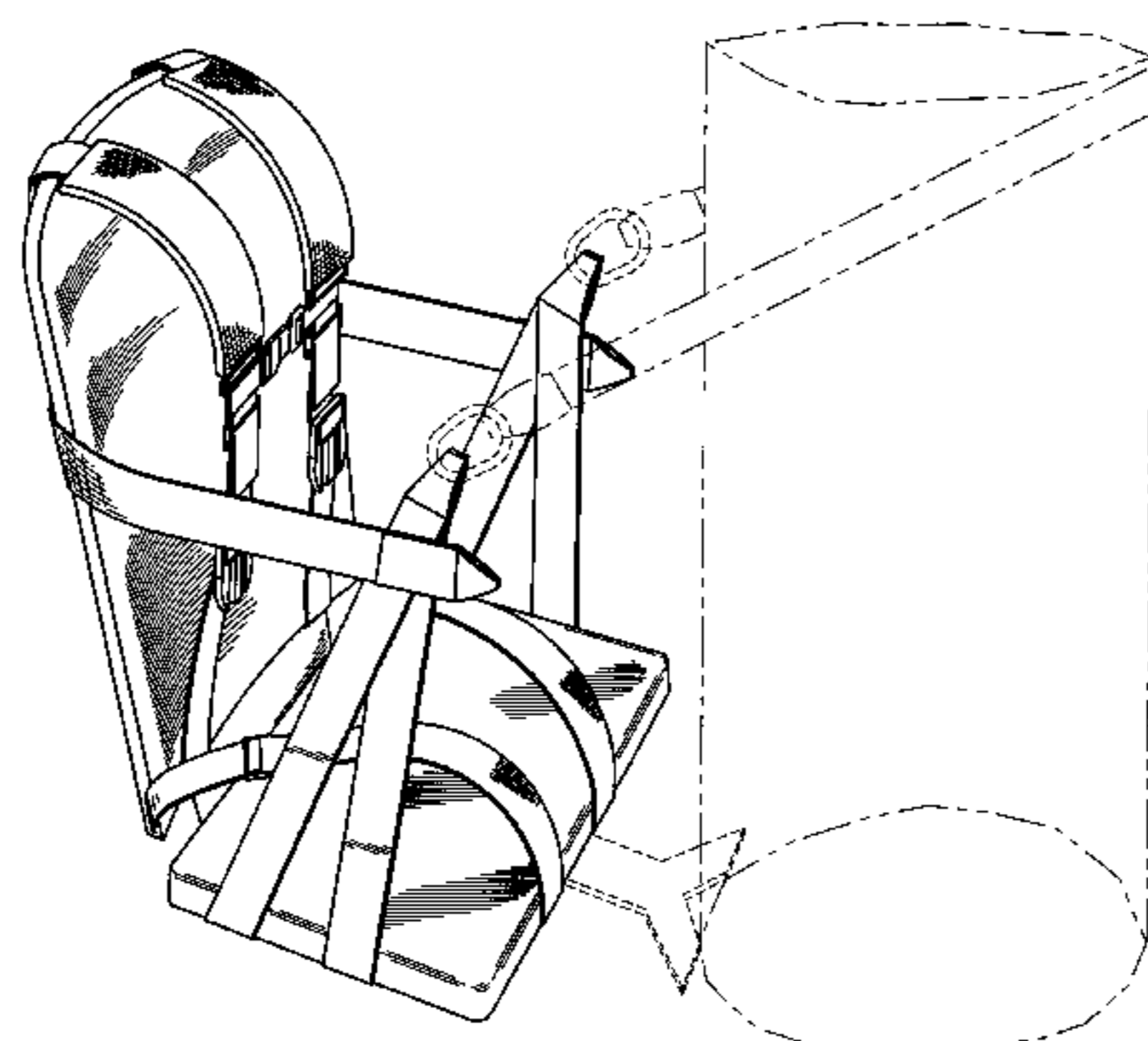


FIG. 3 presents a first side view of the tree stand of FIG. 1, once again in its folded out position.

FIG. 4 presents a second opposing side view of the tree stand of FIG. 1 in its folded out position.

FIG. 5 is a bottom view of the tree stand of FIG. 1 still in its folded out position. The support bar is again shown in broken lines.

FIG. 6 provides a rear view of the tree stand of FIG. 1. The tree and support strap are not shown.

FIG. 7 provides a front view of the tree stand. In this view, the tree and support strap are not shown.

FIG. 8 presents a rear view of the tree stand of FIG. 1. Here, the tree stand is in a folded position. The tree stand is strapped onto an individual, shown in broken lines. The individual's profile, of course, forms no part of the claimed invention; and,

FIG. 9 demonstrates a rear view of the tree stand of FIG. 6. In this view, the tree stand is again shown folded out and placed against a tree for use. The tree and support strap are shown in broken lines and do not form a part of the claimed invention.

**1 Claim, 9 Drawing Sheets**

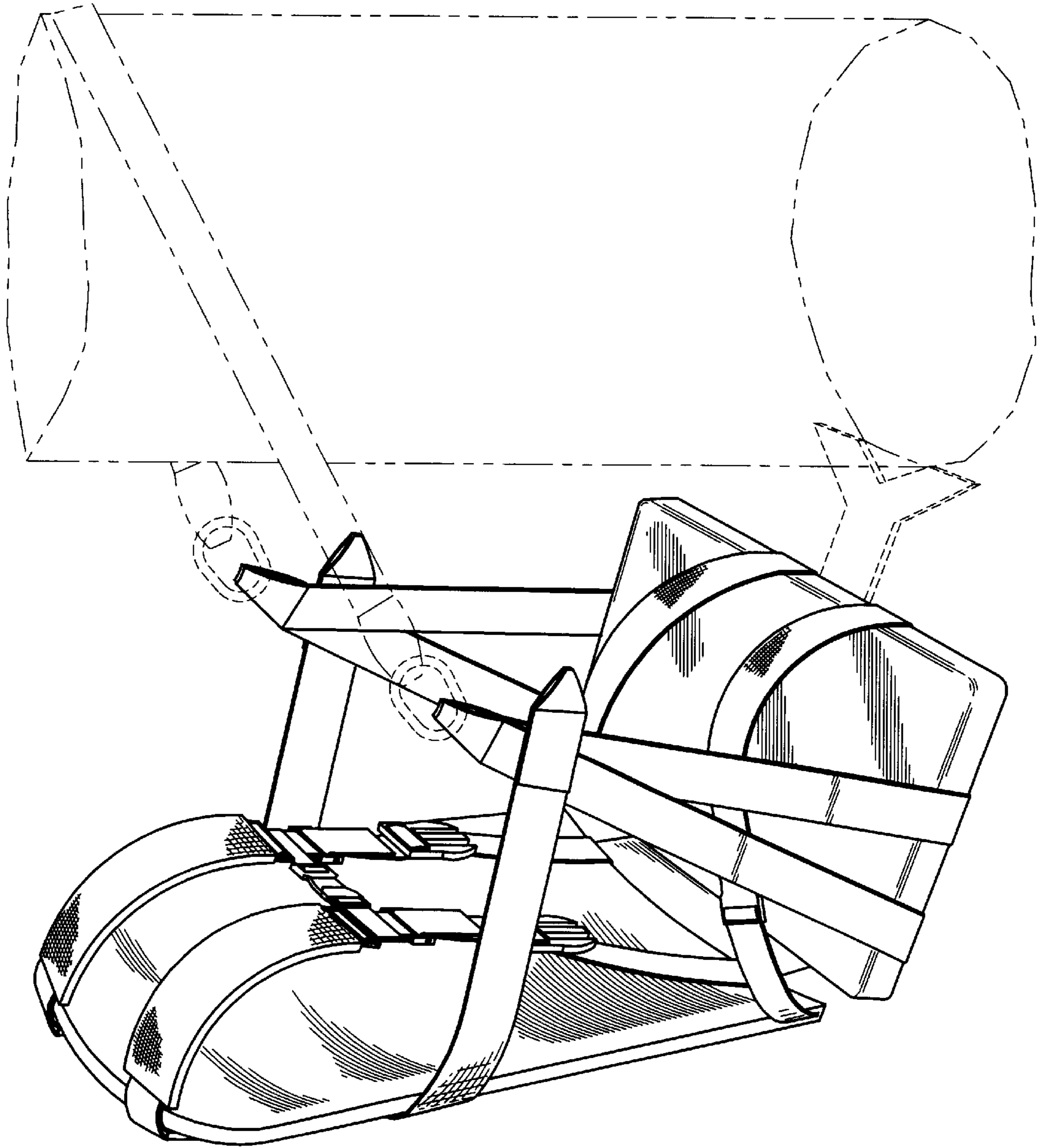


Fig. 1

Fig. 2

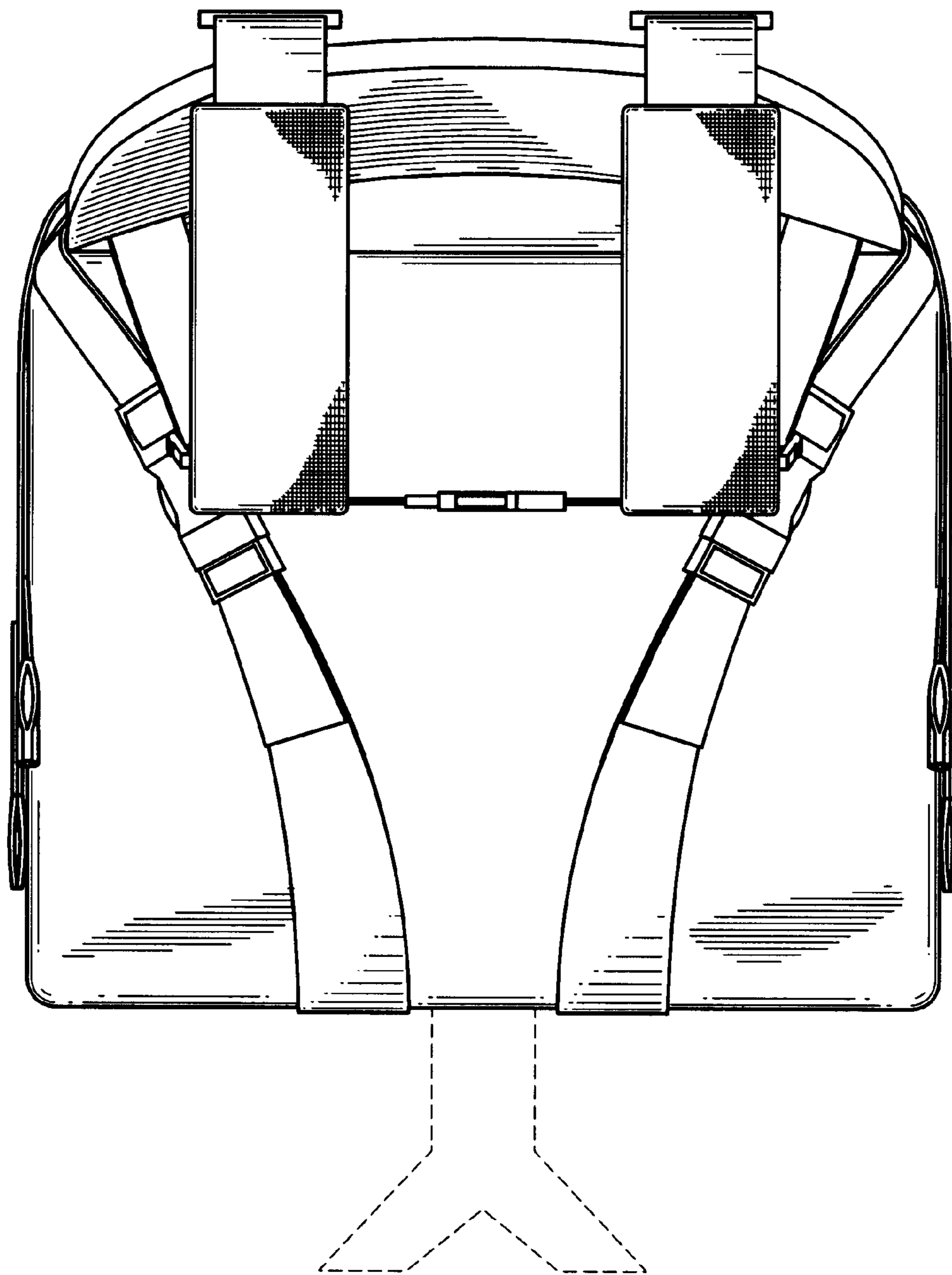


Fig. 3

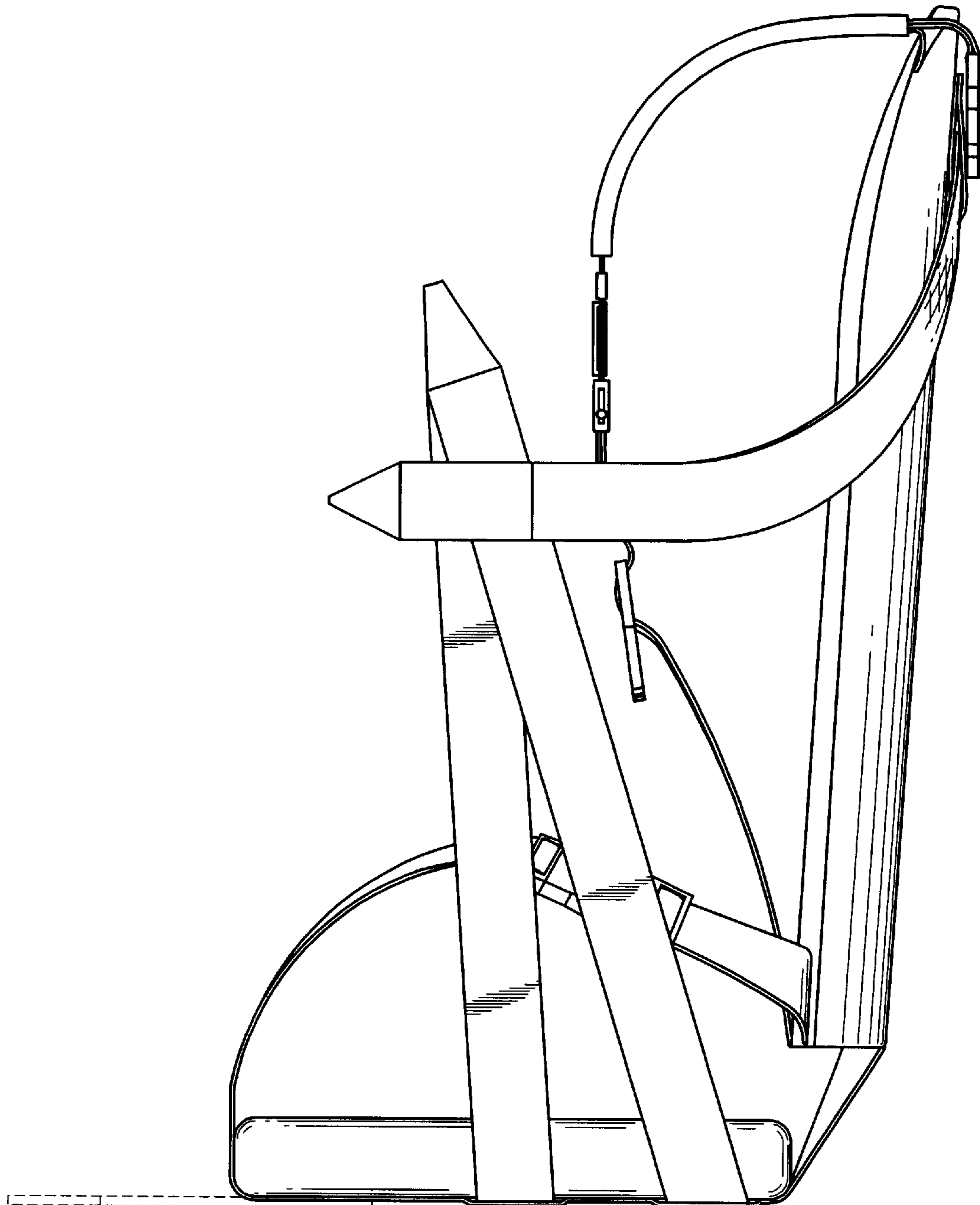


Fig. 4

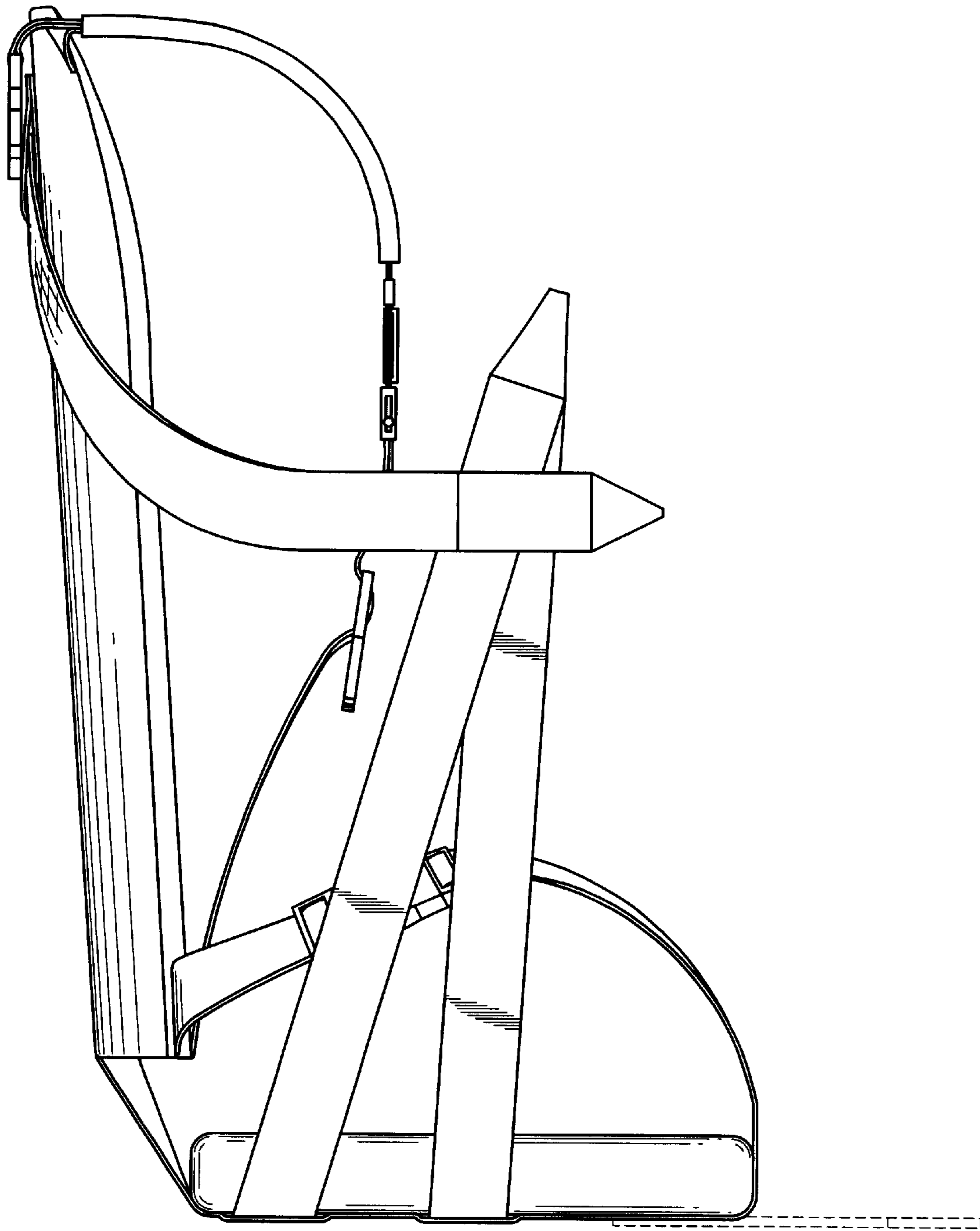


Fig. 5

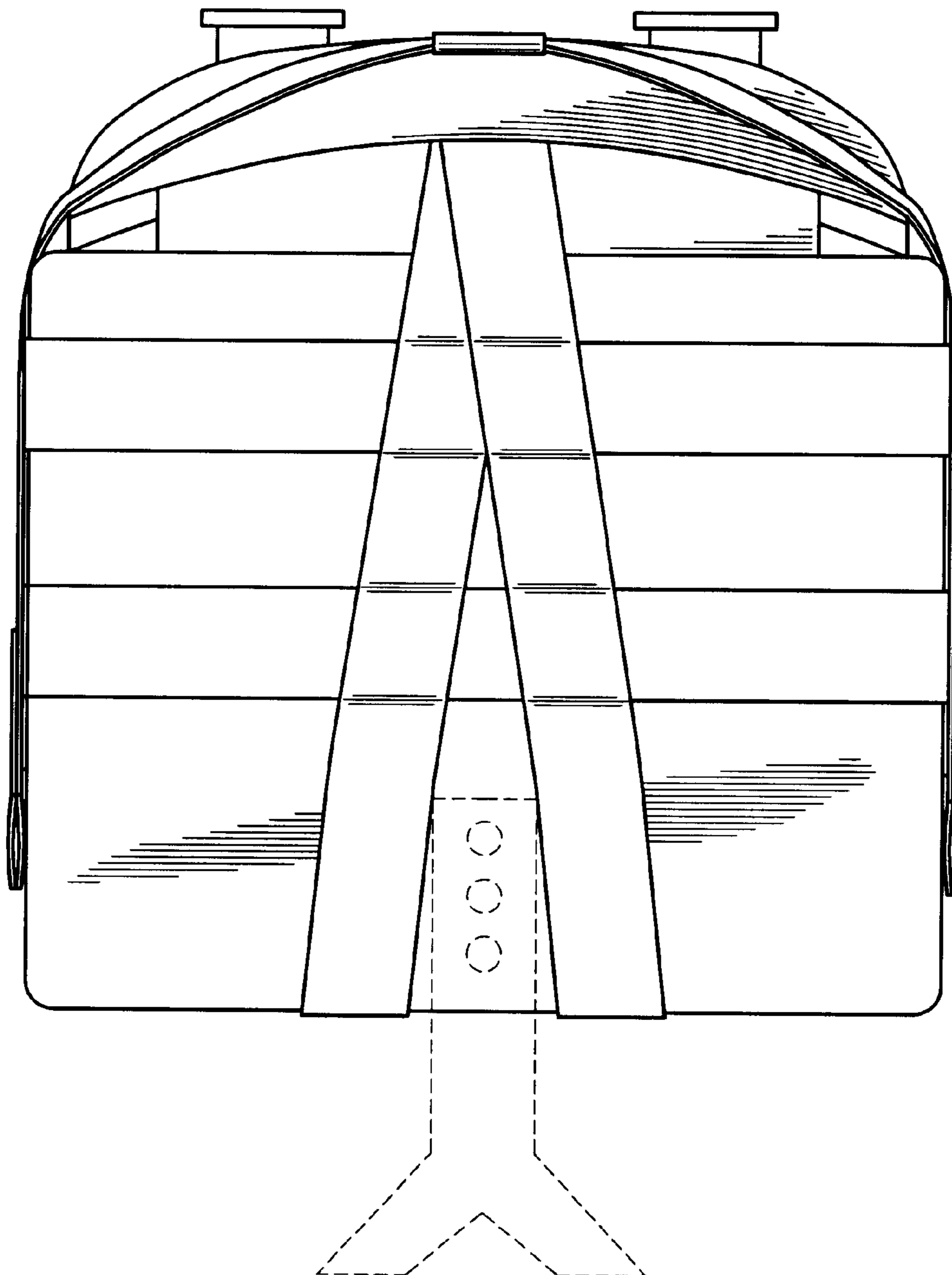


Fig. 6

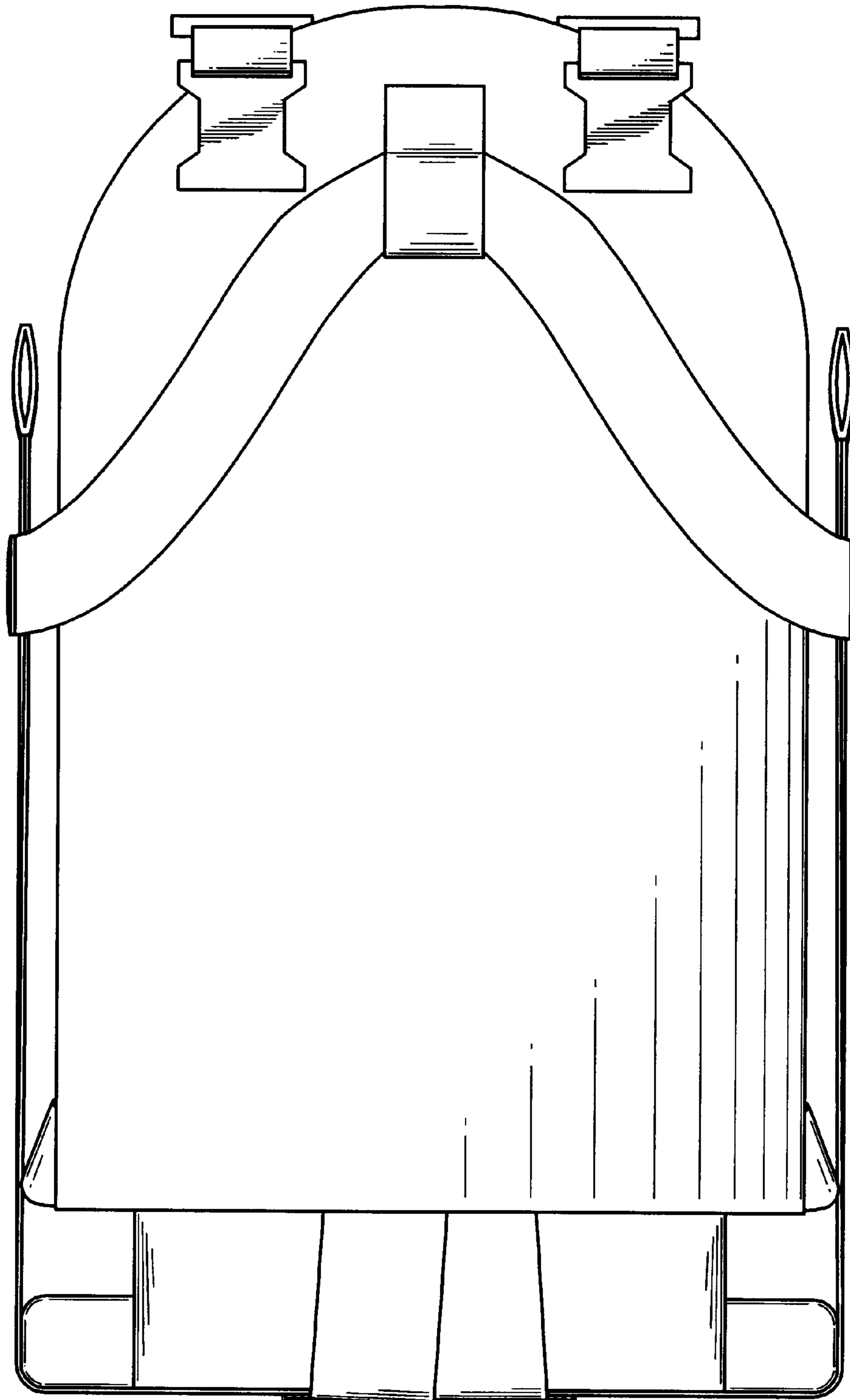




Fig. 7

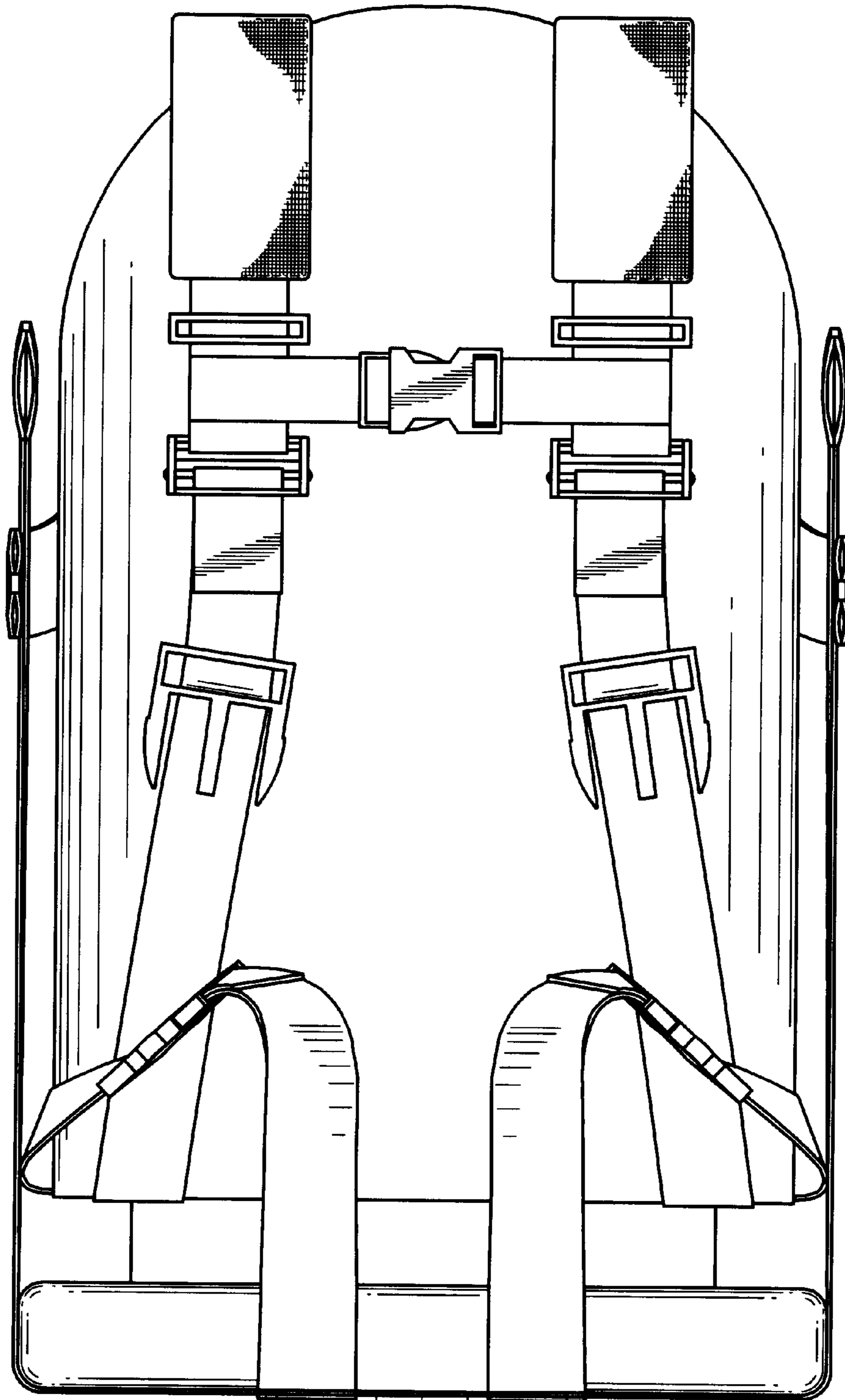


Fig. 8

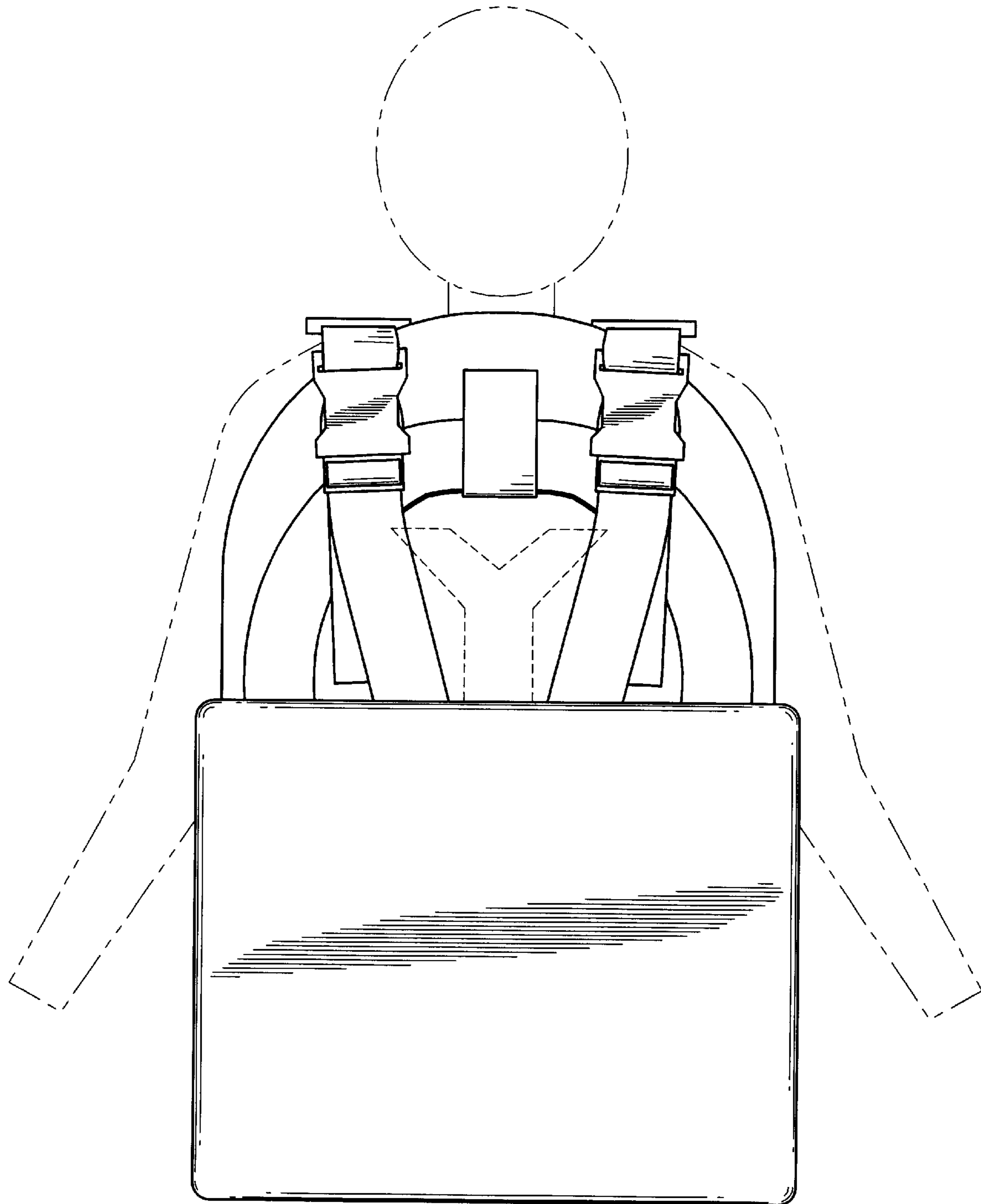


Fig. 9

