



US00D539551S

(12) **United States Design Patent**
Ovesen

(10) **Patent No.:** **US D539,551 S**

(45) **Date of Patent:** **** Apr. 3, 2007**

(54) **CHAIR**

(75) **Inventor:** **Carsten Ovesen**, Singapore (SG)

(73) **Assignee:** **Agio International Co., Ltd.**, East Kowloon (HK)

(**) **Term:** **14 Years**

(21) **Appl. No.:** **29/245,839**

(22) **Filed:** **Dec. 29, 2005**

(30) **Foreign Application Priority Data**

Jul. 11, 2005 (CN) 2005 3 0063362

(51) **LOC (8) Cl.** **06-01**

(52) **U.S. Cl.** **D6/334**

(58) **Field of Classification Search** D6/334-336,
D6/349, 358, 353, 356, 360, 377, 364-366,
D6/368-370, 379-381, 500-502; 297/16.1,
297/68, 452.1, 452.2, 461, 118; D11/149;
5/12.1, 653, 655.3

See application file for complete search history.

(56) **References Cited**

U.S. PATENT DOCUMENTS

D243,571 S * 3/1977 Wisner D6/369
D265,953 S * 8/1982 Olko D6/369
D327,583 S * 7/1992 Dettinger D6/334
D352,615 S * 11/1994 Hutton D6/334
D372,366 S * 8/1996 Frinier D6/369

D378,962 S * 4/1997 Greene D6/369
D380,100 S * 6/1997 Smith D6/369
D383,006 S * 9/1997 Hutton D6/334
D388,965 S * 1/1998 Mourgue D6/334
D391,090 S * 2/1998 Schwartz D6/369
D399,665 S * 10/1998 Muller D6/370
D412,408 S * 8/1999 Navone D6/369
D413,448 S * 9/1999 Navone D6/369
D416,699 S * 11/1999 Schwartz et al. D6/369
D481,214 S * 10/2003 Chalmers et al. D6/370
D481,215 S * 10/2003 Chalmers et al. D6/370
D485,688 S * 1/2004 Frinier et al. D6/334
D525,796 S * 8/2006 Thomkins D6/369
D526,797 S * 8/2006 Thomkins D6/369

* cited by examiner

Primary Examiner—Sandra S. Snapp

(74) *Attorney, Agent, or Firm*—Willams Mullen; M. Bruce Harper; Kelly J. Hollowell

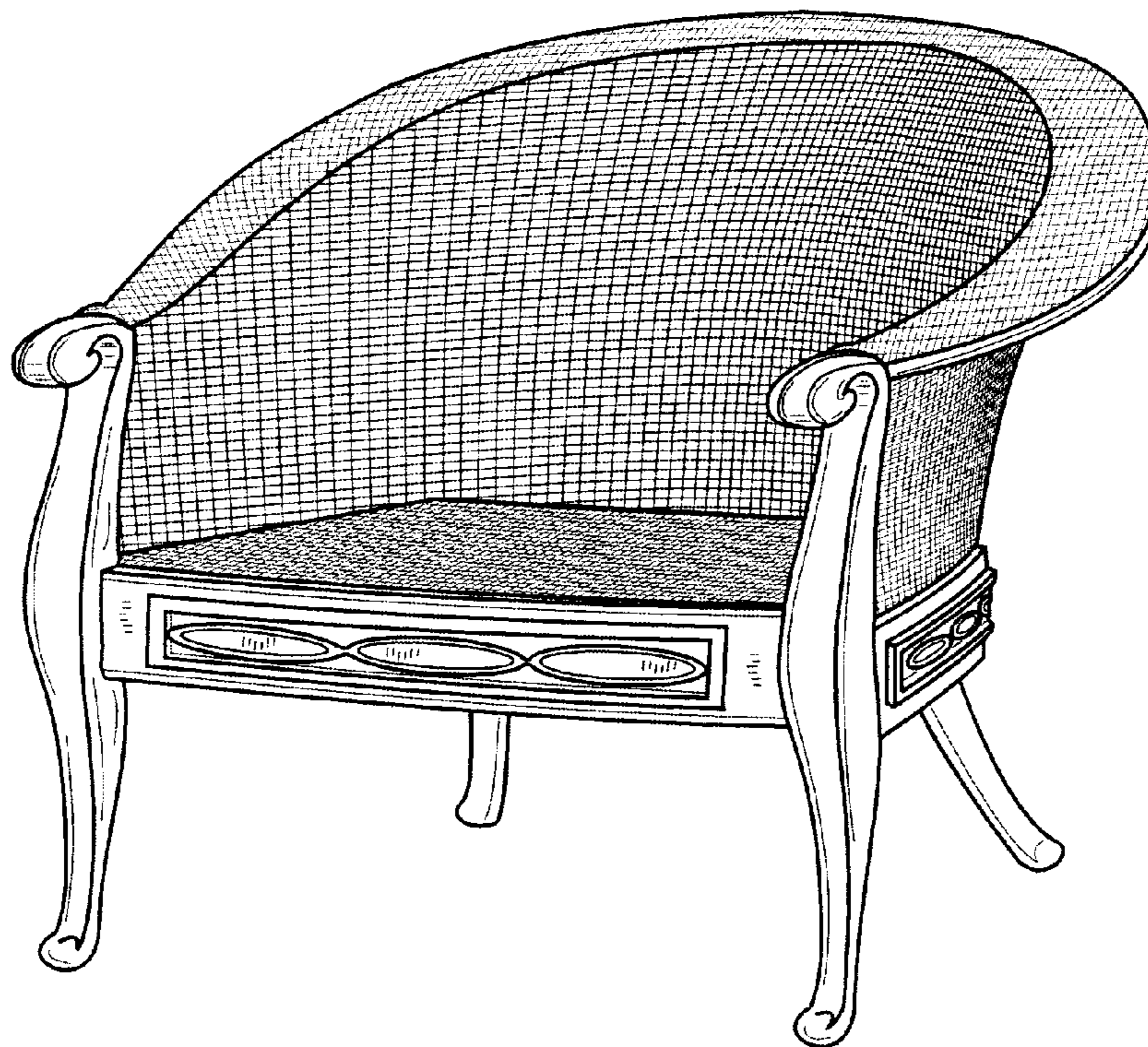
(57) **CLAIM**

The ornamental design for a chair, as shown.

DESCRIPTION

FIG. 1 is a front, left perspective view;
FIG. 2 is a front elevation view;
FIG. 3 is a rear elevation view;
FIG. 4 is a left side elevation view;
FIG. 5 is a right side elevation view;
FIG. 6 is a top plan view; and,
FIG. 7 is a bottom plan view.

1 Claim, 4 Drawing Sheets



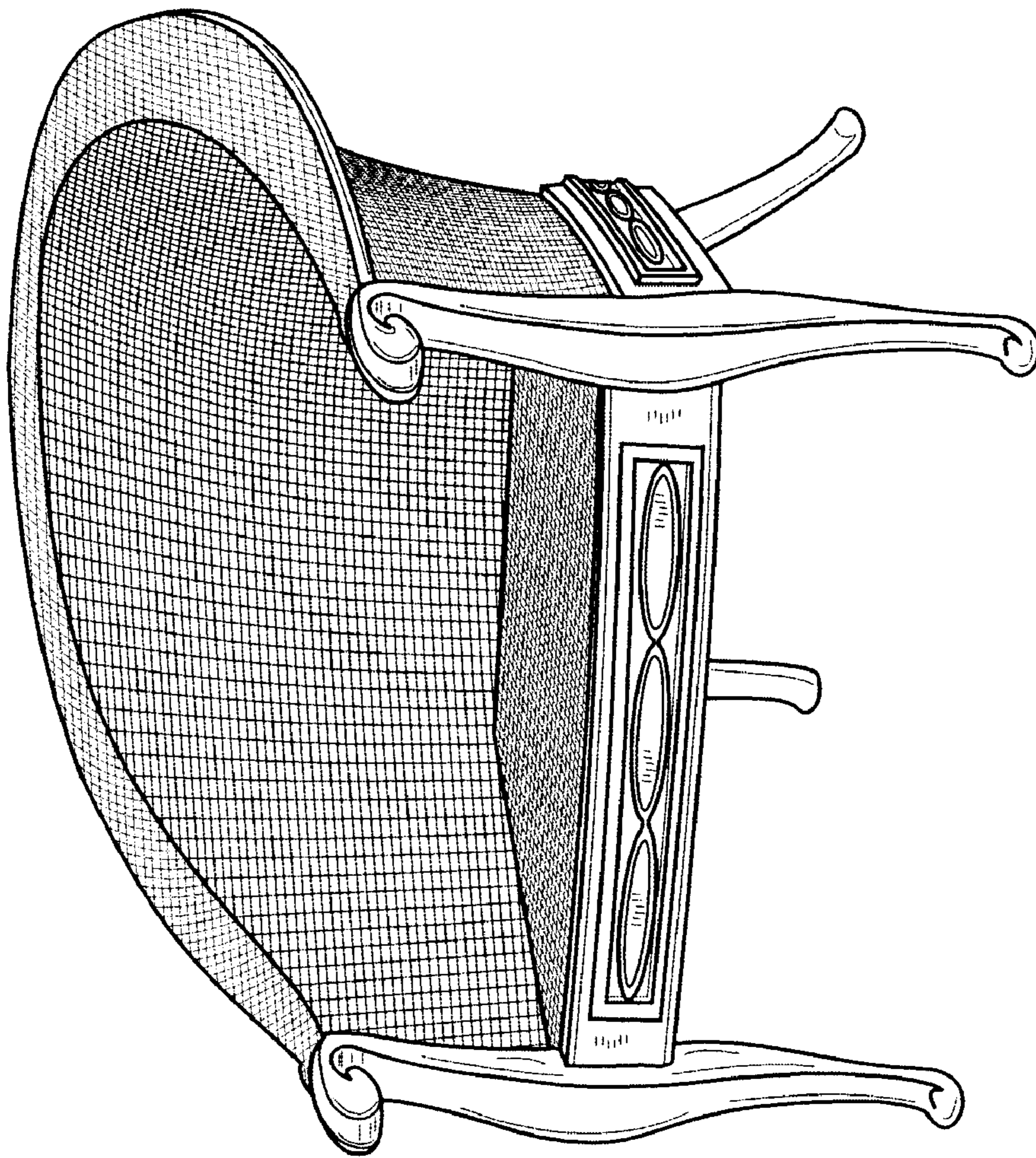


FIG. 1

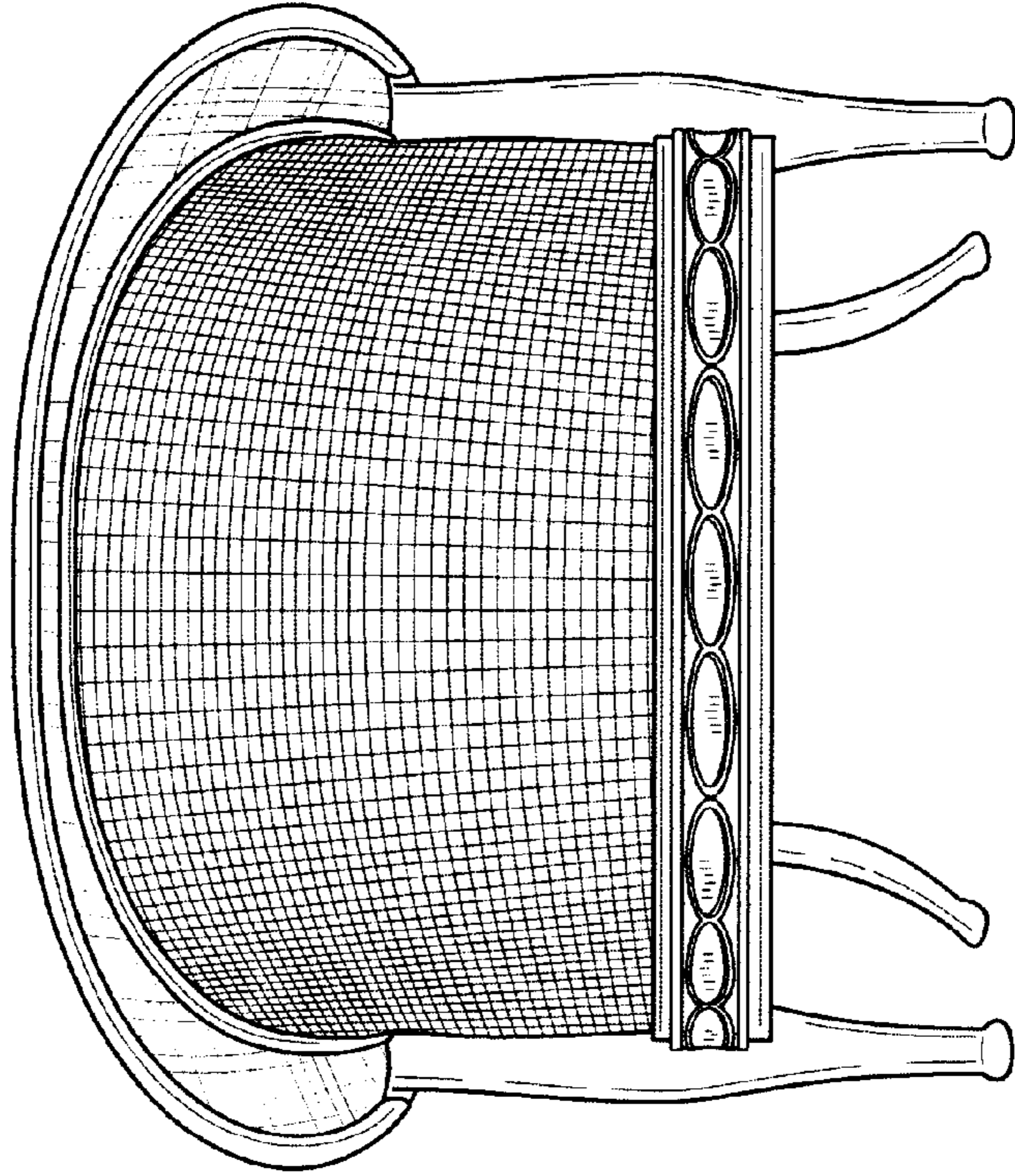


FIG. 3

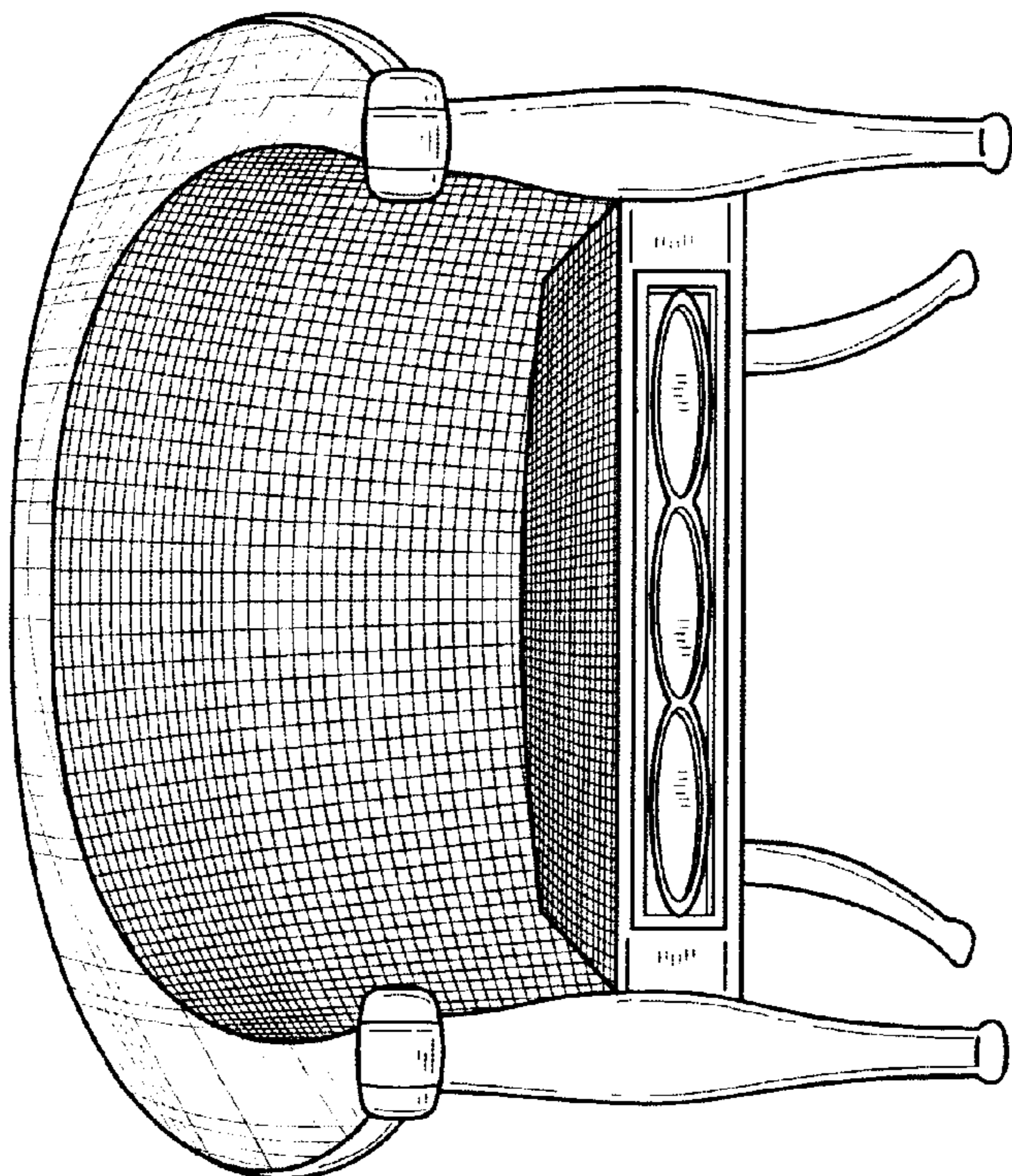


FIG. 2

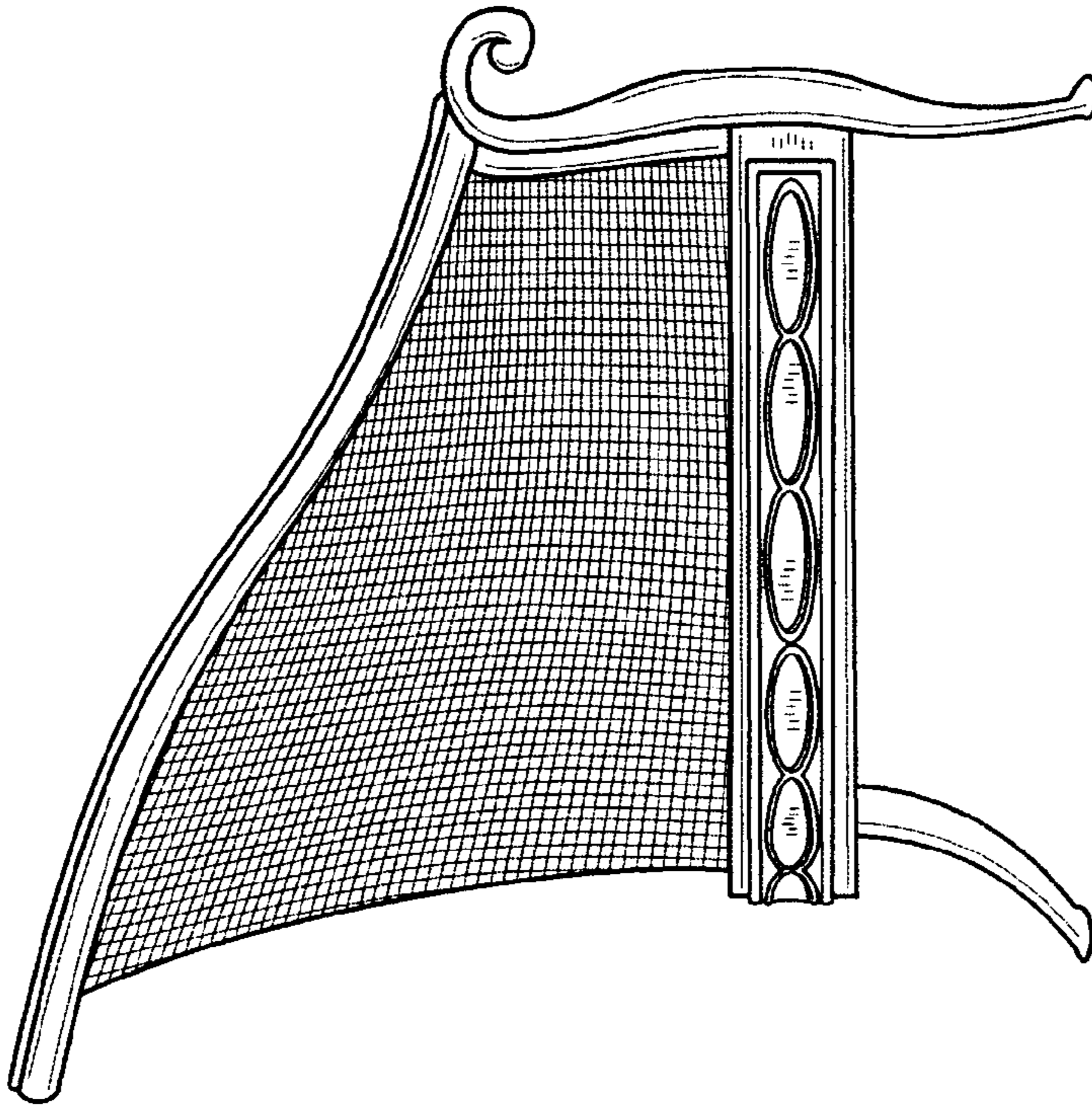


FIG. 5

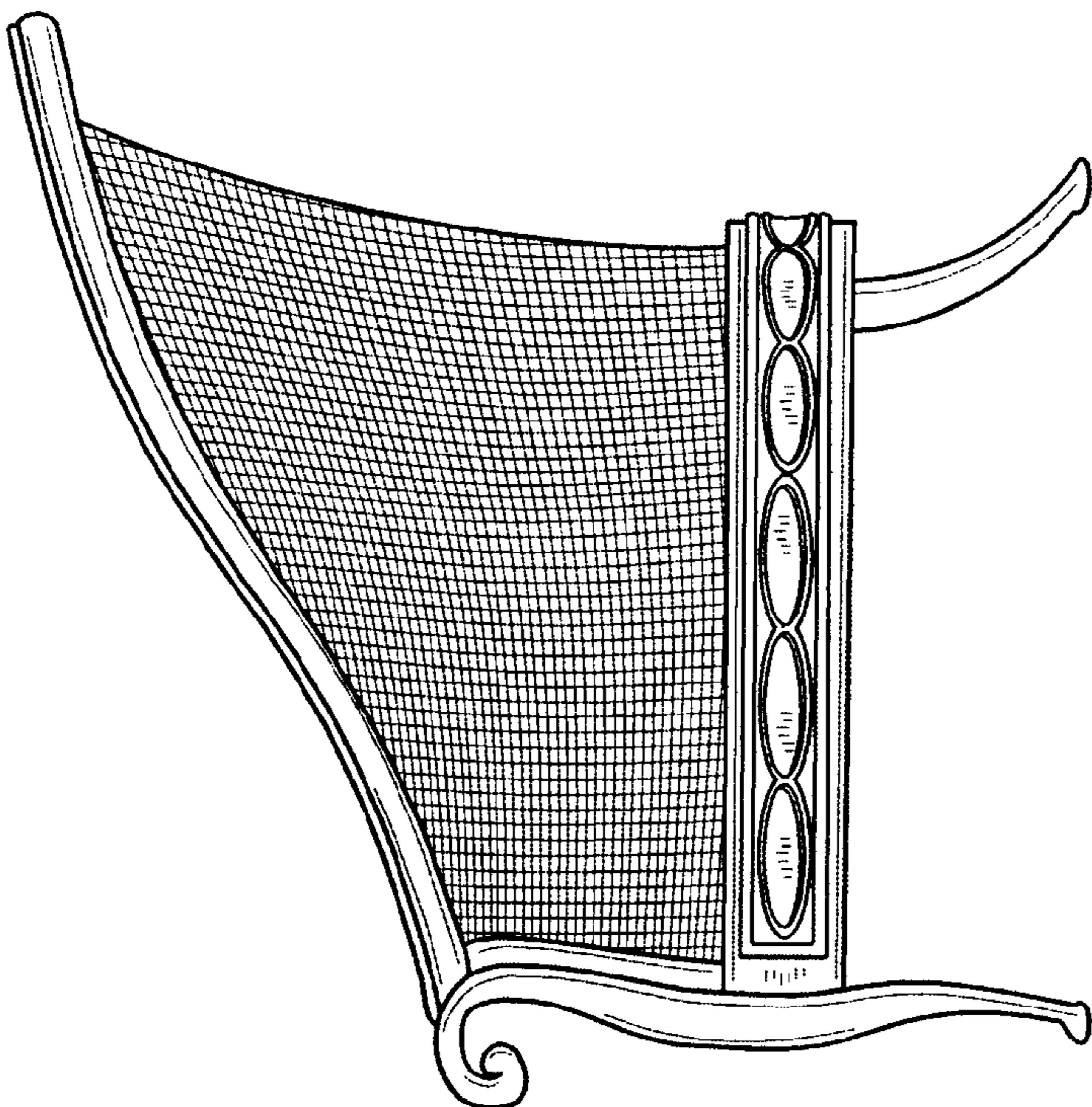


FIG. 4

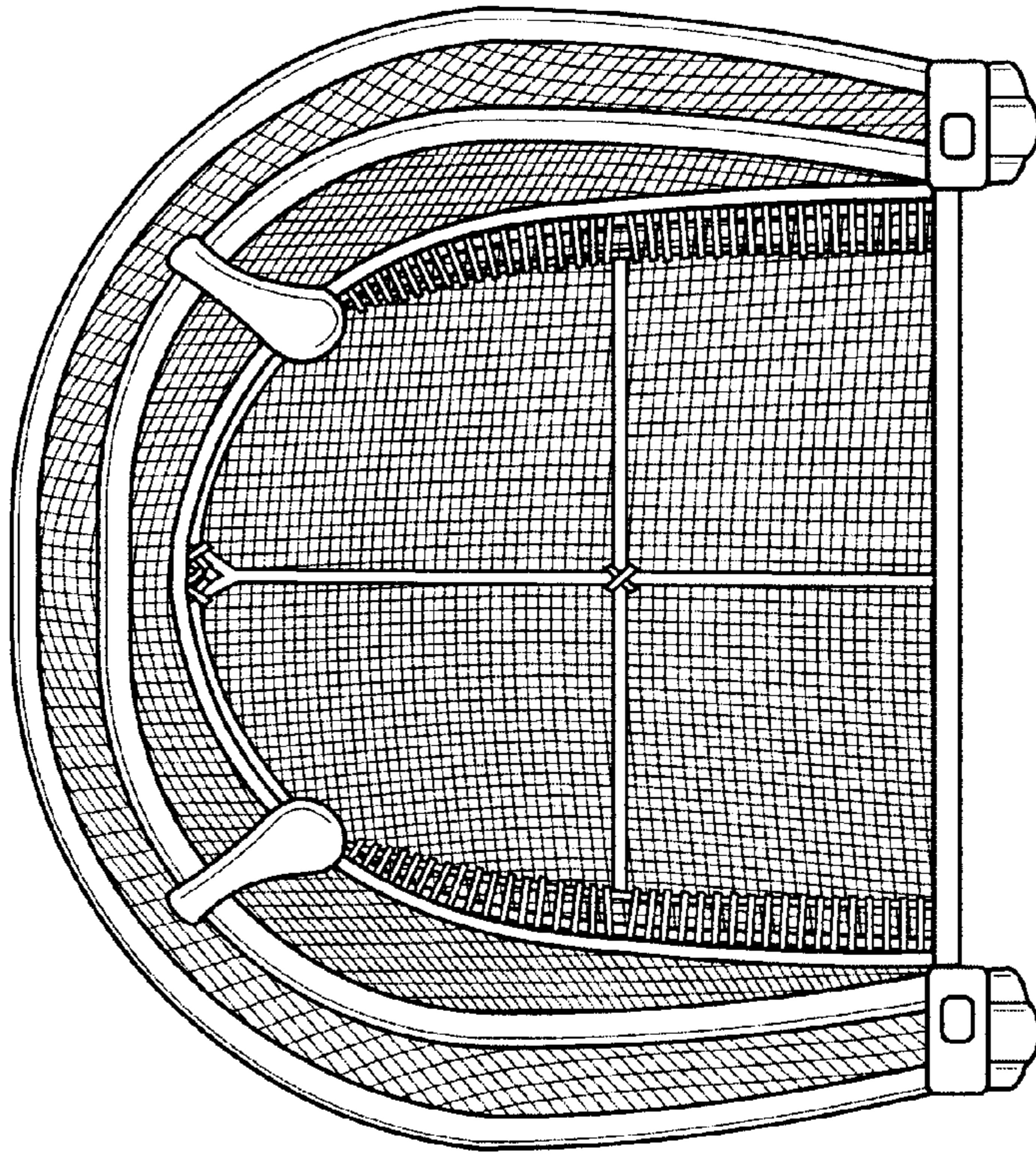


FIG. 7

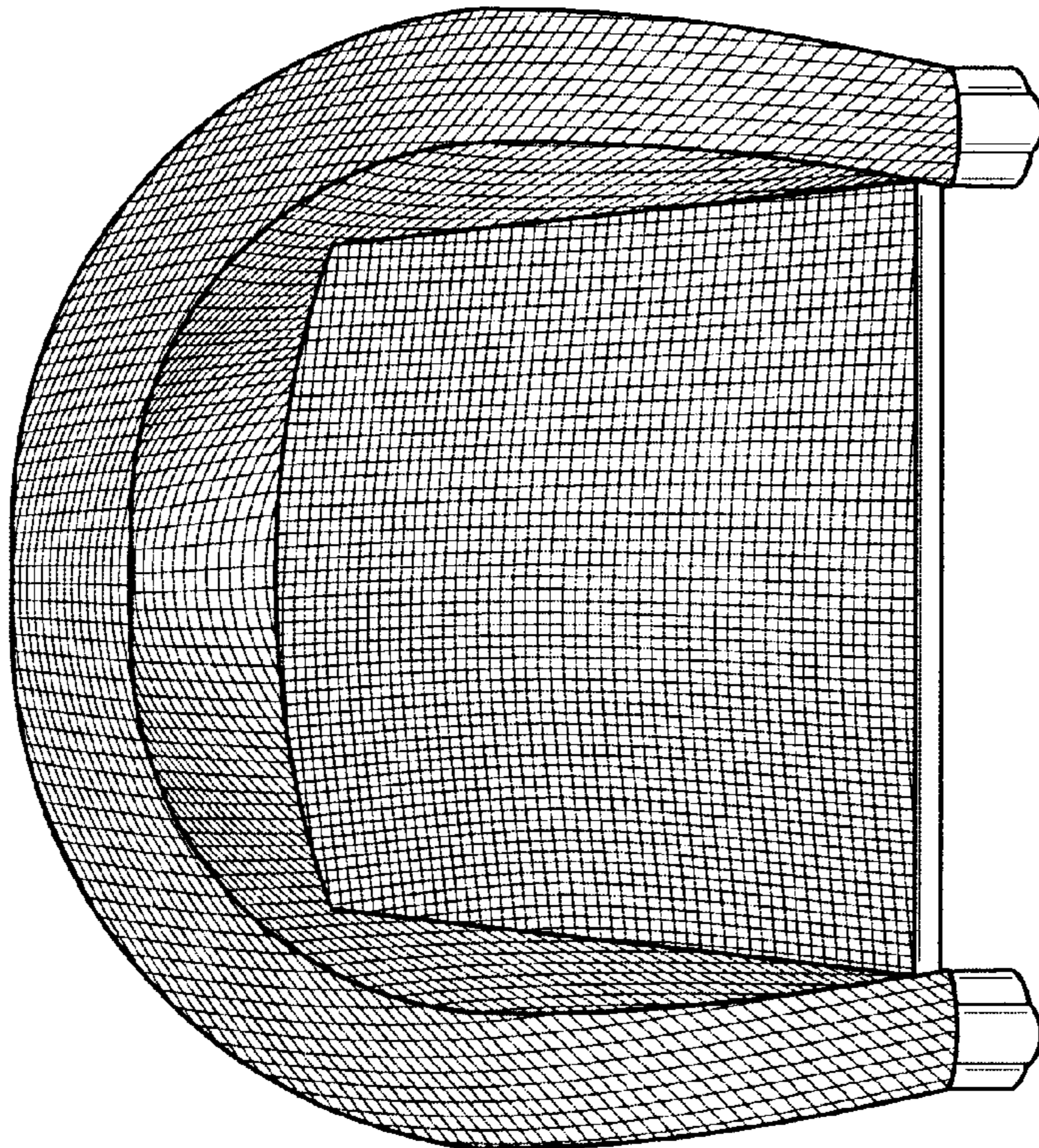


FIG. 6