



US00D539547S

(12) **United States Design Patent**
Leung

(10) **Patent No.:** **US D539,547 S**

(45) **Date of Patent:** **** Apr. 3, 2007**

(54) **HAIR BRUSH**

(75) **Inventor:** **Anthony Kit Lun Leung**, North Point (HK)

(73) **Assignee:** **Conair Corporation**, Stamford, CT (US)

(**) **Term:** **14 Years**

(21) **Appl. No.:** **29/263,848**

(22) **Filed:** **Jul. 31, 2006**

(51) **LOC (8) Cl.** **04-02**

(52) **U.S. Cl.** **D4/128**

(58) **Field of Classification Search** D4/128, D4/132-134, 138; D28/10, 28, 35, 37; 15/27, 15/159.1, 160, 186-188, 191.1, 192, 193; 132/120, 121, 226, 237, 262, 268, 271, 313
See application file for complete search history.

(56) **References Cited**

U.S. PATENT DOCUMENTS

4,250,902 A * 2/1981 Ihara 132/271

D450,458 S * 11/2001 Varriale D4/128
D466,309 S * 12/2002 Fong D4/128
D483,572 S * 12/2003 Fong D4/128
7,082,949 B2 * 8/2006 Julemont 132/268 X

* cited by examiner

Primary Examiner—Alan P. Douglas

Assistant Examiner—Lavone D. Tabor

(74) *Attorney, Agent, or Firm*—Lawrence Cruz; Steven A. Garner

(57) **CLAIM**

The ornamental design for a hair brush, as shown.

DESCRIPTION

FIG. 1 is a perspective view of a hair brush showing my new design;

FIG. 2 is a front view thereof;

FIG. 3 is a rear view thereof;

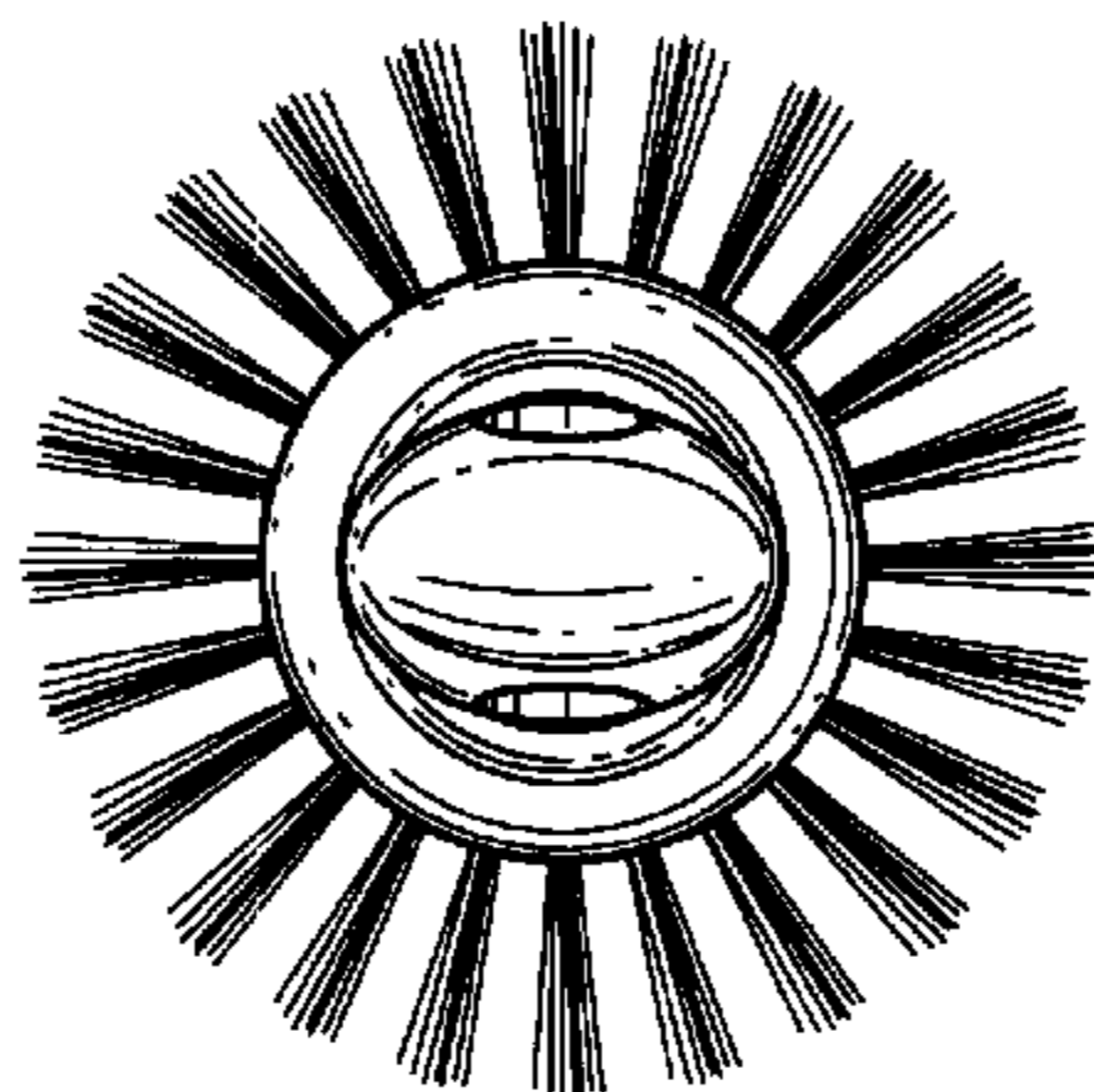
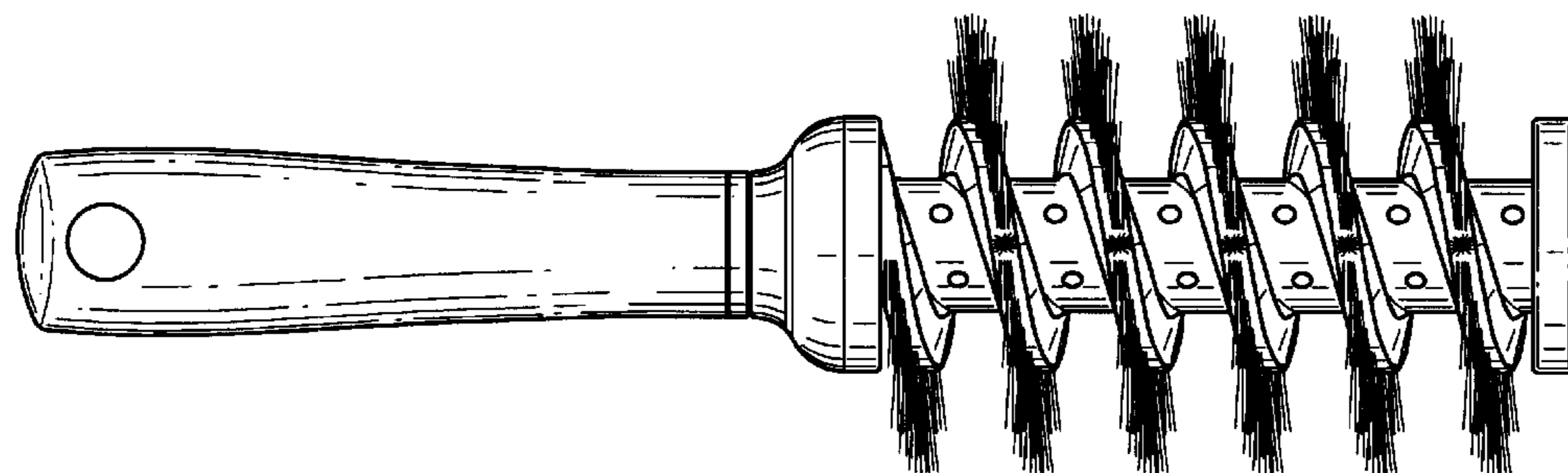
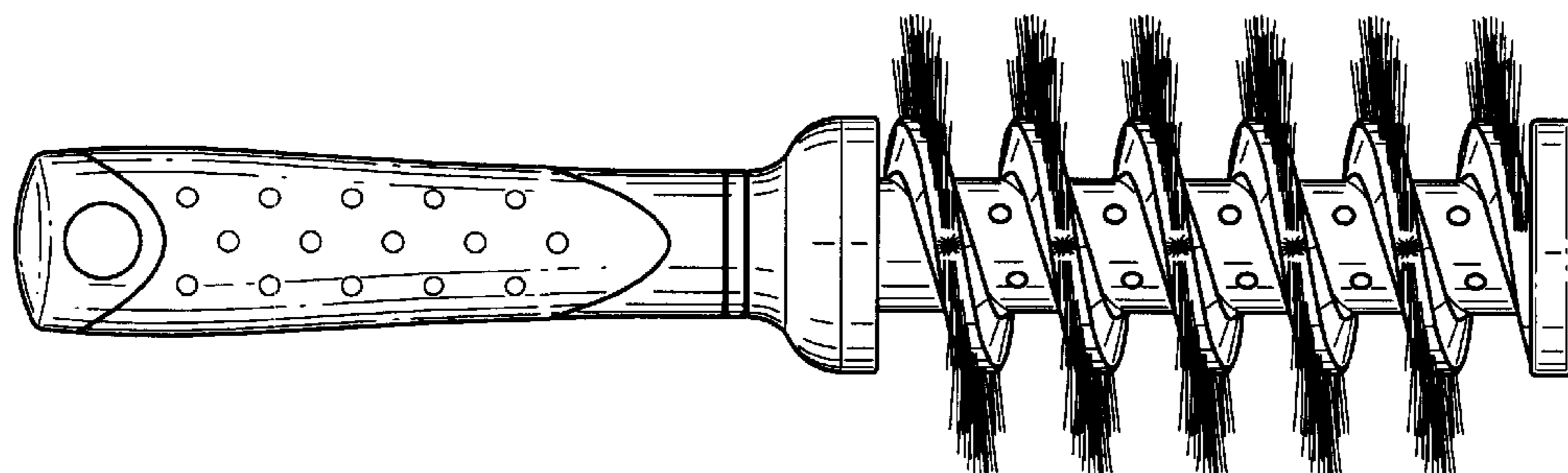
FIG. 4 is a right side view thereof;

FIG. 5 is a left side view thereof;

FIG. 6 is a bottom view thereof; and,

FIG. 7 is a top view.

1 Claim, 2 Drawing Sheets



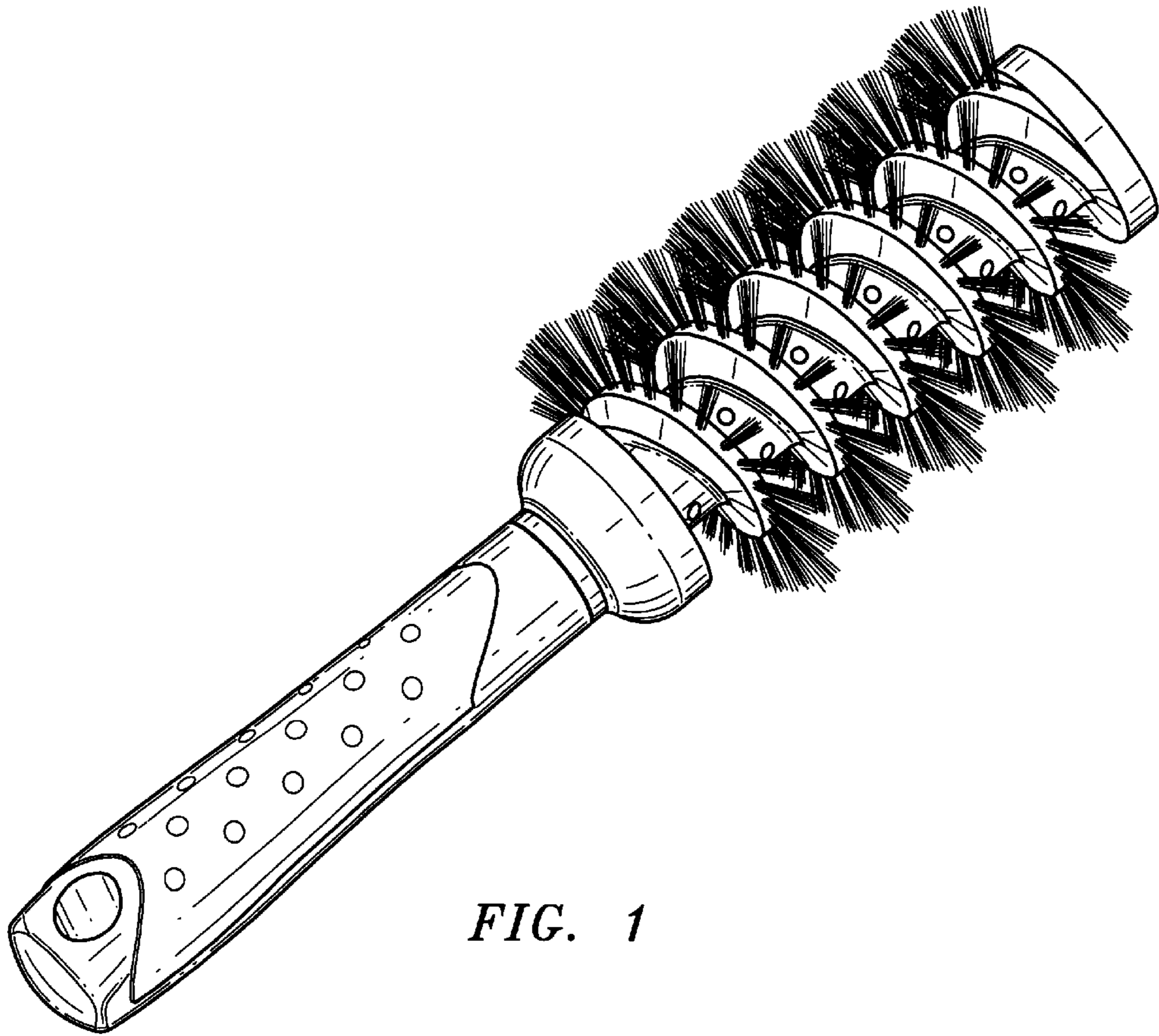


FIG. 1

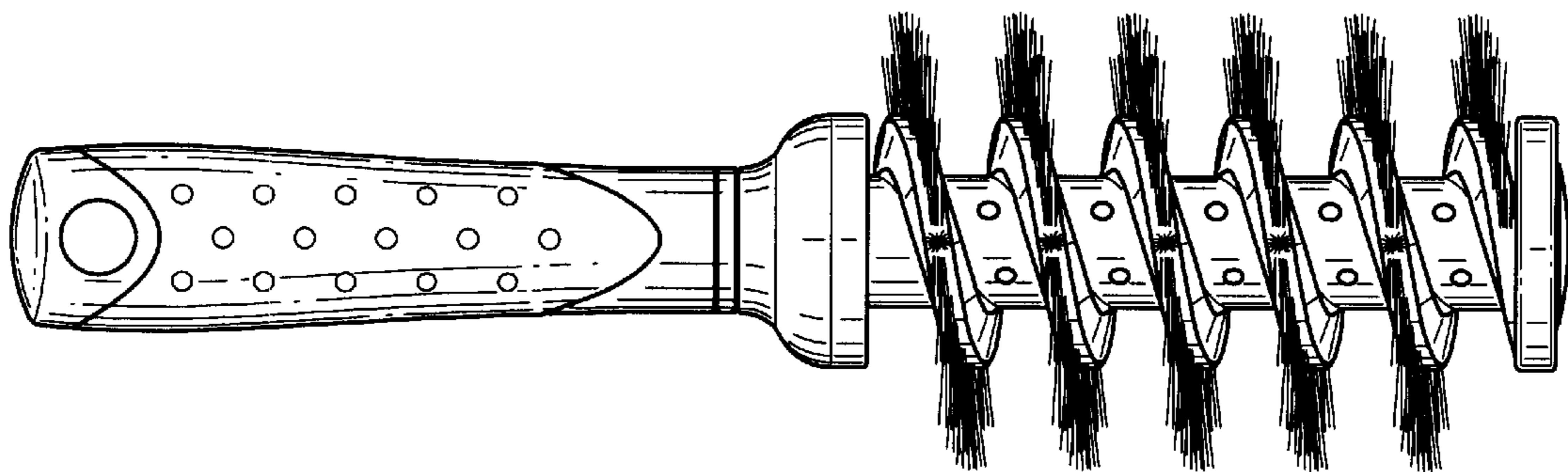


FIG. 2

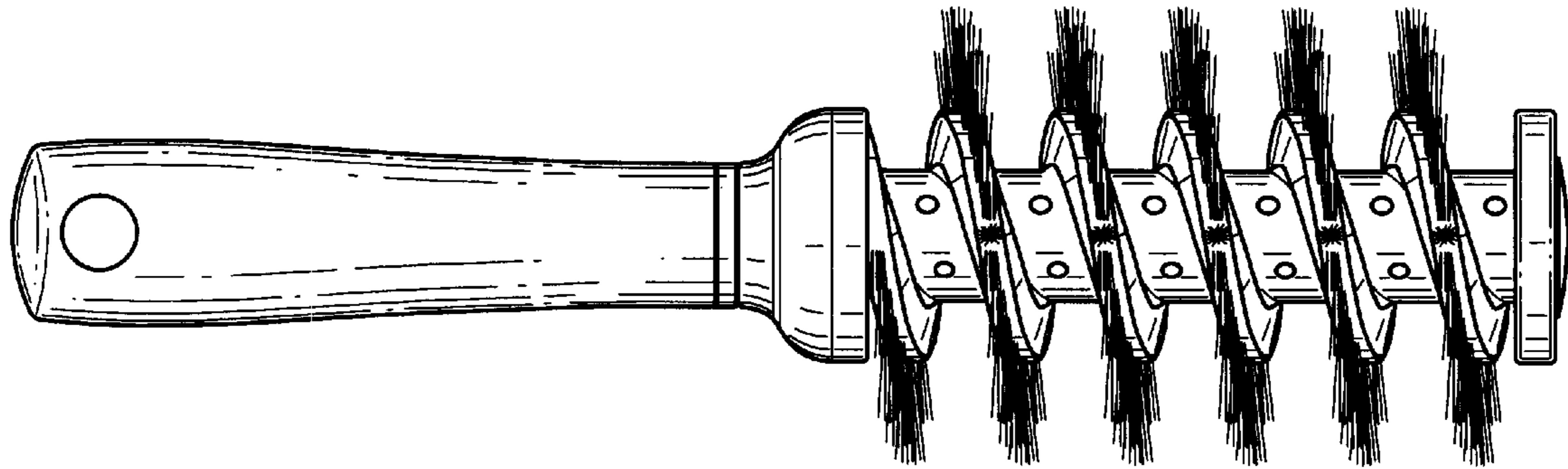


FIG. 3

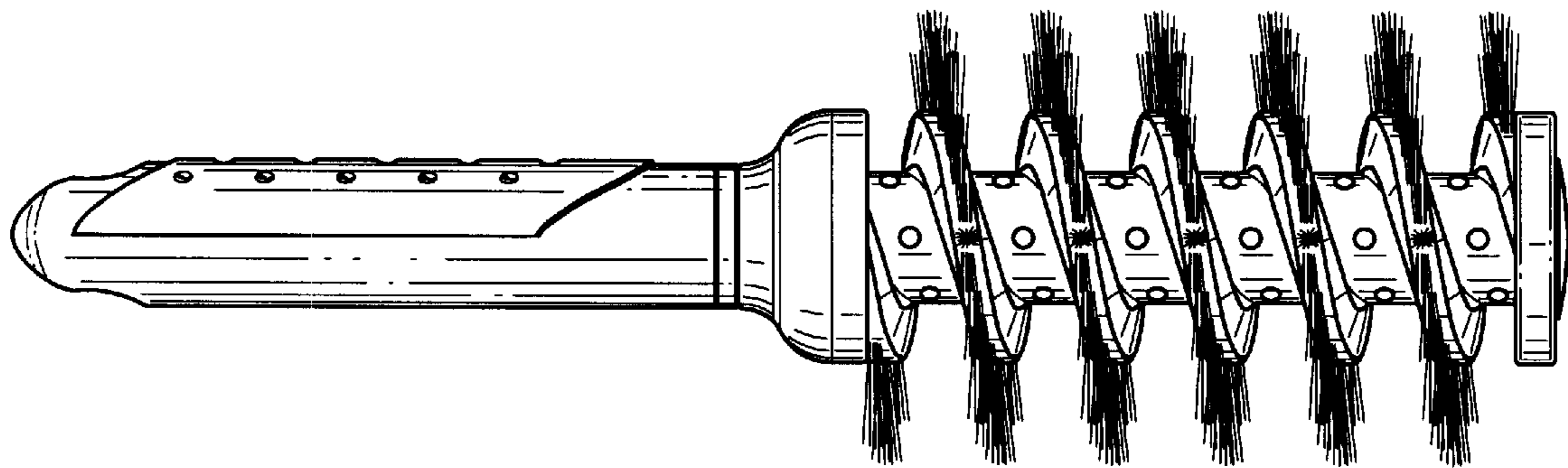


FIG. 4

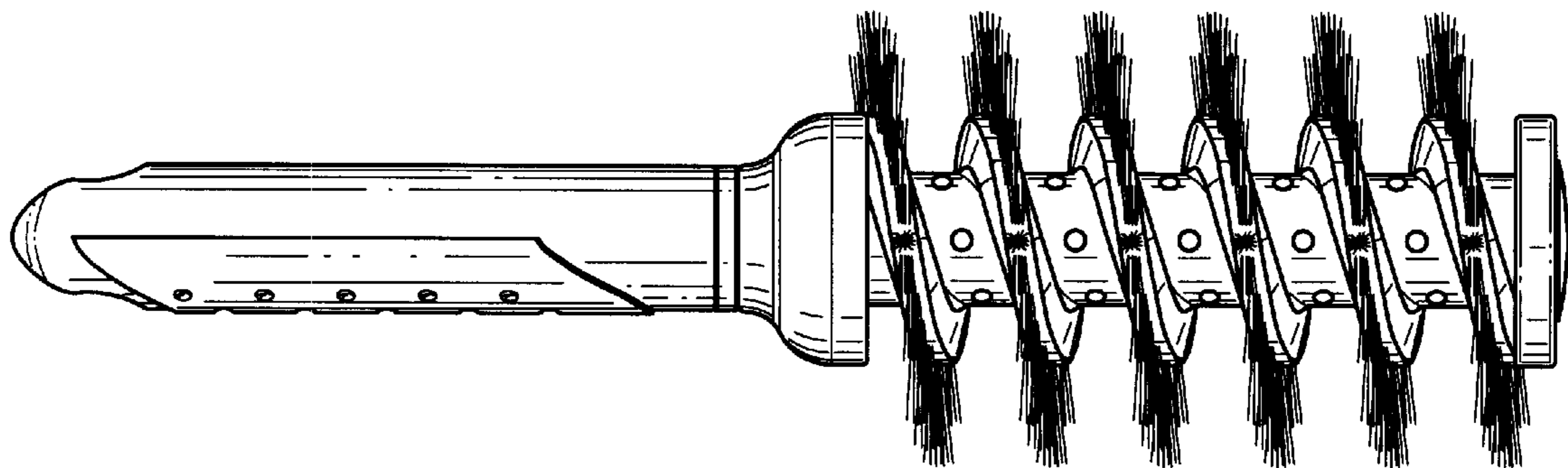


FIG. 5

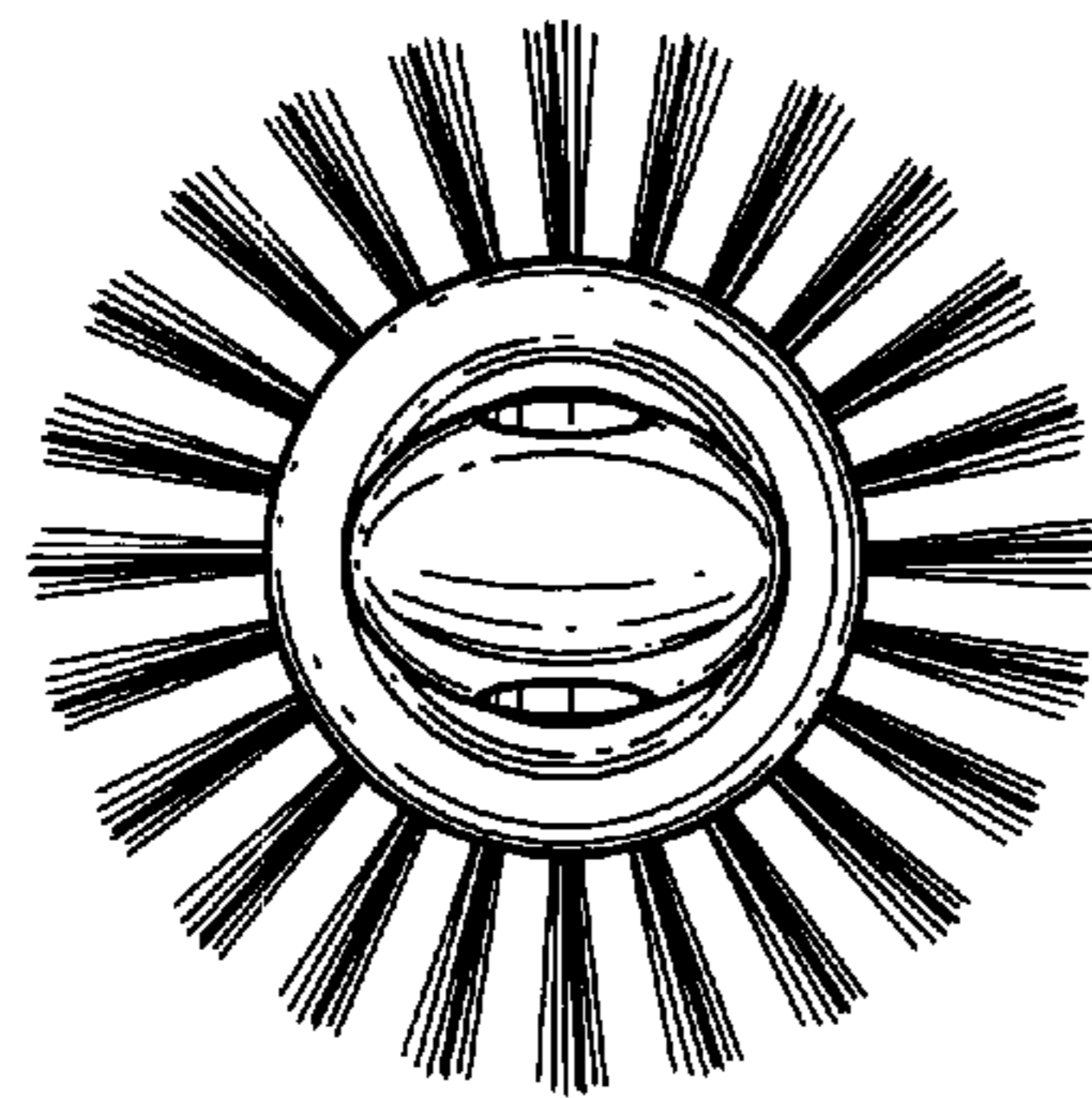


FIG. 6

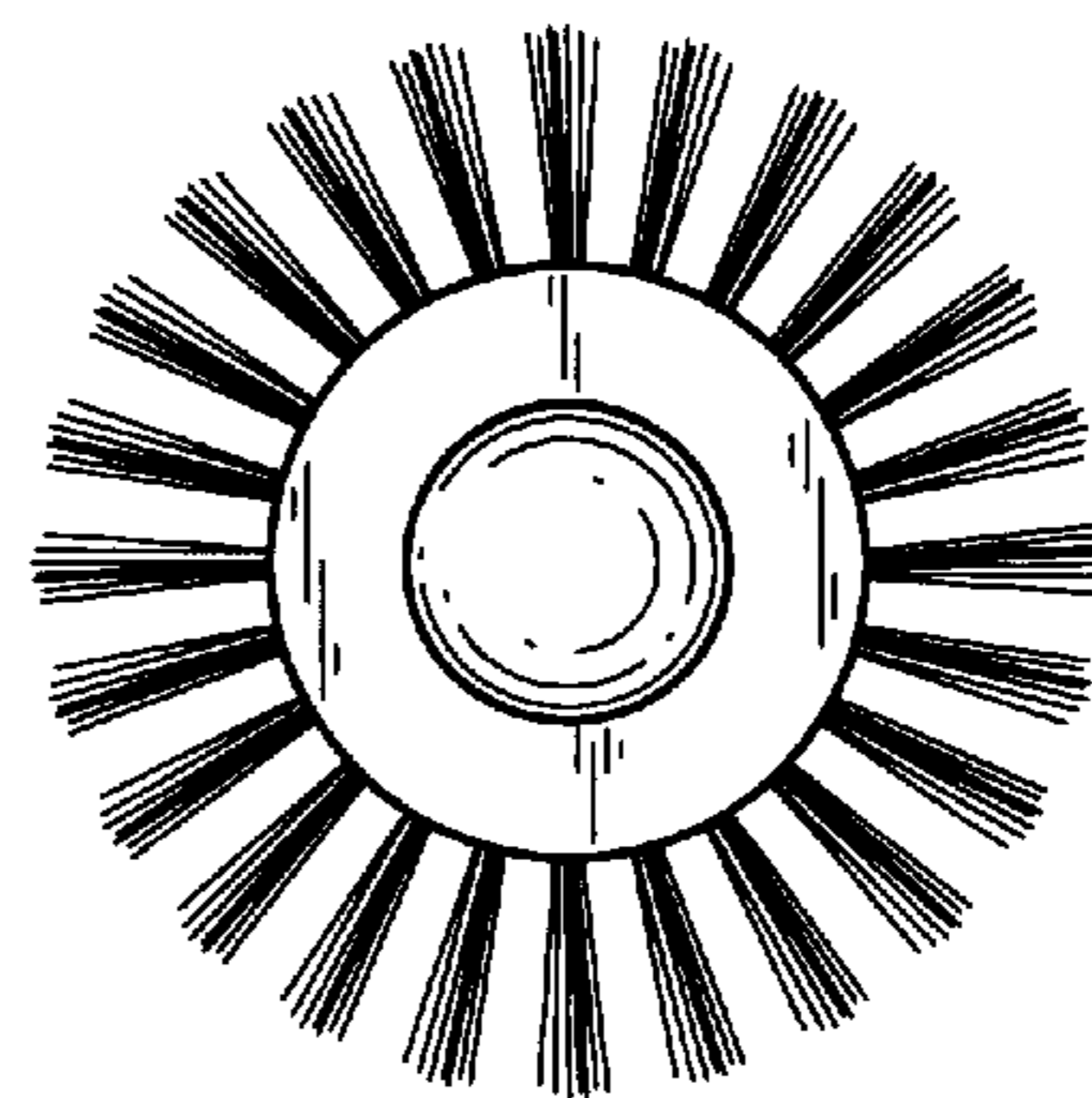


FIG. 7