



US00D539544S

(12) **United States Design Patent**  
**Rosa et al.**

(10) **Patent No.:** **US D539,544 S**

(45) **Date of Patent:** **\*\* Apr. 3, 2007**

(54) **CLEANING AND POLISHING HOUSEHOLD APPLIANCE**

(75) Inventors: **Carlo Rosa**, Lecco (IT); **Francesco Curreli**, Prato (IT)

(73) Assignee: **Ariete S.p.A.** (IT)

(\*\*) Term: **14 Years**

(21) Appl. No.: **29/203,269**

(22) Filed: **Apr. 13, 2004**

(30) **Foreign Application Priority Data**

Oct. 17, 2003 (EM) ..... 000089008

(51) **LOC (8) Cl.** ..... **04-02**

(52) **U.S. Cl.** ..... **D4/102; D4/127**

(58) **Field of Classification Search** ..... D4/100, D4/102, 127, 132, 137, 138, 121; 15/21.1, 15/22.1, 28, 29, 97.1, 97.2, 98, 230, 244.1; 451/353, 359, 548; D8/61, 62; D32/1, 17, D32/51

See application file for complete search history.

(56) **References Cited**

**U.S. PATENT DOCUMENTS**

- 691,740 A \* 1/1902 Birkenstock ..... 451/358
- D332,734 S \* 1/1993 Fushiya et al. .... D4/102
- 5,881,418 A \* 3/1999 Enoch ..... 15/29 X
- 5,960,503 A \* 10/1999 Del Pozo Y Mattei ..... 15/29

- 5,964,003 A \* 10/1999 Rogers ..... 15/98
- D417,789 S \* 12/1999 Murphy et al. .... D4/102
- D432,744 S \* 10/2000 Schuda et al. .... D8/61 X
- D433,610 S \* 11/2000 Heinrichs et al. .... D8/61
- 6,789,287 B2 \* 9/2004 Calabrese ..... 15/97.1

\* cited by examiner

*Primary Examiner*—Alan P. Douglas

*Assistant Examiner*—Lavone D. Tabor

(74) *Attorney, Agent, or Firm*—Stites & Harbison PLLC; Marvin Petry

(57) **CLAIM**

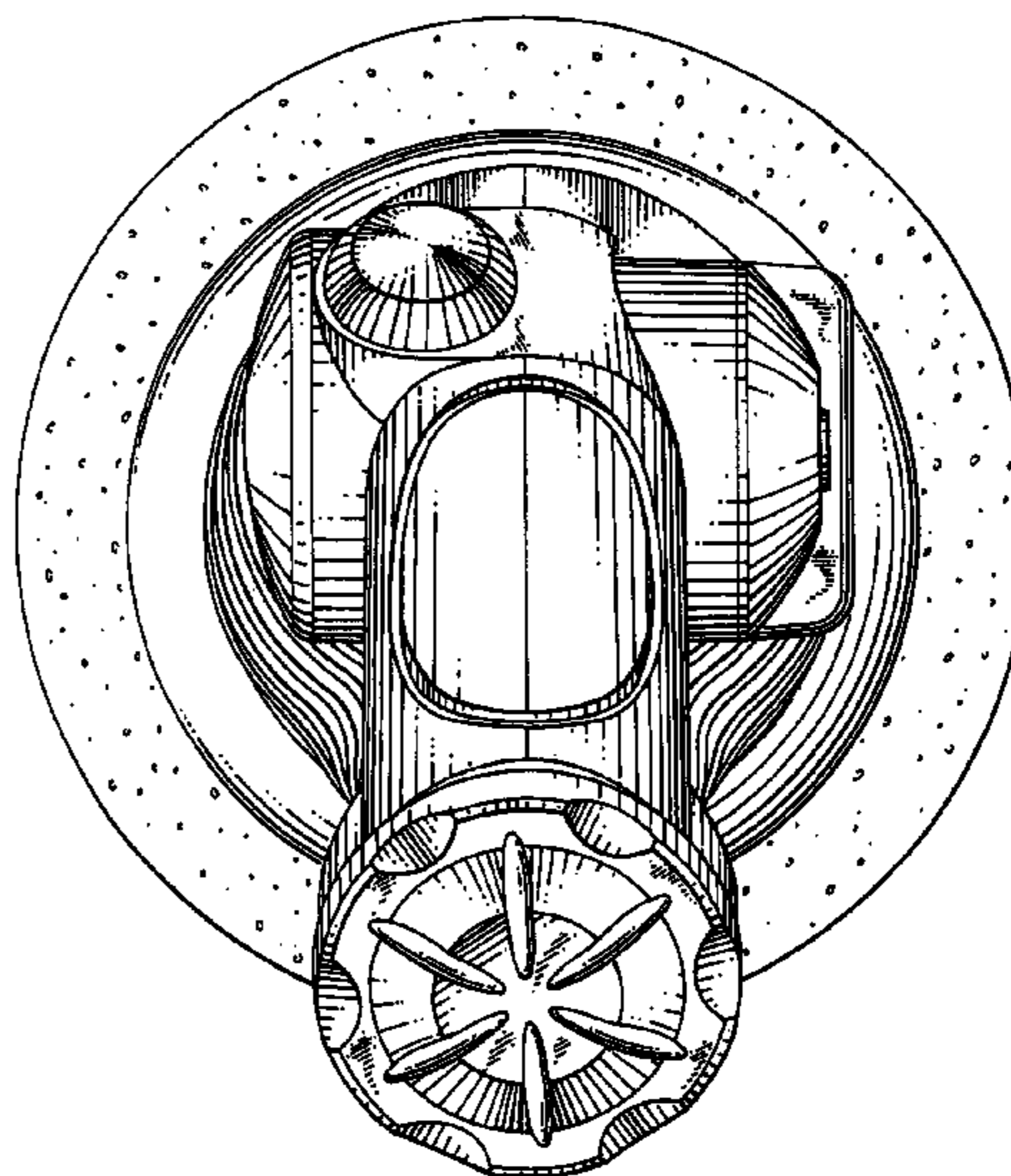
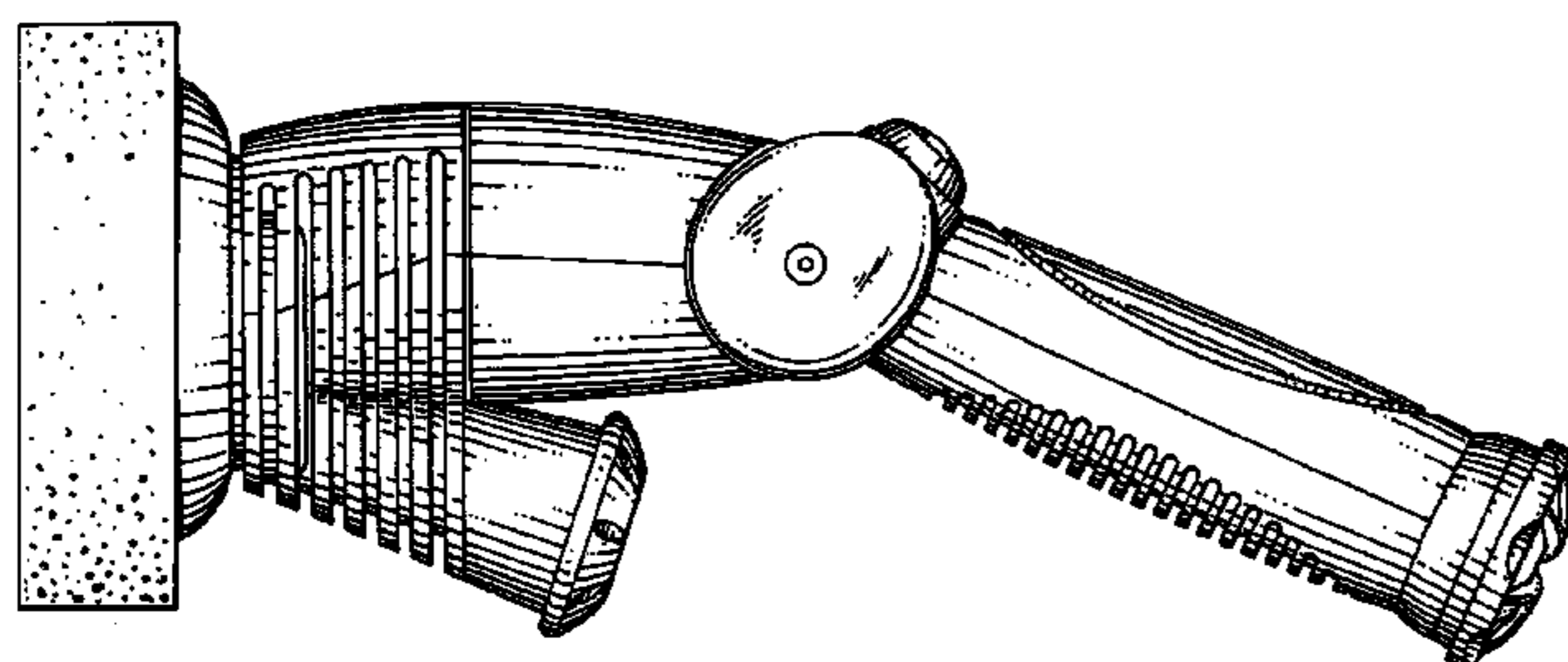
The ornamental design for a cleaning and polishing household appliance, as shown and described.

**DESCRIPTION**

FIG. 1 is a right-side elevational view of the cleaning and polishing appliance showing our new design, FIG. 2 is a left-side elevational view thereof; FIG. 3 is an enlarged front elevational view thereof; FIG. 4 is an enlarged rear elevational view thereof; FIG. 5 is a top plan view thereof; and, FIG. 6 is a bottom plan view thereof.

The continuous broken line immediately adjacent the surface shading represents the bounds of the claimed design and forms no part thereof. The broken line showing of the concentric surfaces is included for the purpose of illustrating portions of the appliance that form no part of the claimed design.

**1 Claim, 6 Drawing Sheets**



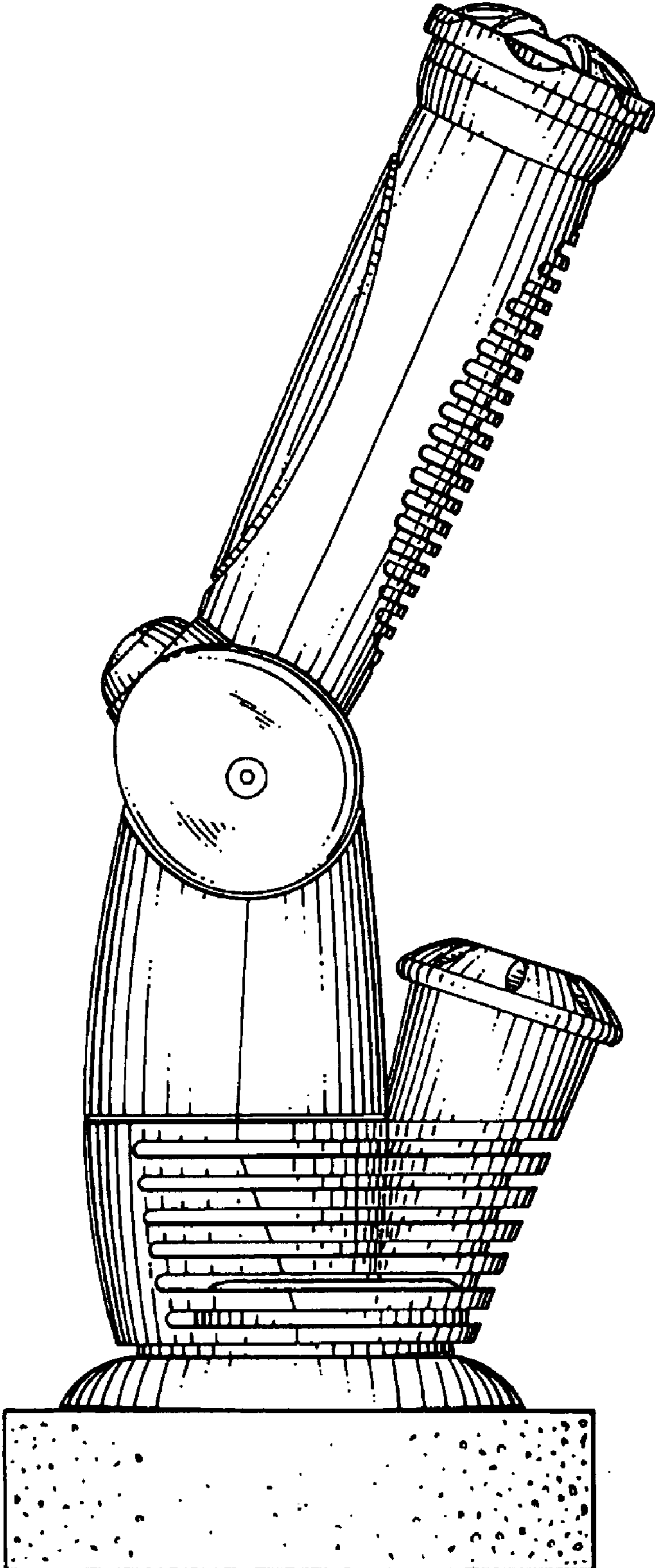


Fig. 1

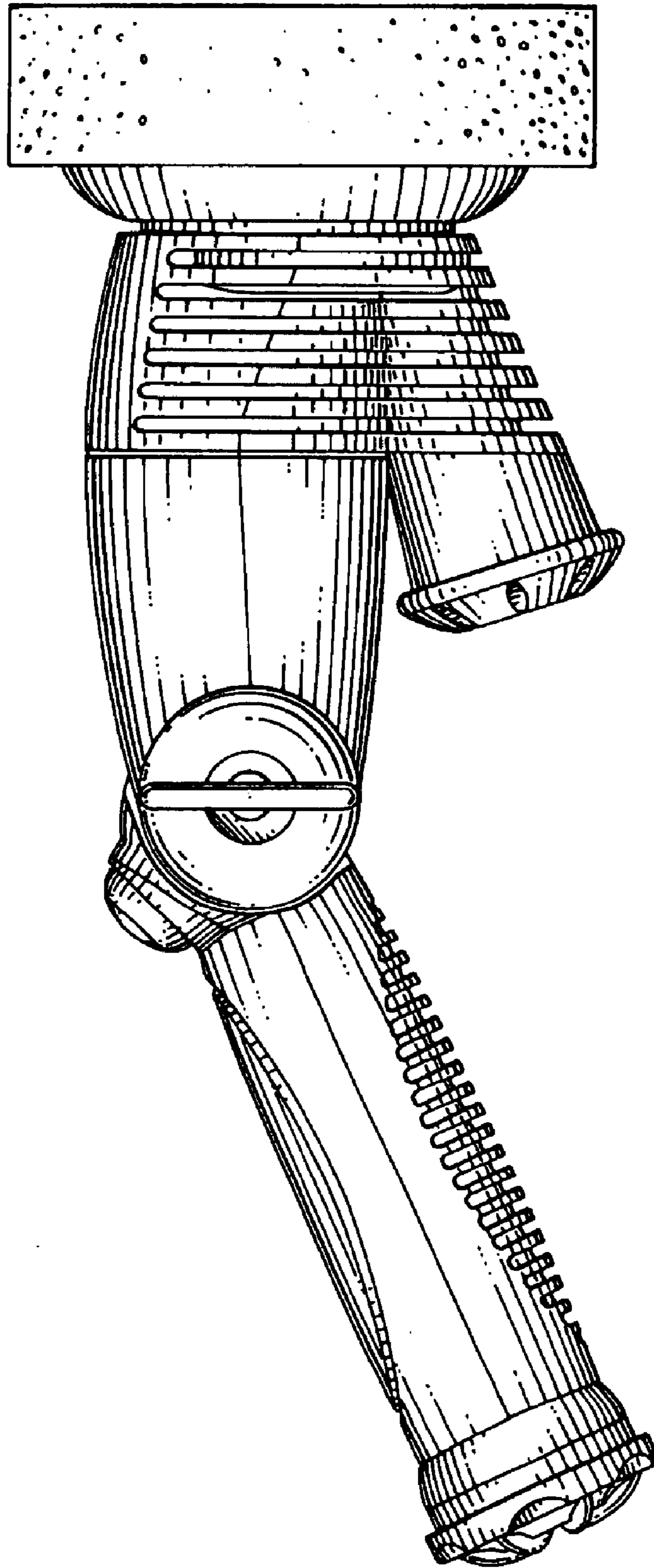
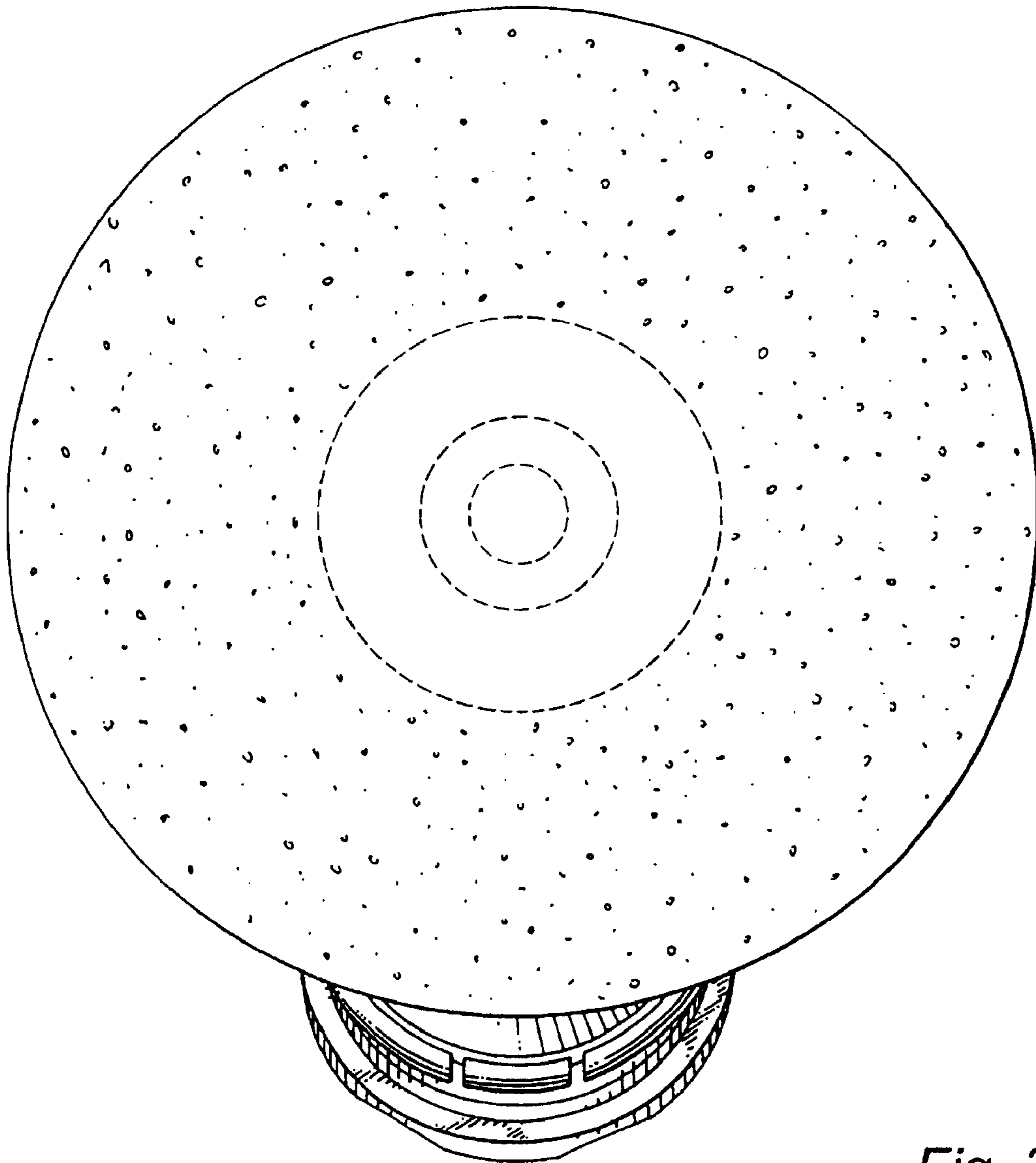


Fig. 2



*Fig. 3*



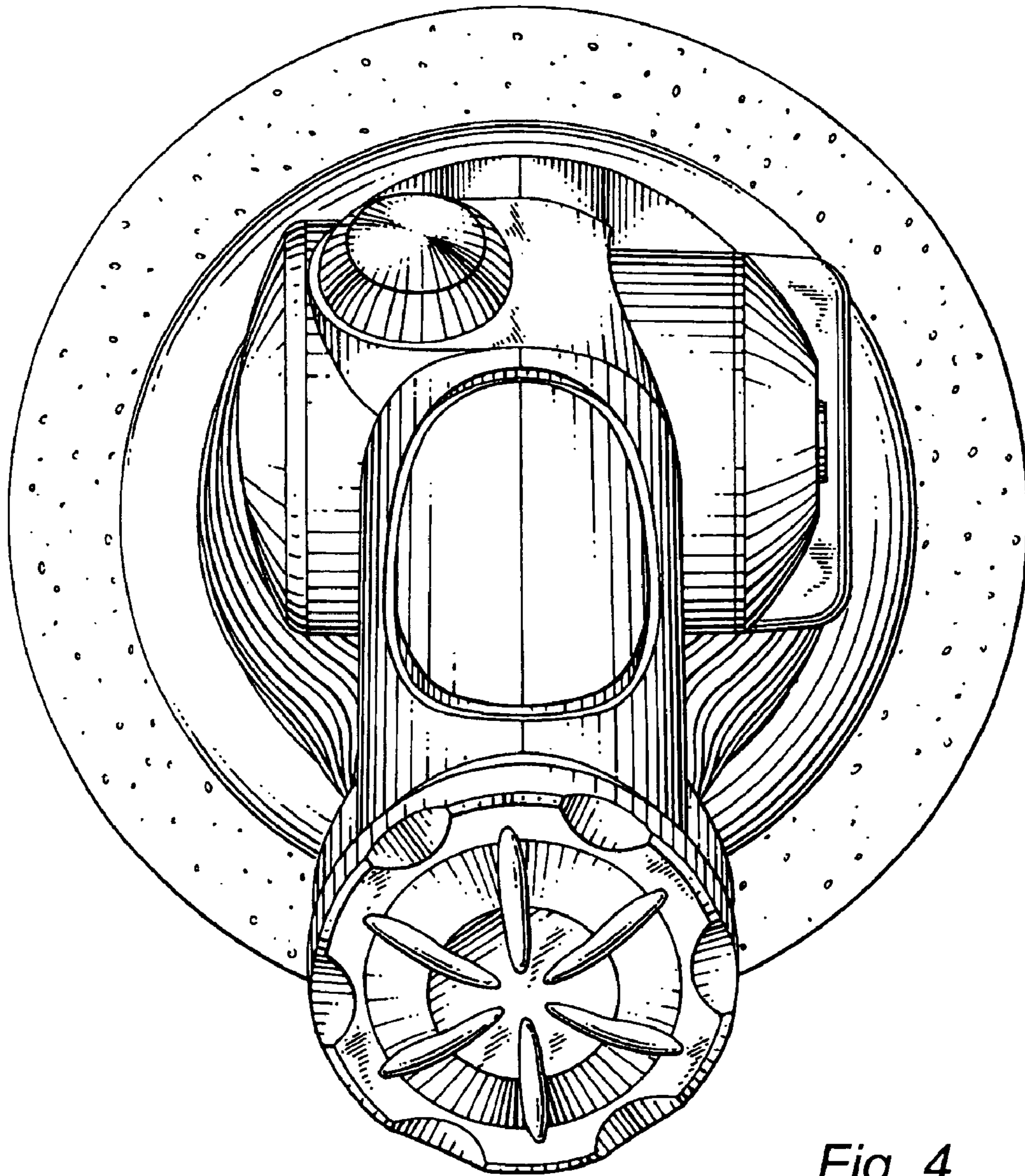


Fig. 4

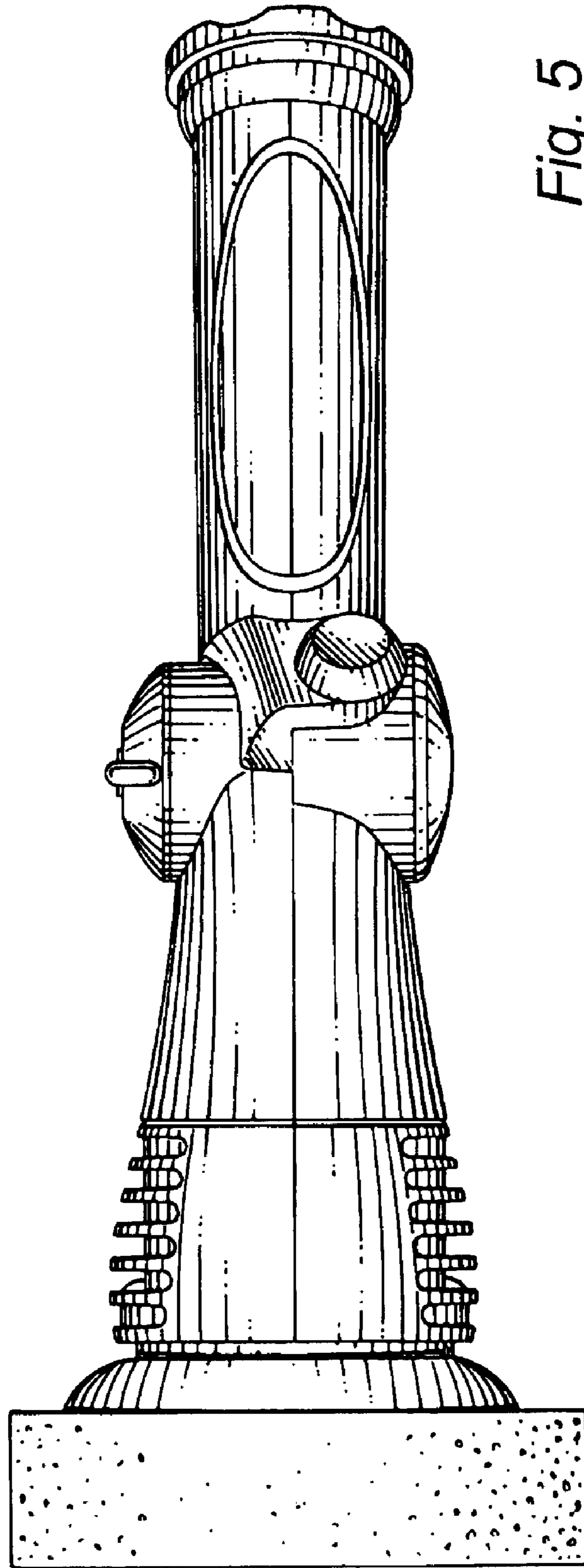


Fig. 5

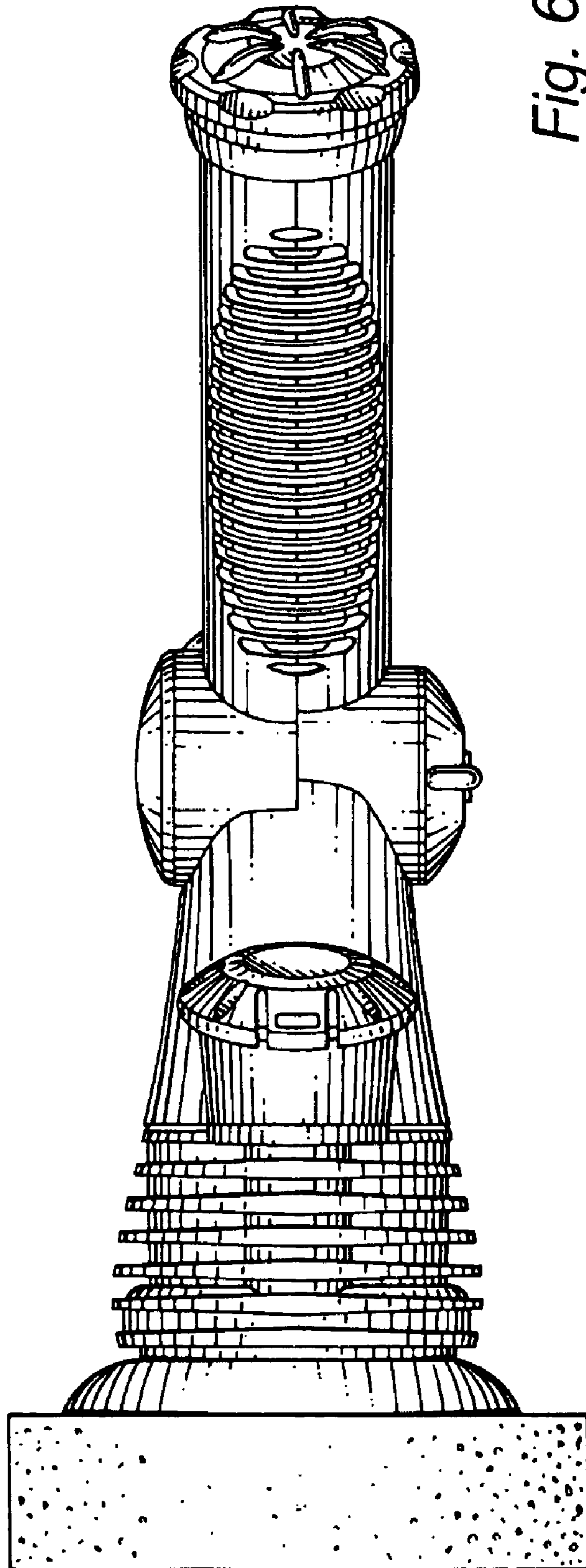


Fig. 6