



US00D539543S

(12) **United States Design Patent**
Wu

(10) **Patent No.:** **US D539,543 S**

(45) **Date of Patent:** **** Apr. 3, 2007**

(54) **LUGGAGE WHEEL HOUSING**

(75) Inventor: **Chen-Chuan Wu**, Hsin Chuang (TW)

(73) Assignee: **Hersun Plastic Co., Ltd.**, Taipei (TW)

(**) Term: **14 Years**

(21) Appl. No.: **29/247,387**

(22) Filed: **Jun. 14, 2006**

(51) **LOC (8) Cl.** **03-01**

(52) **U.S. Cl.** **D3/318**

(58) **Field of Classification Search** D3/318,
D3/321, 279; D8/375; D34/12, 14, 23, 27;
16/18 R, 45; 190/18 A, 150; 280/37, 47.24,
280/47.26, 47.315; 301/120, 125, 111.01,
301/111.05

See application file for complete search history.

(56) **References Cited**

U.S. PATENT DOCUMENTS

D375,202 S * 11/1996 Vermillion et al. D3/318
D421,338 S * 3/2000 Moon D3/318

D434,904 S * 12/2000 Huang D3/318
6,167,994 B1 * 1/2001 Kuo et al. 190/18 A
6,354,412 B1 * 3/2002 Kuo 190/18 A
D513,560 S * 1/2006 Neumann D3/318

* cited by examiner

Primary Examiner—Louis S. Zarfaz

Assistant Examiner—Monica A. Weingart

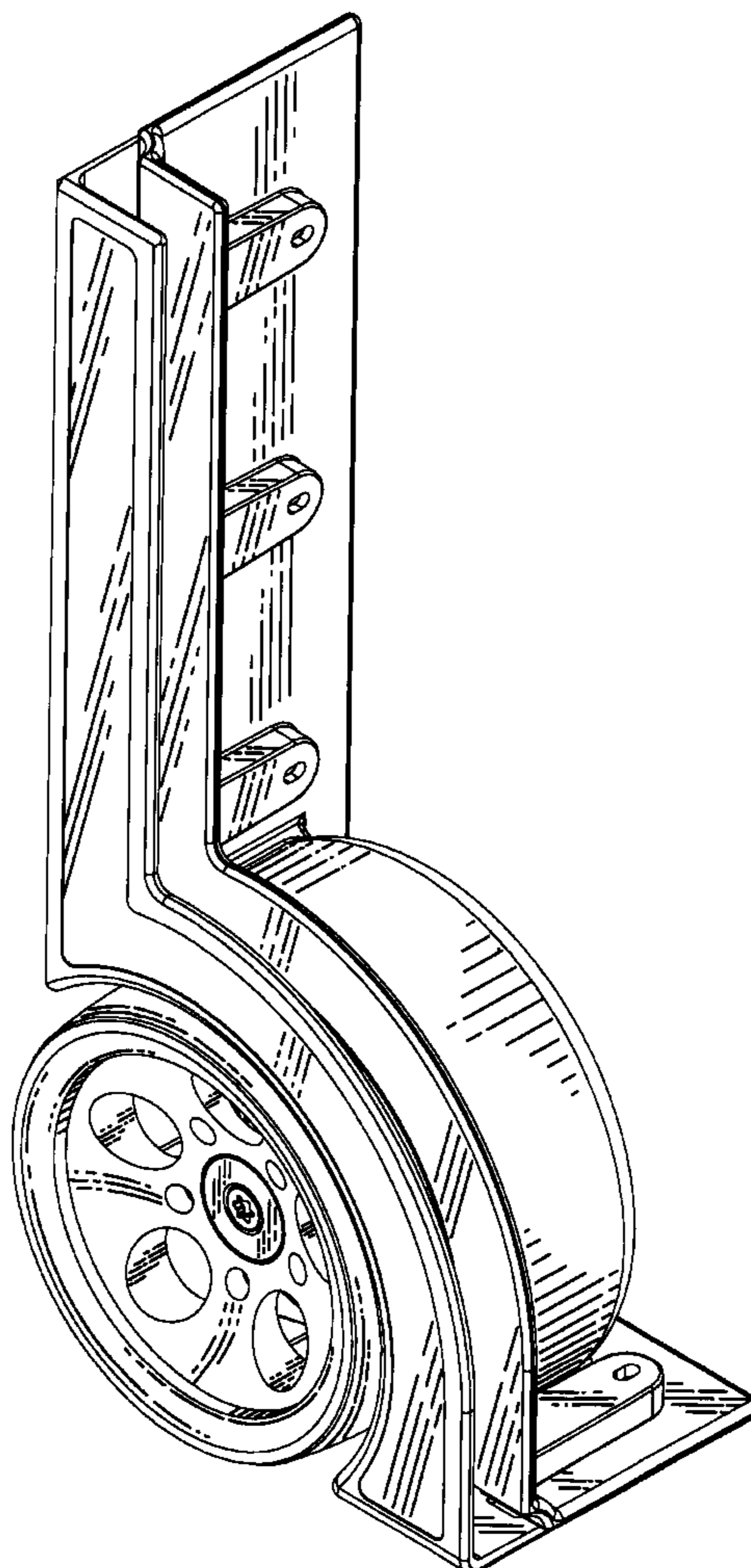
(57) **CLAIM**

The ornamental design for a luggage wheel housing, as shown and described.

DESCRIPTION

FIG. 1 is a perspective view of a luggage wheel housing showing the new design;
FIG. 2 is a front view thereof;
FIG. 3 is a rear view thereof;
FIG. 4 is a left side elevational view thereof;
FIG. 5 is a right side elevational view thereof;
FIG. 6 is a top view thereof; and,
FIG. 7 is a bottom view thereof.

1 Claim, 6 Drawing Sheets



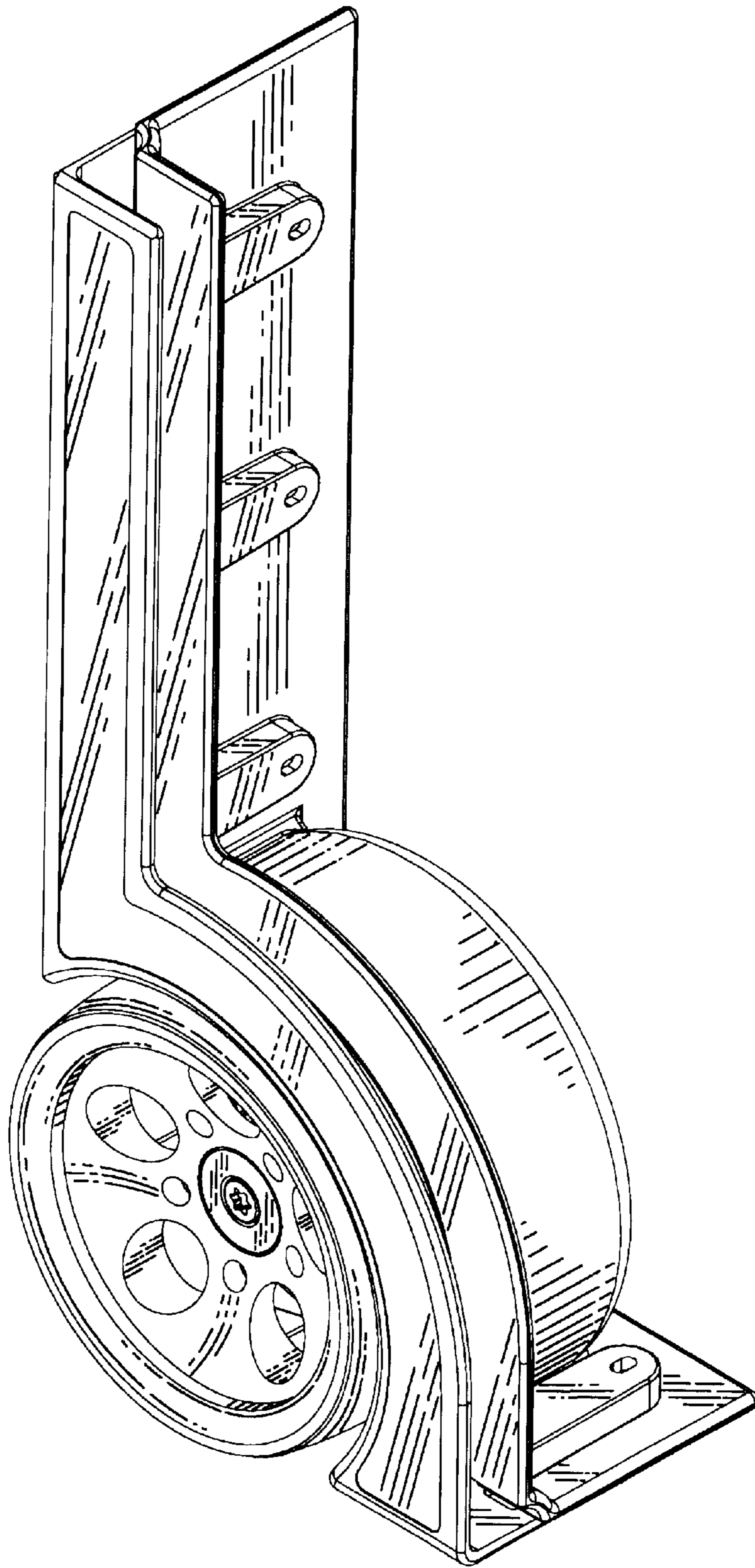


Fig. 1

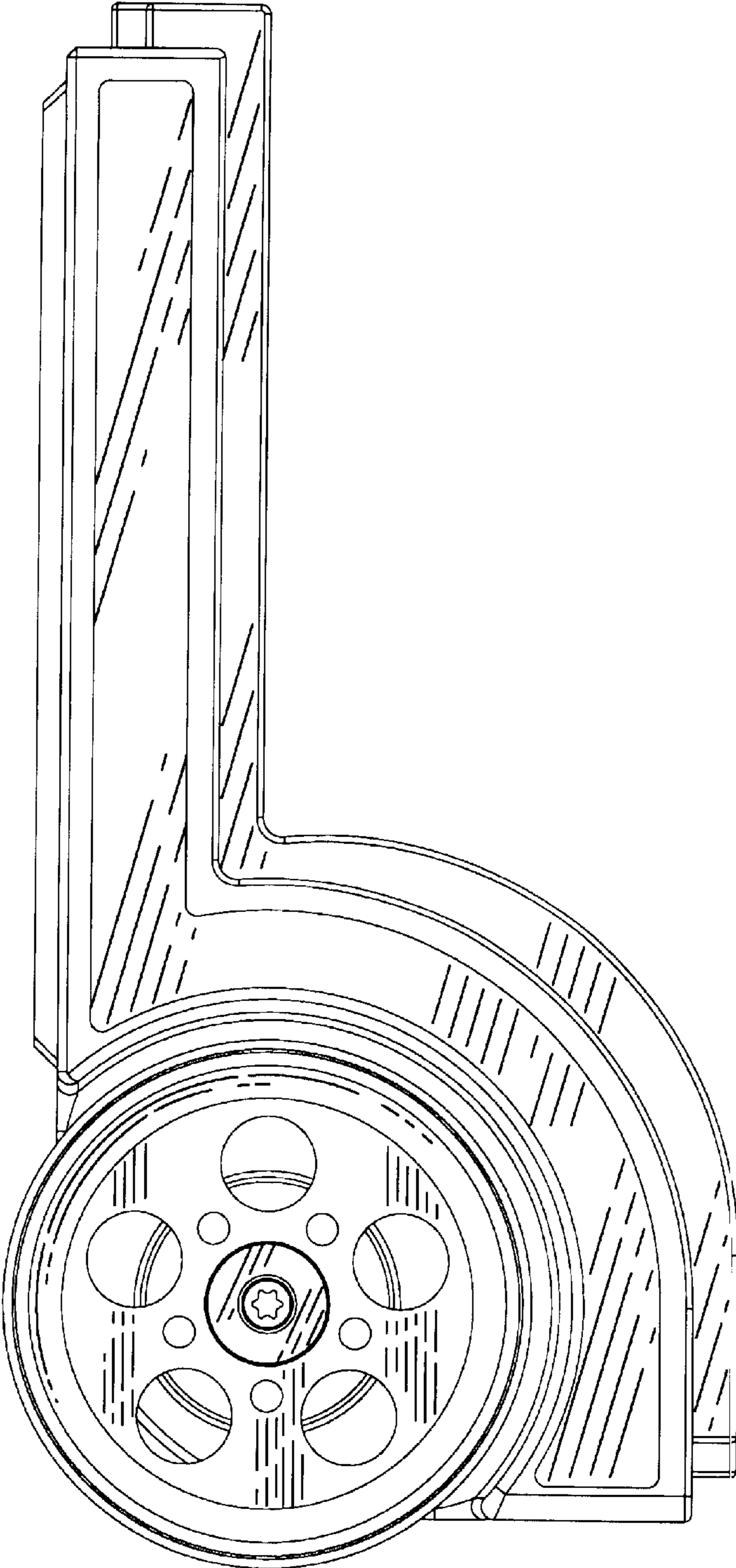


Fig. 2

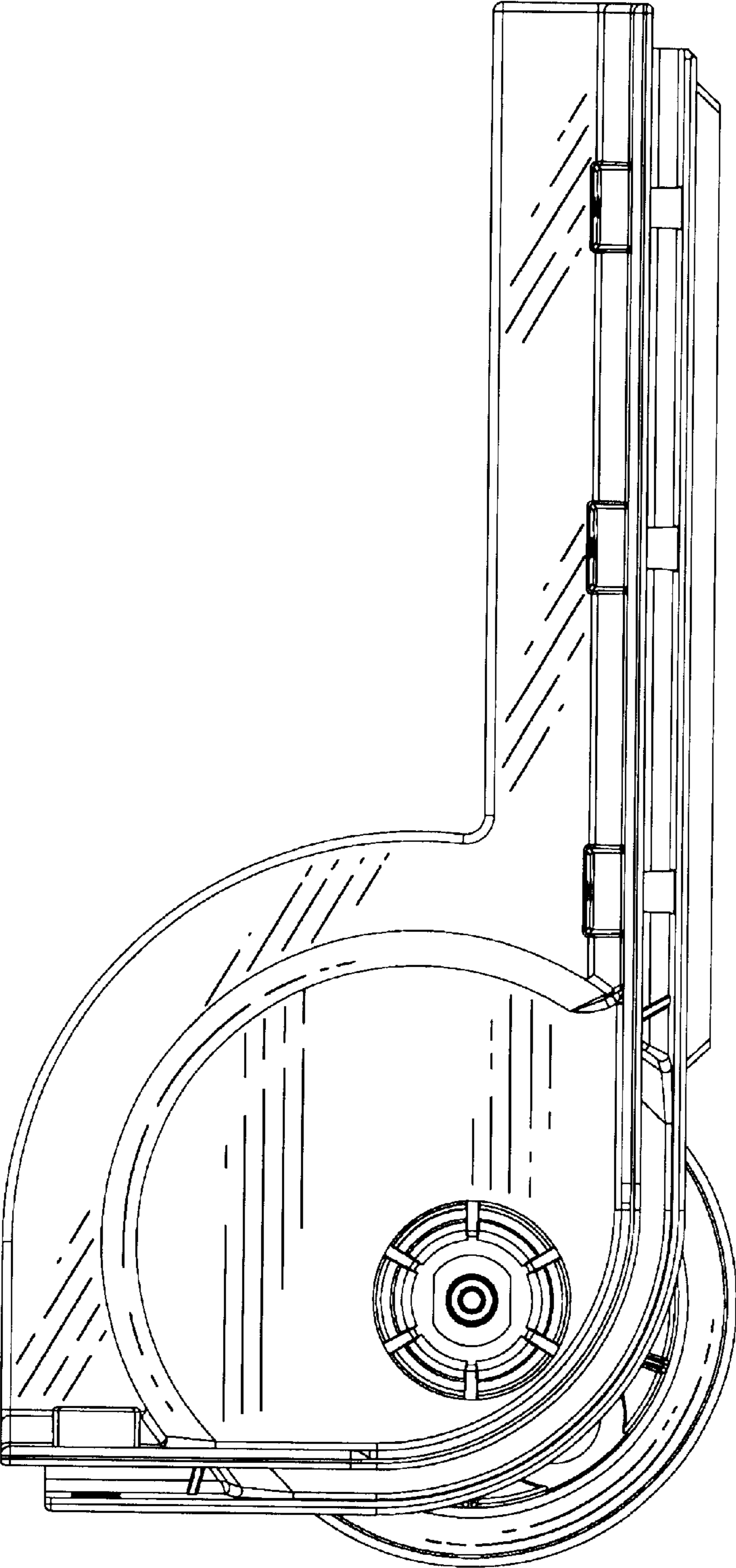


Fig. 3

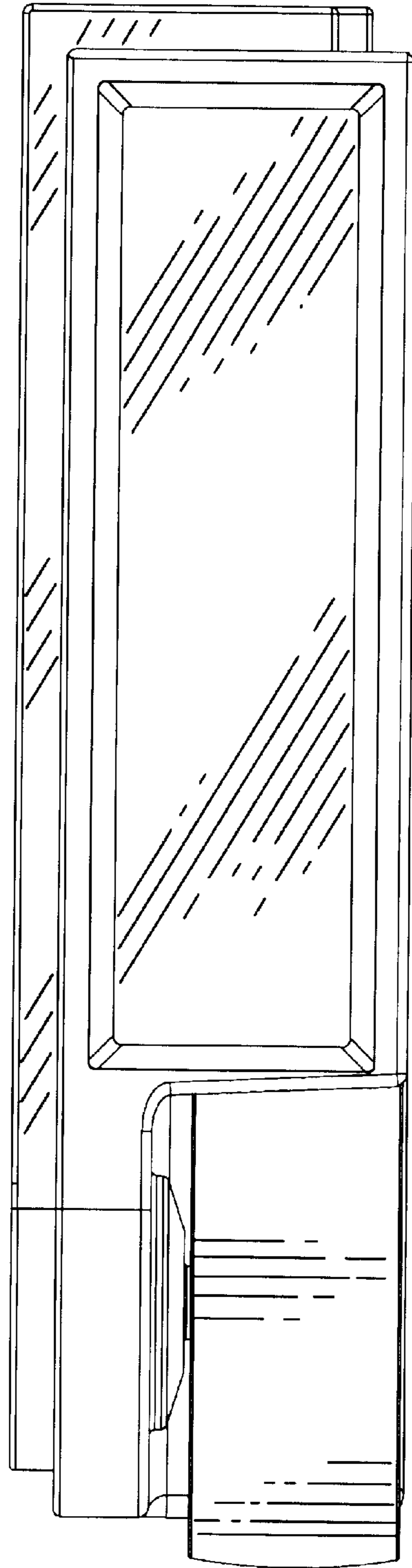


Fig. 4

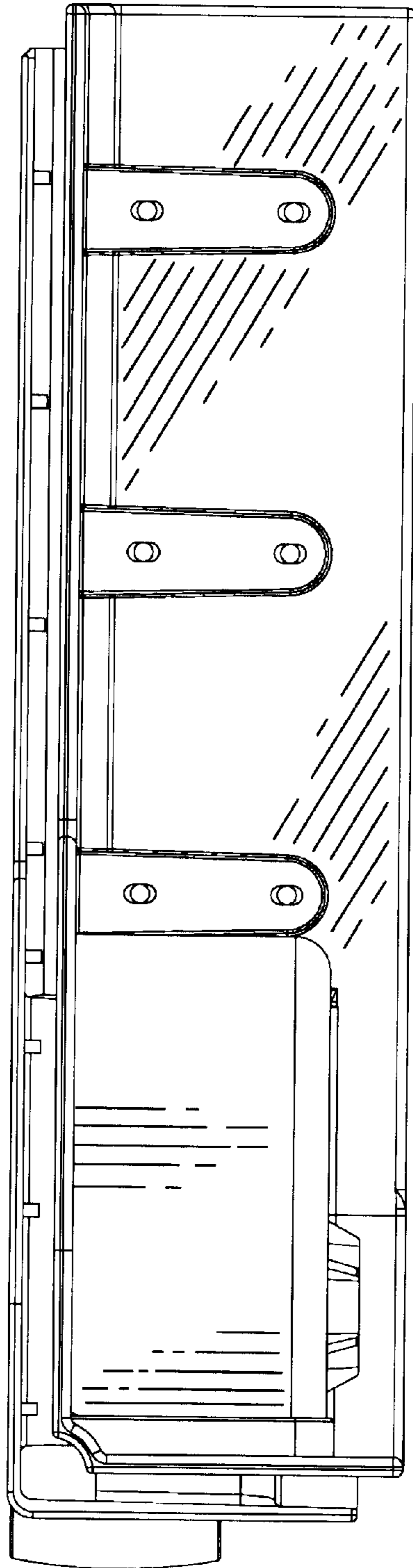


Fig. 5

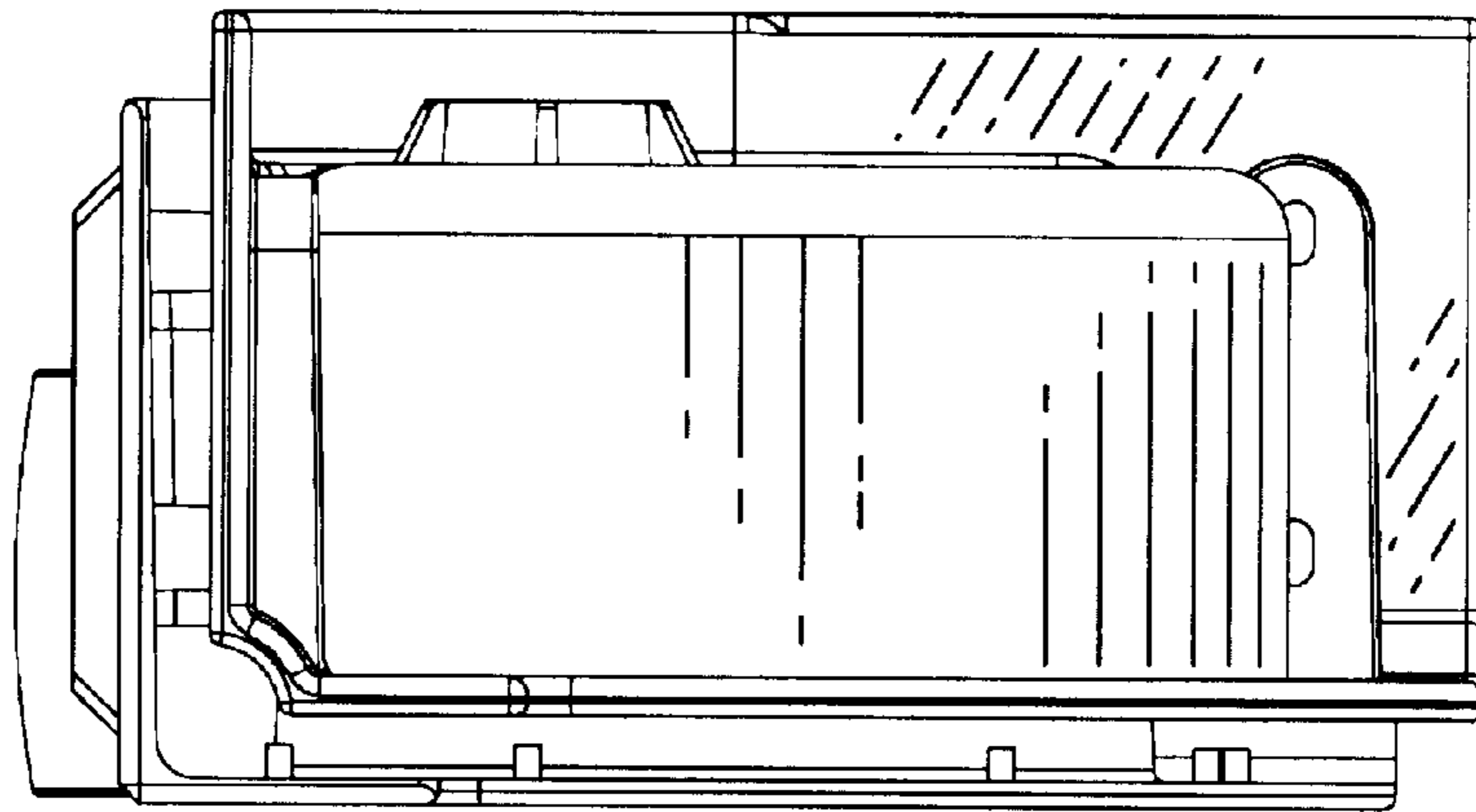


Fig. 6

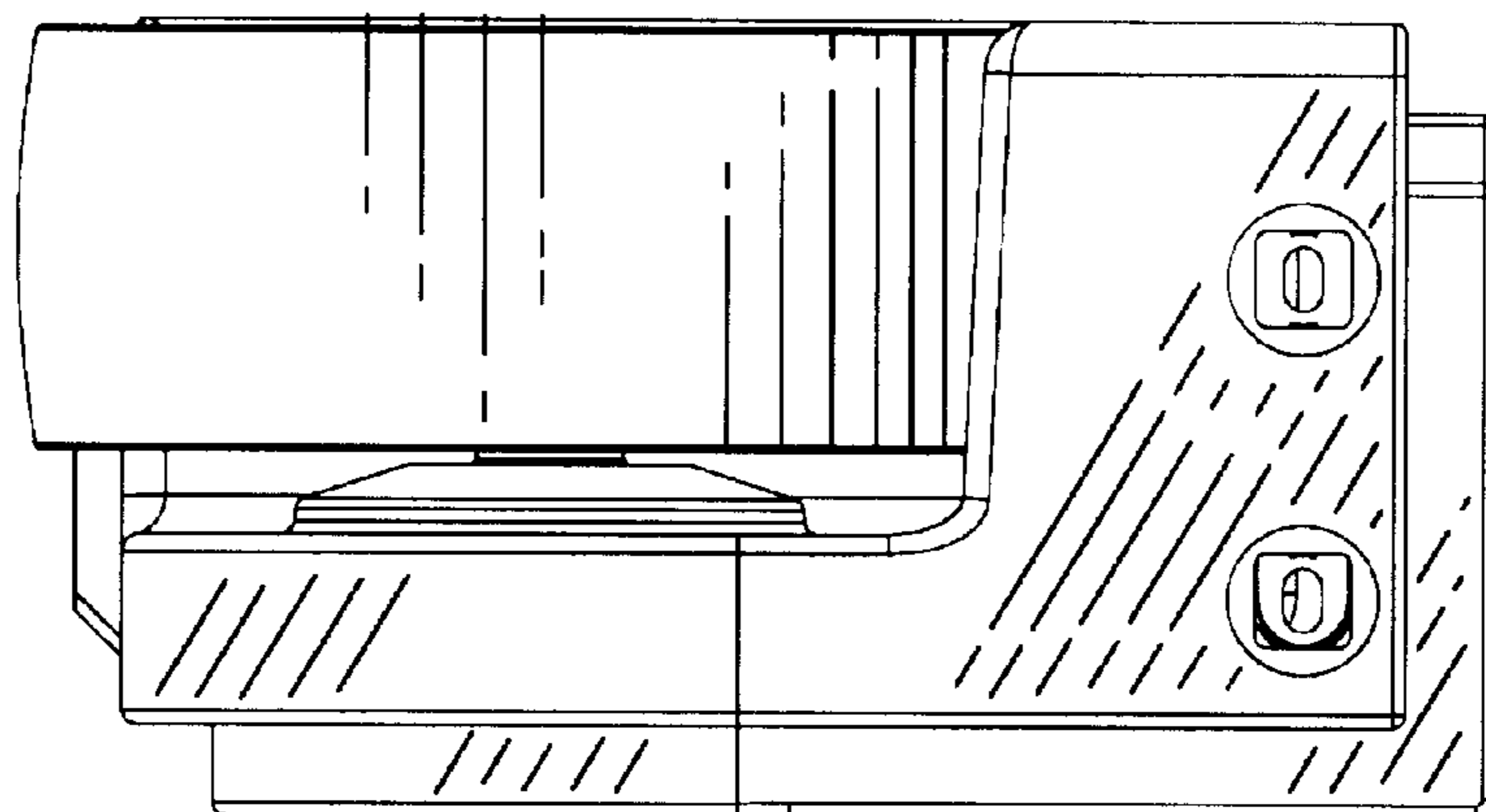


Fig. 7