



US00D539539S

(12) **United States Design Patent**
Braden

(10) **Patent No.:** **US D539,539 S**

(45) **Date of Patent:** **** Apr. 3, 2007**

(54) **CONTAINER FOR BUNGEE CORDS**

(76) **Inventor:** **Ricky G. Braden**, 7472 Carson Dr.,
Baskett, KY (US) 42402

(**) **Term:** **14 Years**

(21) **Appl. No.:** **29/237,431**

(22) **Filed:** **Sep. 1, 2005**

(51) **LOC (8) Cl.** **03-01**

(52) **U.S. Cl.** **D3/282; D3/294**

(58) **Field of Classification Search** D3/272,
D3/273, 294, 295, 281, 282, 905, 254, 201;
D9/423, 424; 206/315.1; 312/902
See application file for complete search history.

(56) **References Cited**

U.S. PATENT DOCUMENTS

D249,825 S	*	10/1978	Hasulak	D3/282
4,522,326 A		6/1985	Tuohy, III		
5,263,757 A		11/1993	Reed		
D343,063 S	*	1/1994	Chen	D3/282
D351,504 S	*	10/1994	Tarozzi	D3/276
D351,727 S	*	10/1994	Tarozzi	D3/276
D352,496 S		11/1994	Gower		
D358,257 S	*	5/1995	Sidabras et al.	D3/282
5,419,476 A		5/1995	White		
6,026,999 A		2/2000	Wakefield		

6,199,412 B1		3/2001	Kennedy		
6,349,865 B1		2/2002	Tolley et al.		
D458,751 S	*	6/2002	Hsieh	D3/294
D468,688 S	*	1/2003	Helman	D13/119

* cited by examiner

Primary Examiner—Philip S. Hyder

(74) *Attorney, Agent, or Firm*—Donald R. Schoonover

(57) **CLAIM**

I claim the ornamental design for a container for bungee cords, as shown and described.

DESCRIPTION

FIG. 1 is a perspective view of a container for bungee cords showing my new design;
FIG. 2 is a bottom plan view thereof;
FIG. 3 is a top plan view thereof;
FIG. 4 is a front elevational view thereof;
FIG. 5 is a side elevational view thereof; the elevational view of the opposing side being a mirror image thereof;
FIG. 6 is a rear elevational view thereof; and,
FIG. 7 is a perspective view showing the container for bungee cords in use; the broken lines depict environmental structure for illustrative purposes only and form no part of the claimed design.

1 Claim, 2 Drawing Sheets

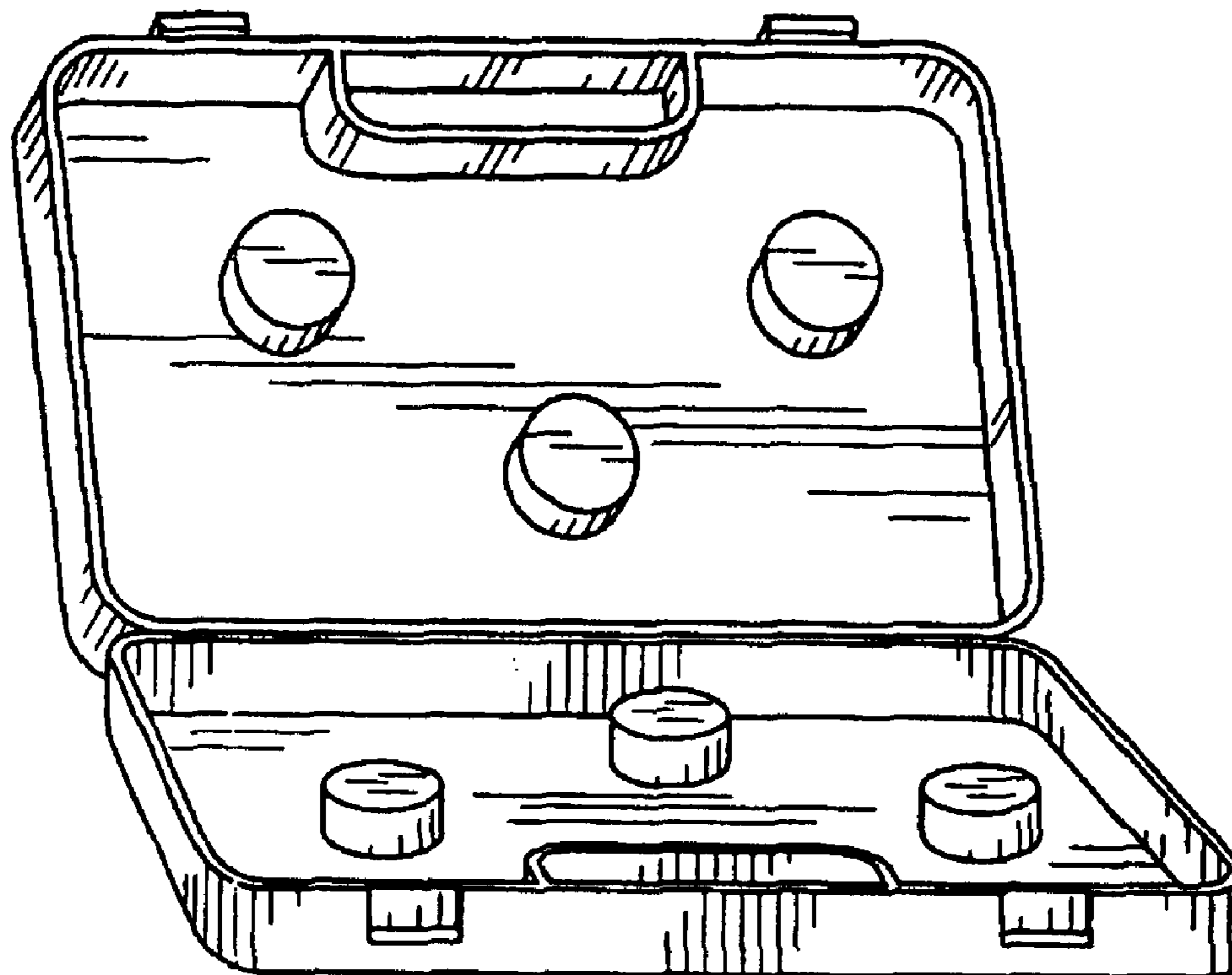


Fig. 1

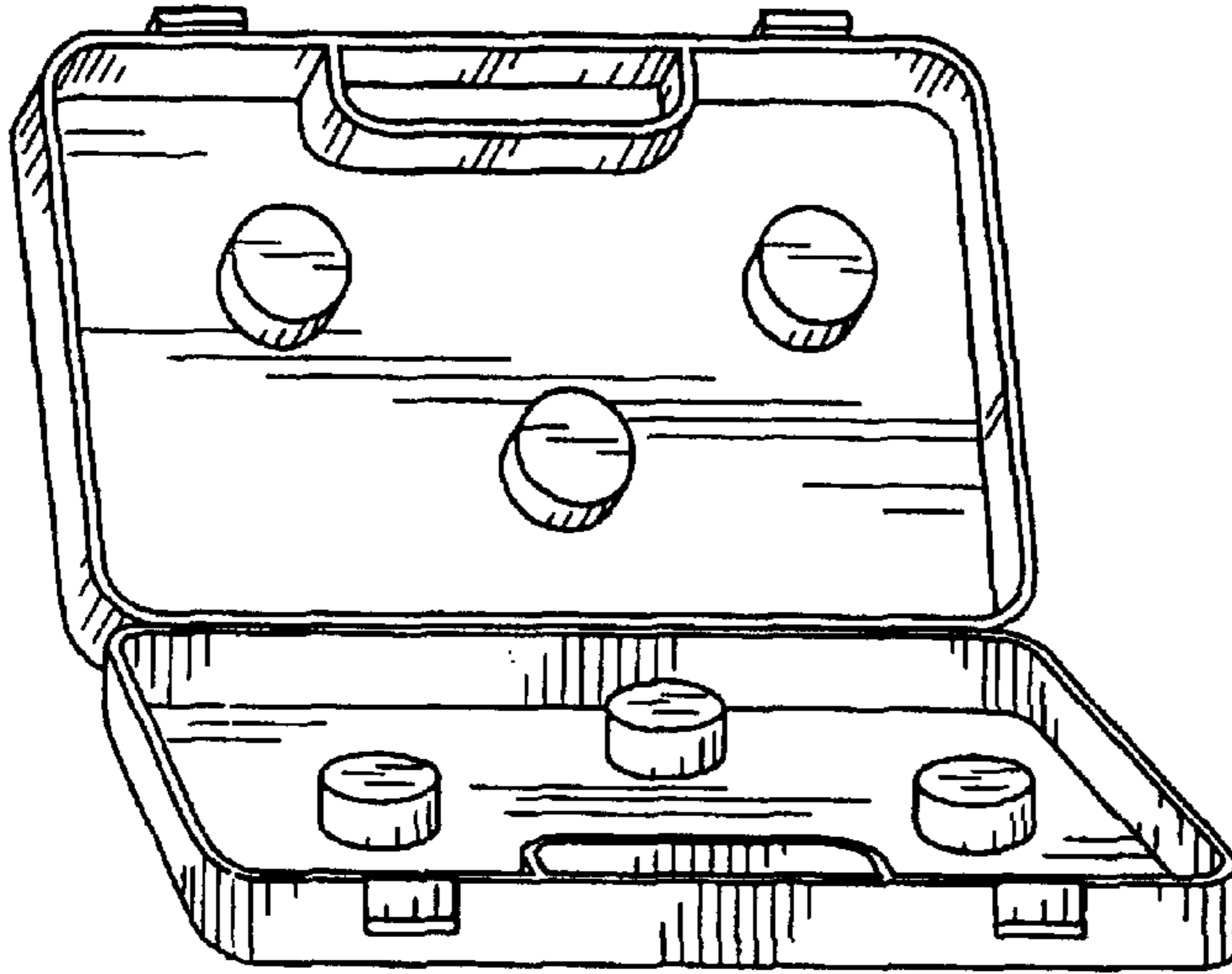


Fig. 2

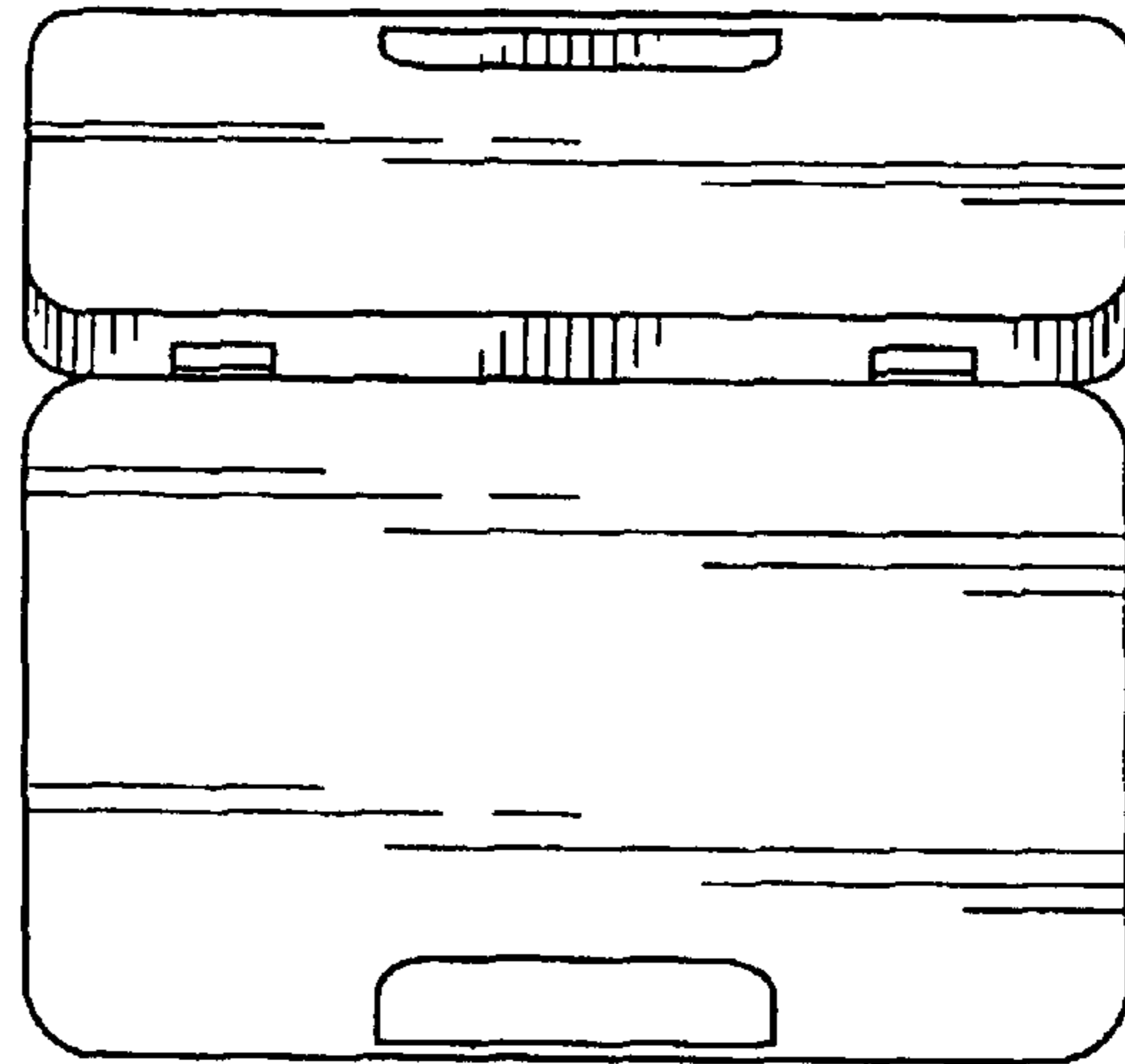


Fig. 3

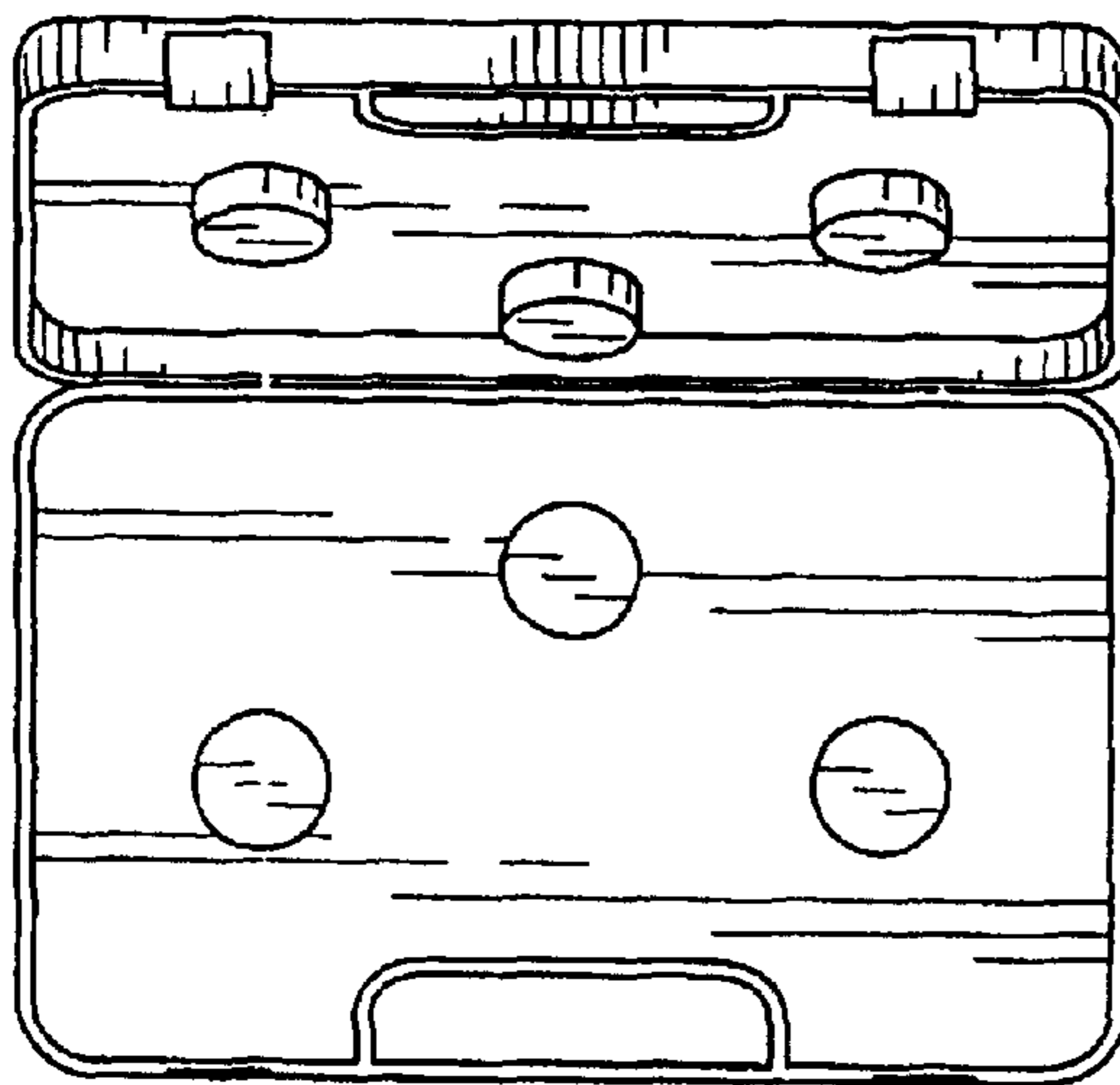


Fig. 4

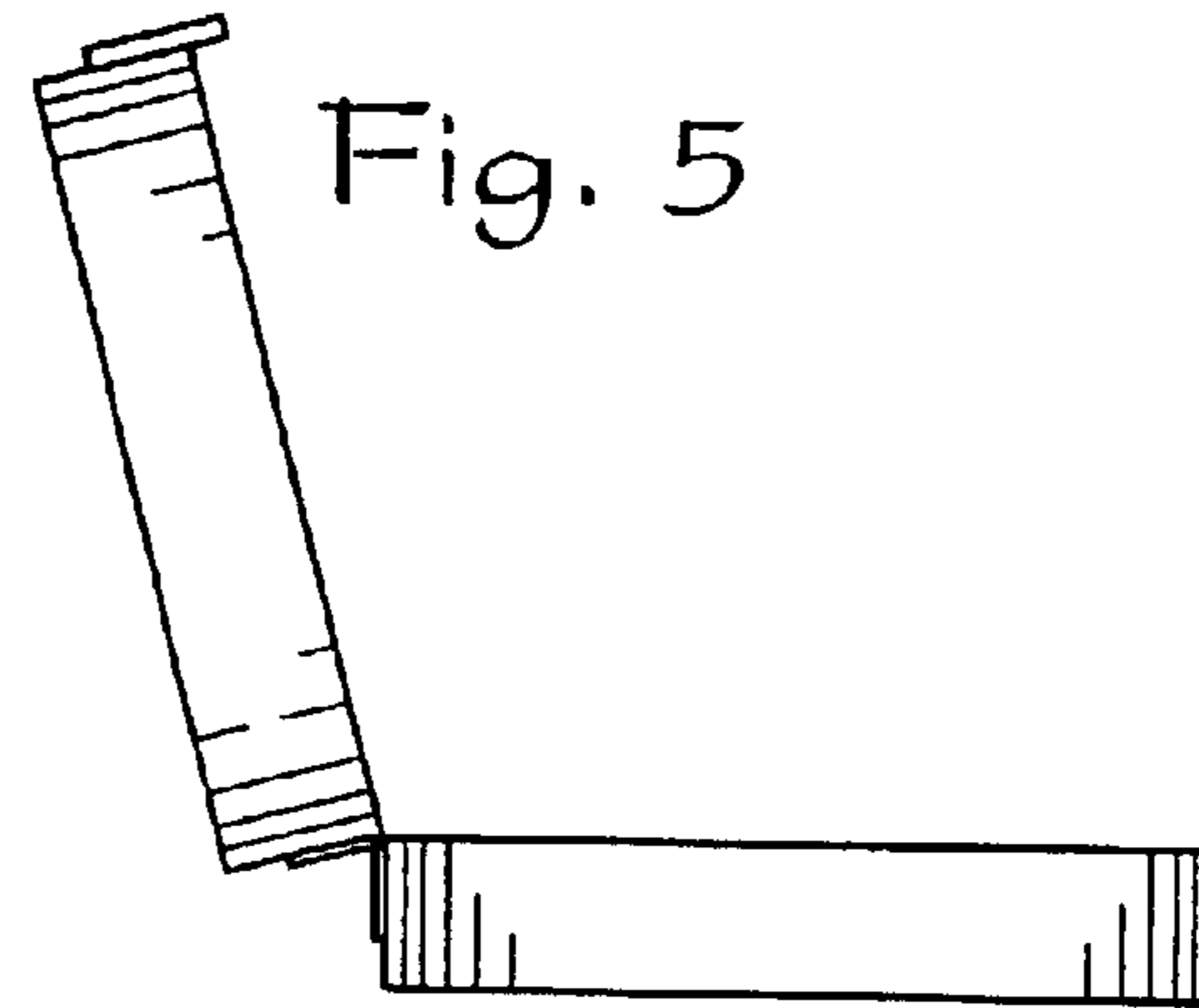
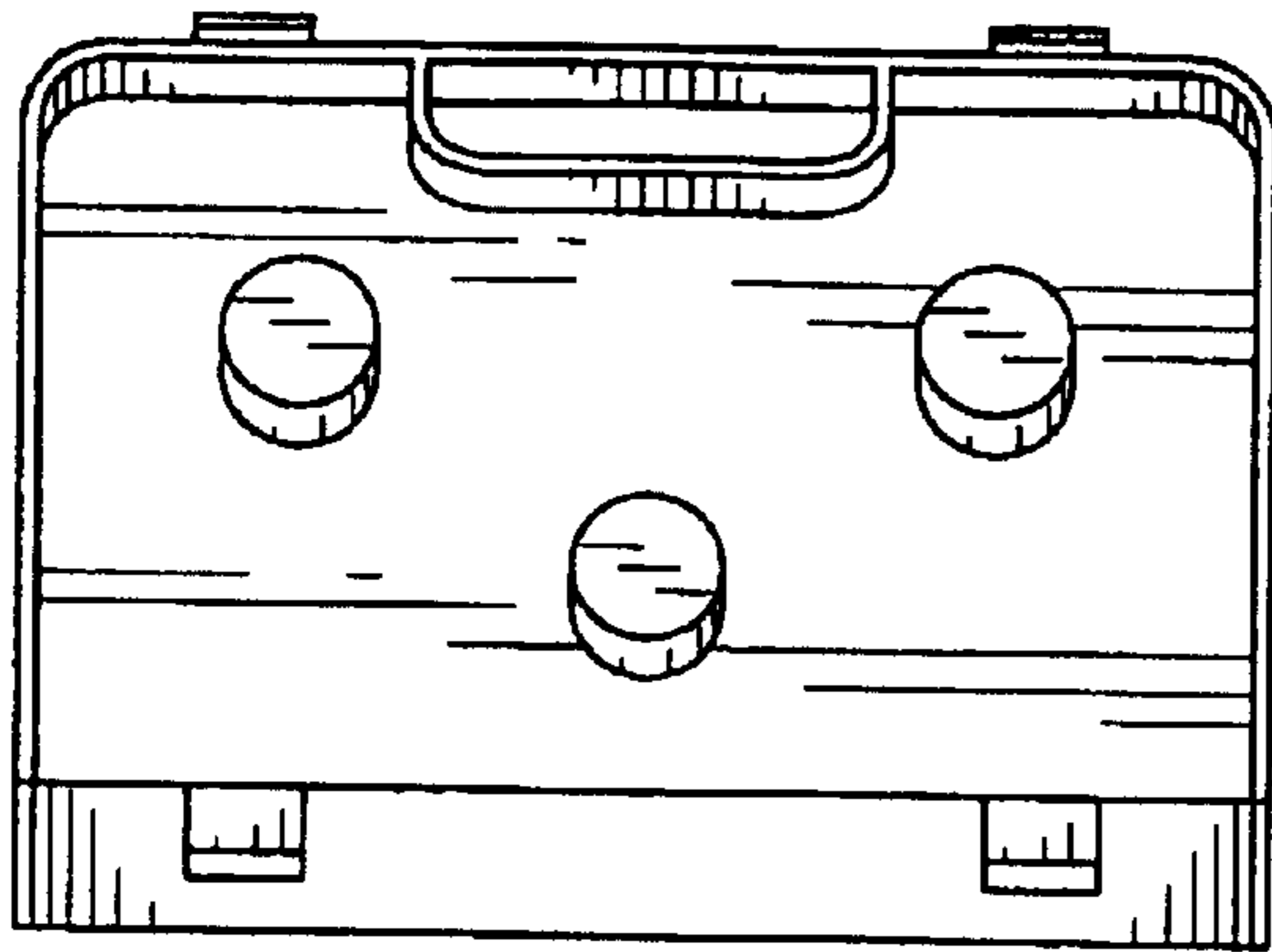


Fig. 5

Fig. 6

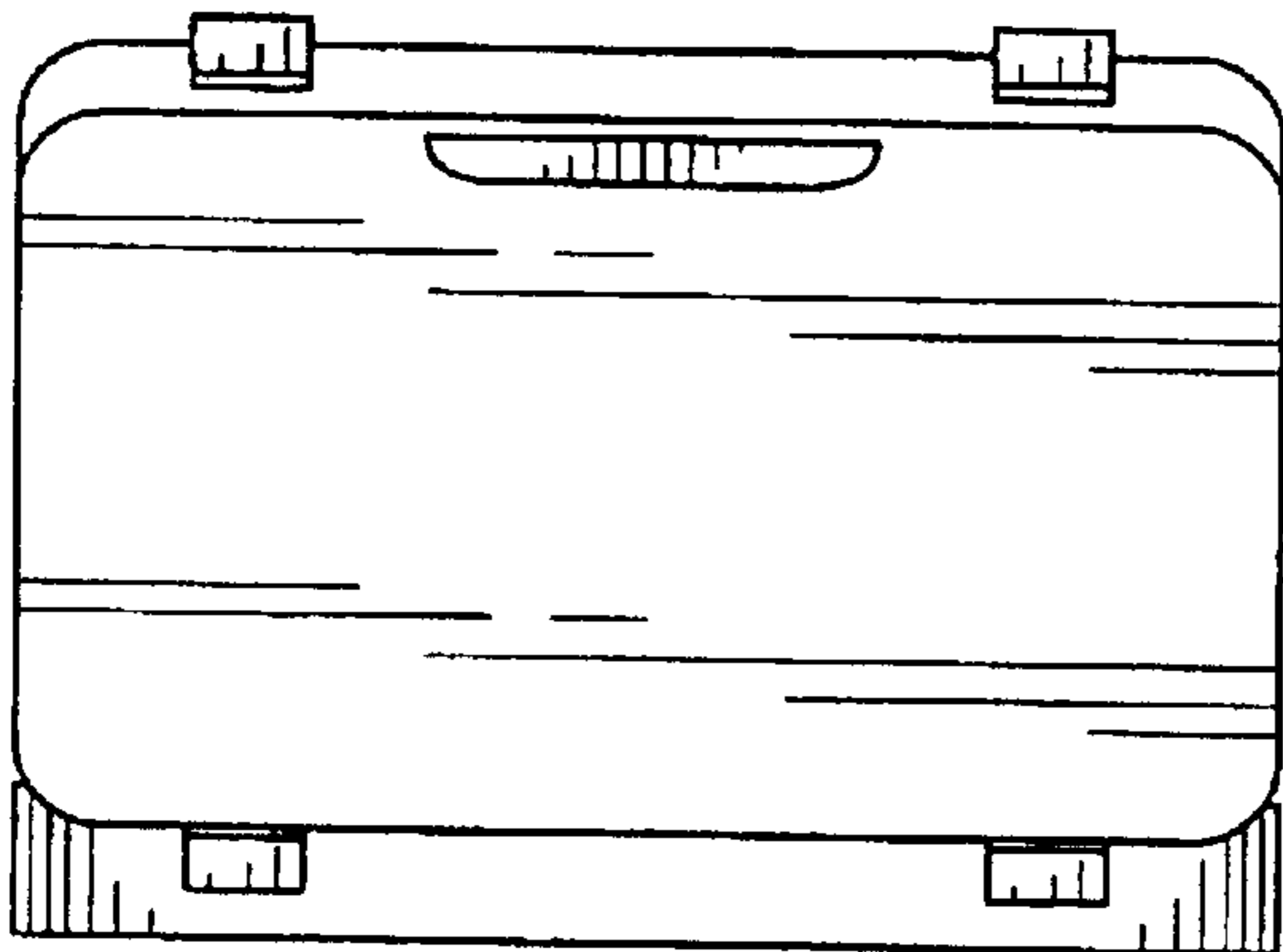


Fig. 7

