



US00D539526S

(12) **United States Design Patent**
Stein

(10) **Patent No.:** **US D539,526 S**

(45) **Date of Patent:** **** Apr. 3, 2007**

(54) **KEY LOCATOR**

(75) Inventor: **Sandra Stein**, West Hills, CA (US)

(73) Assignee: **Alexx, Inc.**, West Hills, CA (US)

(**) Term: **14 Years**

(21) Appl. No.: **29/260,084**

(22) Filed: **May 17, 2006**

Related U.S. Application Data

(63) Continuation of application No. 10/919,494, filed on Aug. 17, 2004.

(51) **LOC (8) Cl.** **03-01**

(52) **U.S. Cl.** **D3/207**

(58) **Field of Classification Search** D3/207-212;
206/37.1, 38.1; 150/147; 70/456 R, 456 B,
70/458-459; 24/3 K, 3.6, 100; D11/44, 48
See application file for complete search history.

5,173,999 A	*	12/1992	Welk et al.	24/599.2
D341,940 S	*	12/1993	MacDonald	D3/207
5,312,029 A		5/1994	Tuber	
D352,821 S	*	11/1994	Stillwagon	D3/207
5,359,870 A		11/1994	Reutlinger	
D353,261 S		12/1994	Fort et al.	
D357,350 S	*	4/1995	Stillwagon	D3/207
D366,359 S		1/1996	Riedl	
D371,325 S		7/1996	Fritsche	
D383,304 S		9/1997	Van Osch	
D385,415 S		10/1997	Turbide	
D392,201 S		3/1998	Chen	
D392,797 S	*	3/1998	Kampe	D3/207
5,729,870 A		3/1998	Sharp	
D396,552 S		8/1998	Browne	
D398,775 S		9/1998	Fritsche	
D403,500 S		1/1999	Winter	
D403,501 S		1/1999	Winter	
D403,502 S		1/1999	Winter	
D440,399 S		4/2001	DeRouen et al.	
D441,184 S		5/2001	Haapala	
6,318,610 B1		11/2001	Doherty	
6,334,239 B1		1/2002	Kraut	

(Continued)

(56) **References Cited**

U.S. PATENT DOCUMENTS

D178,482 S	*	8/1956	Bacon	D3/207
3,934,317 A		1/1976	Langwell	
4,004,325 A		1/1977	Hubachek	
4,113,156 A		9/1978	Brito	
4,201,259 A		5/1980	Alsdorf	
4,226,105 A		10/1980	Wehrman	
D262,498 S	*	1/1982	Beilis	D3/207
4,319,384 A		3/1982	Horne	
4,407,148 A		10/1983	Rousseau	
4,430,778 A		2/1984	Sander	
4,516,418 A		5/1985	Cuttler	
4,523,443 A		6/1985	Momemers	
4,587,818 A		5/1986	Griffin	
D285,989 S	*	10/1986	MacDonald	D3/207
D288,984 S		3/1987	Scheurer et al.	
4,665,594 A		5/1987	Wagner	
D308,294 S		6/1990	Krassner	
D309,830 S		8/1990	Kraus	
D311,451 S		10/1990	Chan	
D312,172 S		11/1990	Ambrosio	

OTHER PUBLICATIONS

U.S. Appl. No. 10/919,494, filed Aug. 17, 2004, Stein.

Primary Examiner—Ralf Seifert

(74) *Attorney, Agent, or Firm*—Jones Day; Brett Lovejoy

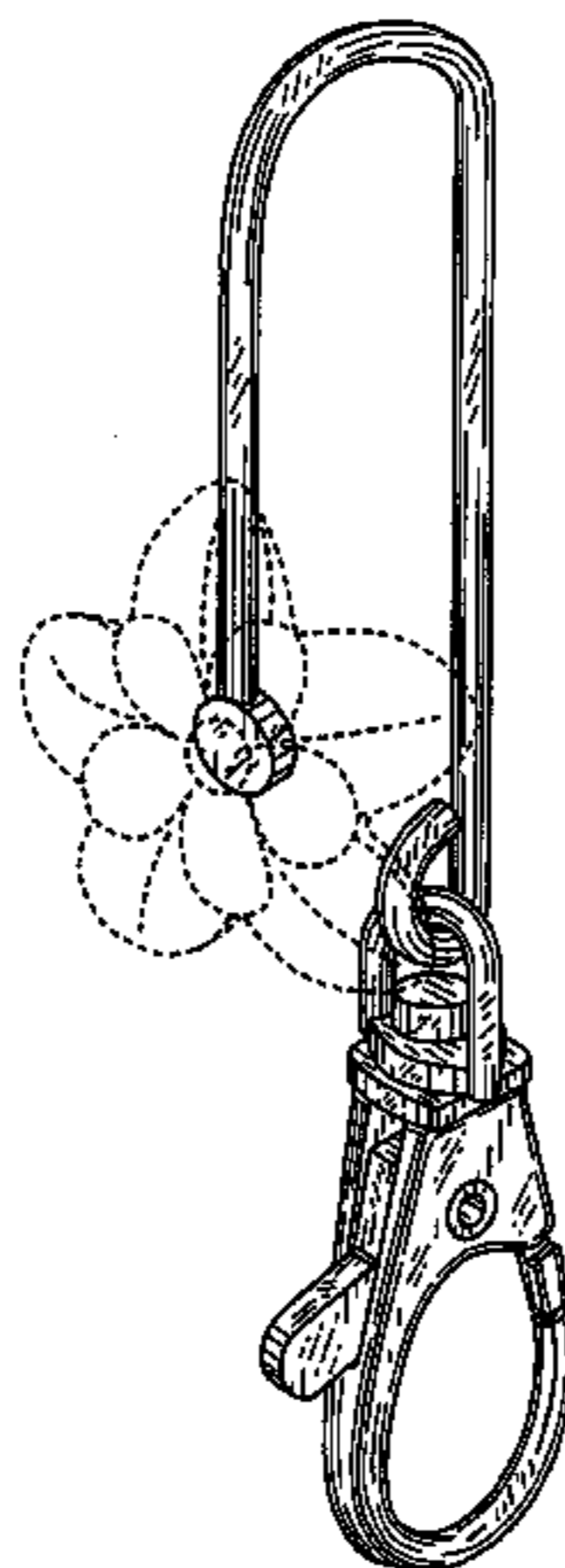
(57) **CLAIM**

The ornamental design for a key locator, as shown and described.

DESCRIPTION

FIG. 1 is a front right perspective view of an ornamental design for a key locator according to the present invention; FIG. 2 is a front elevational view thereof; FIG. 3 is a back elevational view thereof; FIG. 4 is a right side elevational view thereof; FIG. 5 is a top plan view thereof; and, FIG. 6 is a bottom plan view thereof. All portions shown in broken lines are environmental and illustrative only, and form no part of the claimed design.

1 Claim, 4 Drawing Sheets



US D539,526 S

Page 2

U.S. PATENT DOCUMENTS

D468,091 S	1/2003	Tipton	D504,222 S	4/2005	Kieffer
6,536,081 B2	3/2003	Allen et al.	6,928,943 B1	8/2005	Neubauer
6,591,646 B1	7/2003	Huang	D510,185 S	10/2005	Chan
D478,719 S	8/2003	Mercuri	7,021,852 B1	4/2006	Turner, III et al.
6,606,769 B1	8/2003	Harris	2003/0200687 A1	10/2003	Wolfe
D479,768 S	9/2003	Macevicz	2003/0200779 A1	10/2003	Fitch
D484,306 S	12/2003	Lau	2005/0208848 A1	9/2005	Grossman
6,843,086 B2	1/2005	Fitch	2005/0257867 A1	11/2005	Vazin
6,870,483 B1	3/2005	Davis	2006/0048343 A1	3/2006	Sinon
D503,850 S	4/2005	Staab	2006/0090302 A1	5/2006	Colby

* cited by examiner

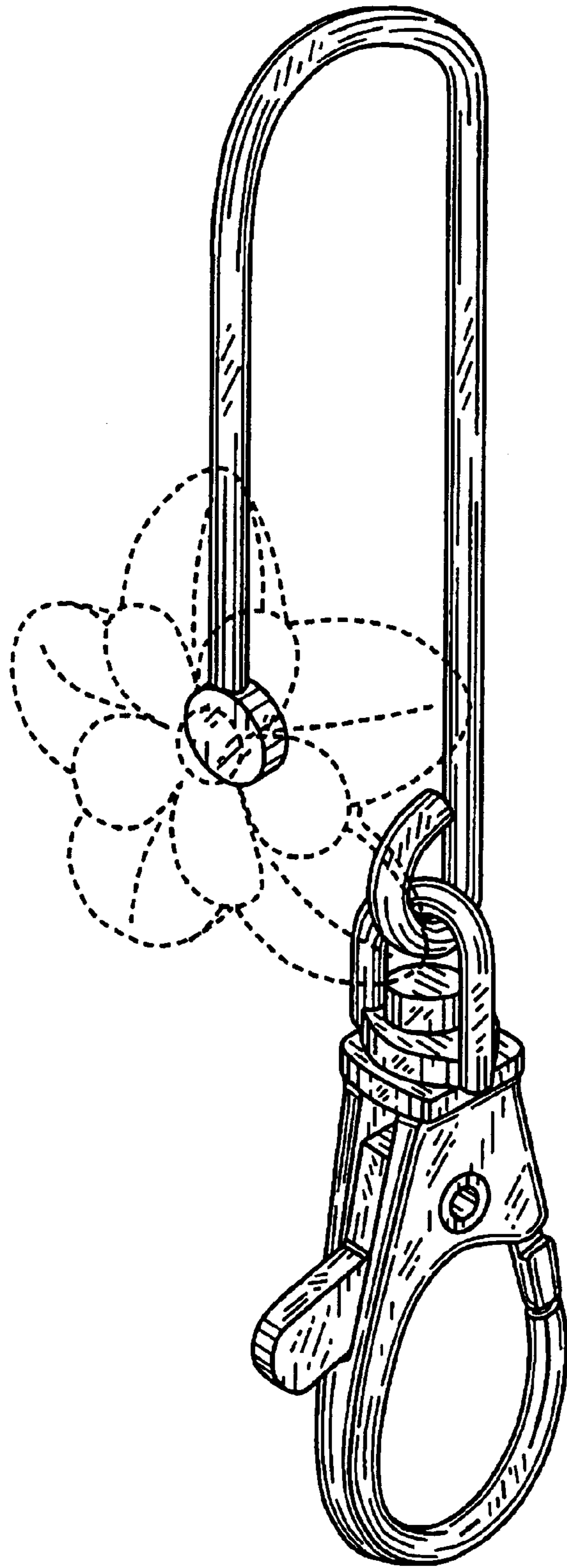


FIG. 1

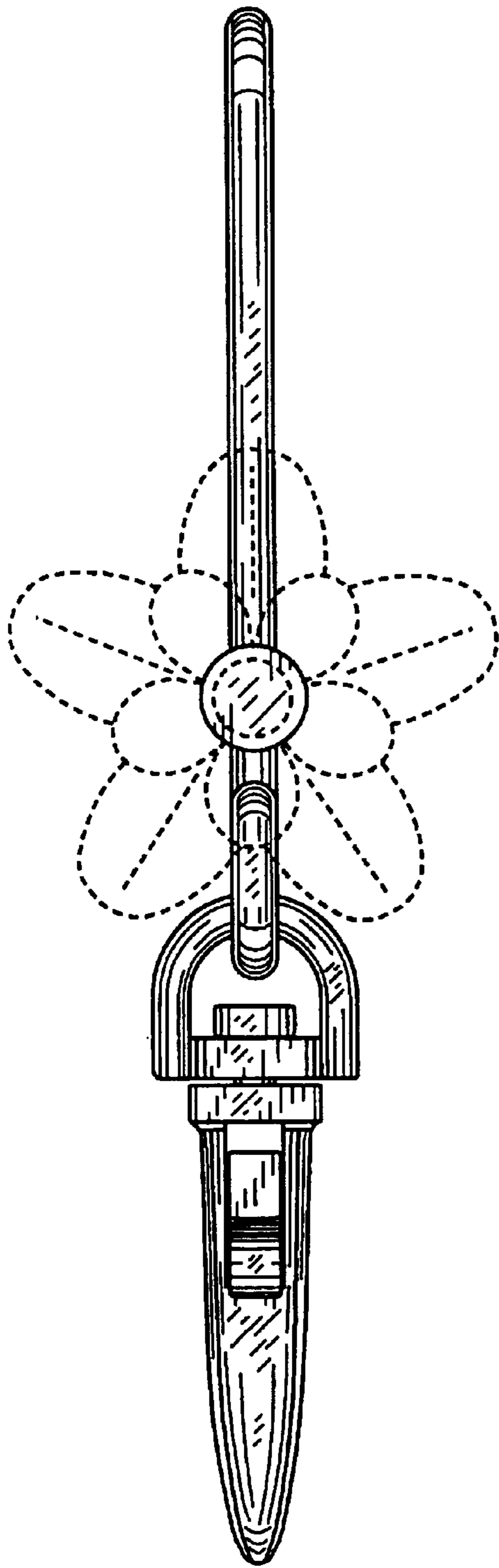


FIG. 2

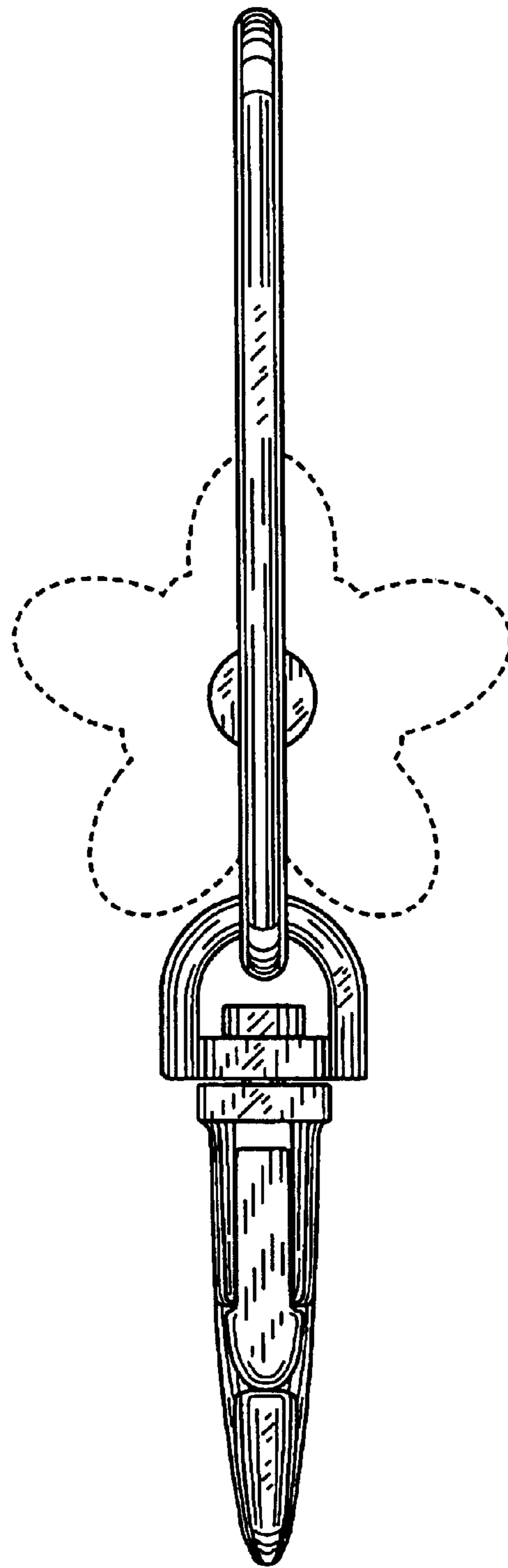


FIG. 3

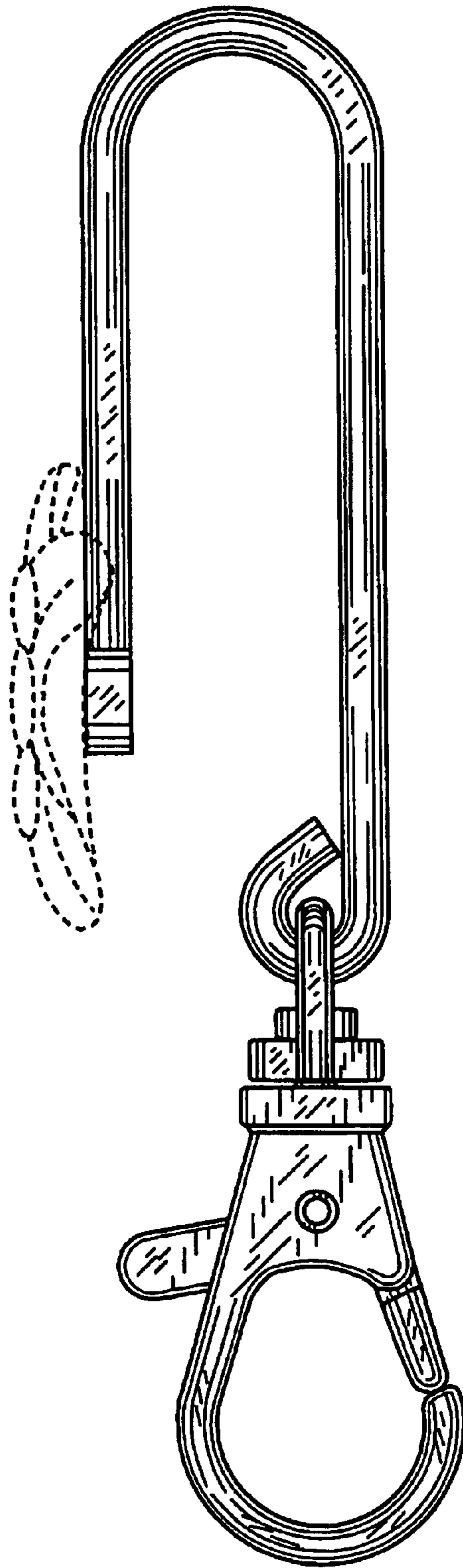


FIG. 4

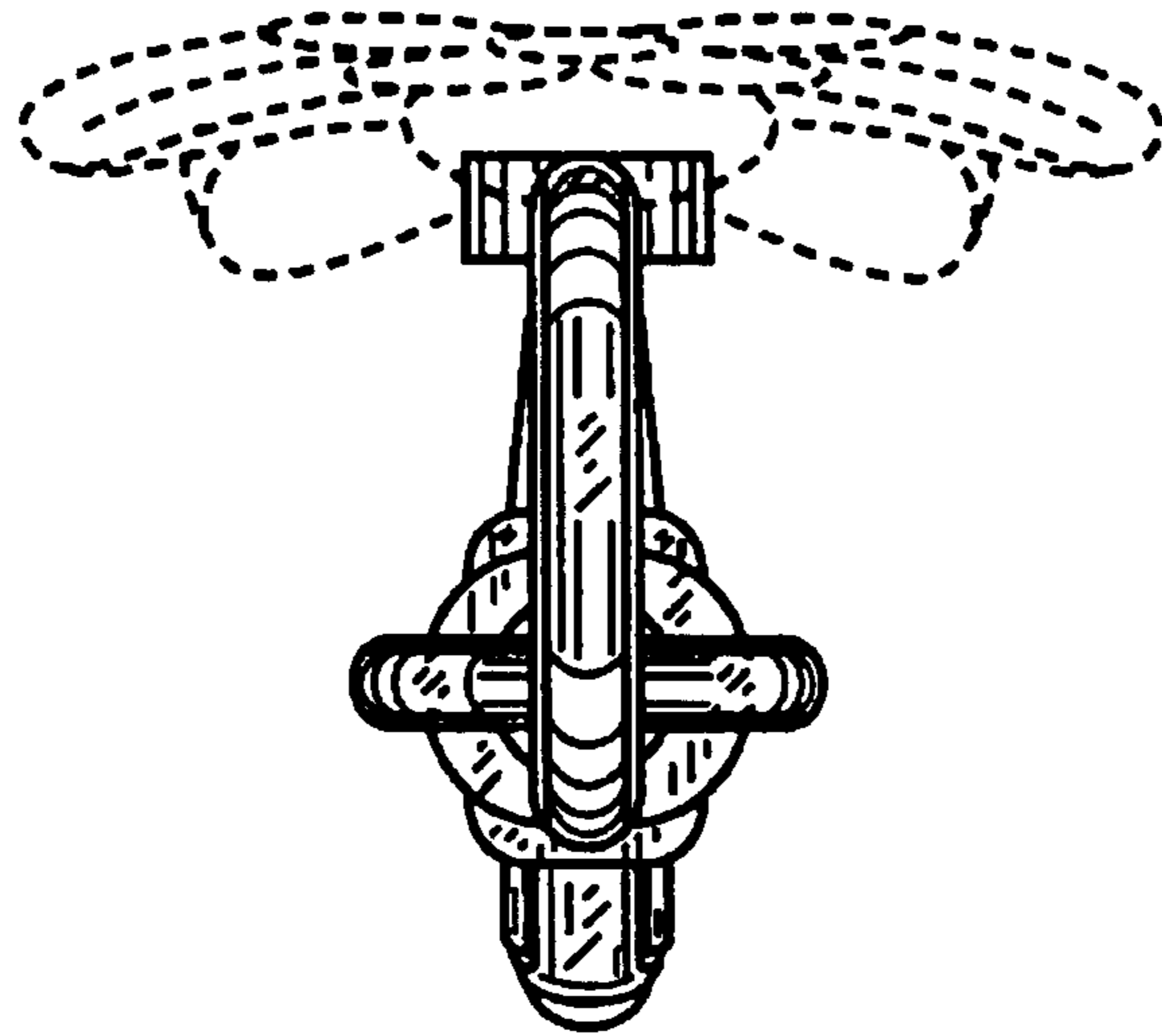


FIG. 5

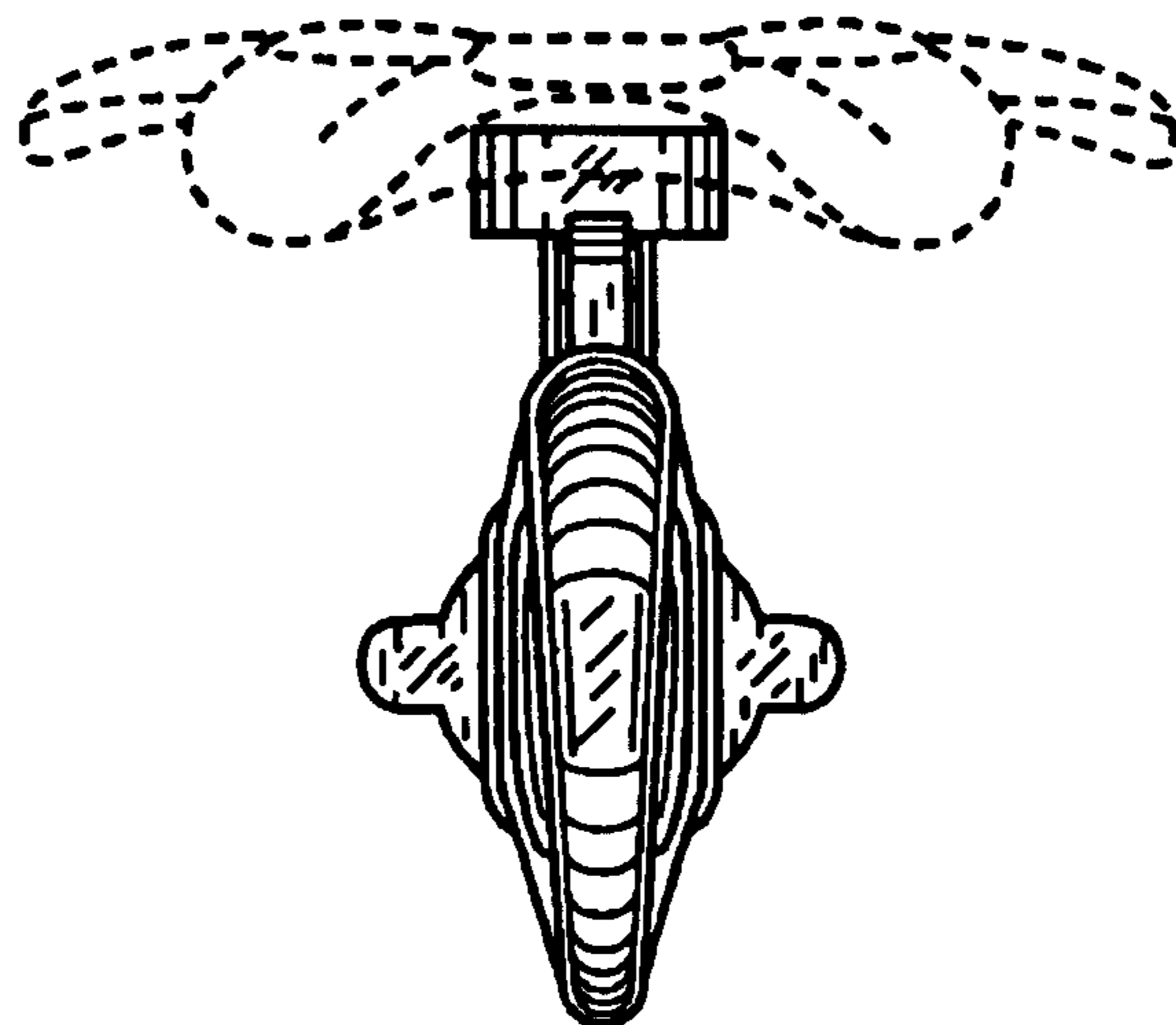


FIG. 6