



US00D539504S

(12) **United States Design Patent**
Quinlan, Jr. et al.

(10) **Patent No.:** **US D539,504 S**

(45) **Date of Patent:** **** Mar. 27, 2007**

(54) **OVERHEAD GUARD FOR A MATERIALS HANDLING VEHICLE**

(75) Inventors: **Roger J. Quinlan, Jr.**, Troy, OH (US);
Craig J. Rekow, Troy, OH (US);
Thornton K. Lothrop, Worthington,
OH (US); **Ryan R. Berger**, Columbus,
OH (US)

(73) Assignee: **Crown Equipment Corporation**, New
Bremen, OH (US)

(**) Term: **14 Years**

(21) Appl. No.: **29/242,290**

(22) Filed: **Nov. 8, 2005**

(51) **LOC (8) Cl.** **12-05**

(52) **U.S. Cl.** **D34/35; D34/34**

(58) **Field of Classification Search** D34/28,
D34/34, 35; 180/89.12, 299, 315; 187/222,
187/224; 280/43.12

See application file for complete search history.

(56) **References Cited**

U.S. PATENT DOCUMENTS

D379,020 S	*	4/1997	Avitan	D34/34
D407,176 S		3/1999	Henshaw et al.	
D407,177 S		3/1999	Henshaw et al.	
6,137,398 A		10/2000	Dunlap et al.	
6,182,797 B1		2/2001	Tebbe et al.	
D506,859 S	*	6/2005	Ryan et al.	D34/35
D515,769 S	*	2/2006	Ryan et al.	D34/35

OTHER PUBLICATIONS

Crown specification brochure No. SF12386 Rev. 1/04
entitled Crown RC 3000 Series Stand-up Rider Lift Truck,
U.S.A.

* cited by examiner

Primary Examiner—Cynthia E. Ramirez

(74) *Attorney, Agent, or Firm*—Steven & Showalter LLP

(57) **CLAIM**

The ornamental design for an overhead guard for a materials
handling vehicle, as shown.

DESCRIPTION

FIG. 1 is a perspective view of an overhead guard for a
materials handling vehicle taken from the left front of the
vehicle, the forks defining the front of the vehicle;

FIG. 2 is a perspective view of the overhead guard of FIG.
1 taken from the right rear of the guard;

FIG. 3 is a plan top view of the overhead guard of FIGS. 1
and 2;

FIG. 4 is an elevational right side view of the overhead guard
of FIGS. 1 and 2;

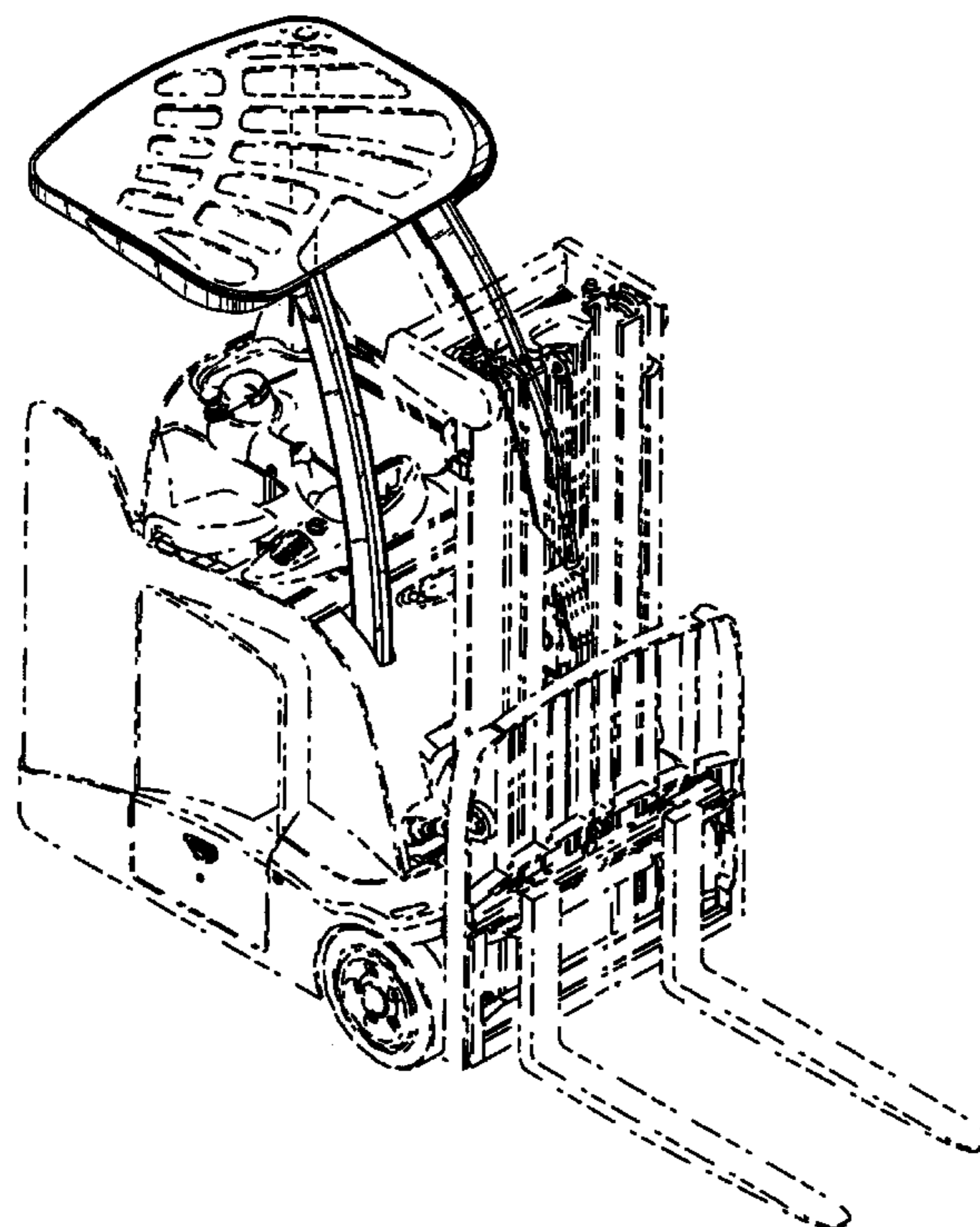
FIG. 5 is an elevational left side view of the overhead guard
of FIGS. 1 and 2;

FIG. 6 is an elevational rear view of the overhead guard of
FIGS. 1 and 2;

FIG. 7 is an elevational front view of the overhead guard of
FIGS. 1 and 2; and,

FIG. 8 is a plan bottom view of the overhead guard of FIGS.
1 and 2.

1 Claim, 5 Drawing Sheets



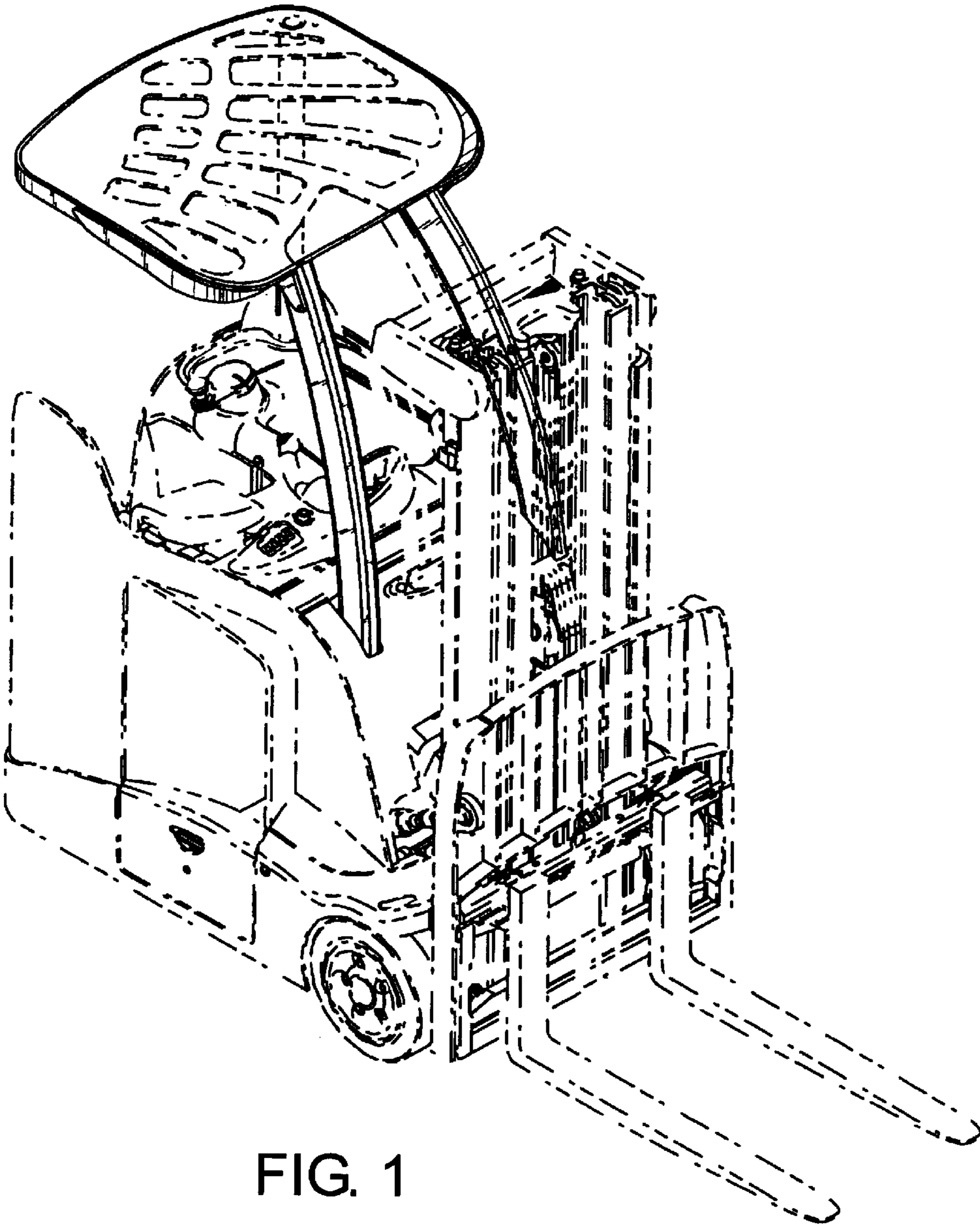


FIG. 1

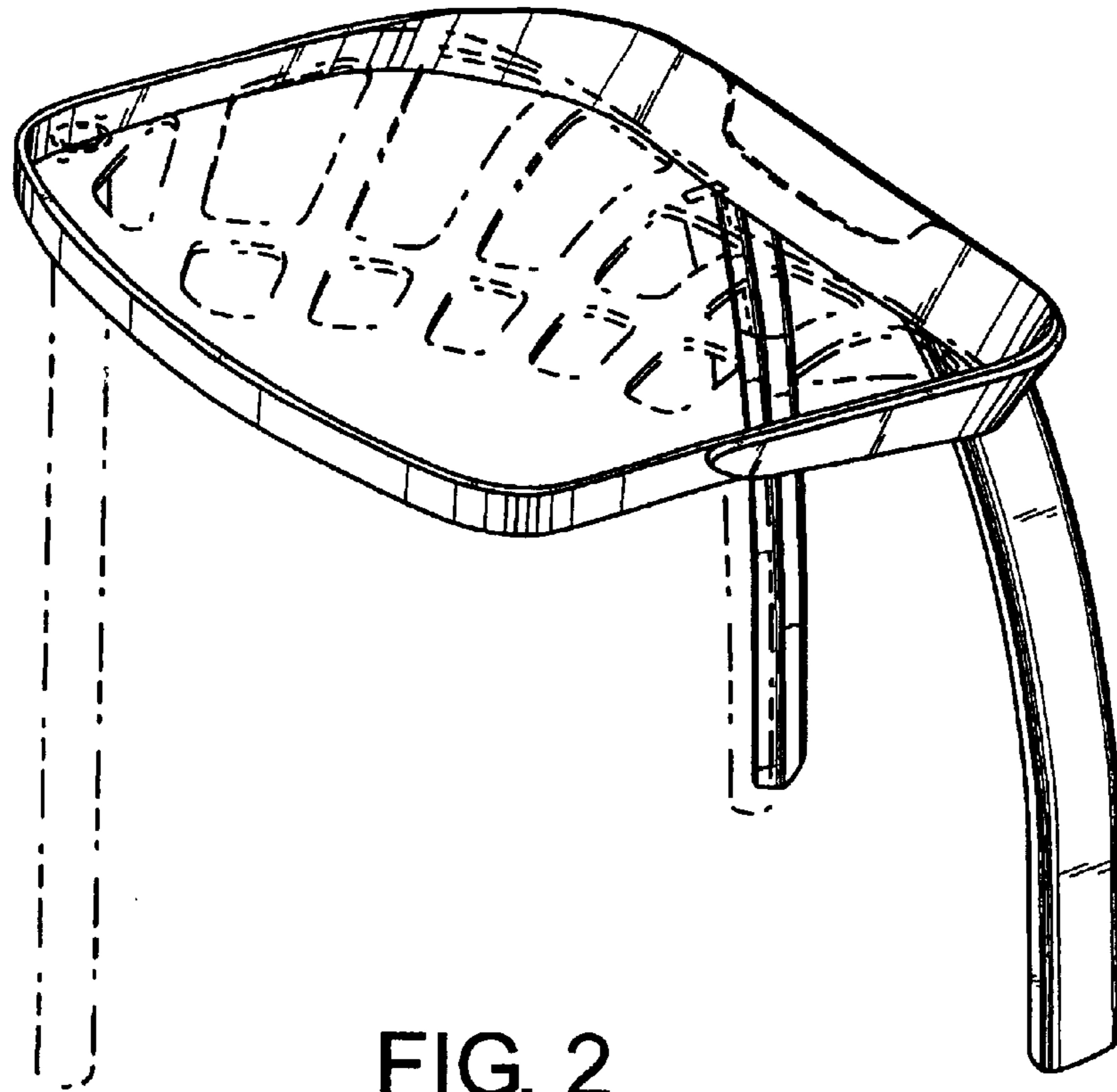


FIG. 2

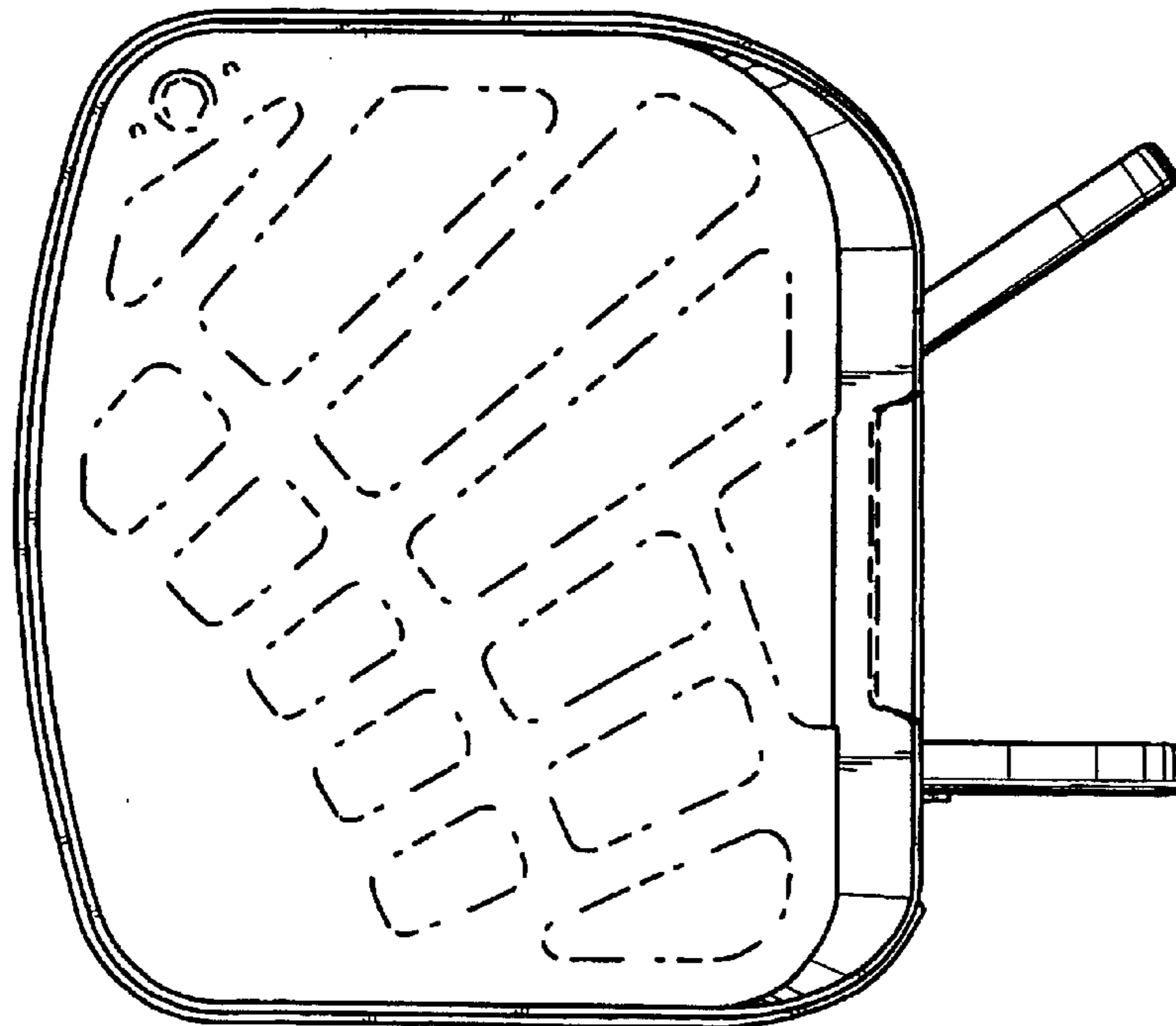


FIG. 3

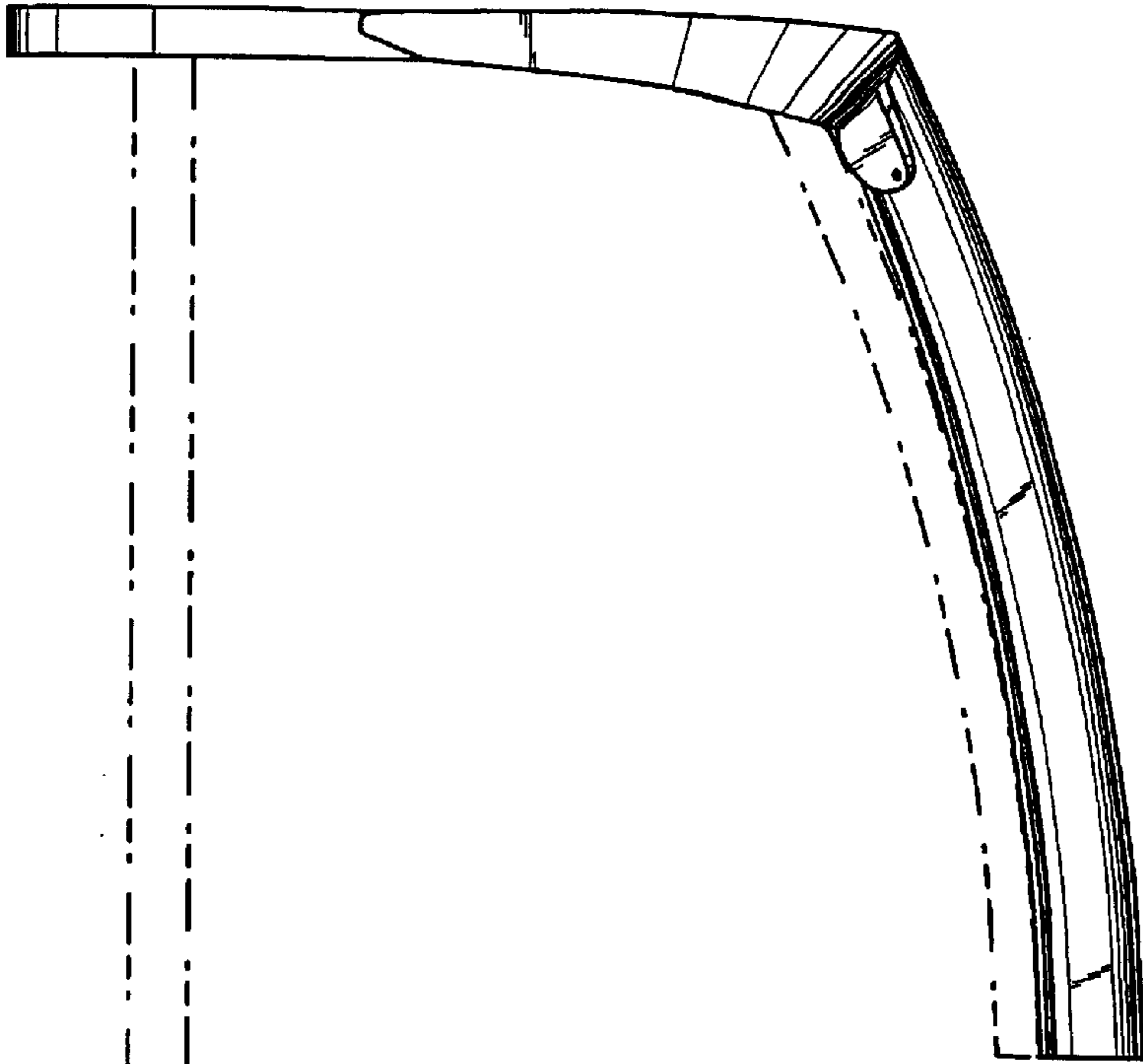


FIG. 4

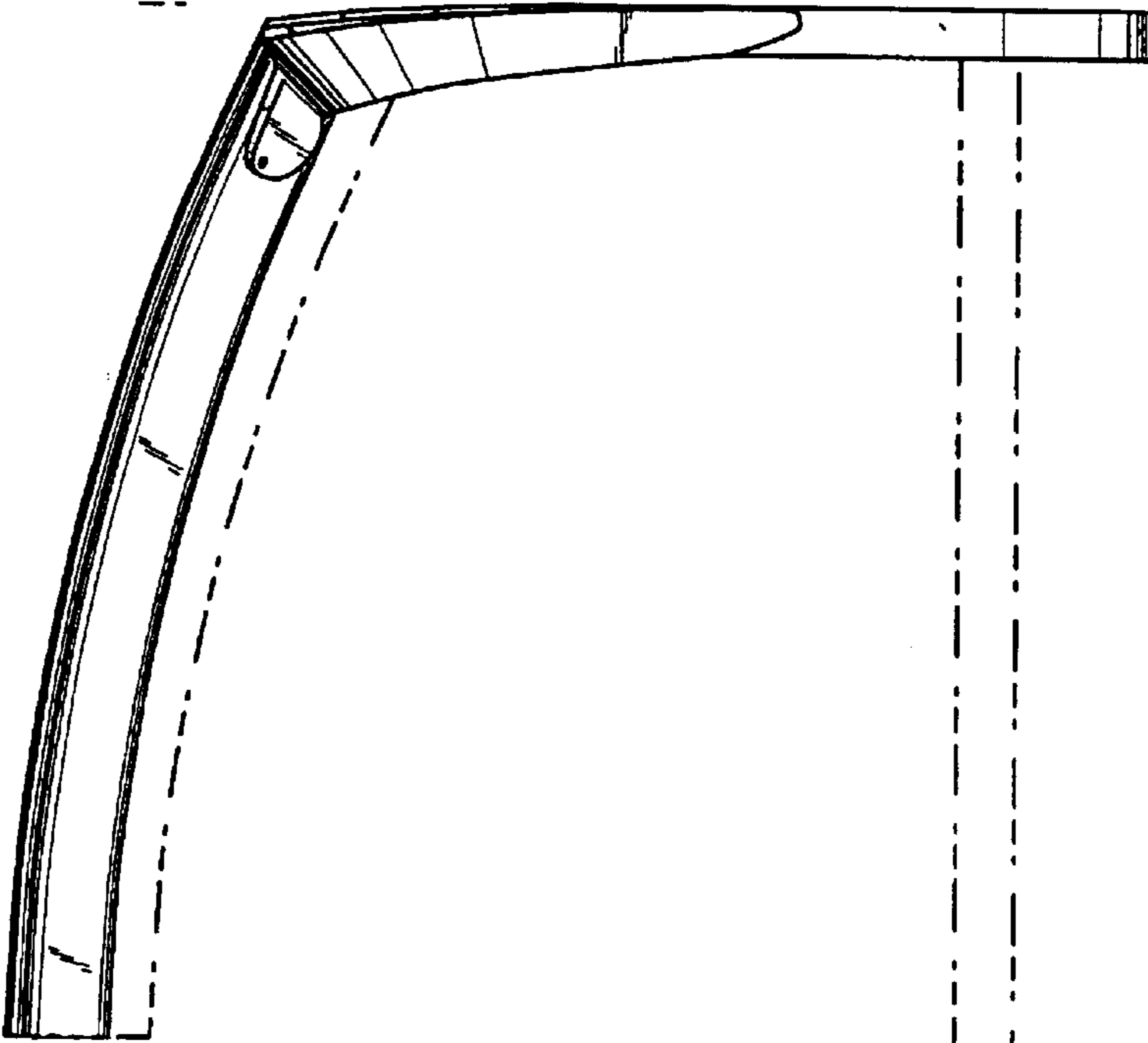


FIG. 5

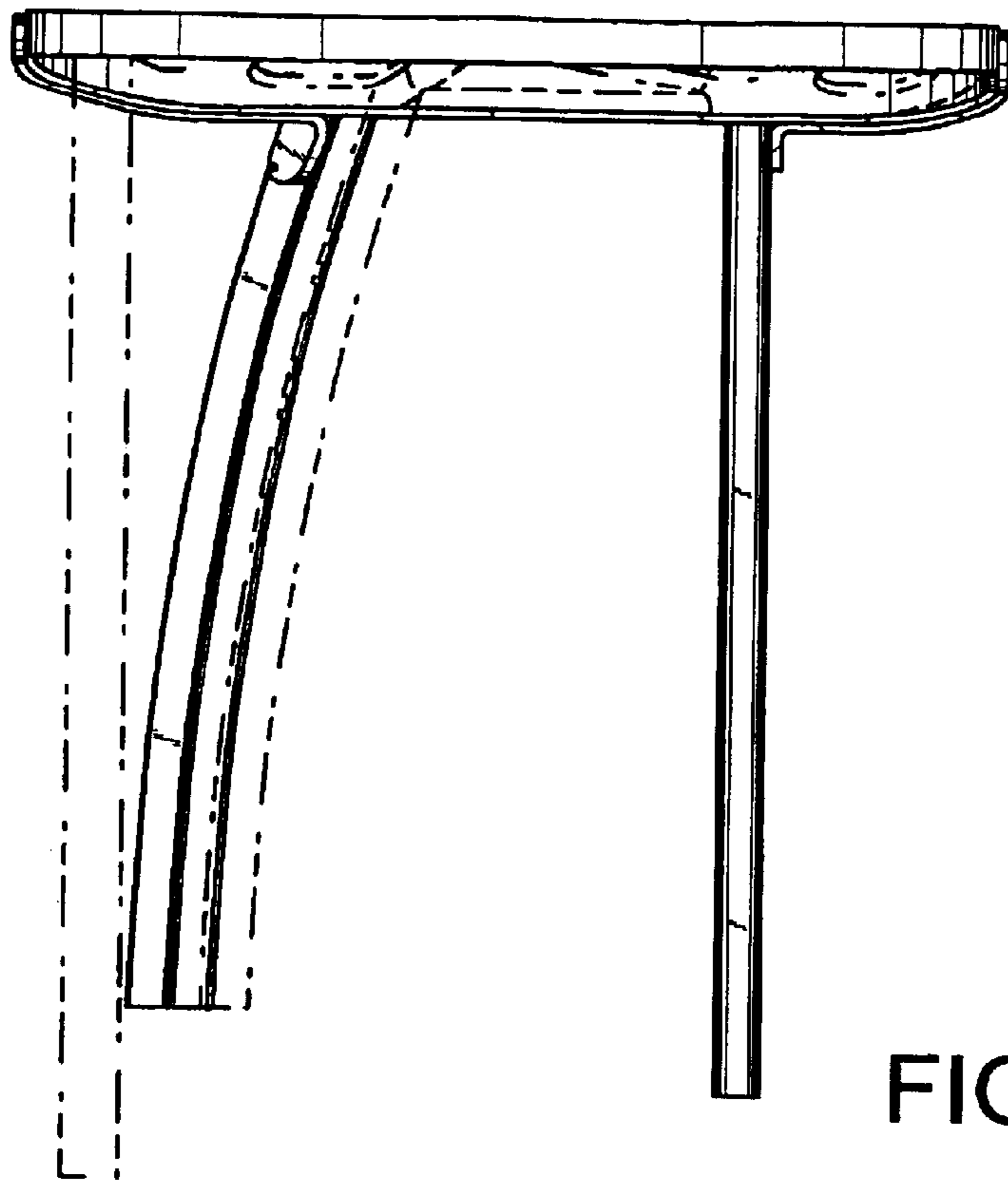


FIG. 6

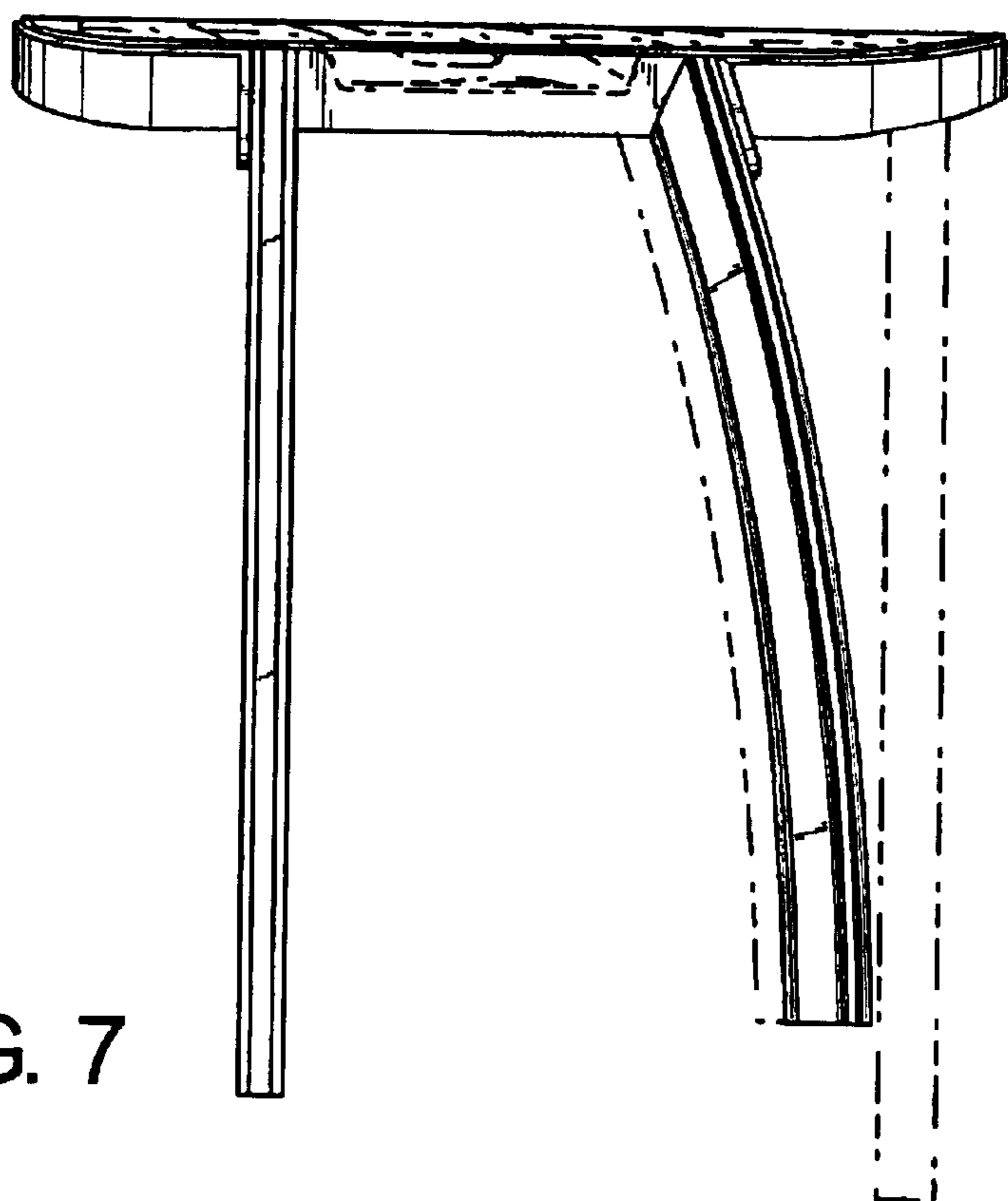


FIG. 7

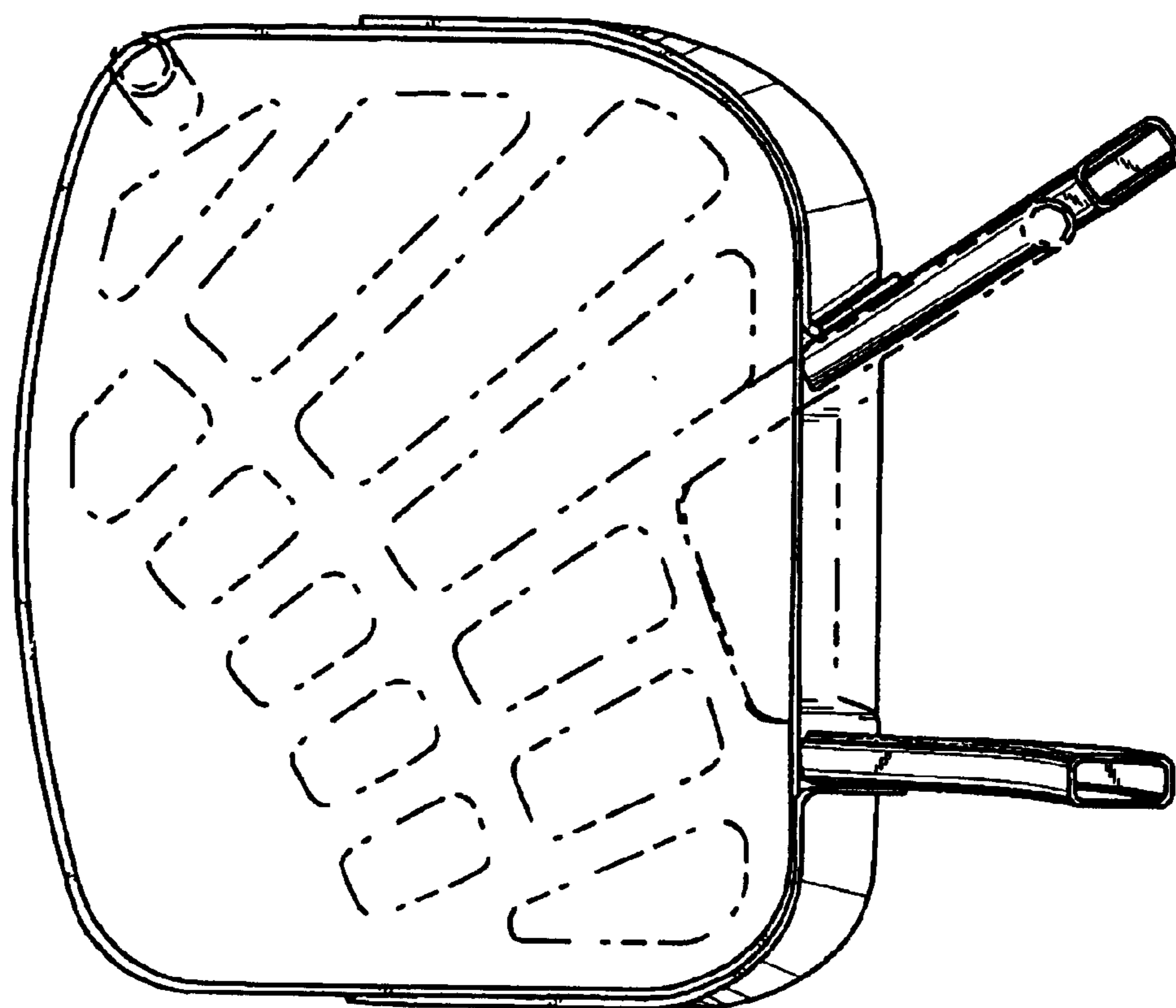


FIG. 8