



US00D539502S

(12) **United States Design Patent**
Quinlan, Jr. et al.

(10) **Patent No.:** **US D539,502 S**

(45) **Date of Patent:** **** Mar. 27, 2007**

(54) **OPERATOR COMPARTMENT STEP
ARRANGEMENT FOR A MATERIALS
HANDLING VEHICLE**

6,089,353 A * 7/2000 Bartels et al. 187/224
6,182,778 B1 2/2001 Henshaw et al.
6,236,927 B1 5/2001 Sherman
6,871,721 B2 * 3/2005 Smiley et al. 180/333

(75) Inventors: **Roger J. Quinlan, Jr.**, Troy, OH (US);
Craig J. Rekow, Troy, OH (US)

* cited by examiner

(73) Assignee: **Crown Equipment Corporation**, New
Breman, OH (US)

Primary Examiner—Cynthia E. Ramirez

(74) *Attorney, Agent, or Firm*—Steven & Showalter LLP

(**) Term: **14 Years**

(57) **CLAIM**

The ornamental design for an operator compartment step
arrangement for a materials handling vehicle, as shown.

(21) Appl. No.: **29/242,284**

(22) Filed: **Nov. 8, 2005**

DESCRIPTION

(51) **LOC (8) Cl.** **12-05**

(52) **U.S. Cl.** **D34/35**

(58) **Field of Classification Search** D34/28,
D34/34, 35; 180/89.12, 299, 325; 280/402,
280/43.12; D12/14, 15, 93, 94; 187/222,
187/224

See application file for complete search history.

FIG. 1 is a perspective view of an operator compartment step
arrangement for a materials handling vehicle taken from the
right rear showing our new design;

FIG. 2 is a perspective view of the operator compartment
step arrangement of FIG. 1 shown on an enlarged scale;

FIG. 3 is a plan top view of the operator compartment step
arrangement of FIGS. 1 and 2;

FIG. 4 is an elevational rear view of the operator compart-
ment step arrangement of FIGS. 1 and 2;

FIG. 5 is an elevational left side view of the operator
compartment step arrangement of FIGS. 1 and 2; and,

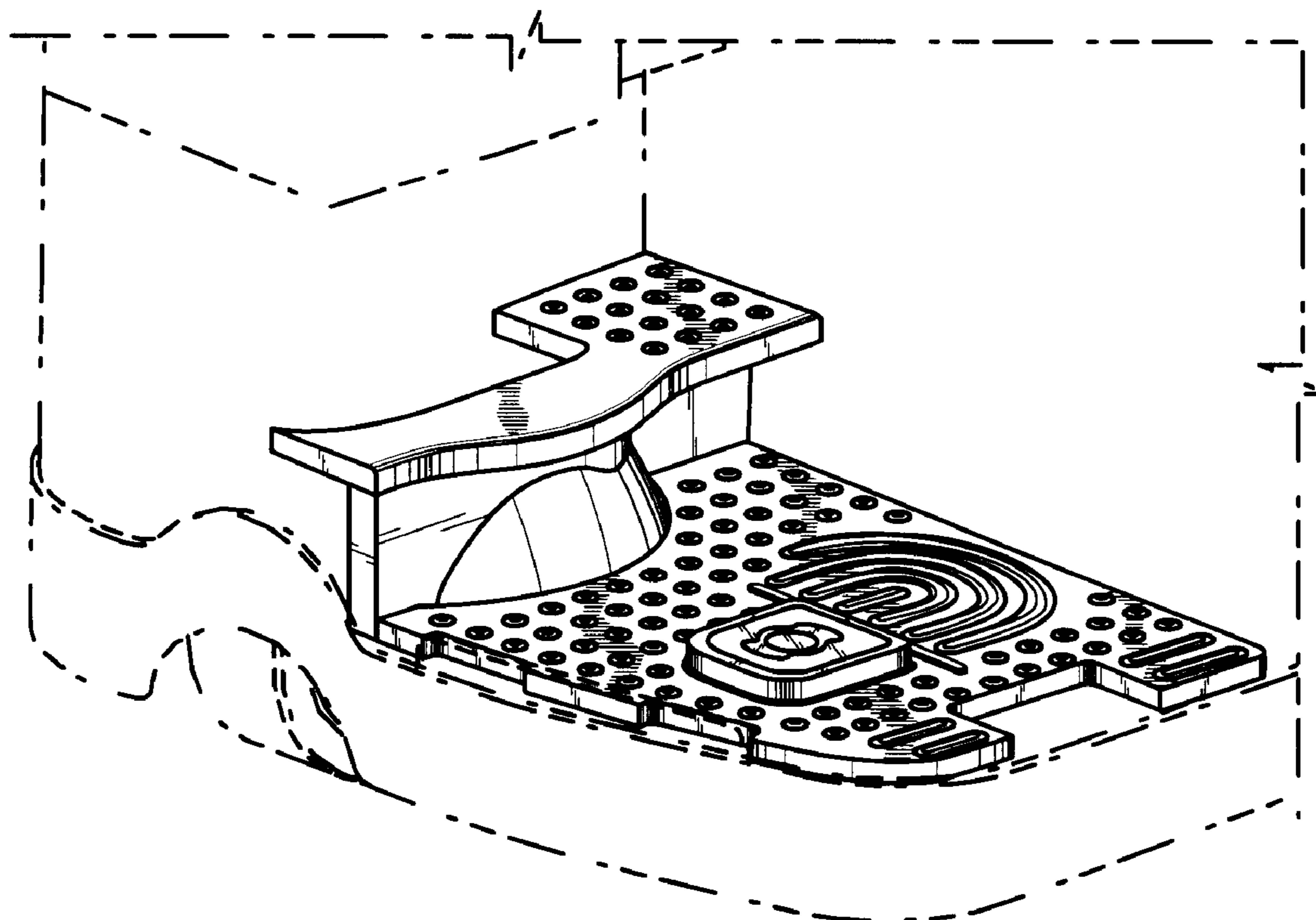
FIG. 6 is an elevational right side view of the operator
compartment step arrangement of FIGS. 1 and 2.

(56) **References Cited**

U.S. PATENT DOCUMENTS

D222,694 S * 12/1971 Goodacre D34/34
D370,760 S * 6/1996 Soederberg D34/34
D373,888 S * 9/1996 Soederberg D34/34
D407,176 S * 3/1999 Henshaw et al. D34/34

1 Claim, 3 Drawing Sheets



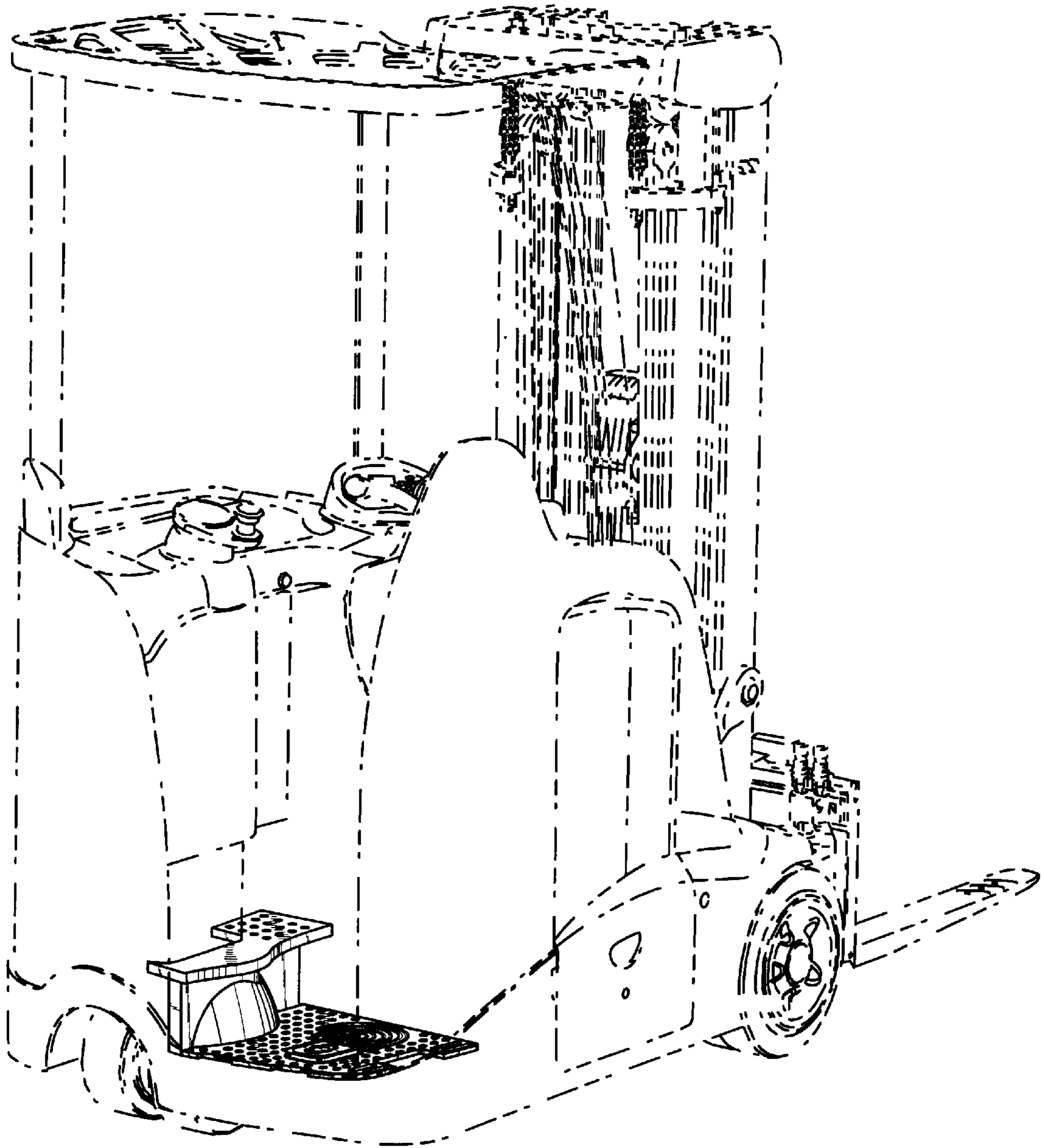


FIG. 1

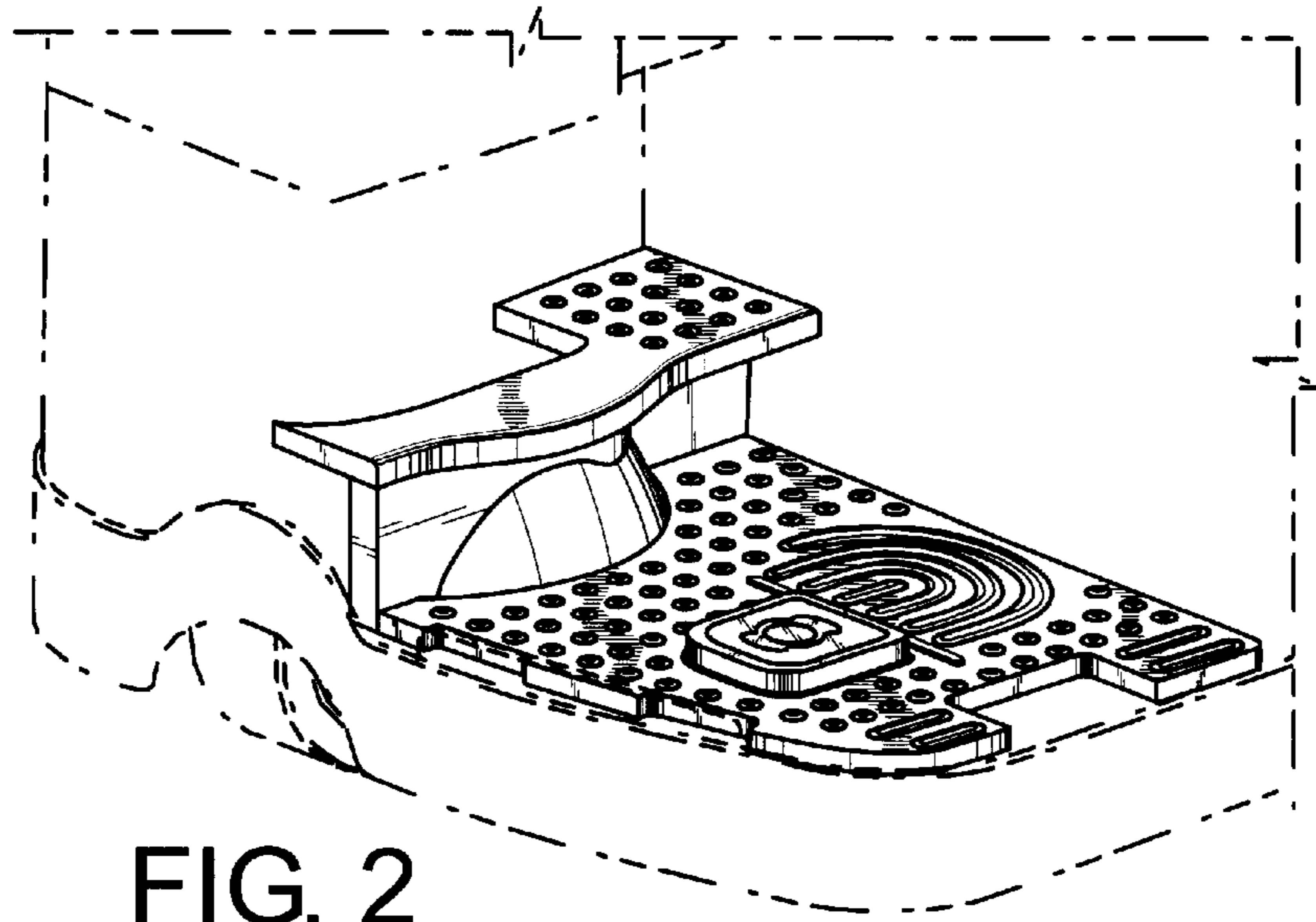


FIG. 2

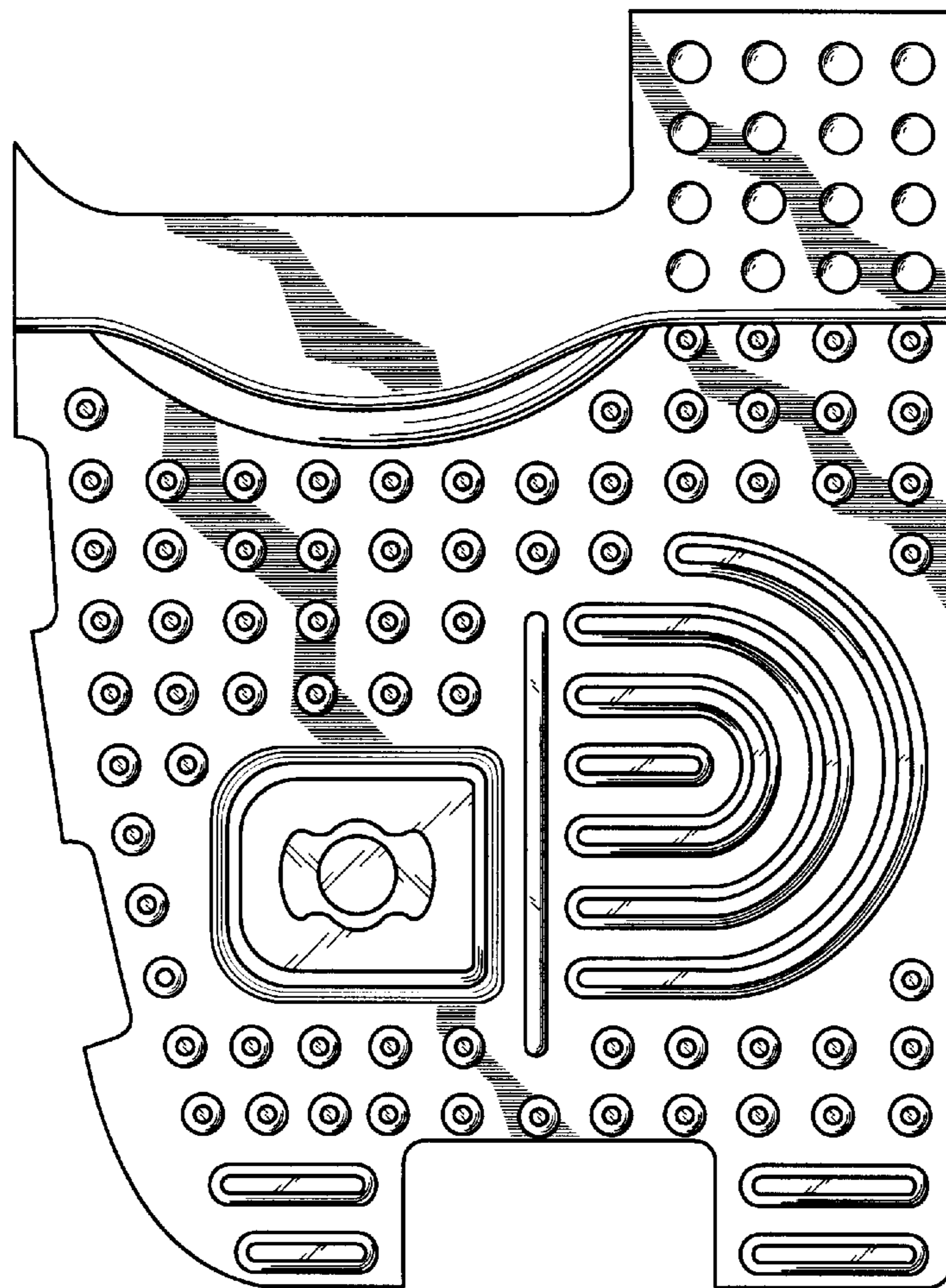


FIG. 3

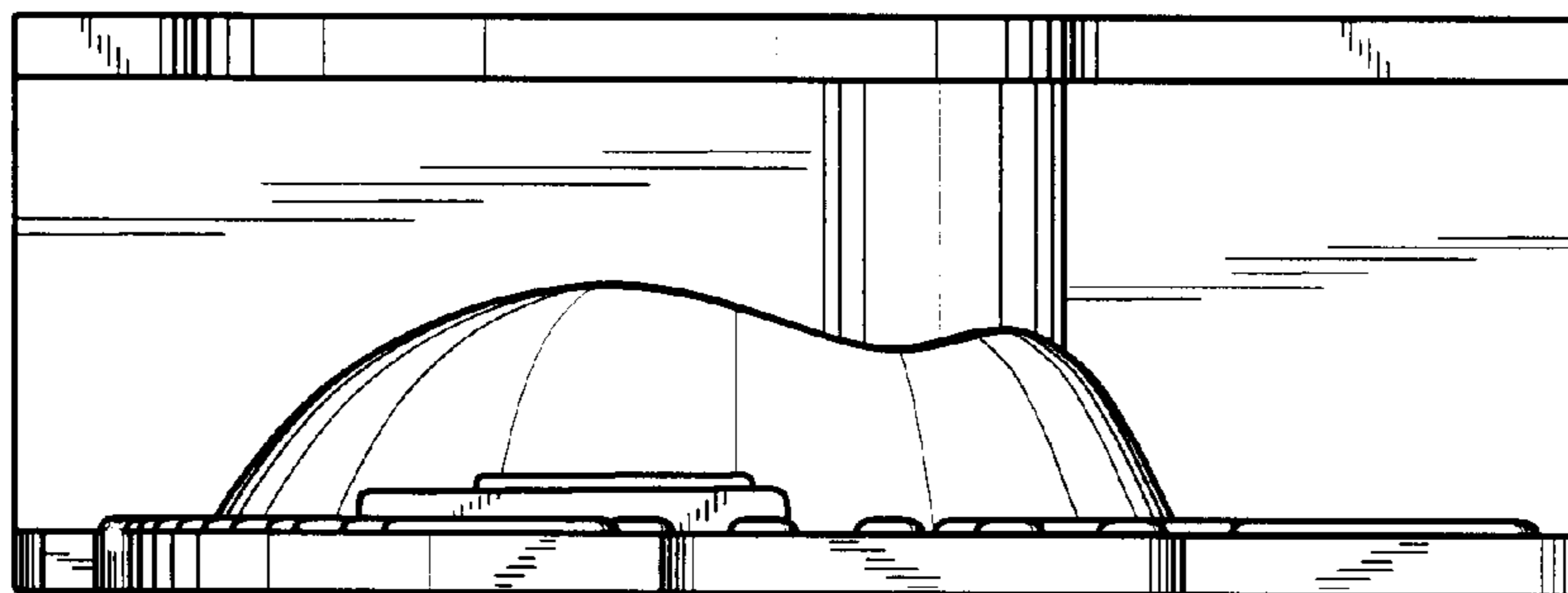


FIG. 4

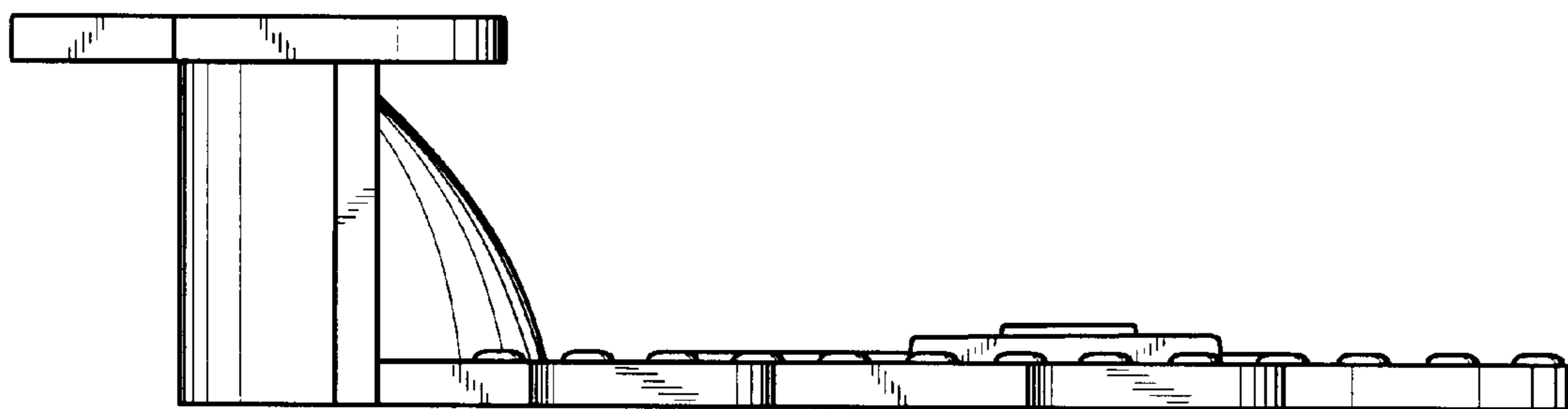


FIG. 5

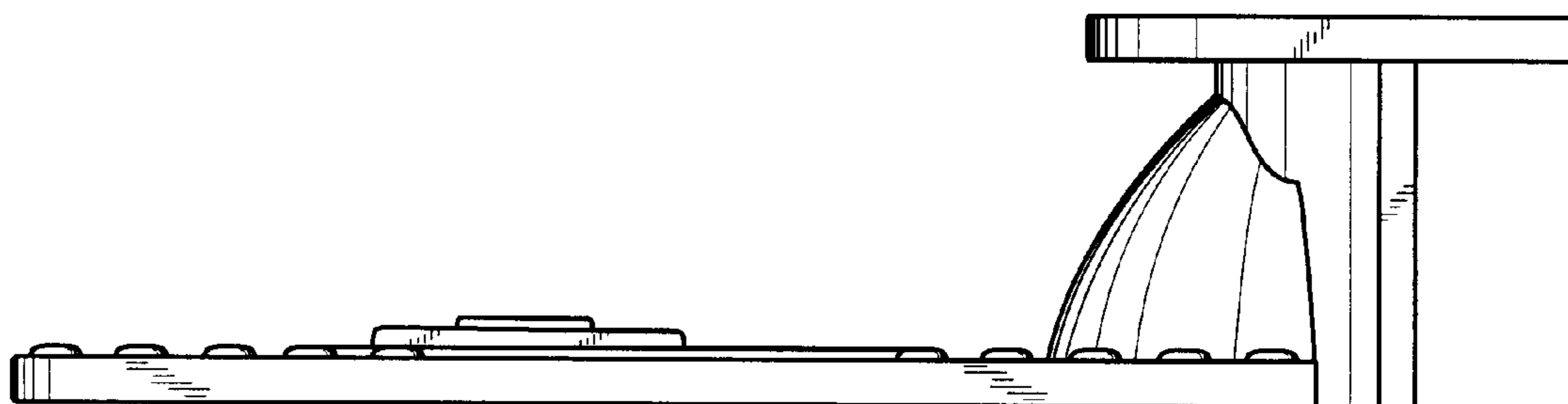


FIG. 6