



US00D539491S

(12) **United States Design Patent**
Kim

(10) **Patent No.:** **US D539,491 S**

(45) **Date of Patent:** **** Mar. 27, 2007**

(54) **CLEANER**

(75) Inventor: **Mi Kyung Kim**, Seoul (KR)

(73) Assignee: **Samsung Electronics Co., Ltd.** (KR)

(**) Term: **14 Years**

(21) Appl. No.: **29/229,047**

(22) Filed: **May 3, 2005**

(30) **Foreign Application Priority Data**

Mar. 16, 2005 (KR) 30-2005-0008487

(51) **LOC (8) Cl.** **15-05**

(52) **U.S. Cl.** **D32/21; D32/18**

(58) **Field of Classification Search** D32/15,
D32/17, 21, 23, 24, 31, 18; 15/320, 321,
15/327.1, 327.2, 327.4, 327.6, 327.7, 353,
15/329, 344; 134/105, 198, 21; 392/403;
8/149.3; 55/315, 428-429, 482, 472; 68/5 R,
68/5 A, 5 B, 222

See application file for complete search history.

(56) **References Cited**

U.S. PATENT DOCUMENTS

- D257,661 S * 12/1980 Gantz D32/18
- D288,015 S * 1/1987 Verdier et al. D32/18
- D290,417 S * 6/1987 Leung D32/18
- D298,874 S * 12/1988 Nakamura D32/18
- D304,104 S * 10/1989 Busalt et al. D32/18
- D308,267 S * 5/1990 Bradd D32/31
- D312,516 S * 11/1990 Yuen D32/18
- D375,820 S * 11/1996 Piccaluga et al. D32/22
- D430,961 S * 9/2000 Bobrosky et al. D32/22
- D435,945 S * 1/2001 Ikeno et al. D32/22

- D437,666 S * 2/2001 Park D32/22
- D439,379 S * 3/2001 Gammack et al. D32/22
- D448,895 S * 10/2001 Andreas D32/18
- D462,813 S * 9/2002 Nakano et al. D32/22
- D478,196 S * 8/2003 Kim et al. D32/22
- D495,454 S * 8/2004 Lee D32/18
- D501,965 S * 2/2005 Ikeno et al. D32/22
- D507,085 S * 7/2005 Griffin D32/18
- D510,465 S * 10/2005 Takahashi et al. D32/22
- D511,598 S * 11/2005 Snowball D32/18

* cited by examiner

Primary Examiner—Ruth McInroy

(74) *Attorney, Agent, or Firm*—Irving Keschner

(57) **CLAIM**

The ornamental design for cleaner, as shown.

DESCRIPTION

FIG. 1 is a front perspective view of the ornamental design of the present invention;

FIG. 2 is a front elevational view of the ornamental design of the present invention;

FIG. 3 is a rear elevational view of the ornamental design of the present invention;

FIG. 4 is a left side elevational view of the ornamental design of the present invention;

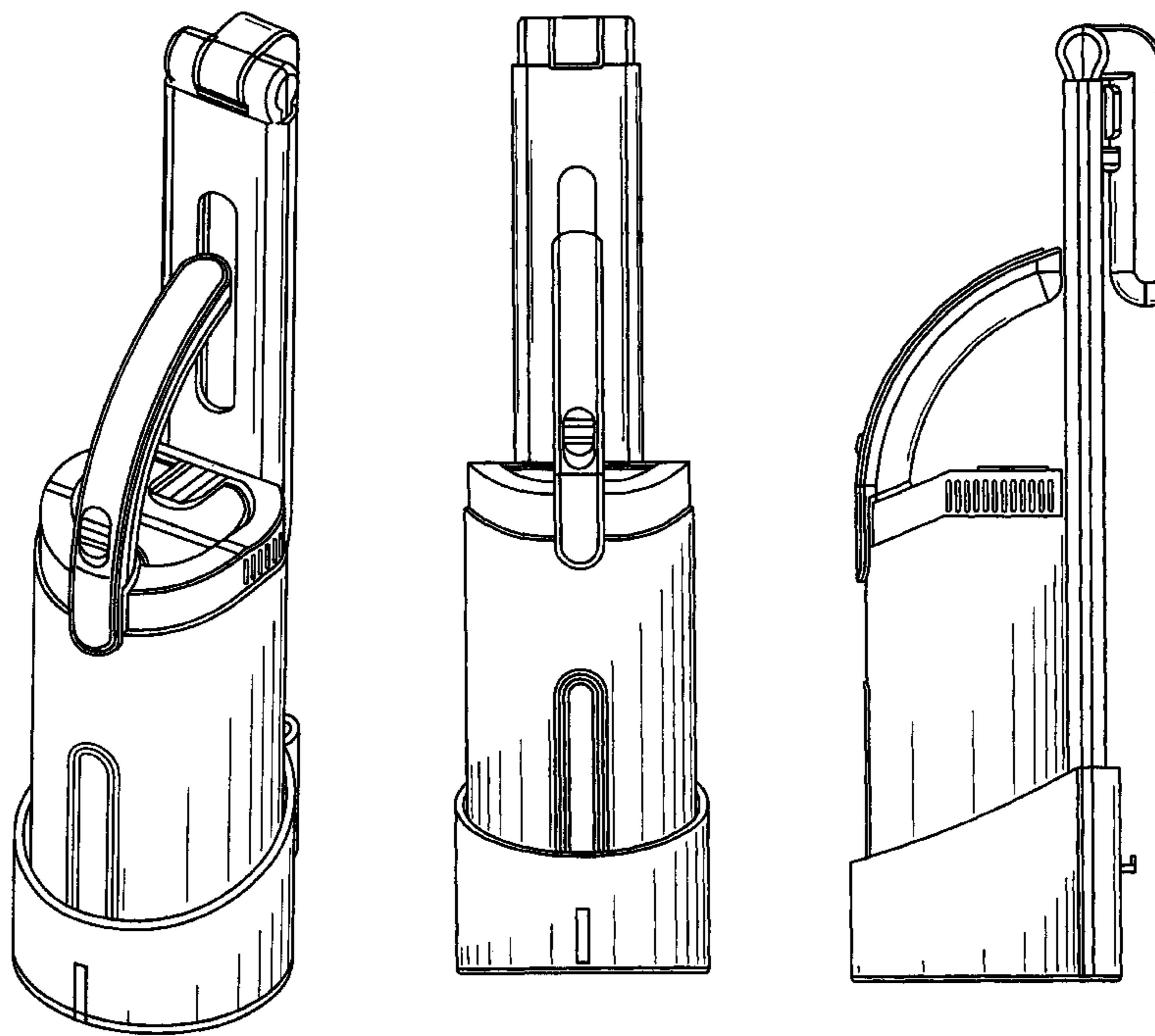
FIG. 5 is a right side elevational view of the ornamental design of the present invention;

FIG. 6 is a top plan view of the ornamental design of the present invention;

FIG. 7 is a bottom view of the ornamental design of the present invention; and,

FIG. 8 is a rear perspective view of the ornamental design of the present invention.

1 Claim, 5 Drawing Sheets



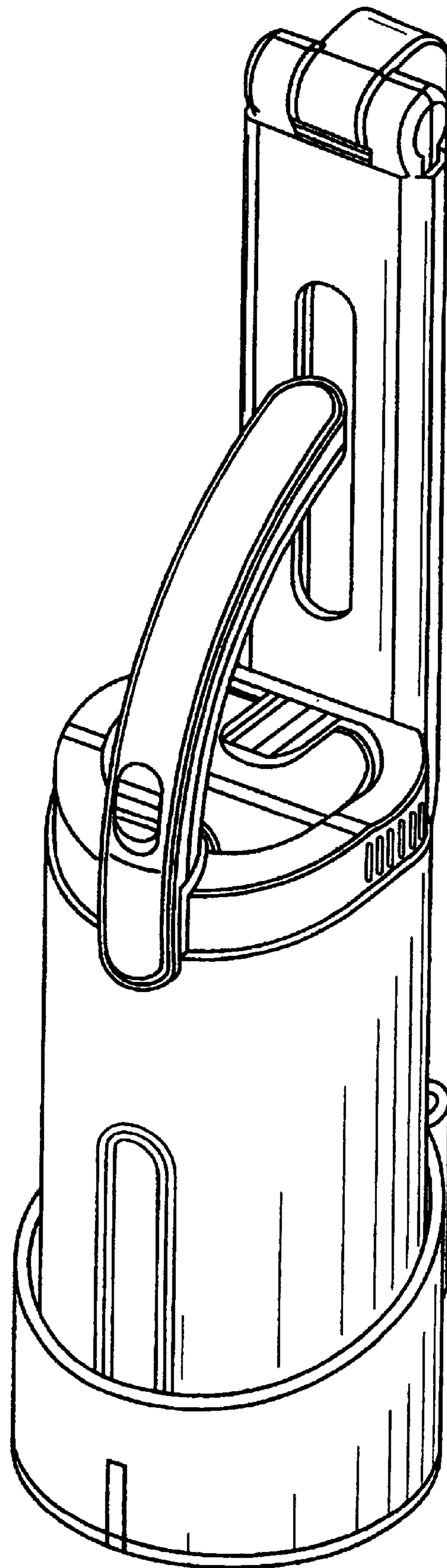


FIG. 1

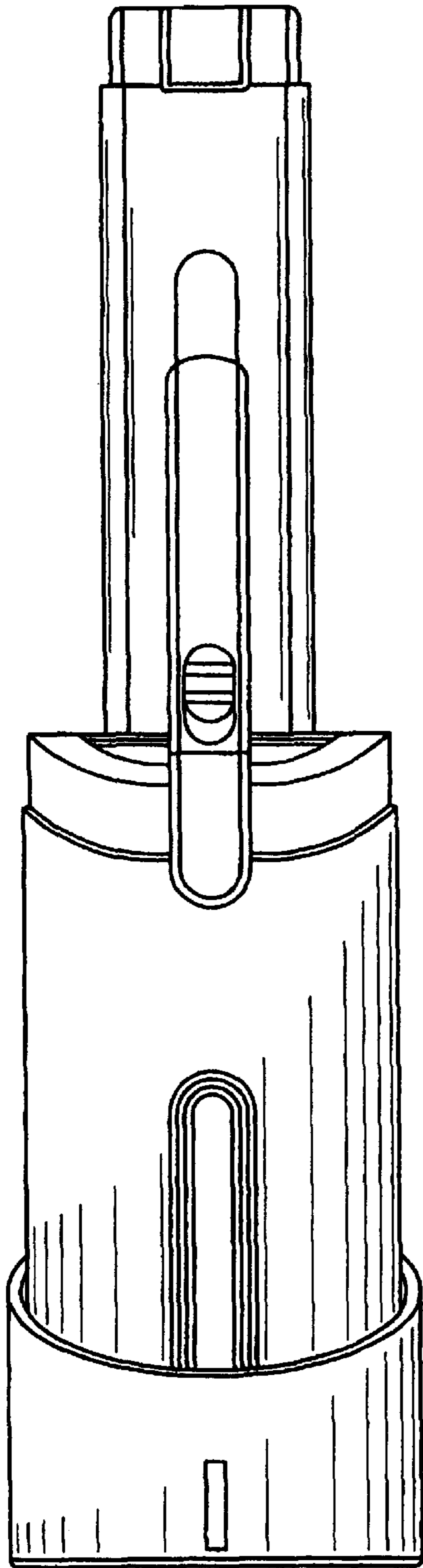


FIG. 2

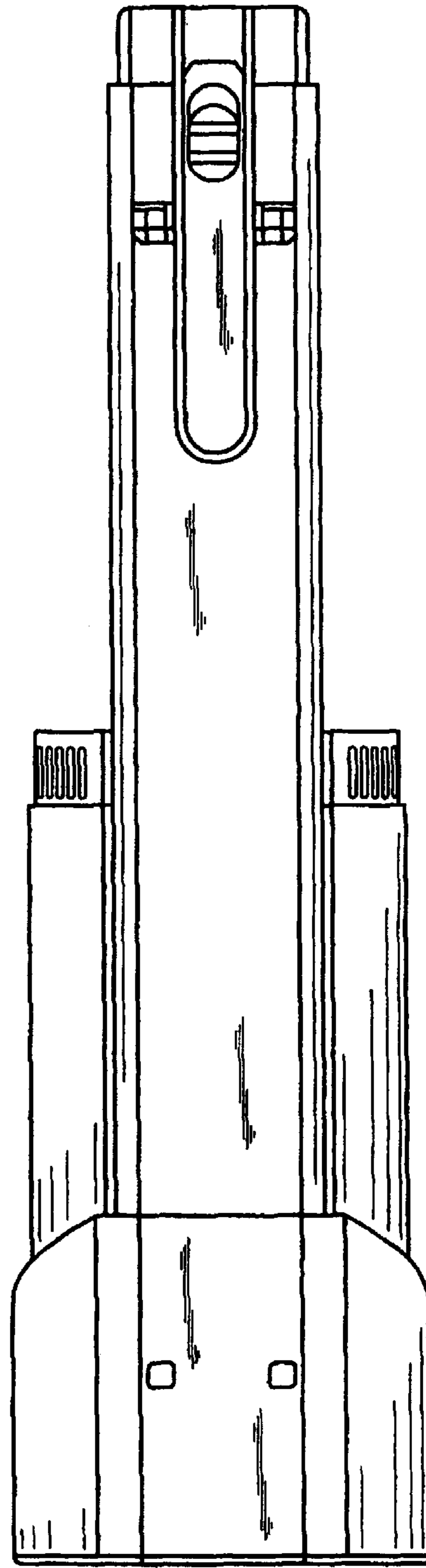


FIG. 3

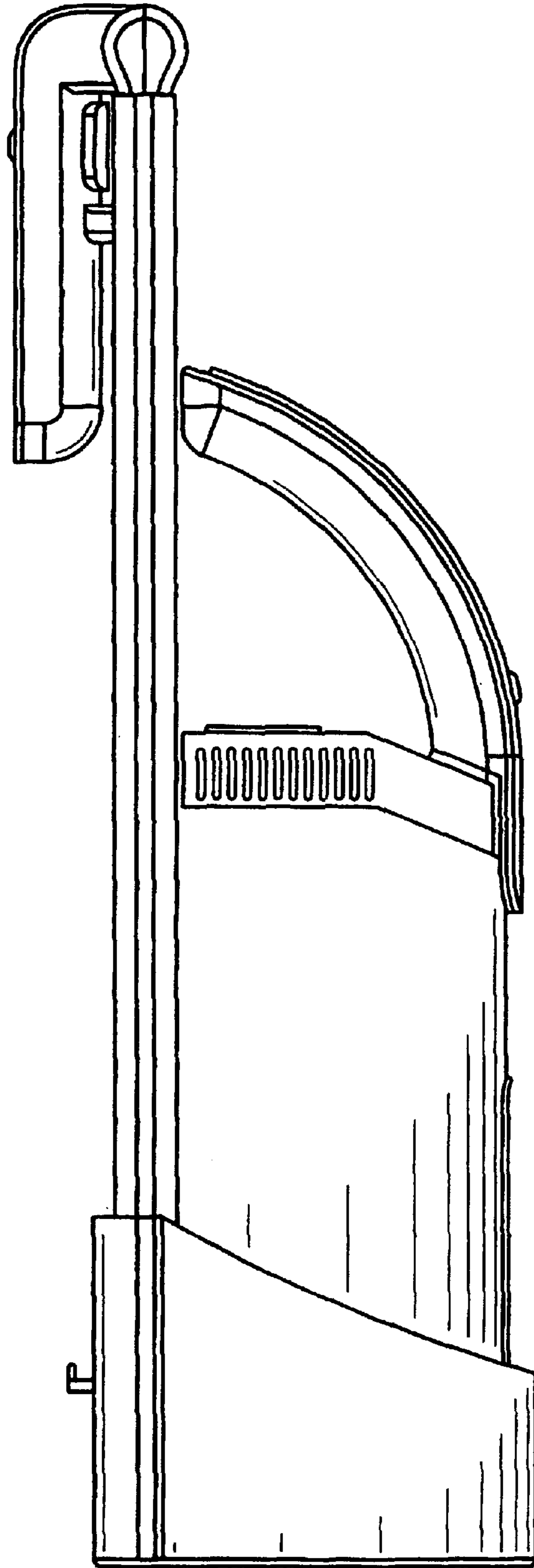


FIG. 4

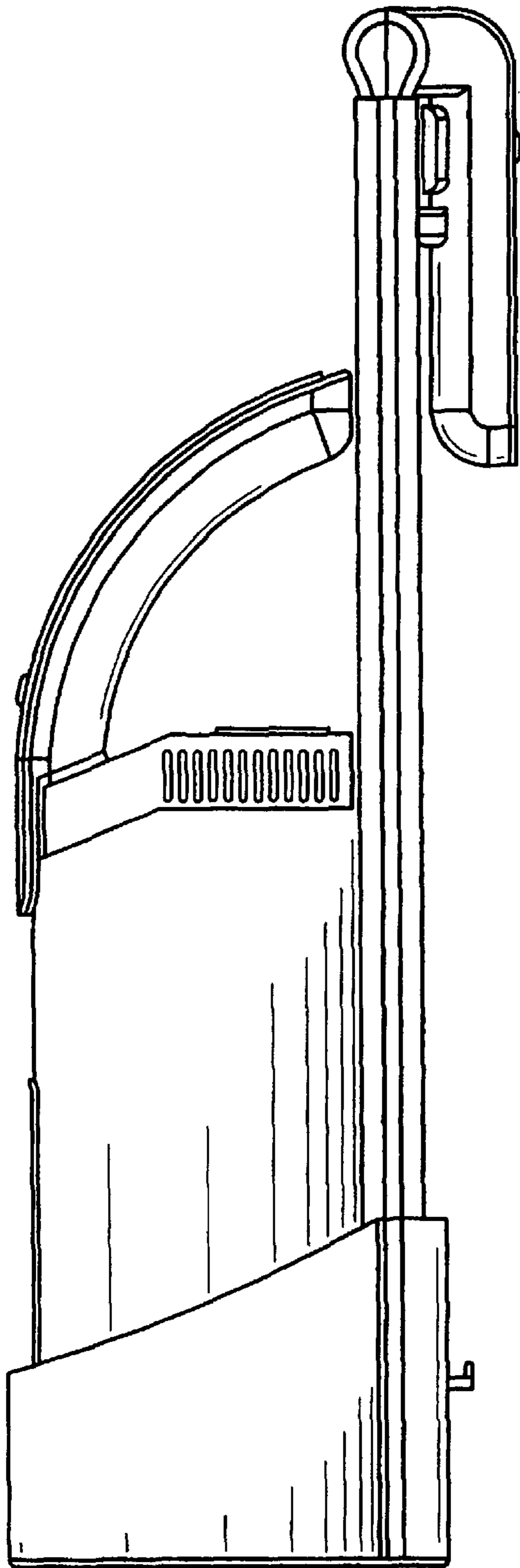


FIG. 5

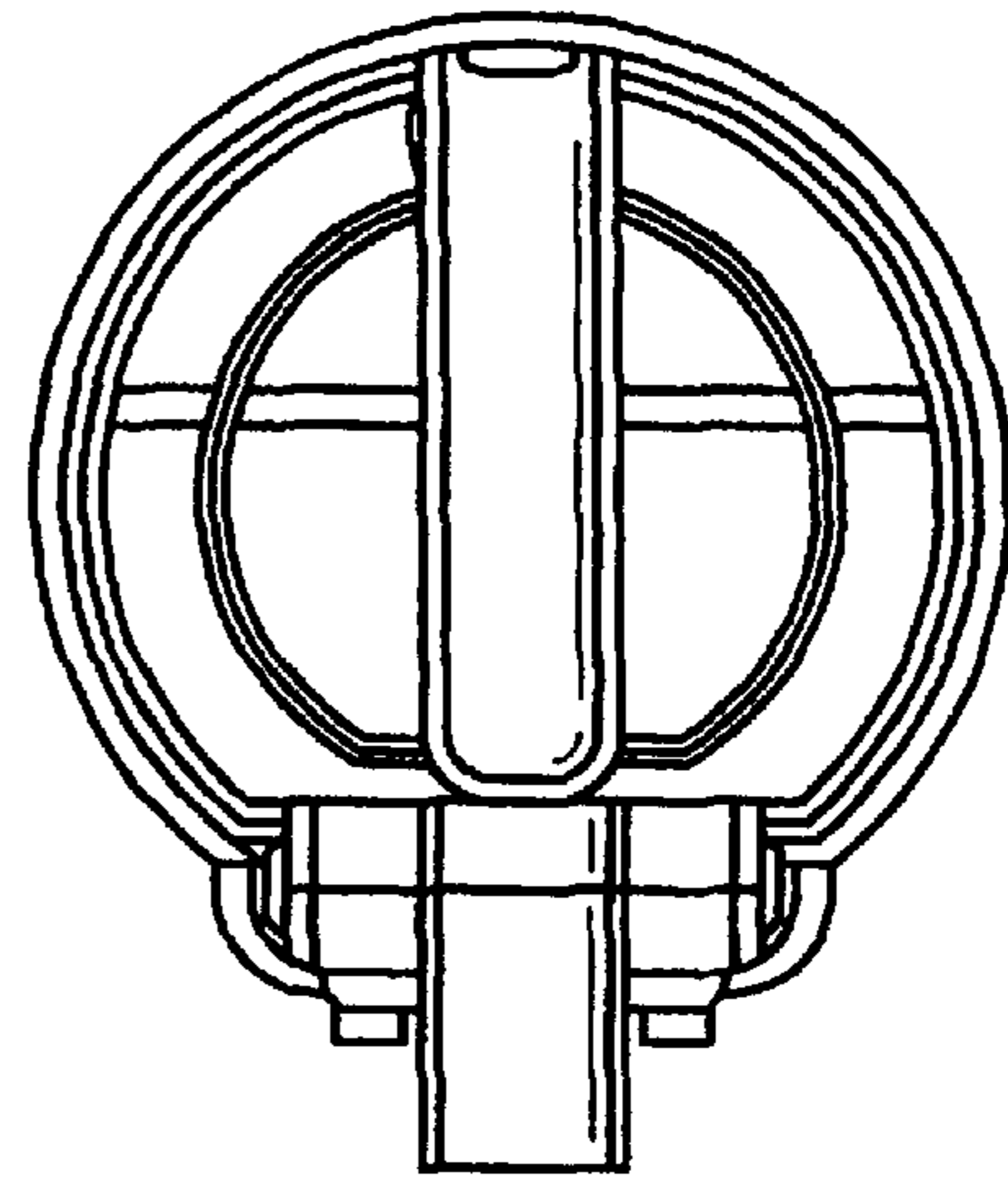


FIG. 6

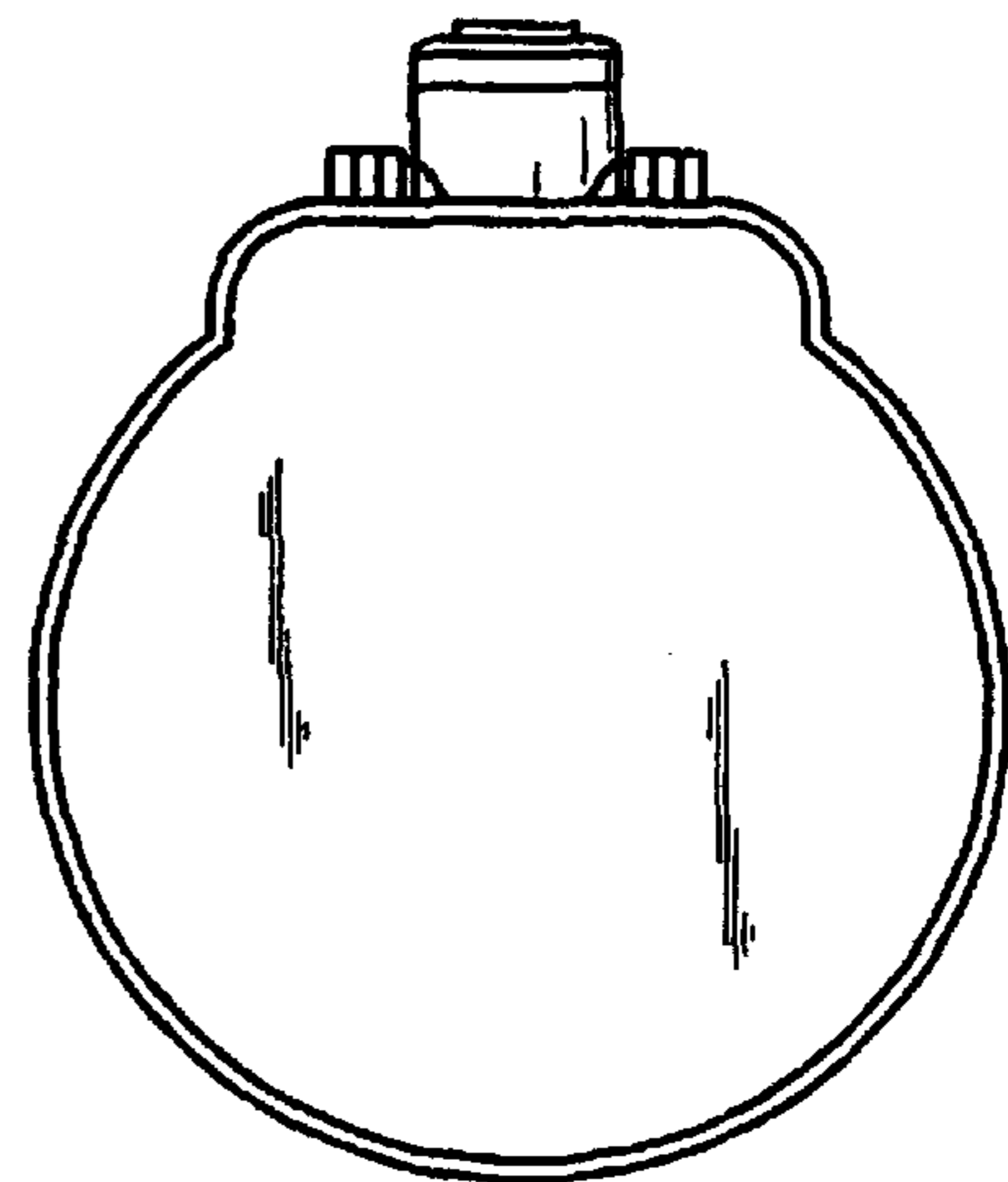


FIG. 7

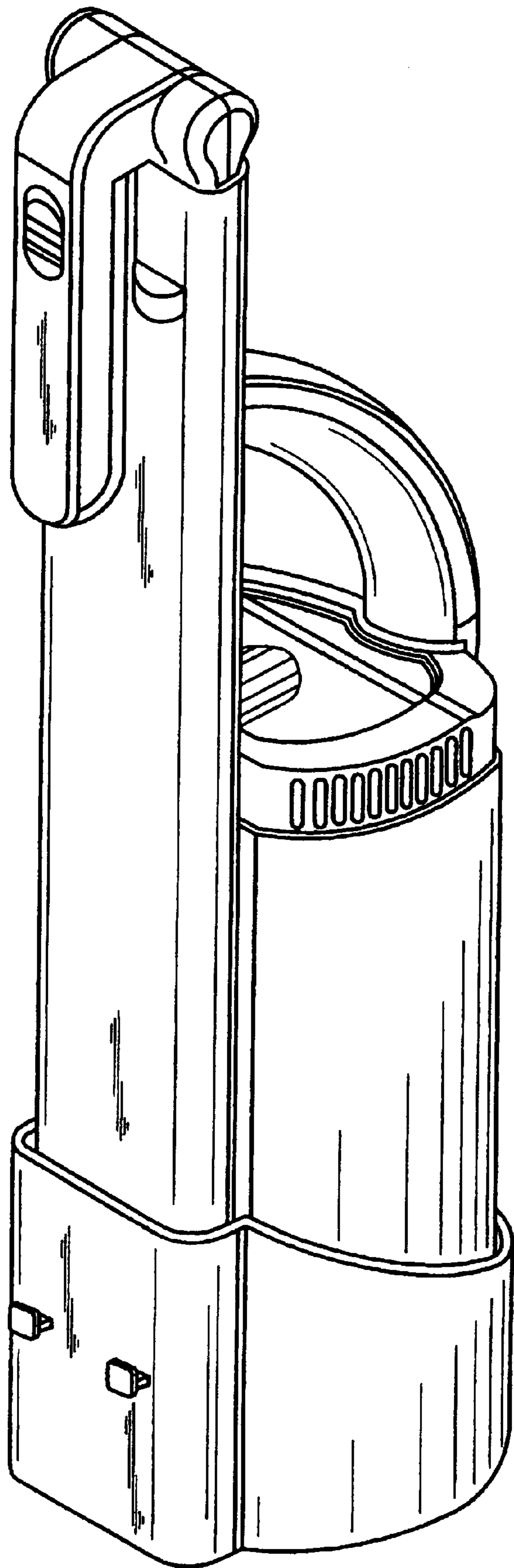


FIG. 8