

US00D539490S

(12) **United States Design Patent**
Sans Rovira et al.

(10) **Patent No.:** **US D539,490 S**

(45) **Date of Patent:** **** Mar. 27, 2007**

(54) **WASHING MACHINE**

(75) Inventors: **Ramon Sans Rovira**, Tona (ES); **Ignasi Riera Curcoll**, Torelló (ES)

(73) Assignee: **Girbau S.A.**, Vic (ES)

(**) Term: **14 Years**

(21) Appl. No.: **29/243,470**

(22) Filed: **Nov. 23, 2005**

(51) **LOC (8) Cl.** **15-05**

(52) **U.S. Cl.** **D32/6**

(58) **Field of Classification Search** 68/3 R,
68/4, 5, 12.01, 12.08, 212, 139; 34/58, 109,
34/130-132, 417, 499, 523, 534, 600, 603,
34/108; D32/1, 5, 6, 10, 25, 28, 58, 8; 312/31;
38/1 A

See application file for complete search history.

(56) **References Cited**

U.S. PATENT DOCUMENTS

D220,403 S	*	4/1971	Tipps	D32/11
3,899,204 A	*	8/1975	Ulrich	292/336.3
D271,148 S	*	10/1983	Krebs	D32/6
4,663,538 A	*	5/1987	Cotton et al.	307/38
D301,781 S		6/1989	Bover		
D301,782 S		6/1989	Bover		
D320,877 S	*	10/1991	Renzacci	D32/6
D340,785 S		10/1993	Bover		
D360,501 S		7/1995	Ertz et al.		
D426,685 S		6/2000	Sans Rovira		
D444,602 S	*	7/2001	Saimen	D32/5
D450,164 S		11/2001	Dyson et al.		
D477,898 S		7/2003	Geyer		
D514,756 S	*	2/2006	Kirk et al.	D32/6

* cited by examiner

Primary Examiner—Louis S. Zarfes

Assistant Examiner—Kathleen Sims

(74) *Attorney, Agent, or Firm*—RatnerPrestia

(57) **CLAIM**

The ornamental design for a washing machine, as shown and described.

DESCRIPTION

FIG. 1 is a front perspective view of a first embodiment of my new design;

FIG. 2 is a left side view of the first embodiment of my new design;

FIG. 3 is a right side view of the first embodiment of my new design;

FIG. 4 is a rear view of the first embodiment of my new design;

FIG. 5 is a top view of the first embodiment of my new design;

FIG. 6 is a bottom view of the first embodiment of my new design;

FIG. 7 is a front perspective view of a second embodiment of my new design;

FIG. 8 is a left side view thereof;

FIG. 9 is a right side view thereof;

FIG. 10 is a rear view thereof;

FIG. 11 is a top view thereof;

FIG. 12 is a bottom view thereof;

FIG. 13 is a front perspective view of a third embodiment of my new design;

FIG. 14 is a left side view thereof;

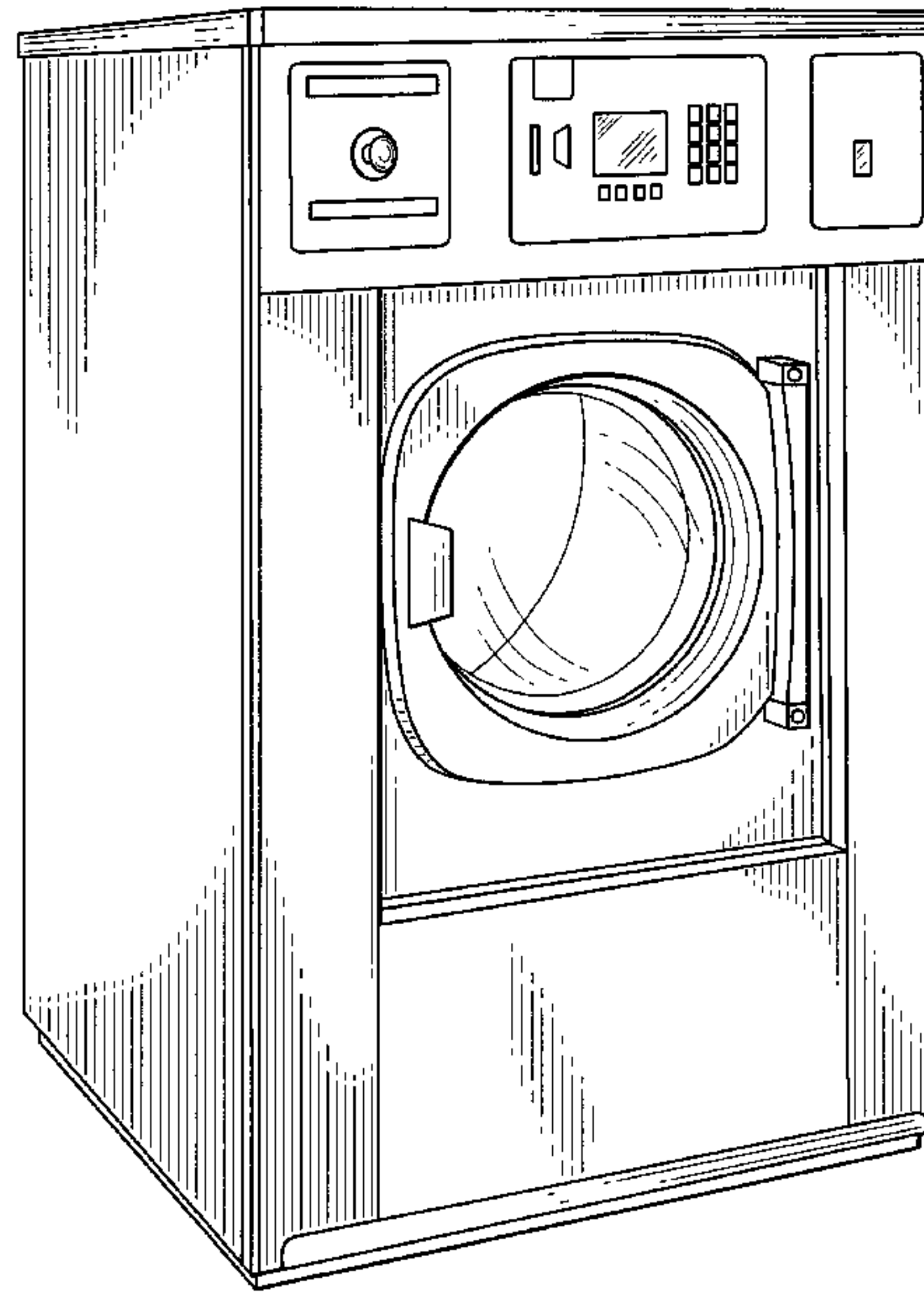
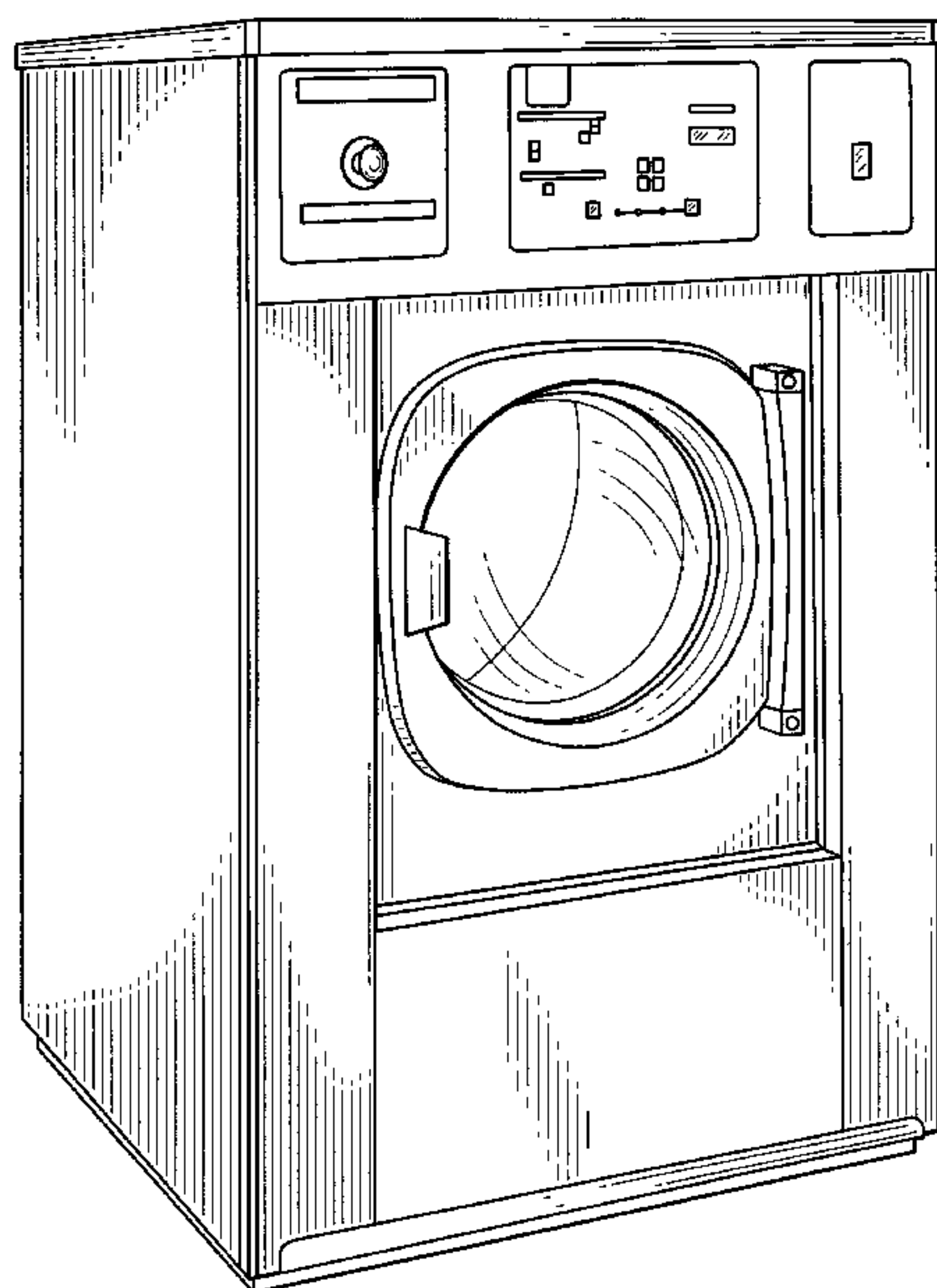
FIG. 15 is a right side view thereof;

FIG. 16 is a rear view thereof;

FIG. 17 is a top view thereof; and,

FIG. 18 is a bottom view thereof.

1 Claim, 18 Drawing Sheets



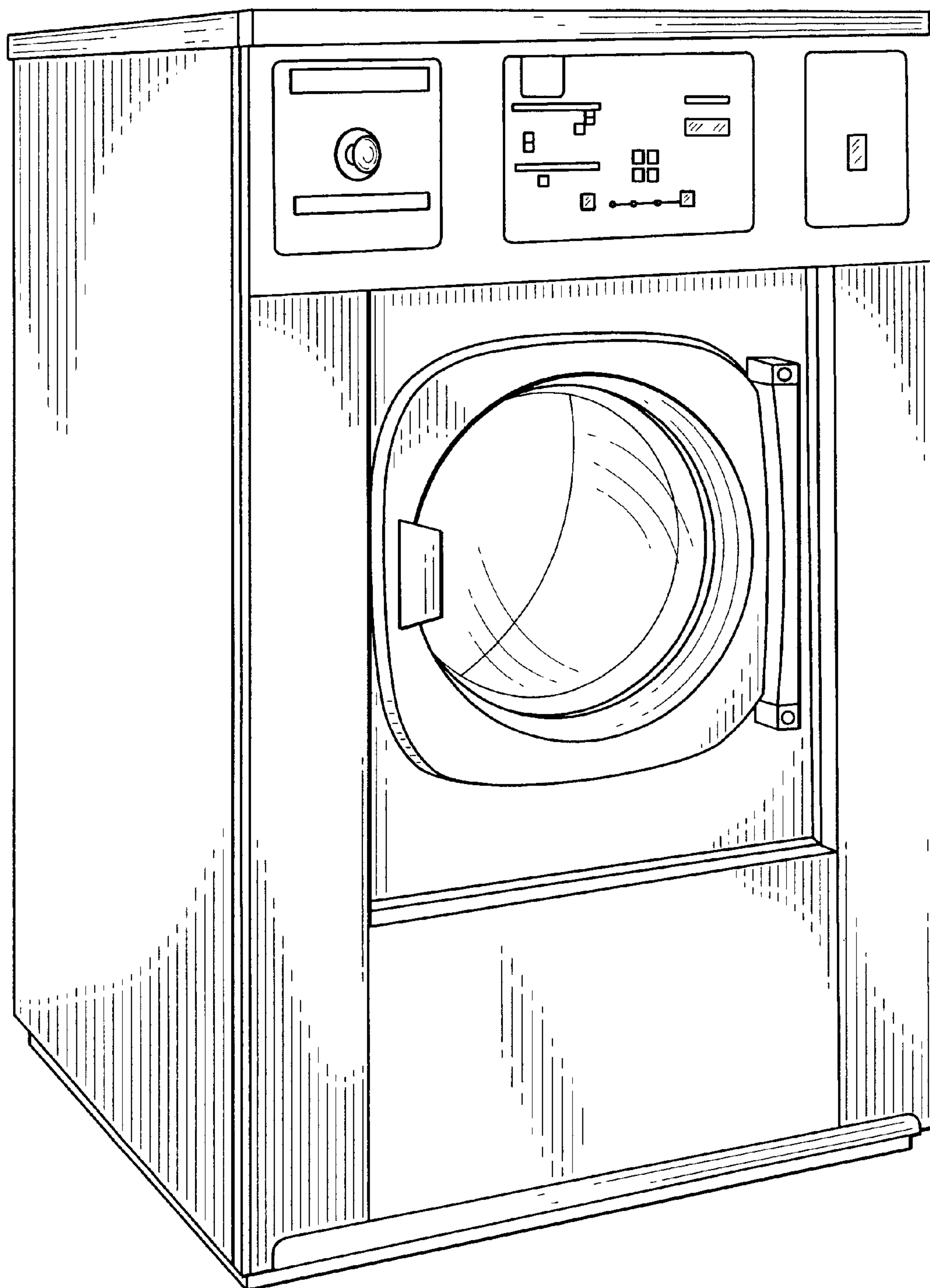


FIG. 1

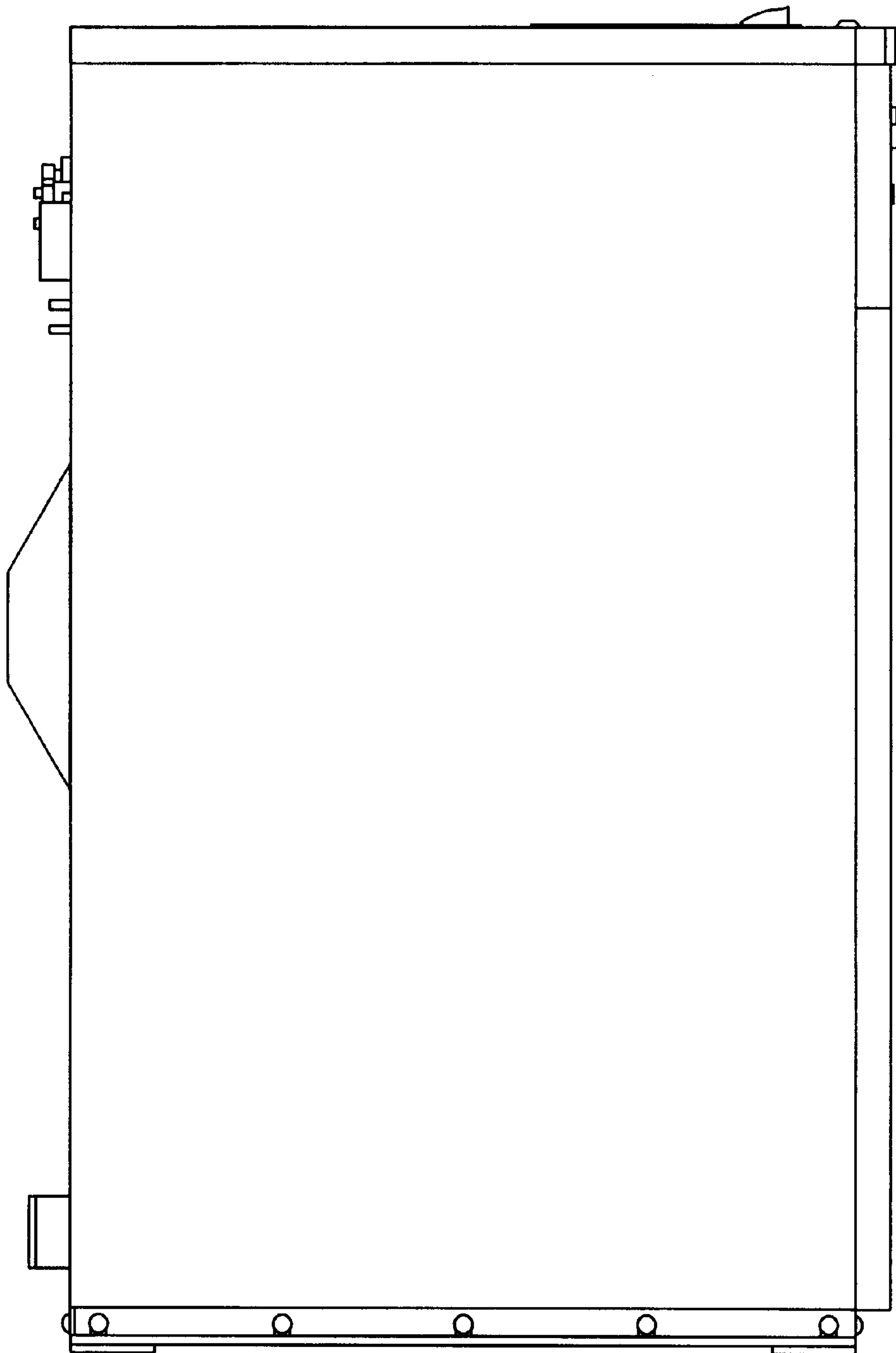


FIG. 2

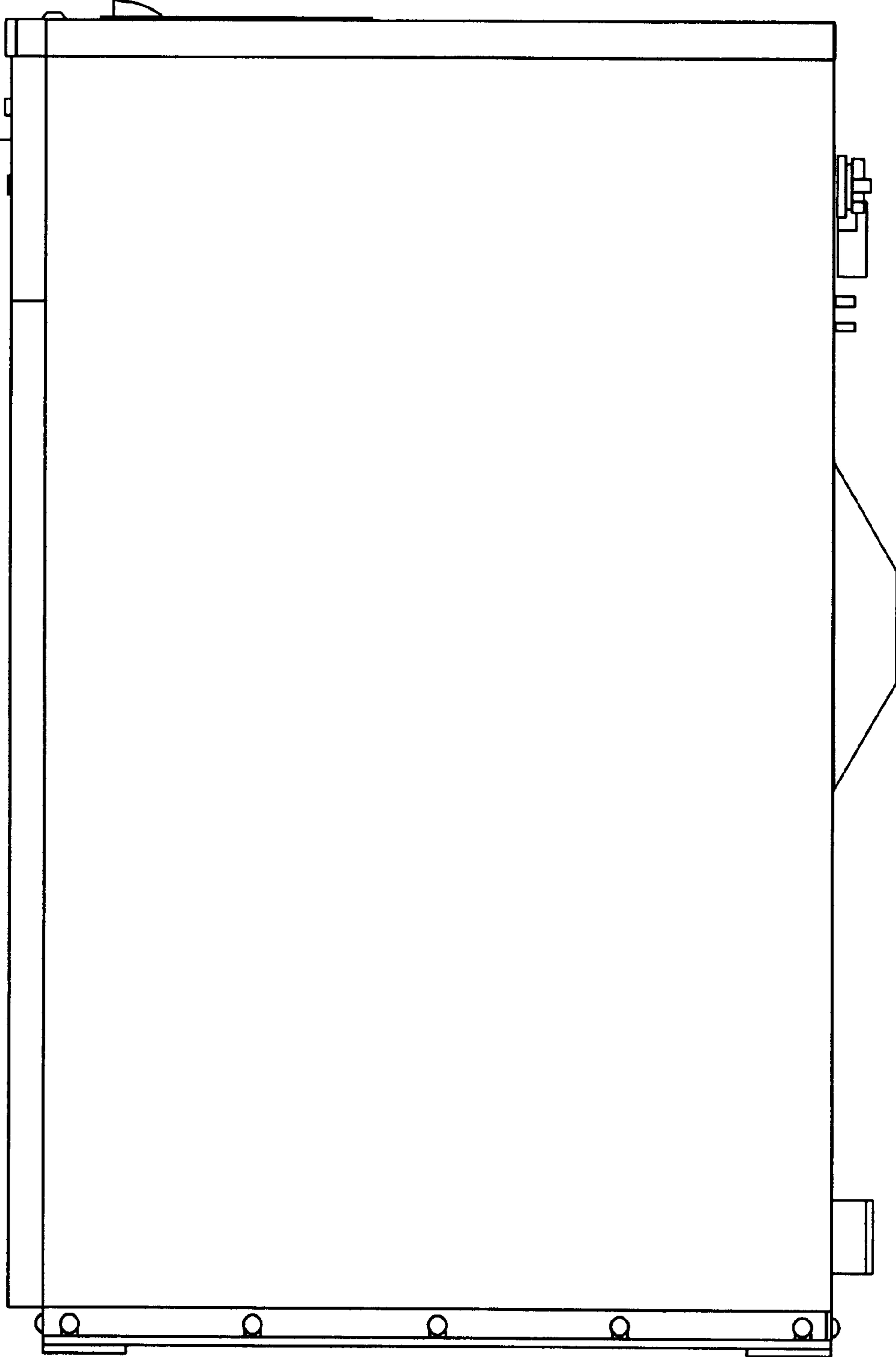


FIG. 3

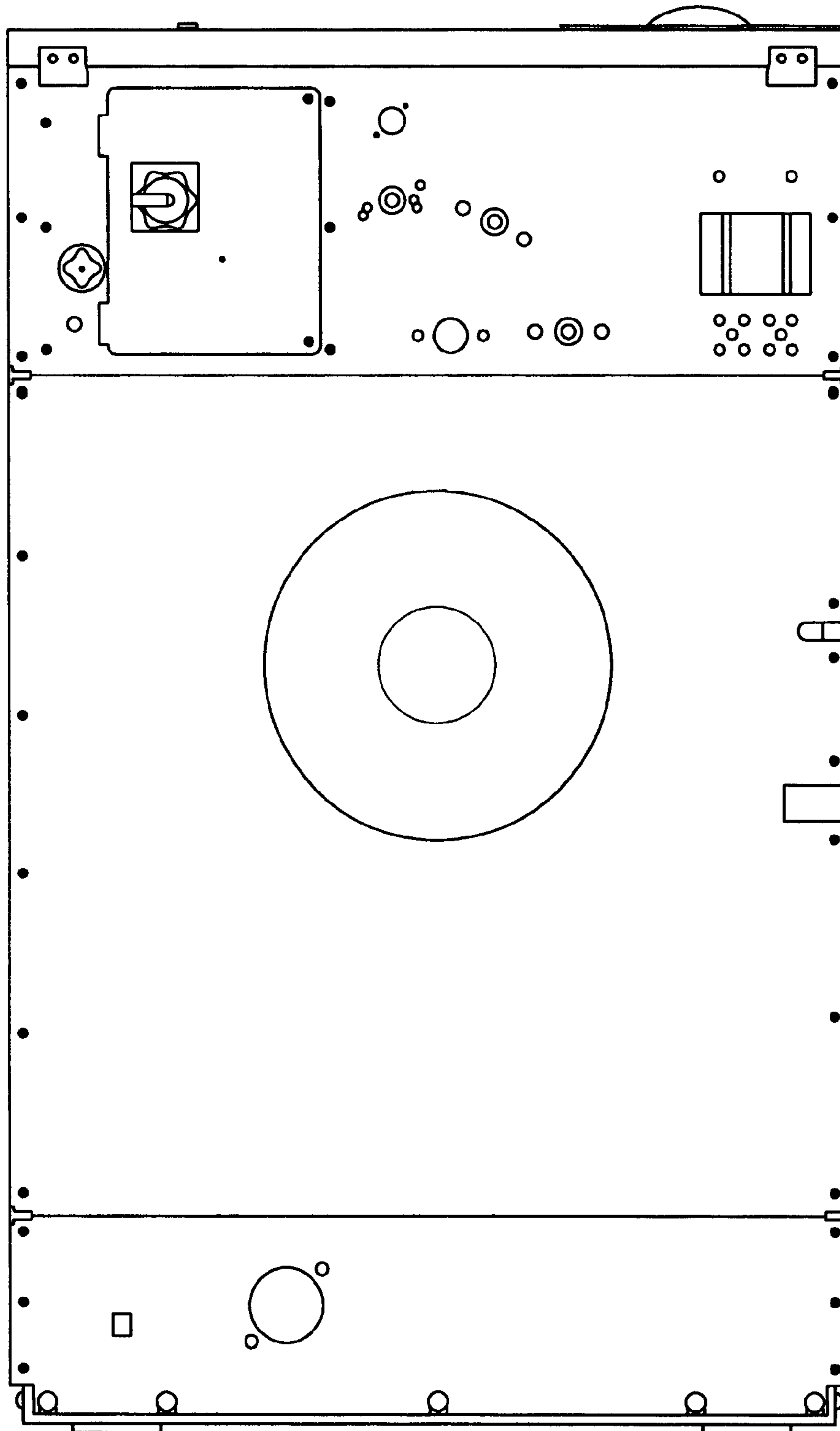


FIG. 4

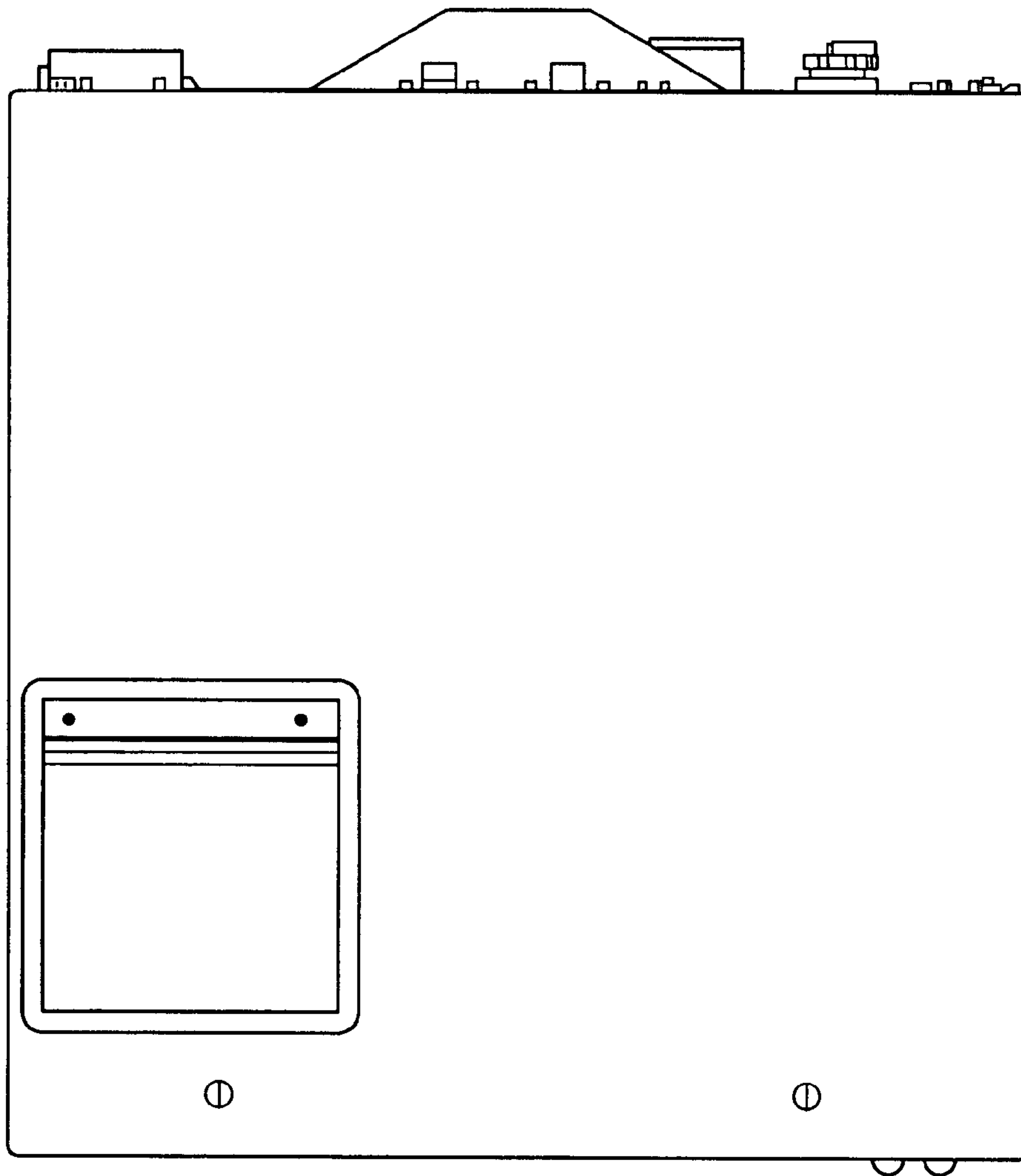


FIG. 5

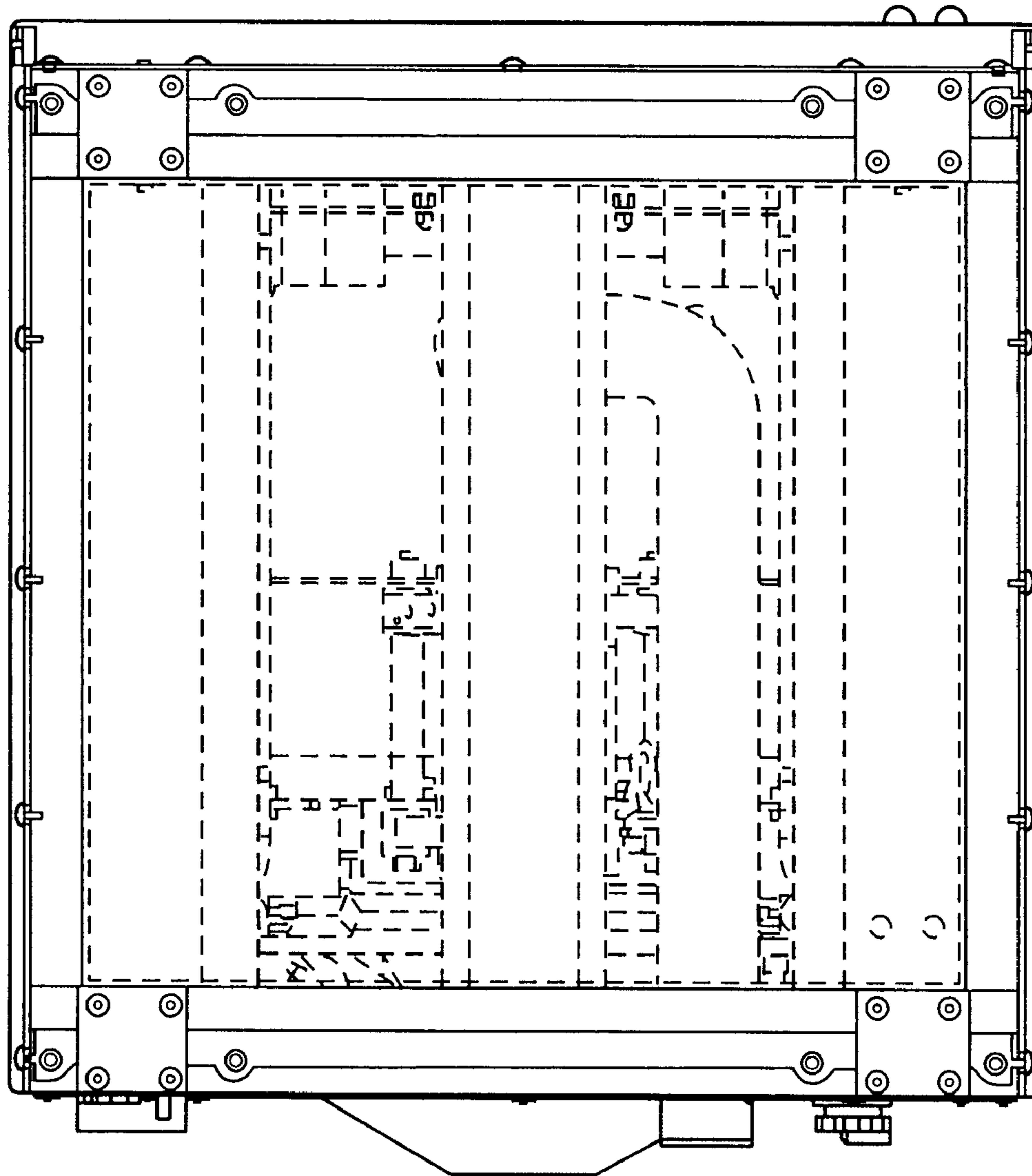


FIG. 6

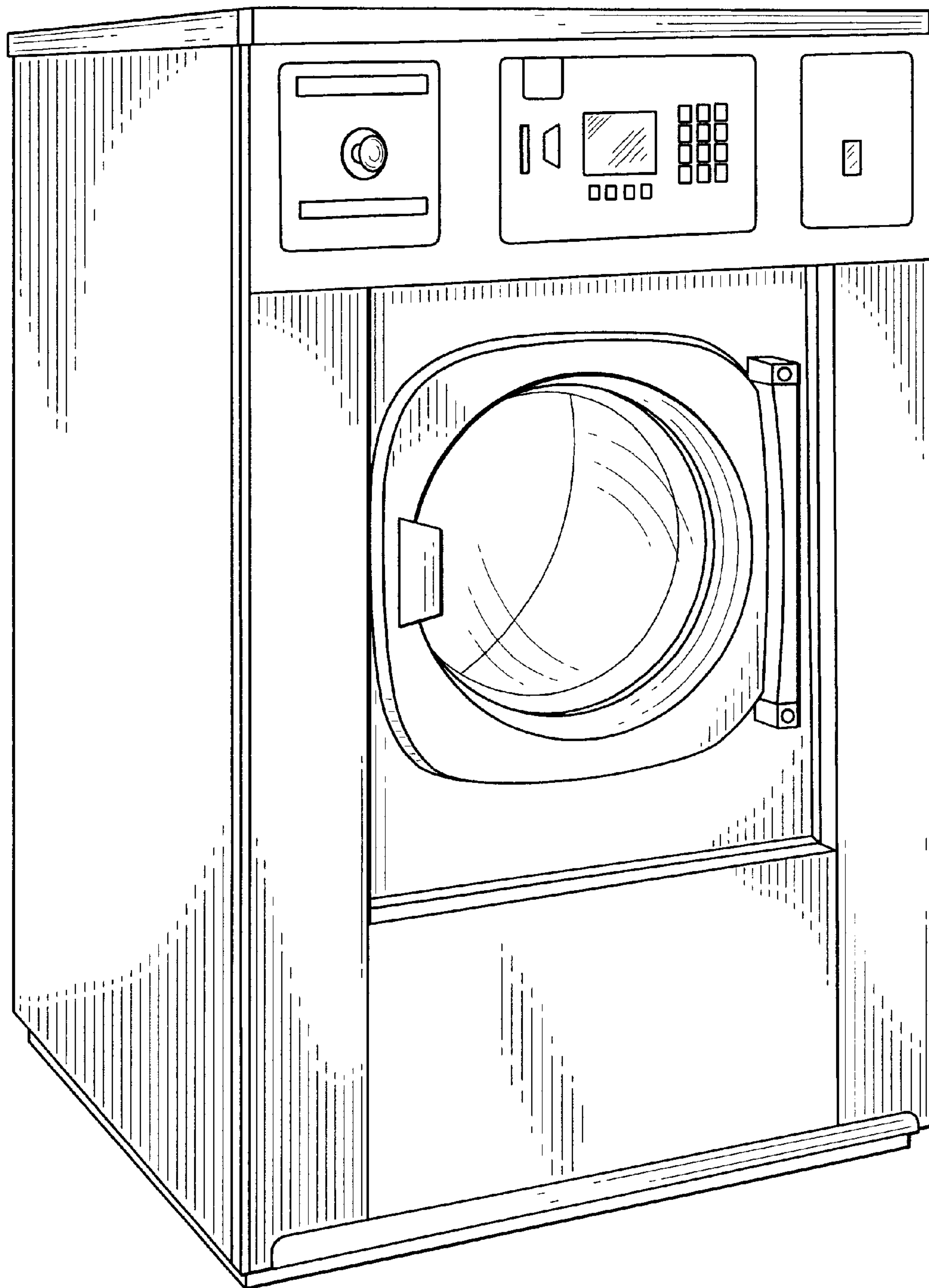


FIG. 7

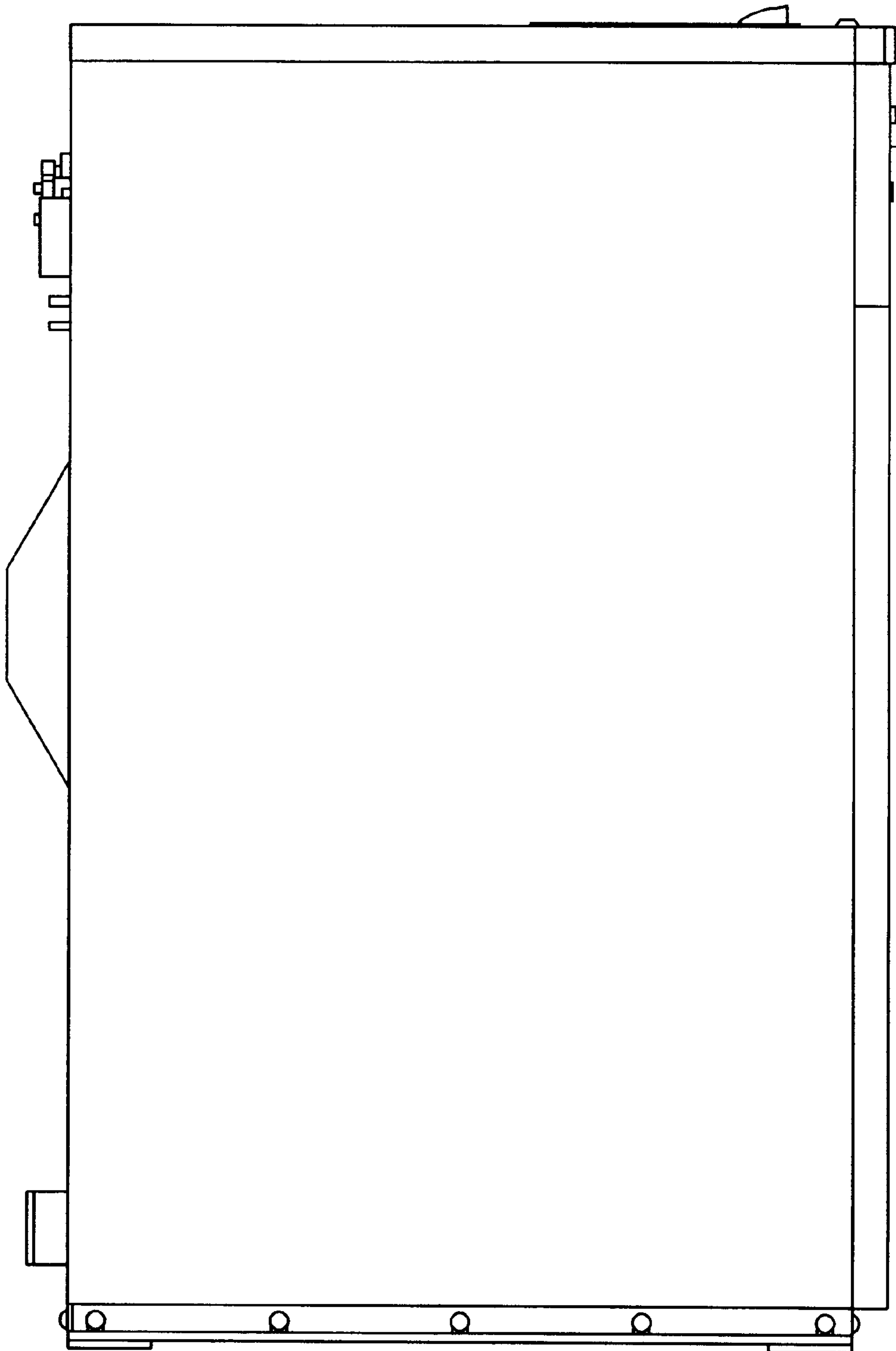


FIG. 8

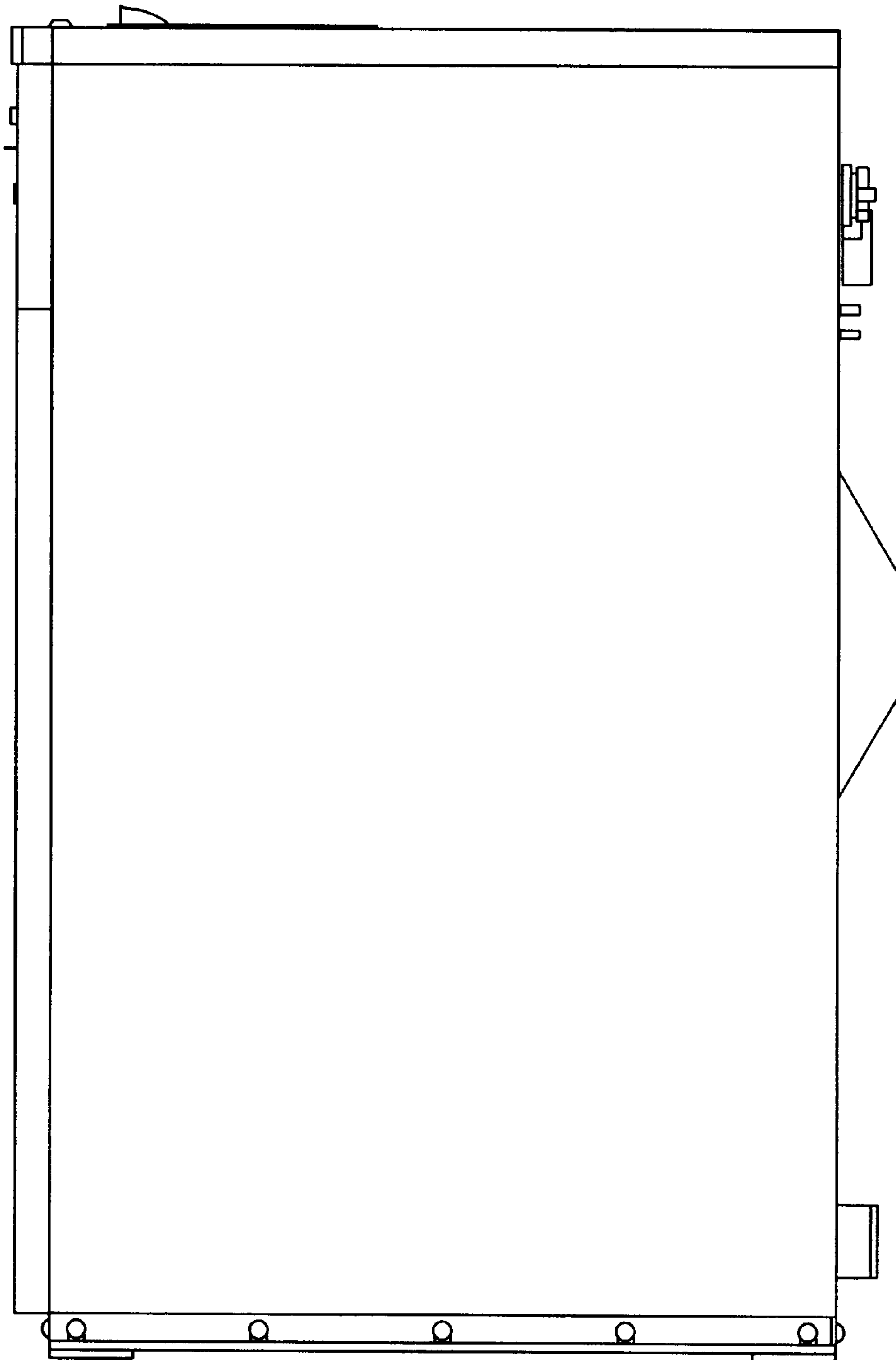


FIG. 9

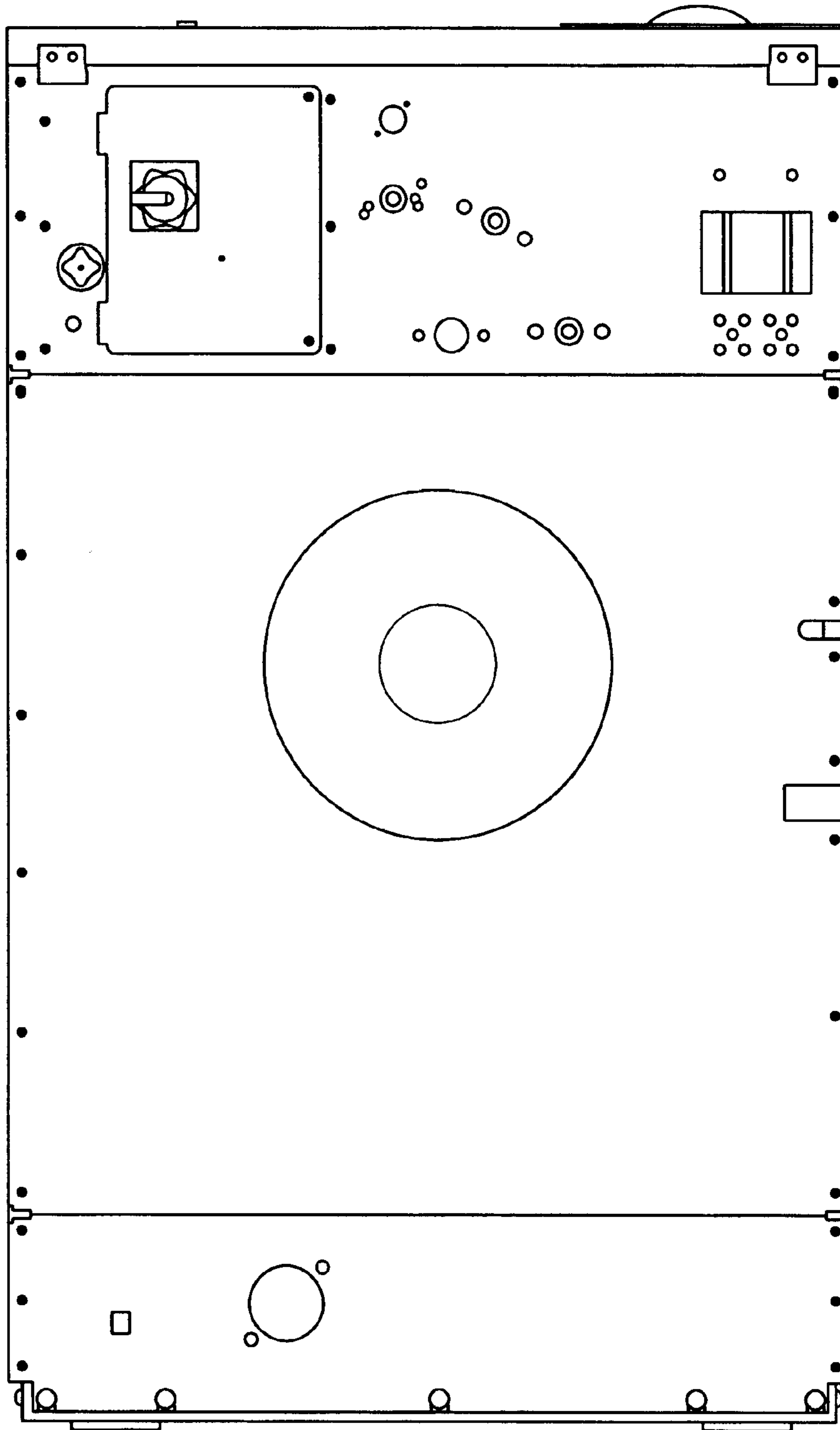


FIG. 10

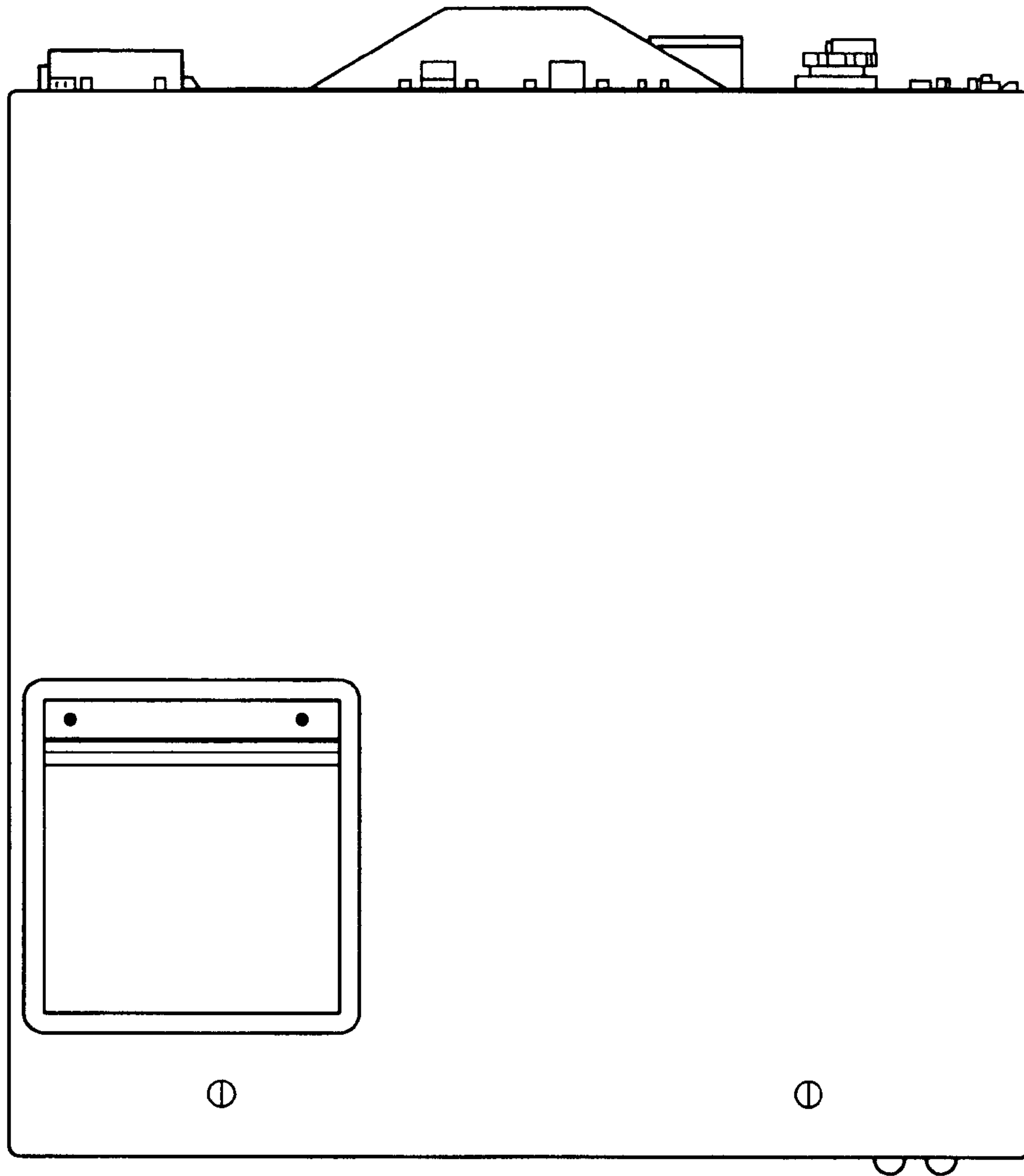


FIG. 11

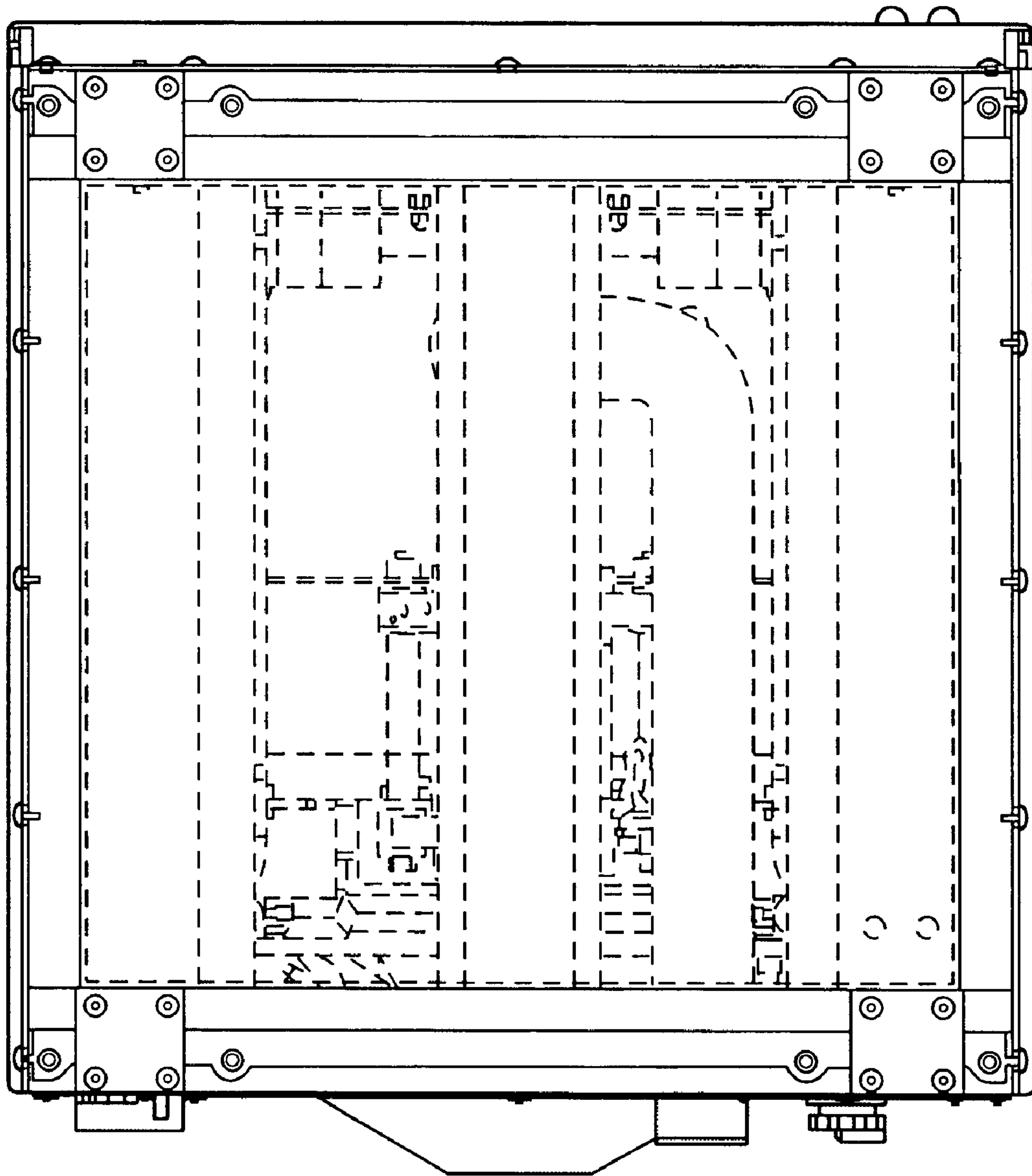


FIG. 12

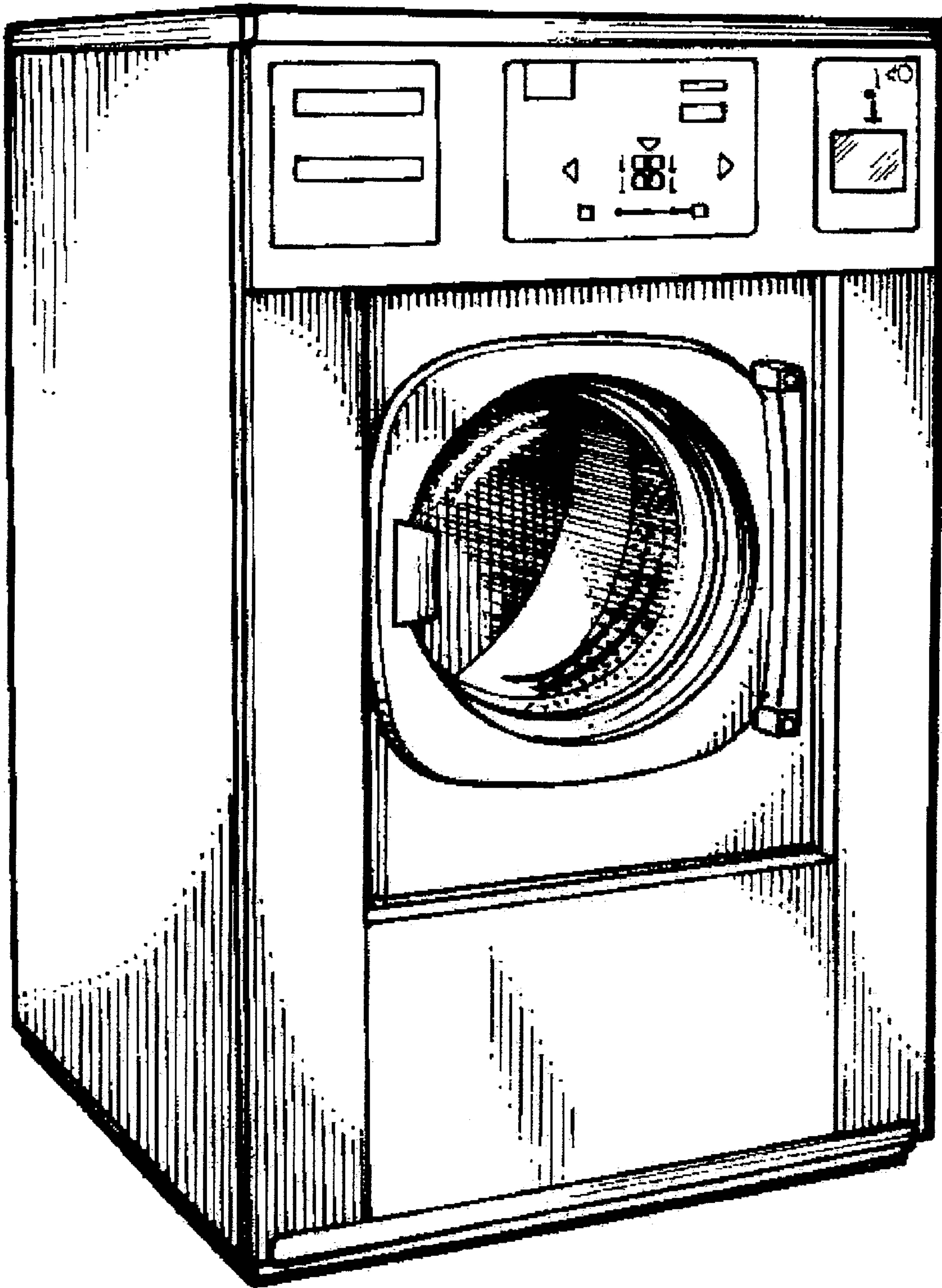


Fig. 13

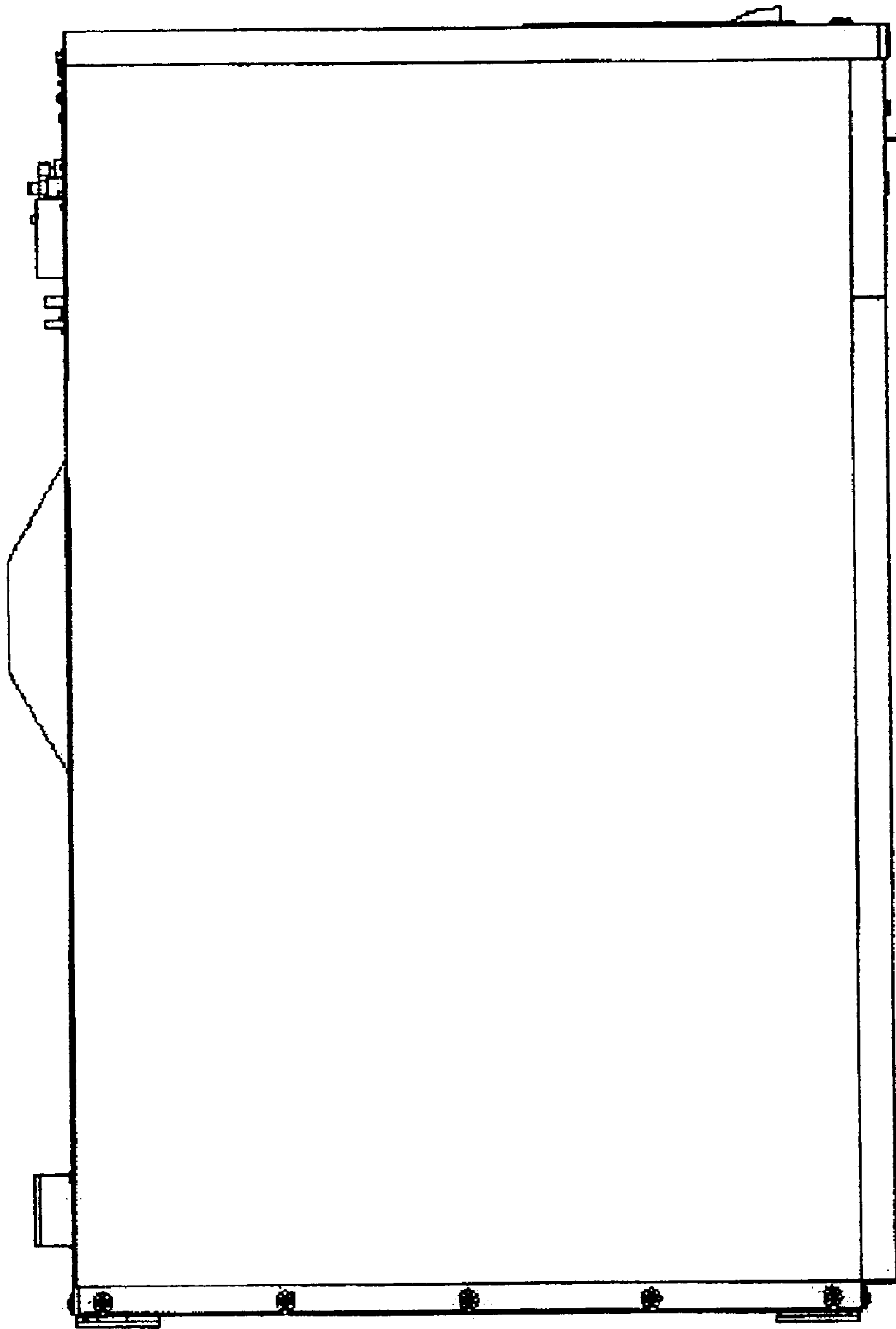


Fig. 14

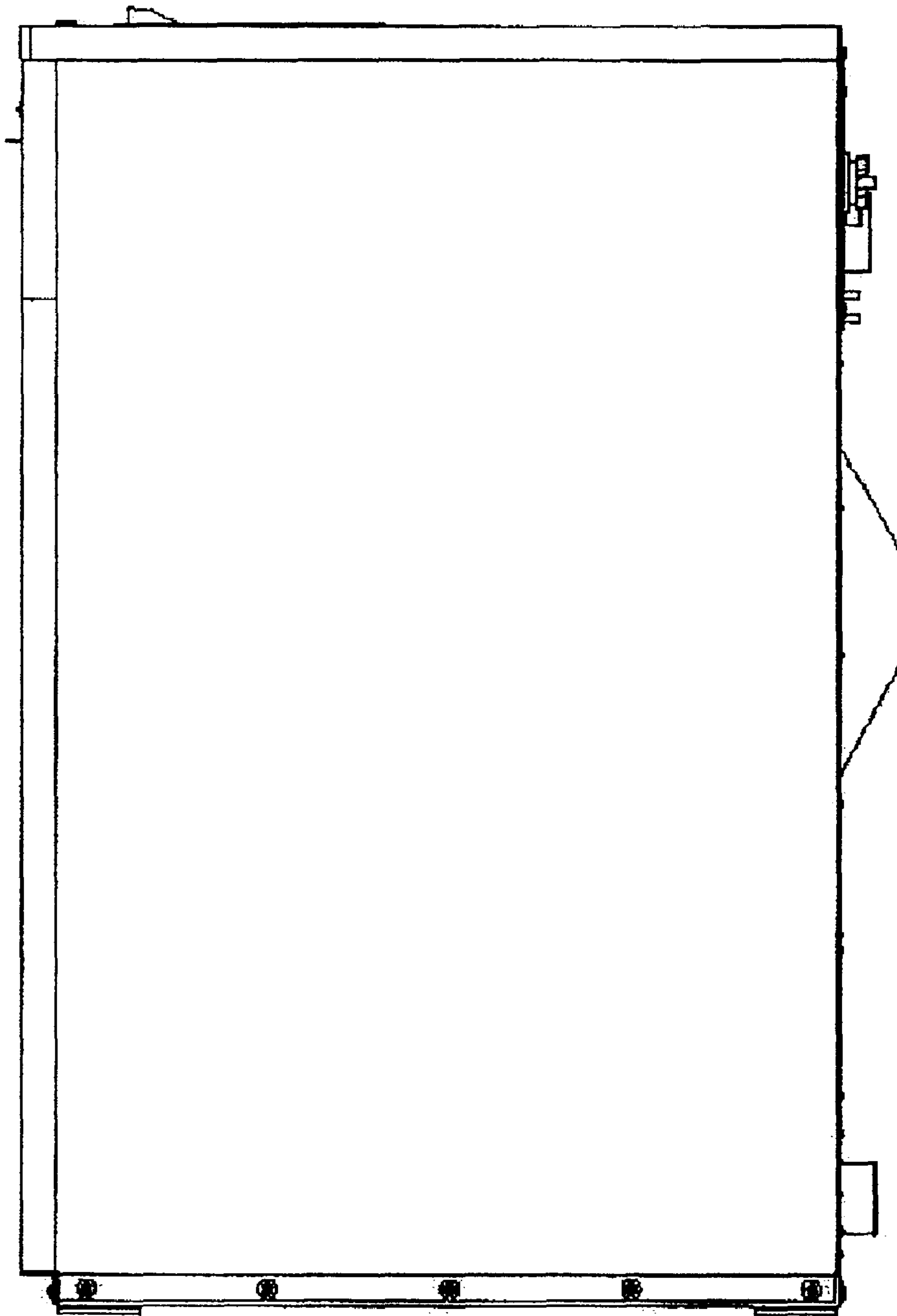


Fig. 15

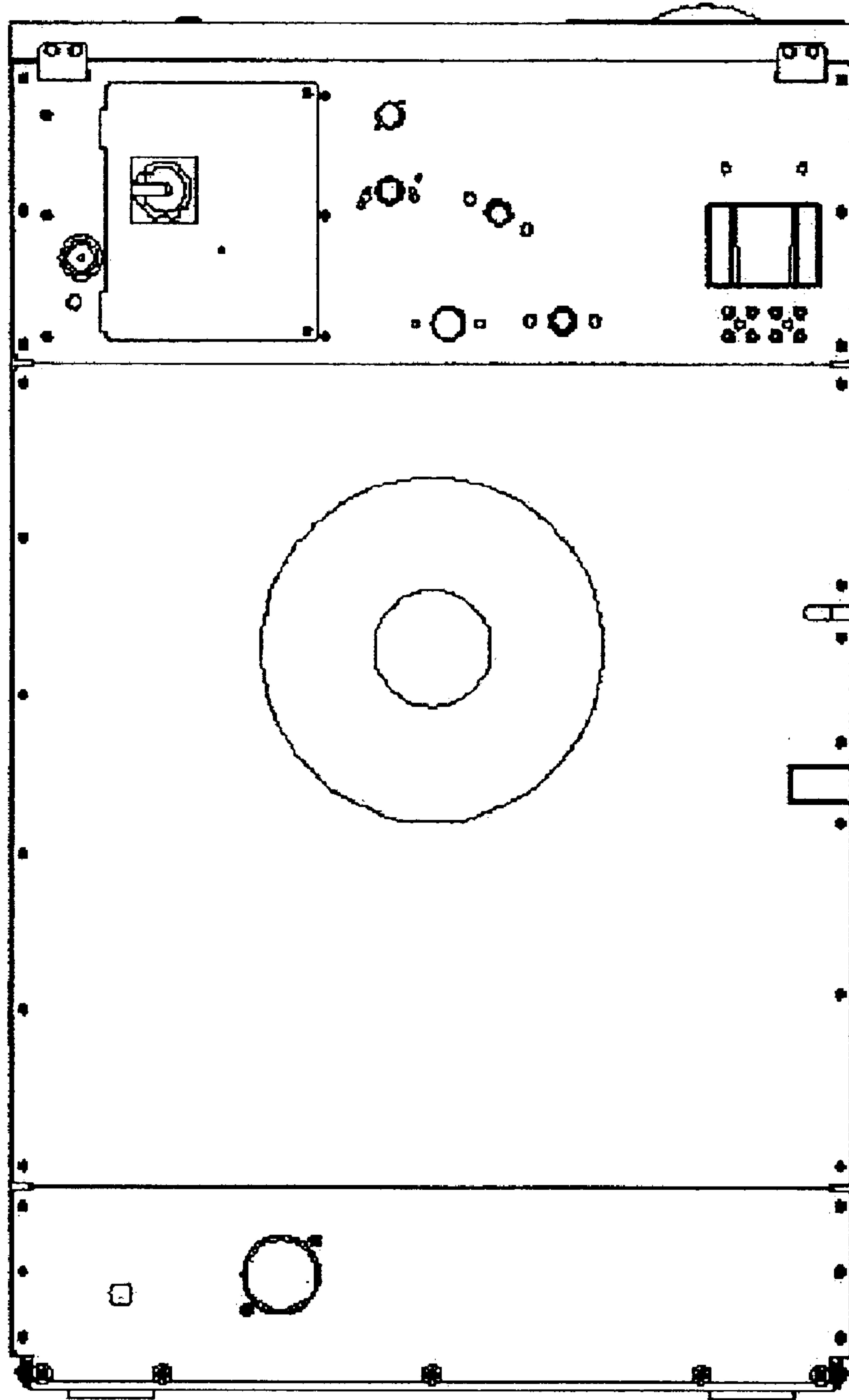


Fig. 16

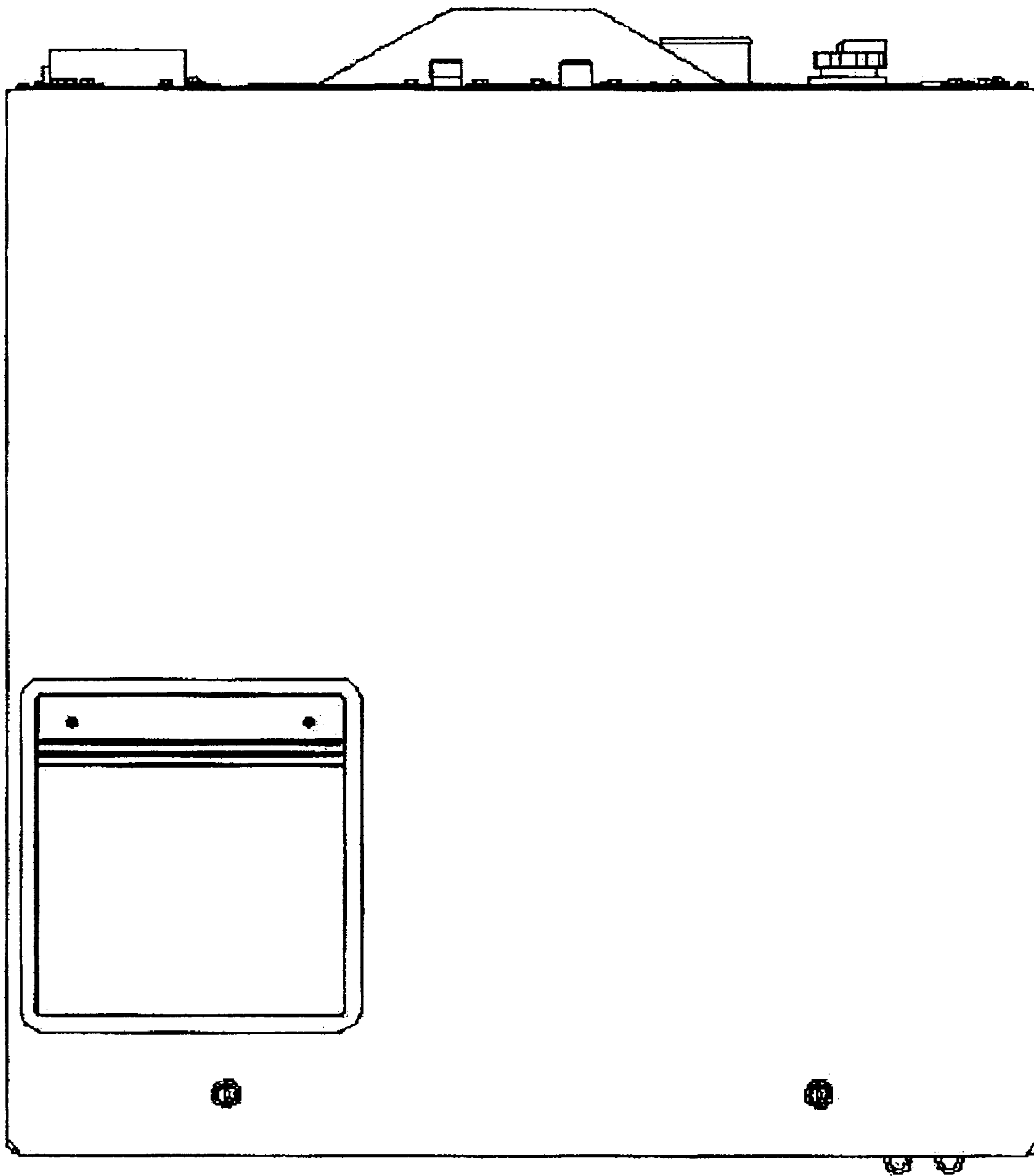


Fig. 17

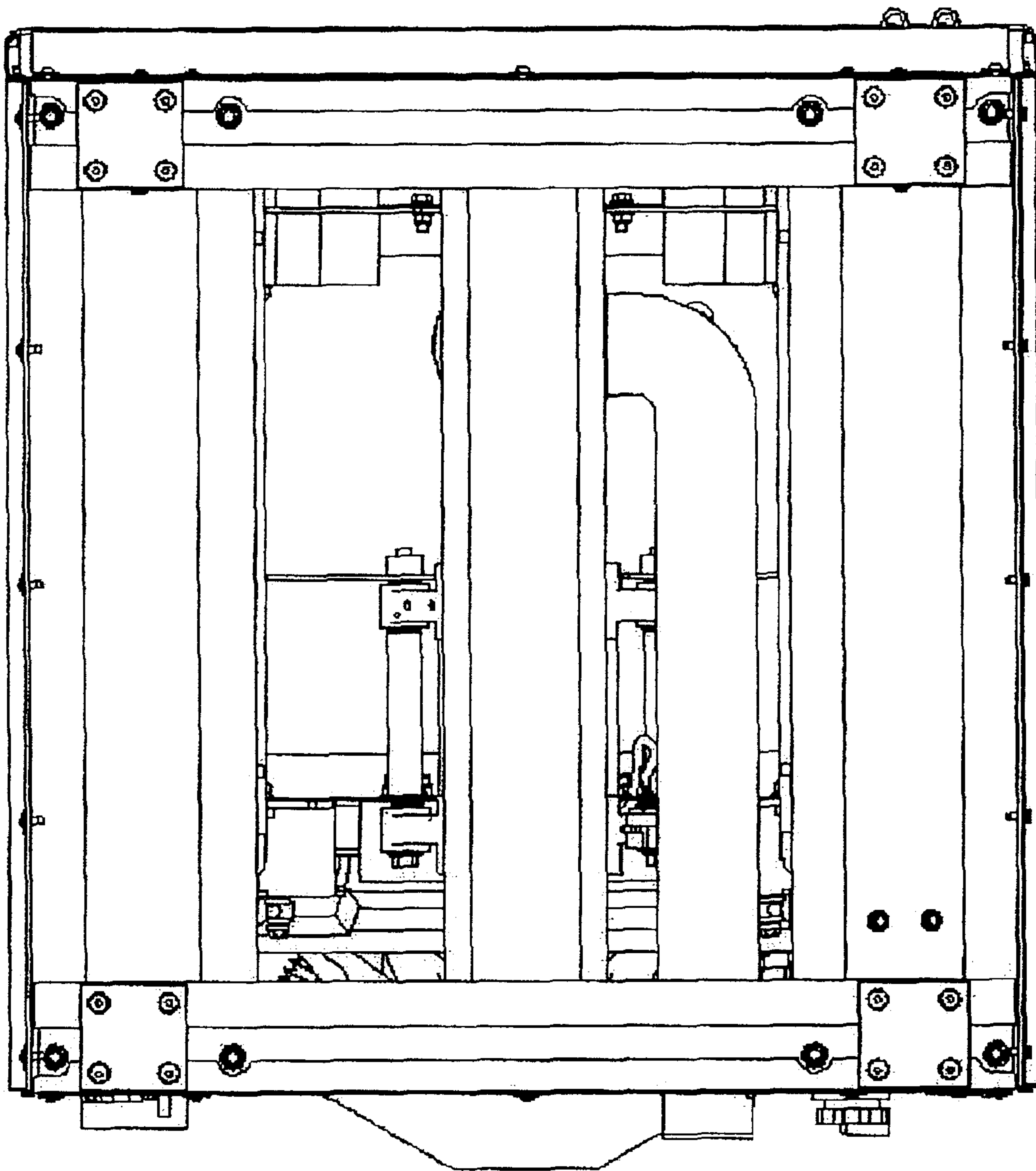


Fig. 18