



US00D539488S

(12) **United States Design Patent**  
**Phillips et al.**

(10) **Patent No.:** **US D539,488 S**

(45) **Date of Patent:** **\*\* Mar. 27, 2007**

(54) **PET HELMET**

(75) Inventors: **Stephen C. Phillips**, Richmond, VA (US); **Kay H. Tabor**, Richmond, VA (US)

(73) Assignee: **Zoomer Gear**, Richmond, VA (US)

(\*\*) Term: **14 Years**

(21) Appl. No.: **29/229,485**

(22) Filed: **May 6, 2005**

(51) **LOC (8) Cl.** ..... **30-01**

(52) **U.S. Cl.** ..... **D30/145**

(58) **Field of Classification Search** ..... 2/6.6-6.7, 2/410-14, 421-25, 9-10, 909, DIG. 11, 417-18, 2/171.2, 175.4, 183, 195.5, 171.02-171.04, 2/200.3; D30/145, 199; D29/102-112, 122; D2/865, 876, 882, 886, 870; 54/80.2; 119/850, 119/814, 837

See application file for complete search history.

(56) **References Cited**

**U.S. PATENT DOCUMENTS**

D180,238 S	*	5/1957	McMury	.....	D29/104
D181,685 S	*	12/1957	Stuart et al.	.....	D29/105
D186,652 S	*	11/1959	Hale	.....	D29/104
D213,085 S	*	1/1969	Wyckoff	.....	D29/106
3,436,760 A	*	4/1969	Molitoris	.....	2/6.6
D215,400 S	*	9/1969	Sinclair et al.	.....	D29/104
3,596,289 A	*	8/1971	Adickes	.....	2/422
3,696,440 A	*	10/1972	Littleton	.....	2/418
D230,103 S	*	1/1974	Hyatt, Jr.	.....	D29/105
D242,088 S	*	11/1976	Durand et al.	.....	D29/105
D266,711 S	*	11/1982	Gooding	.....	D29/105
D300,275 S	*	3/1989	Sjogren et al.	.....	D29/104
4,969,317 A		11/1990	Ode		

5,031,388 A		7/1991	Ode		
D319,116 S		8/1991	Ode		
5,456,215 A		10/1995	Deutscher et al.		
D374,972 S	*	10/1996	Nelson et al.	.....	D29/122
5,713,188 A		2/1998	Chisholm		
D402,414 S	*	12/1998	Smith	.....	D29/106
5,893,173 A		4/1999	Bray		
6,094,750 A	*	8/2000	Lee	.....	2/412
6,240,570 B1	*	6/2001	Wu	.....	2/410
D449,135 S	*	10/2001	Martin et al.	.....	D29/102
D479,019 S	*	8/2003	Lishen	.....	D29/102
6,694,529 B1	*	2/2004	Chiu	.....	2/411
D514,259 S	*	1/2006	Brown et al.	.....	D29/106
D520,181 S	*	5/2006	Chen	.....	D27/148

\* cited by examiner

*Primary Examiner*—M. H. Tung

*Assistant Examiner*—Susan Moon Lee

(74) *Attorney, Agent, or Firm*—John H. Thomas, P.C.

(57) **CLAIM**

I claim the ornamental design for a pet helmet, as shown and described.

**DESCRIPTION**

FIG. 1 is a left side perspective view of a pet helmet in accordance with the present invention as it would be found in use and shown on a reduced scale;

FIG. 2 is a front view thereof;

FIG. 3 is a rear view thereof;

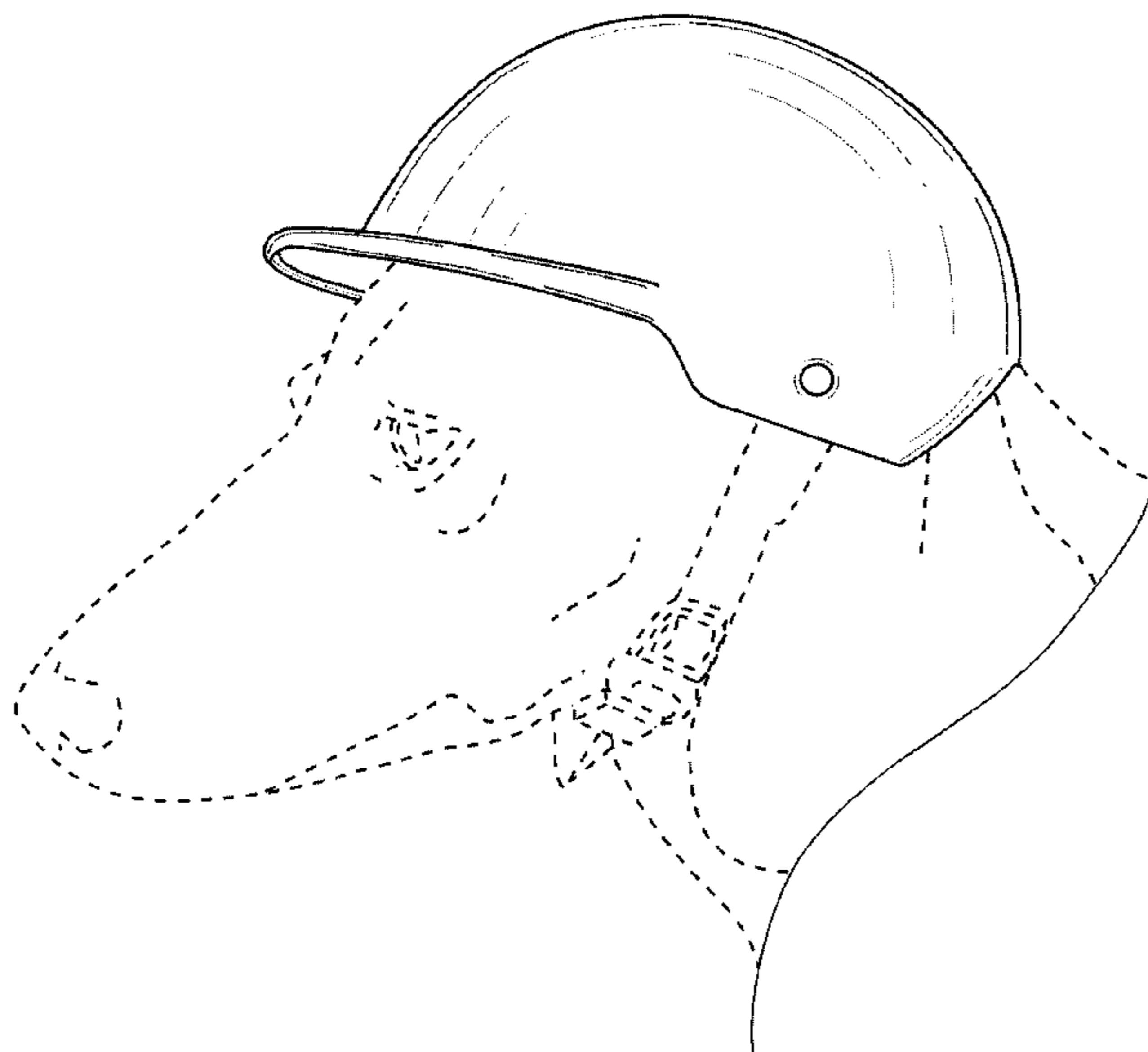
FIG. 4 is a right side view thereof;

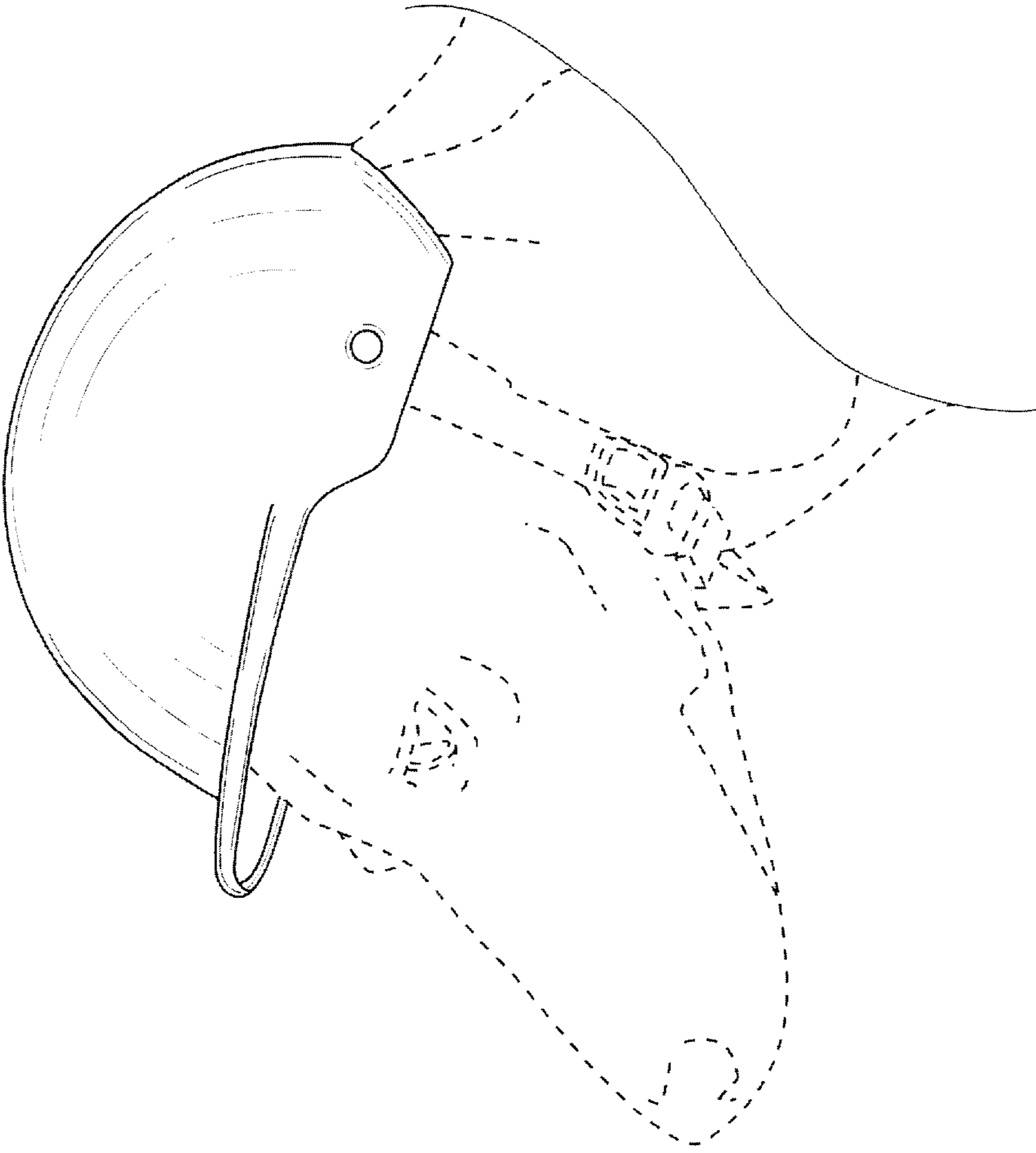
FIG. 5 is a top view thereof; and,

FIG. 6 is a bottom view thereof.

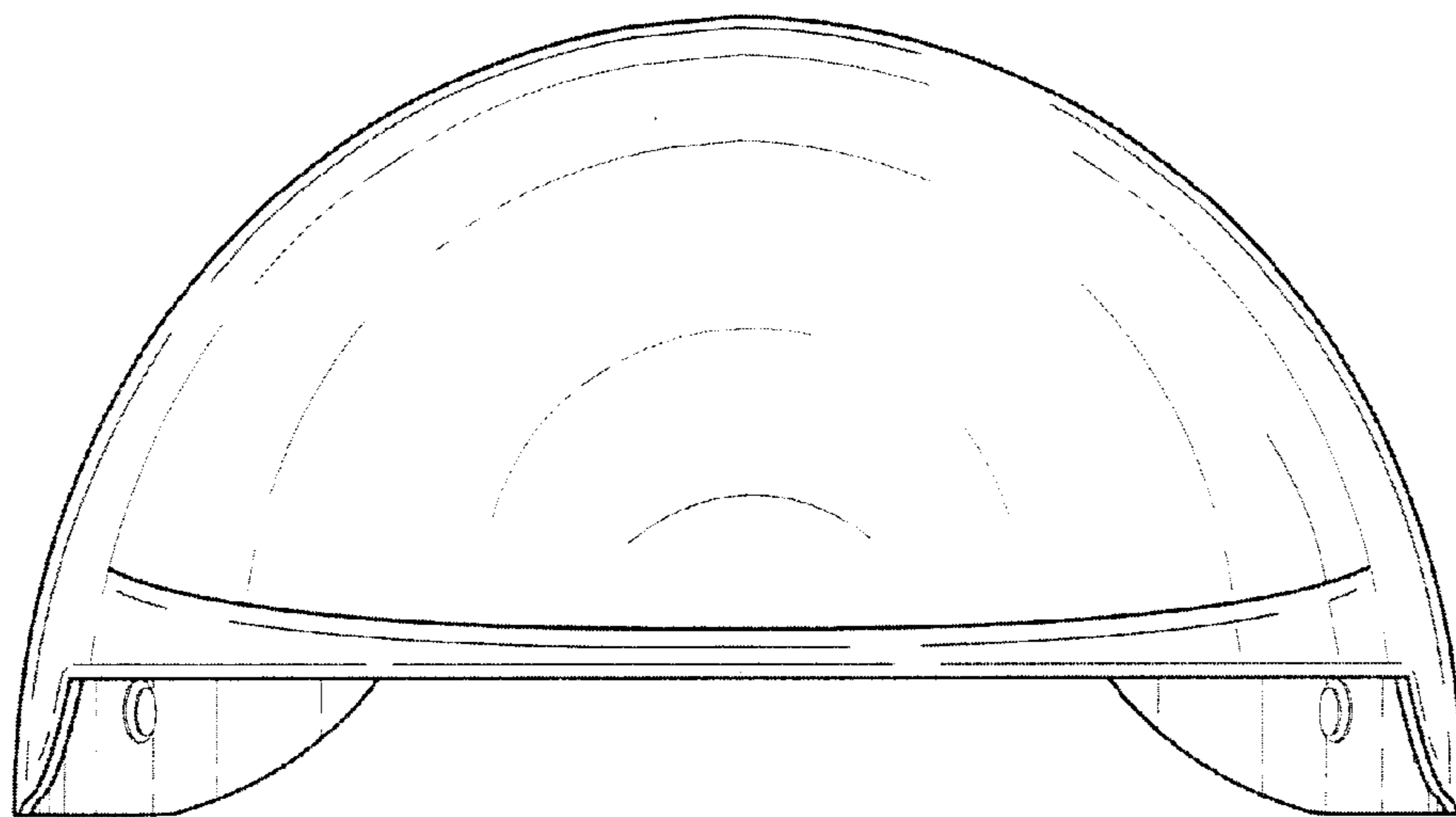
The broken line matter shown in FIGS. 1 and 6 are for illustrative purposes only and do not form any part of the claimed design.

**1 Claim, 4 Drawing Sheets**

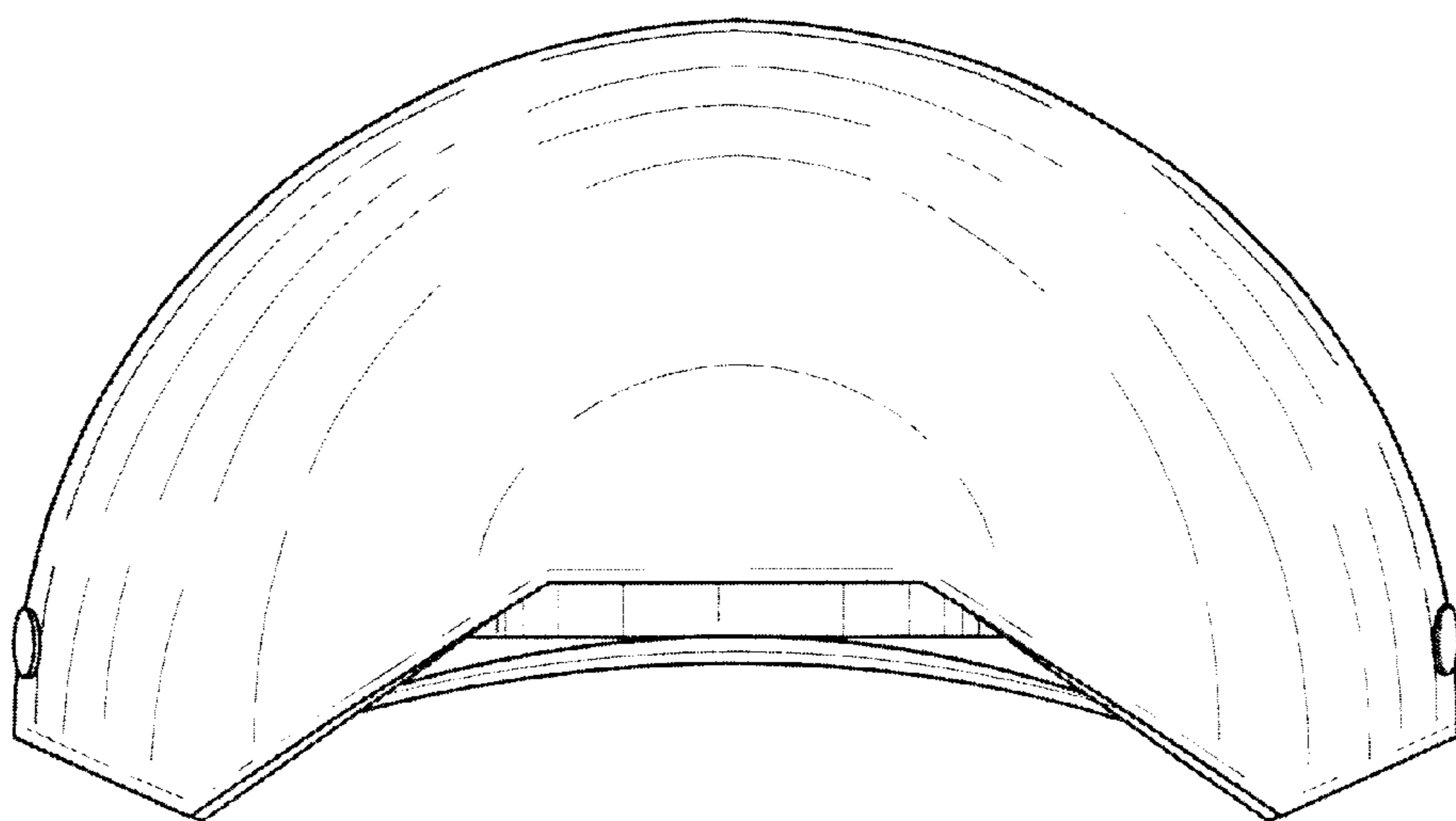




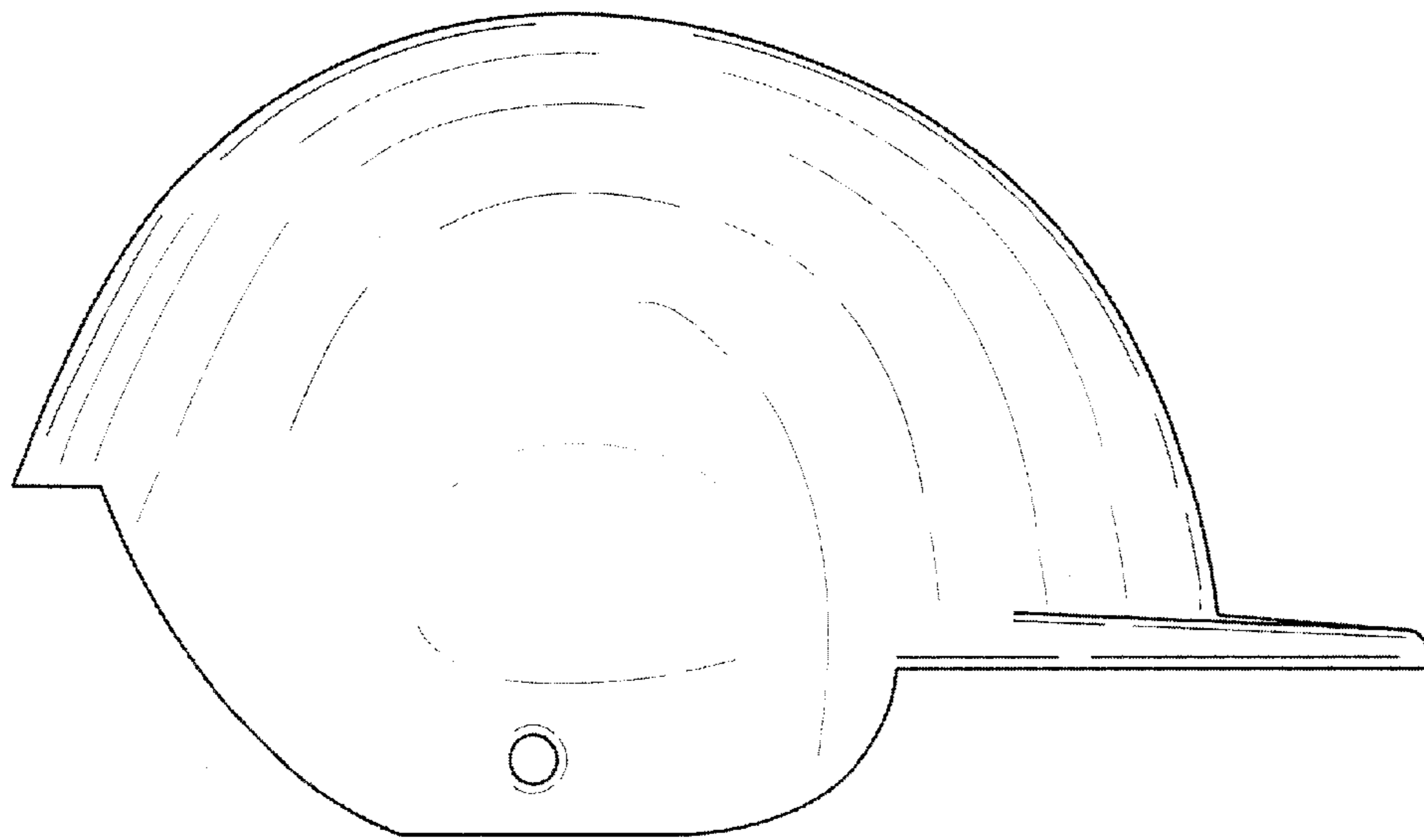
**FIG. 1**



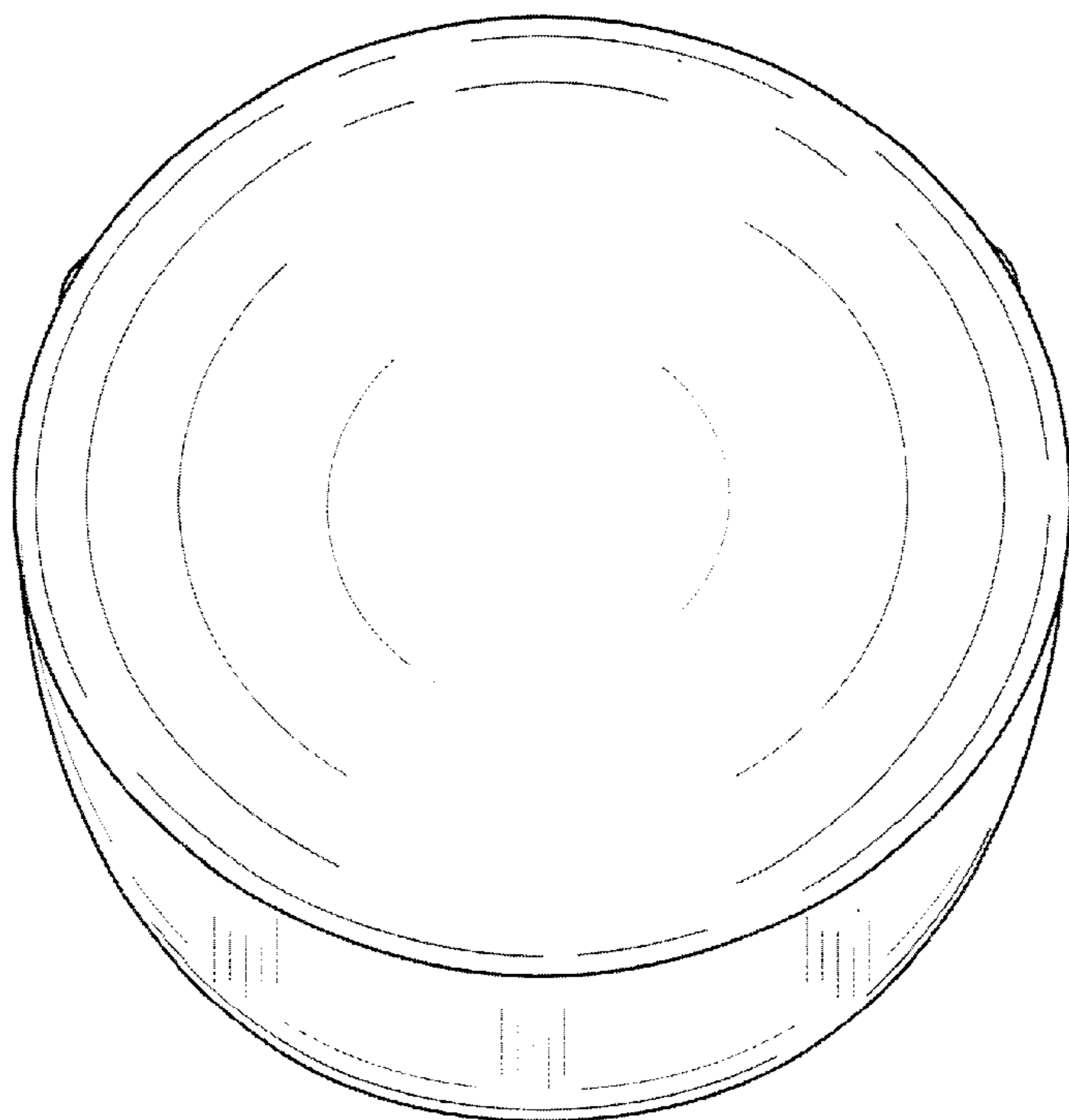
**FIG. 2**



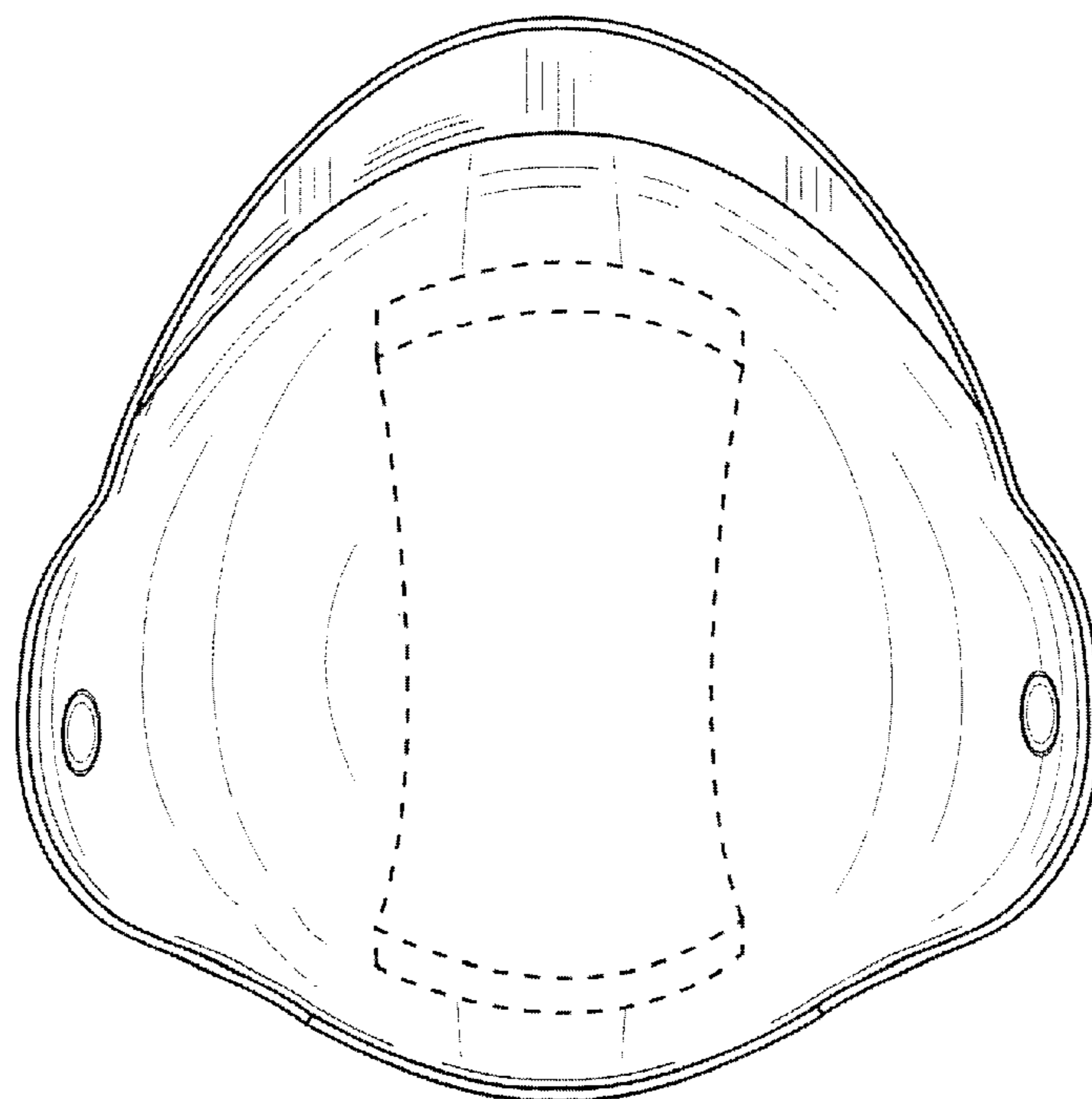
**FIG. 3**



**FIG. 4**



**FIG. 5**



**FIG. 6**