



US00D539486S

(12) **United States Design Patent**
Williams

(10) **Patent No.:** **US D539,486 S**

(45) **Date of Patent:** **** Mar. 27, 2007**

(54) **COMBINED PET CARRIER AND GYM BAG**

(76) **Inventor:** **Peggy Williams**, 87 Ridgeview Dr. SE., Silver Creek, GA (US) 30173

(**) **Term:** **14 Years**

(21) **Appl. No.:** **29/256,969**

(22) **Filed:** **Mar. 28, 2006**

Related U.S. Application Data

(62) Division of application No. 29/187,986, filed on Aug. 11, 2003.

(51) **LOC (8) Cl.** **30-02**

(52) **U.S. Cl.** **D30/111**

(58) **Field of Classification Search** D30/108, D30/109, 111, 112, 114–118, 161; 119/28.5, 119/416, 452, 453, 496, 497, 500; D3/234, D3/238, 242, 243, 245, 254, 255, 270, 273, D3/276, 315; 190/100, 107

See application file for complete search history.

(56) **References Cited**

U.S. PATENT DOCUMENTS

D292,446 S * 10/1987 Gilbert D3/238
D310,586 S * 9/1990 Dobelle D30/109
D311,610 S * 10/1990 Dobelle D30/109

(Continued)

OTHER PUBLICATIONS

GlamourDog; Bone Bag in Lilac; internet printed page; <http://store.yahoo.com/glamourdogstore/bobaginsoitl.html>; published at least by Jan 6, 2004; 1 page.

GlamourDog; Bone Bag in Soft Italian Leather; internet printed page; <http://store.yahoo.com/glamourdogstore/bobaginsoitl.html>; published at least by Jan. 6, 2004; 1 page.

www.BirchStreetClothing.com, Birch Street Clothing—Patterns and Notions On-line, 1997–2002, Birch Street Clothing.

GlamourDog; Bone Bag in Soft Italian Leather; internet printed page; <http://store.yahoo.com/glamourdogstore/bobaginsoitl.html>; published at least by Jan. 6, 2004; 1 page (references movie believed to be released on Feb. 7, 2003).

Primary Examiner—Louis S. Zarfaz

Assistant Examiner—Anhdao Doan

(74) *Attorney, Agent, or Firm*—Gardner Groff Santos & Greenwald

(57) **CLAIM**

The ornamental design for a combined pet carrier and gym bag, as shown and described.

DESCRIPTION

The present invention comprises a bag having the ornamental shape of a bone. In example embodiments of the present invention, the bag is ventilated for use as a pet carrier for carrying pets or as a gym bag for carrying workout clothes. FIG. 1 is a perspective view of a first embodiment of a combined pet carrier and gym bag.

FIG. 2 is a front reduced view of the combined pet carrier and gym bag of FIG. 1.

FIG. 3 is a rear reduced view of the combined pet carrier and gym bag of FIG. 1.

FIG. 4 is a right side view of the combined pet carrier and gym bag of FIG. 1.

FIG. 5 is a left side view of the combined pet carrier and gym bag of FIG. 1.

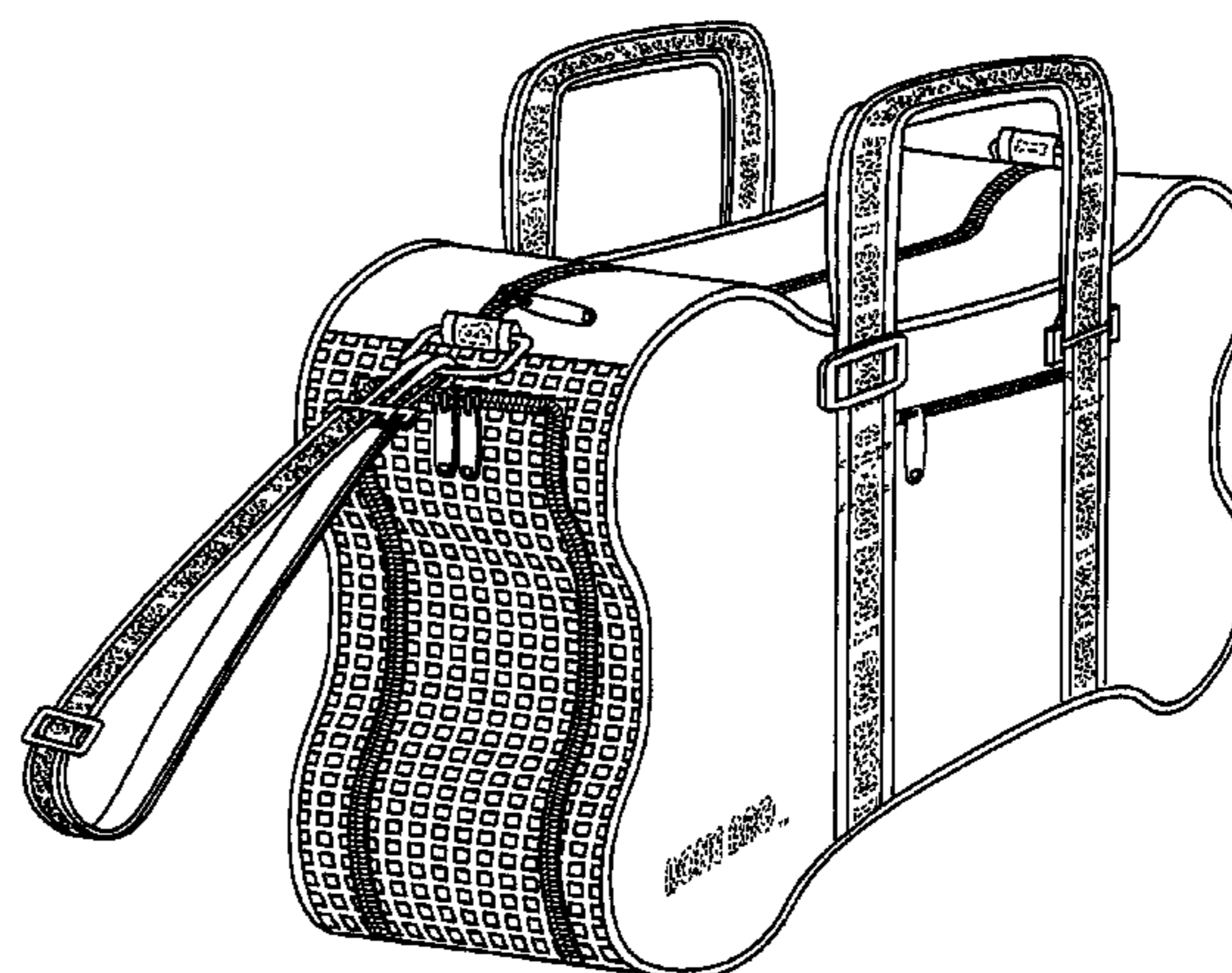
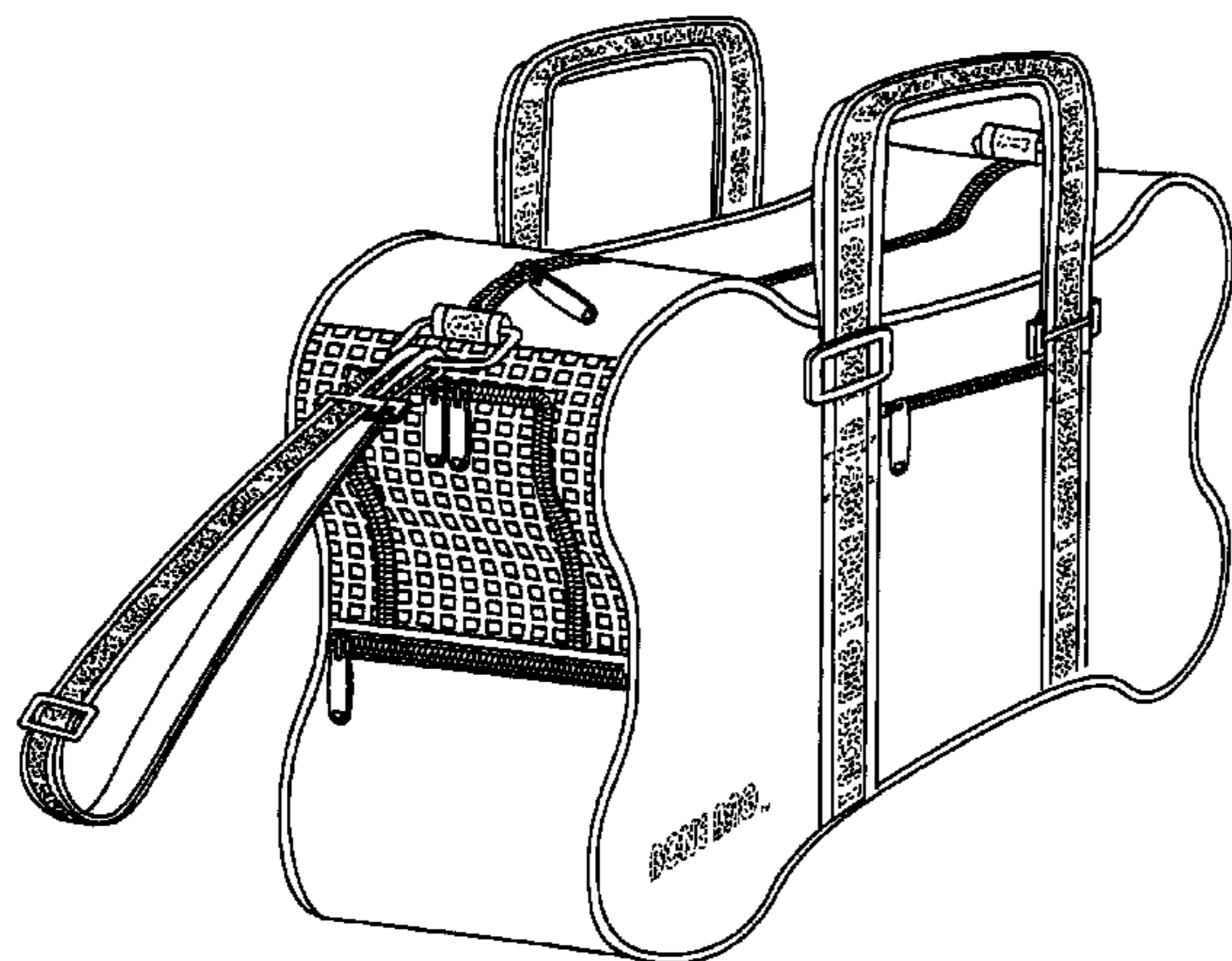
FIG. 6 is a top view of the combined pet carrier and gym bag of FIG. 1.

FIG. 7 is a bottom view of the combined pet carrier and gym bag of FIG. 1; and,

FIG. 8 is perspective view of a second embodiment of the combined pet carrier and gym bag, which has left and right side views that are mirror-images of each other except for the strap on the left side of the bag, and which has remaining views that are identical to the views of FIGS. 2–3 and 6–7 of the first exemplary embodiment.

The broken lines in FIGS. 1–8 are for illustrative purposes only and form no part of the claimed design.

1 Claim, 5 Drawing Sheets



US D539,486 S

Page 2

U.S. PATENT DOCUMENTS

D381,199 S	*	7/1997	Glasser	D3/274	D444,271 S	*	6/2001	Farrugia	D30/109
D381,505 S	*	7/1997	Petto	D3/238	D448,164 S	*	9/2001	Kolpin	D3/262
D398,082 S	*	9/1998	Martz	D30/109	D474,336 S	*	5/2003	Nally	D3/254
D398,083 S	*	9/1998	Martz	D30/109	D481,539 S	*	11/2003	Martz	D30/109
D401,761 S	*	12/1998	Sandmann et al.	D3/238					

* cited by examiner

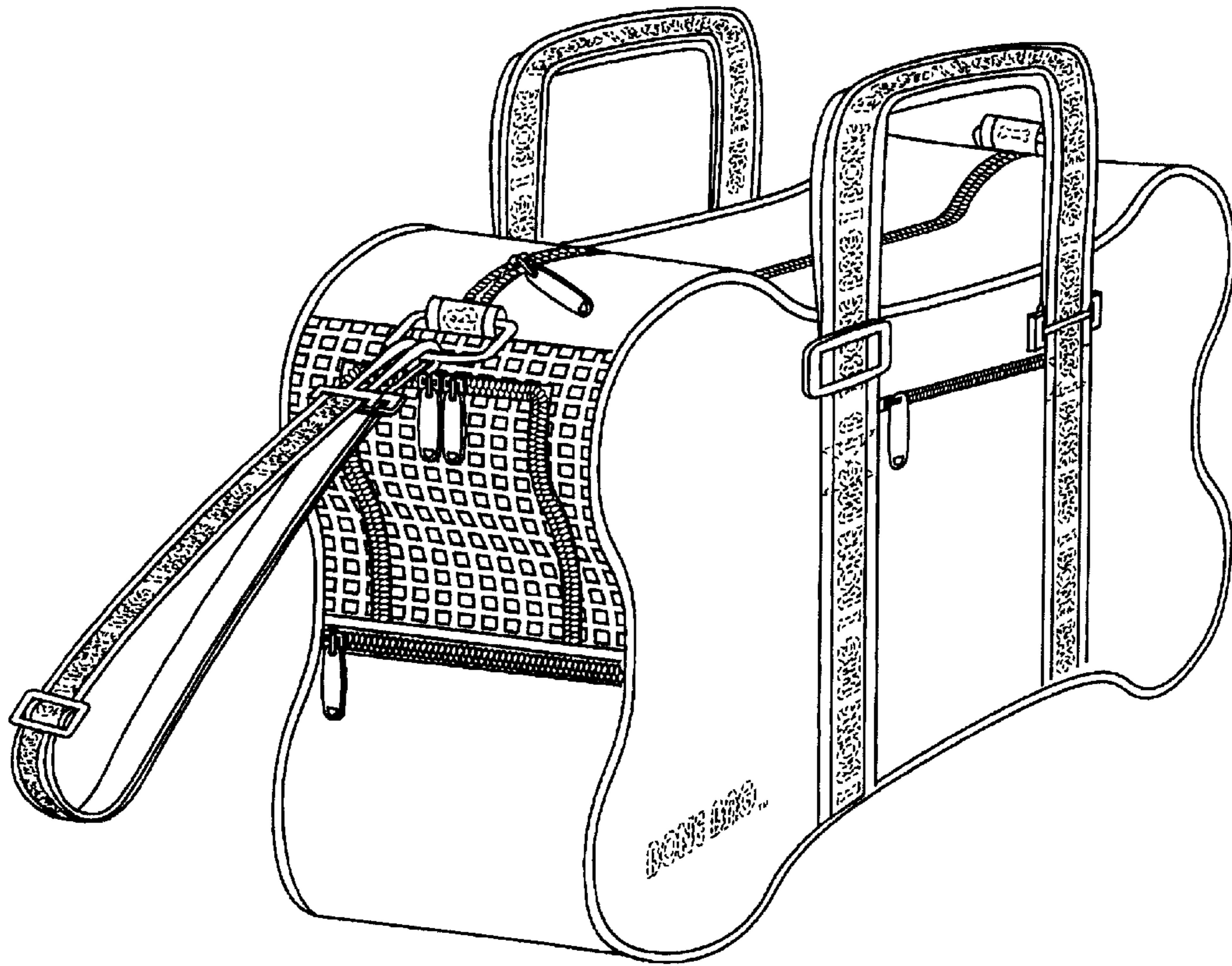


FIG. 1

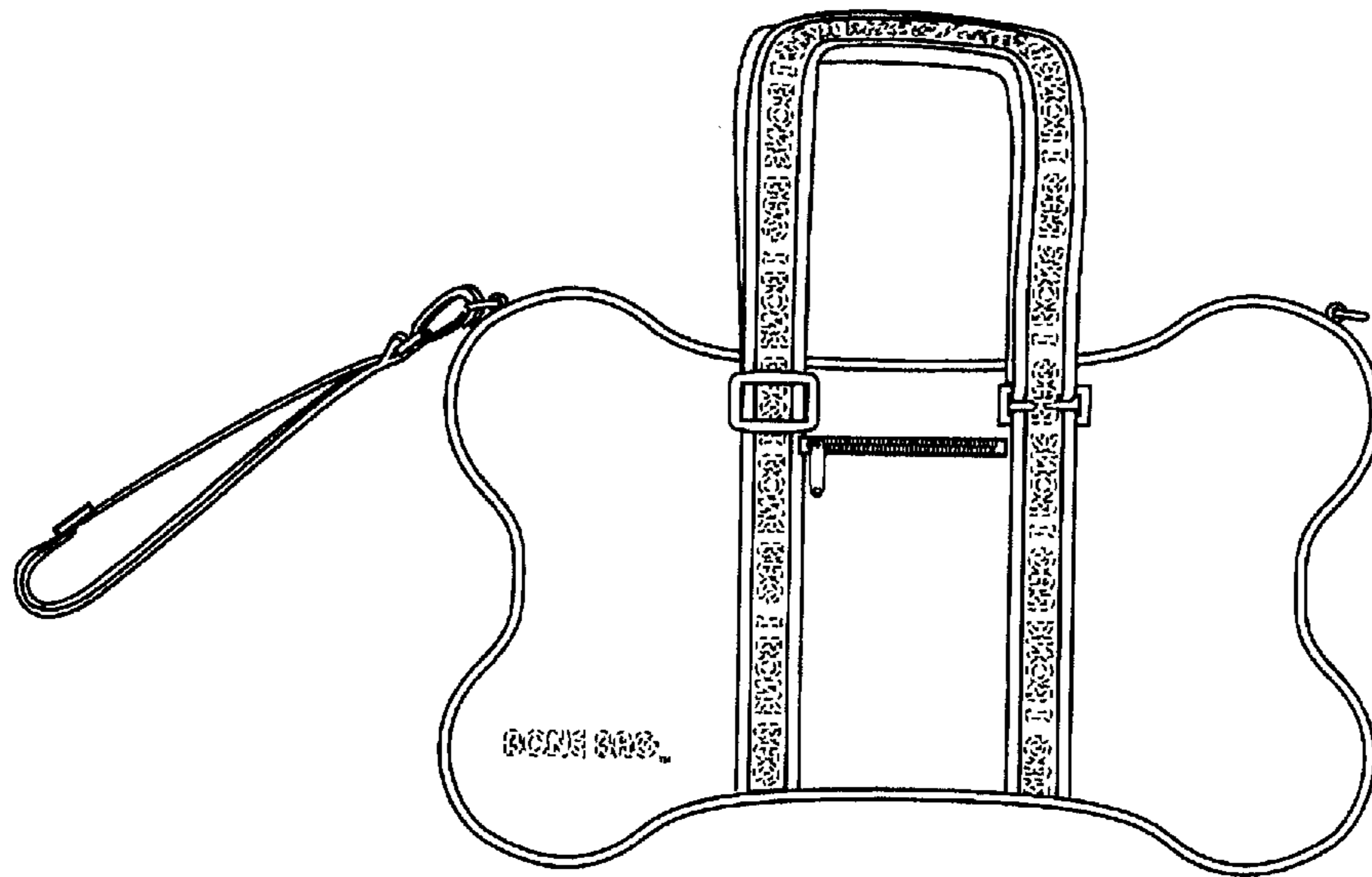


FIG. 2

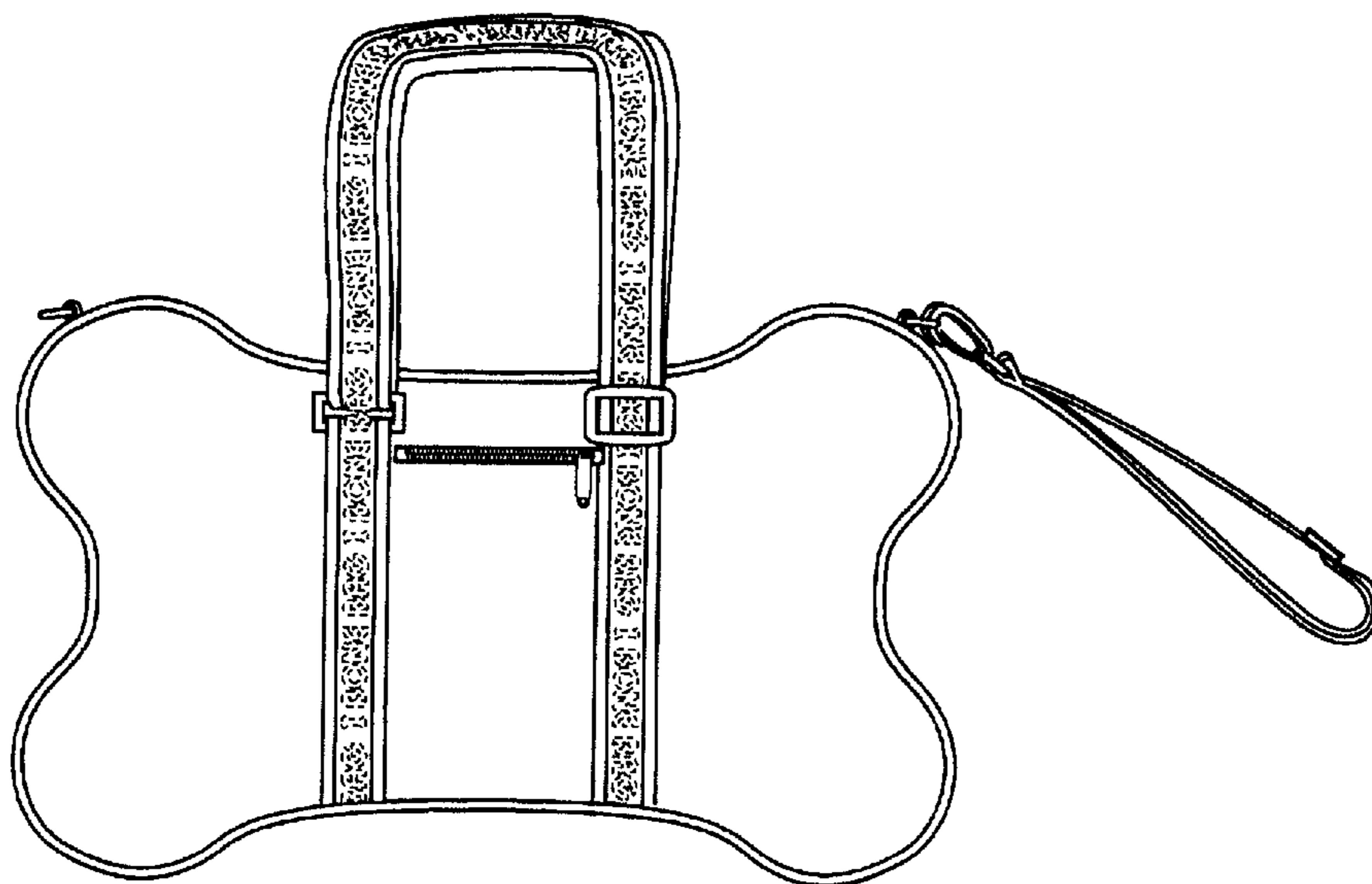


FIG. 3

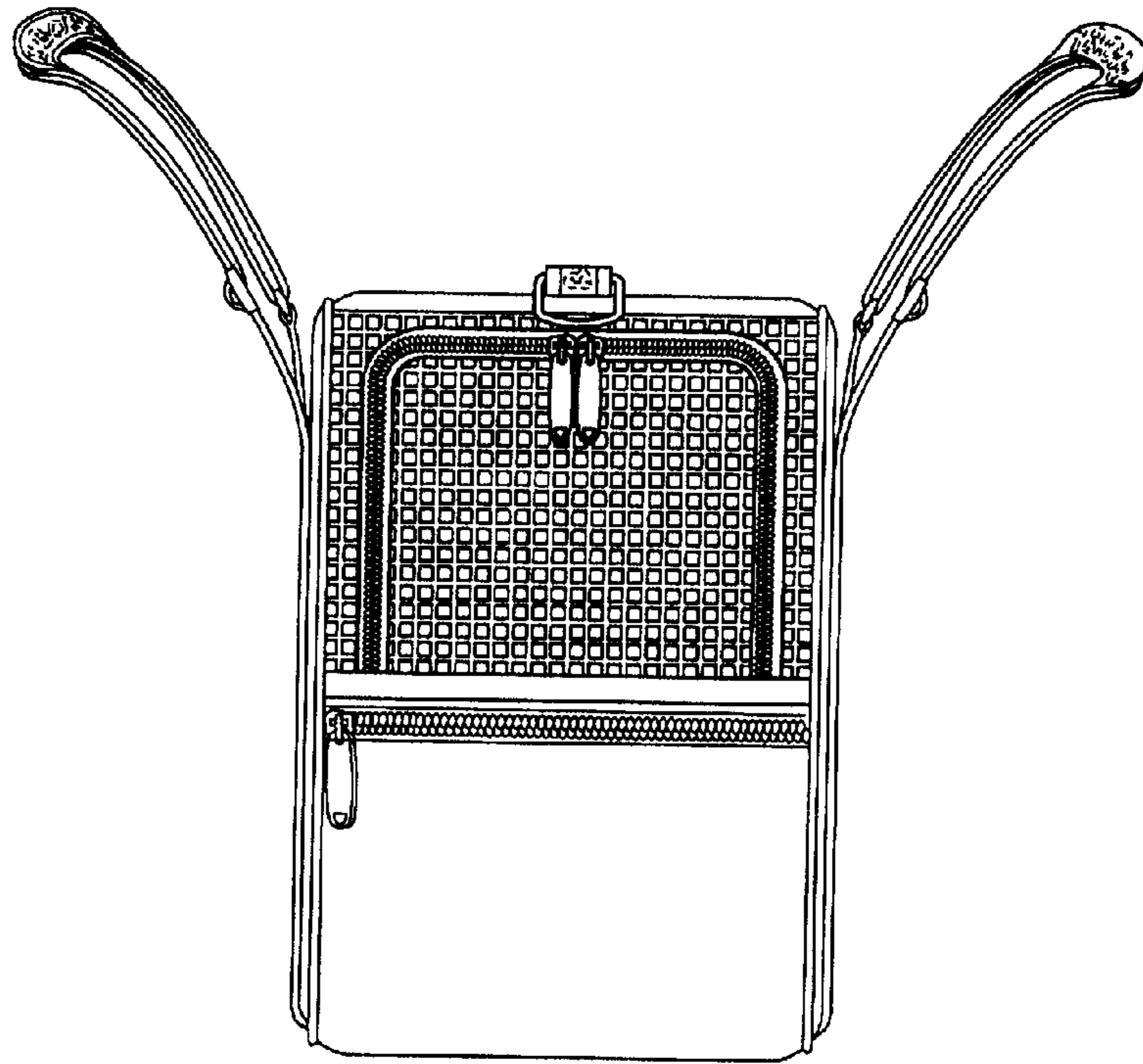


FIG. 4

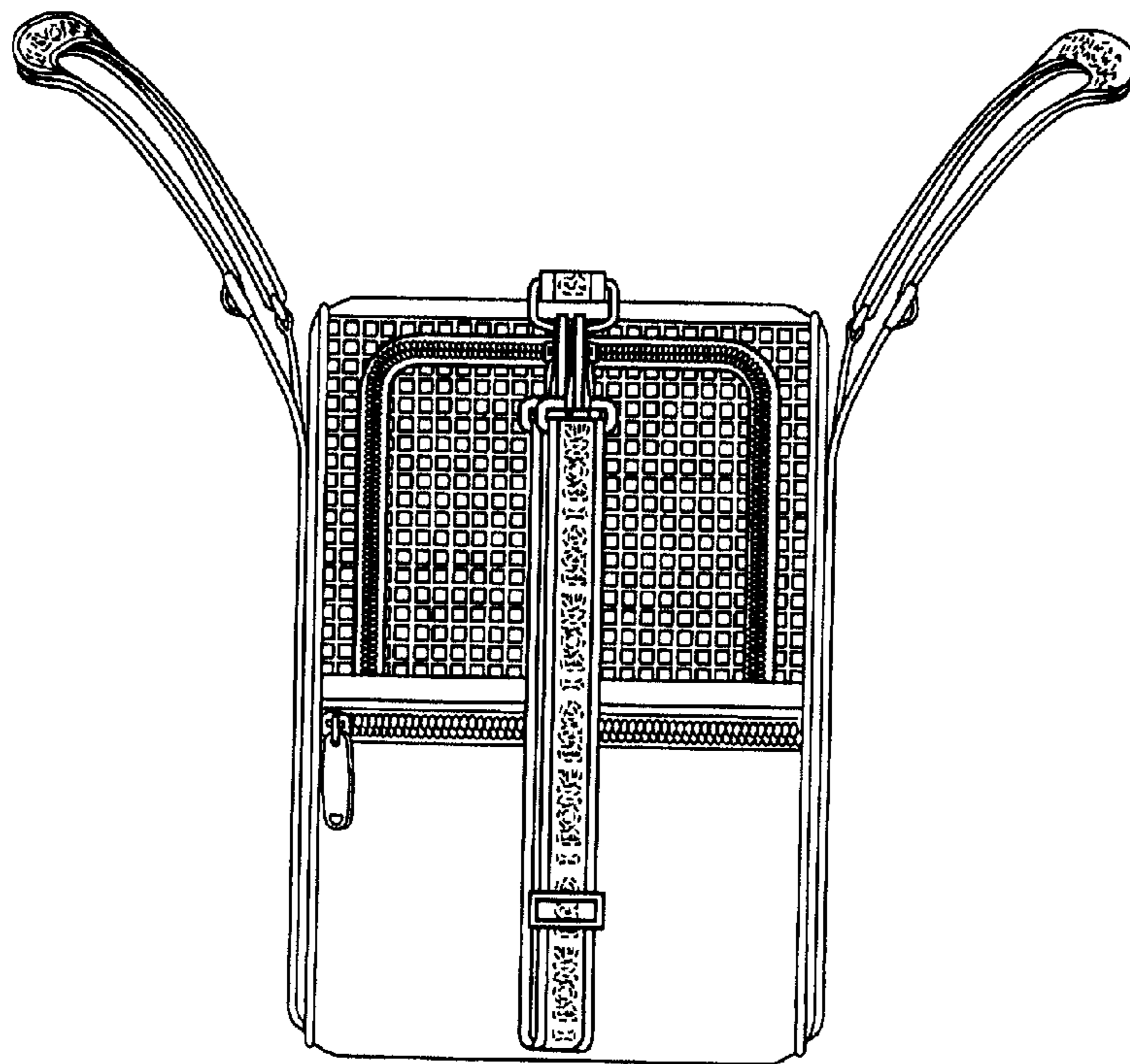


FIG. 5

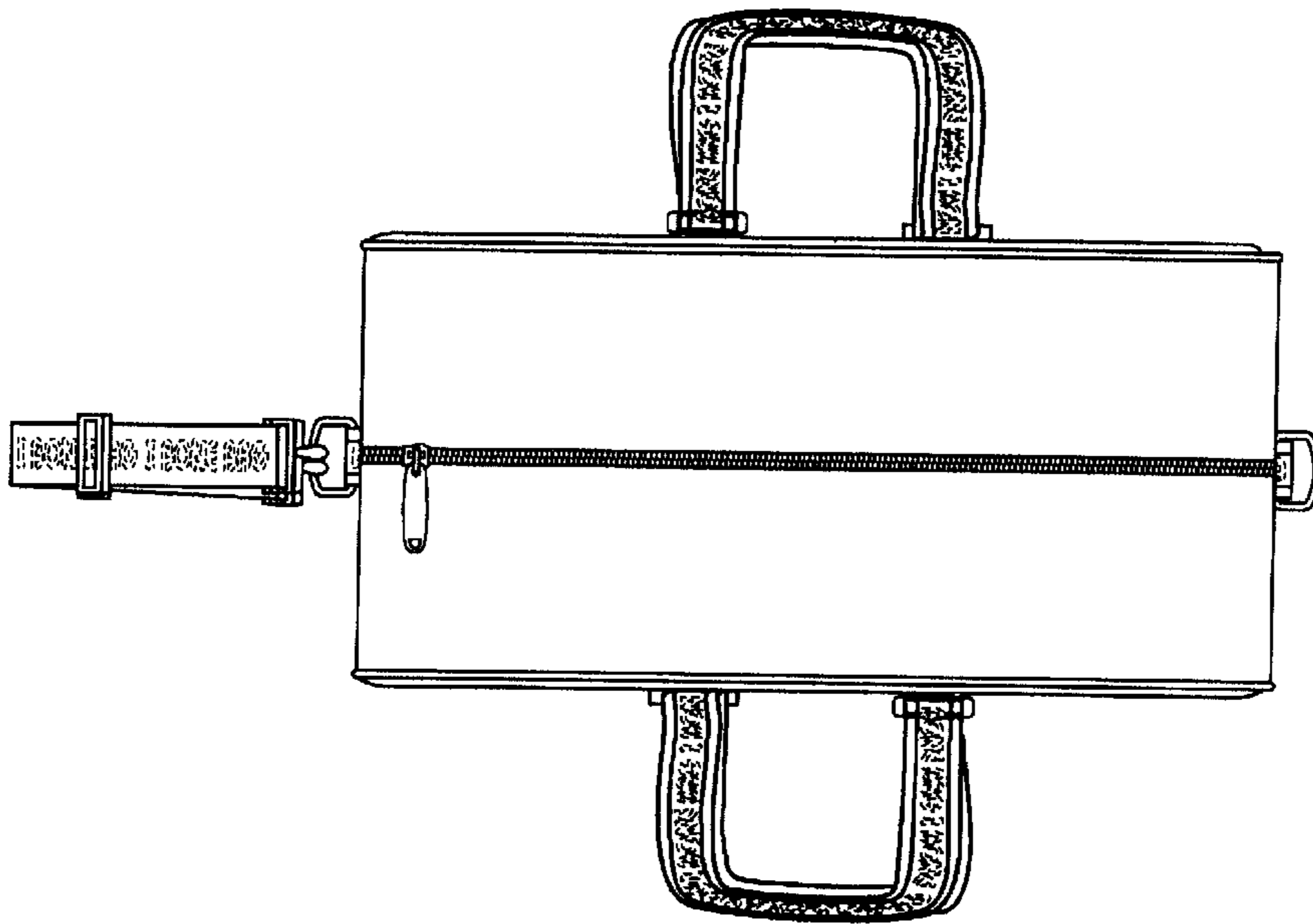


FIG. 6

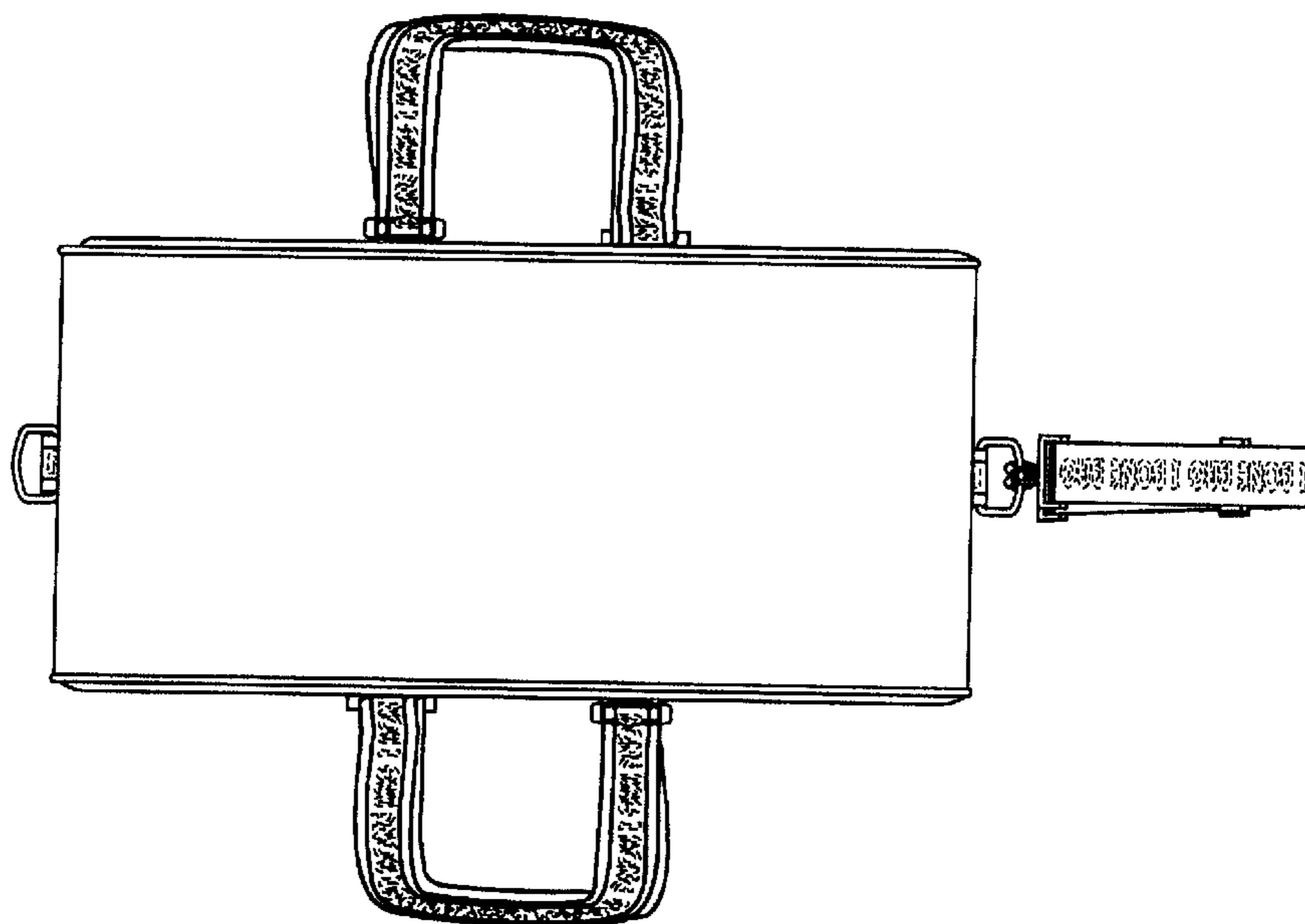


FIG. 7

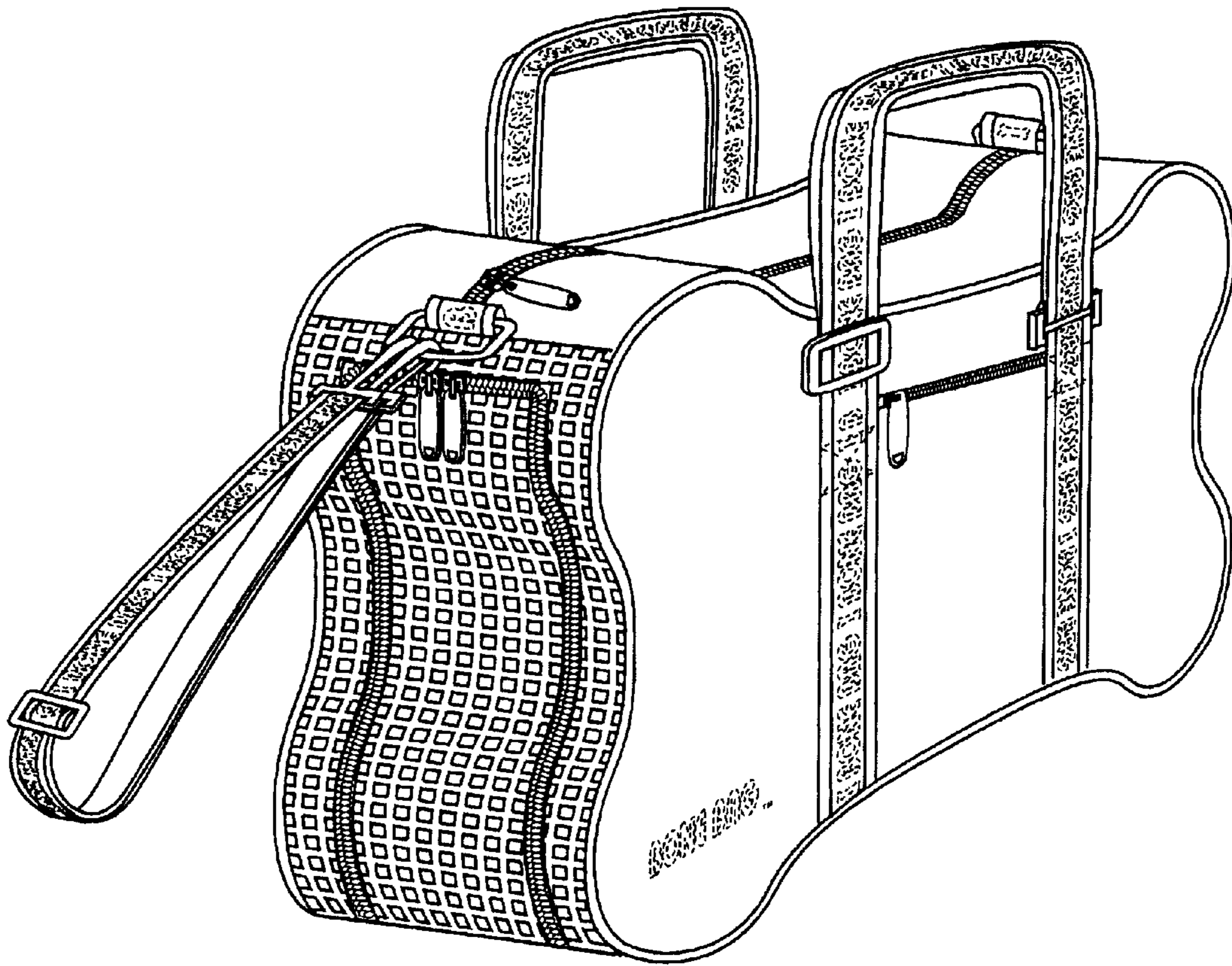


FIG. 8