



US00D539480S

(12) **United States Design Patent**  
**Kostow**

(10) **Patent No.:** **US D539,480 S**

(45) **Date of Patent:** **\*\* \*Mar. 27, 2007**

(54) **COSMETIC CONTAINER**

(75) Inventor: **Clare Kostow**, New York, NY (US)

(73) Assignee: **L'Oreal S.A.**, Paris (FR)

(\*) Notice: This patent is subject to a terminal disclaimer.

(\*\*) Term: **14 Years**

(21) Appl. No.: **29/236,104**

(22) Filed: **Aug. 11, 2005**

(51) **LOC (8) Cl.** ..... **28-03**

(52) **U.S. Cl.** ..... **D28/76; D28/91; D9/504**

(58) **Field of Classification Search** ..... D28/76-83,  
D28/85, 88-89, 91; 132/293-307, 317, 318;  
D9/503-505, 529; 206/581, 823

See application file for complete search history.

(56) **References Cited**

**U.S. PATENT DOCUMENTS**

D307,646 S \* 5/1990 Kingsford ..... D28/76

5,377,842 A \* 1/1995 Sorini ..... 206/581  
6,318,380 B1 \* 11/2001 Hwang ..... 132/298  
D509,434 S \* 9/2005 Haruta ..... D9/504  
2005/0092343 A1 \* 5/2005 Byun ..... 132/293

\* cited by examiner

*Primary Examiner*—Jennifer Rivard

(74) *Attorney, Agent, or Firm*—Baker Botts L.L.P.

(57) **CLAIM**

The ornamental design for the cosmetic container, as shown and described.

**DESCRIPTION**

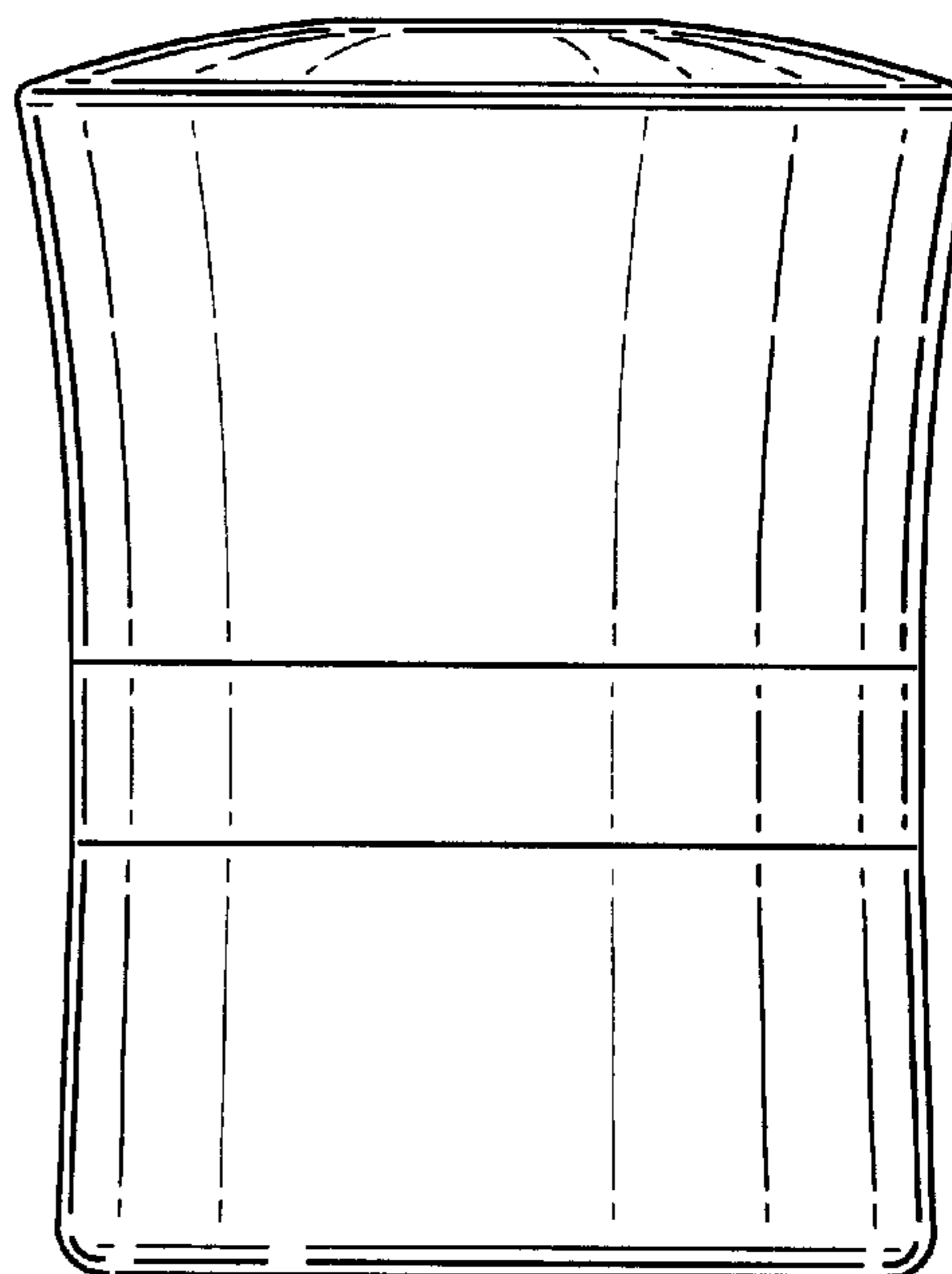
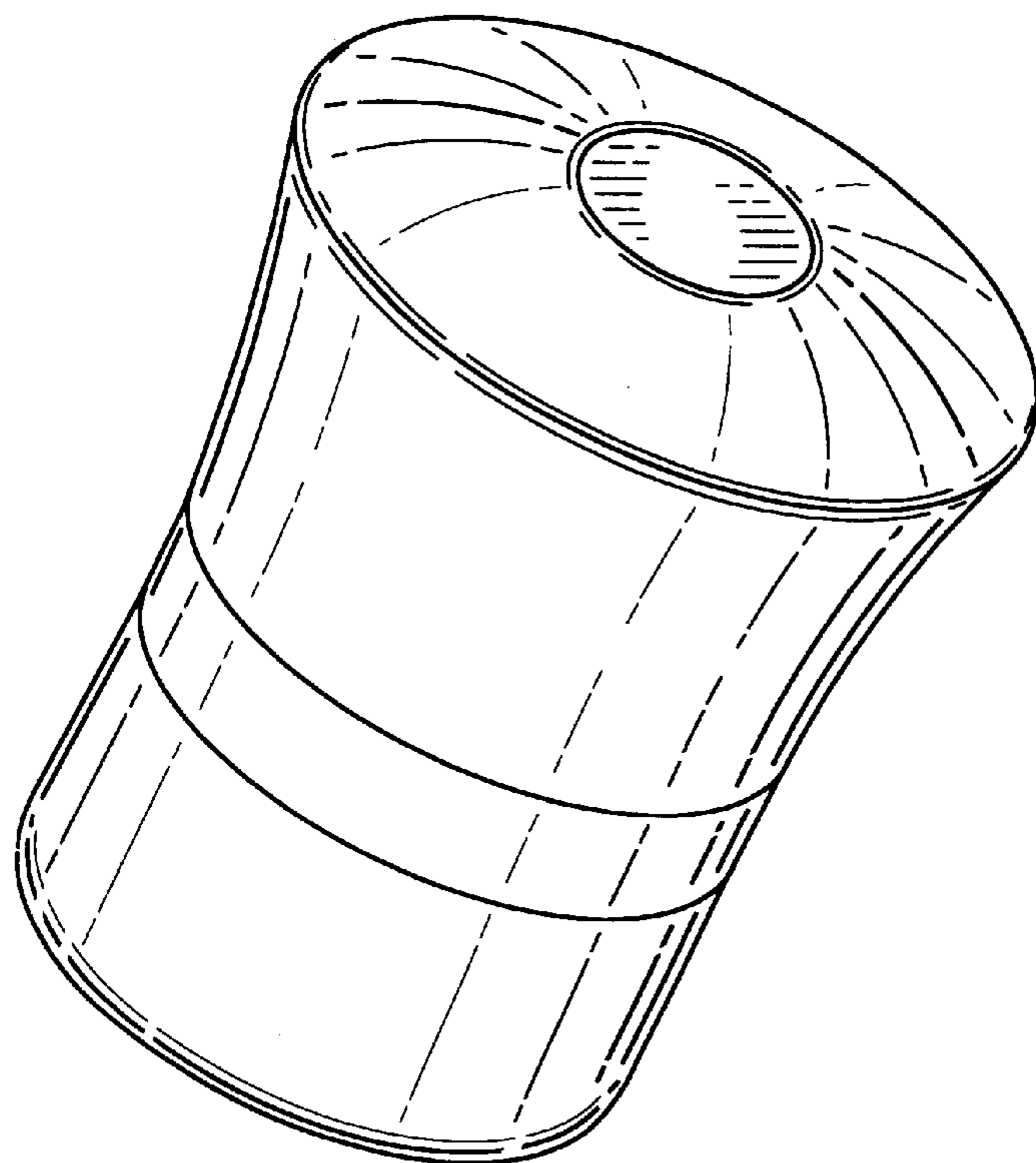
FIG. 1 is a three-dimensional perspective view of the cosmetic container;

FIG. 2 is a front view of the cosmetic container;

FIG. 3 is a top view of the cosmetic container; and,

FIG. 4 is a bottom view of the cosmetic container.

**1 Claim, 1 Drawing Sheet**



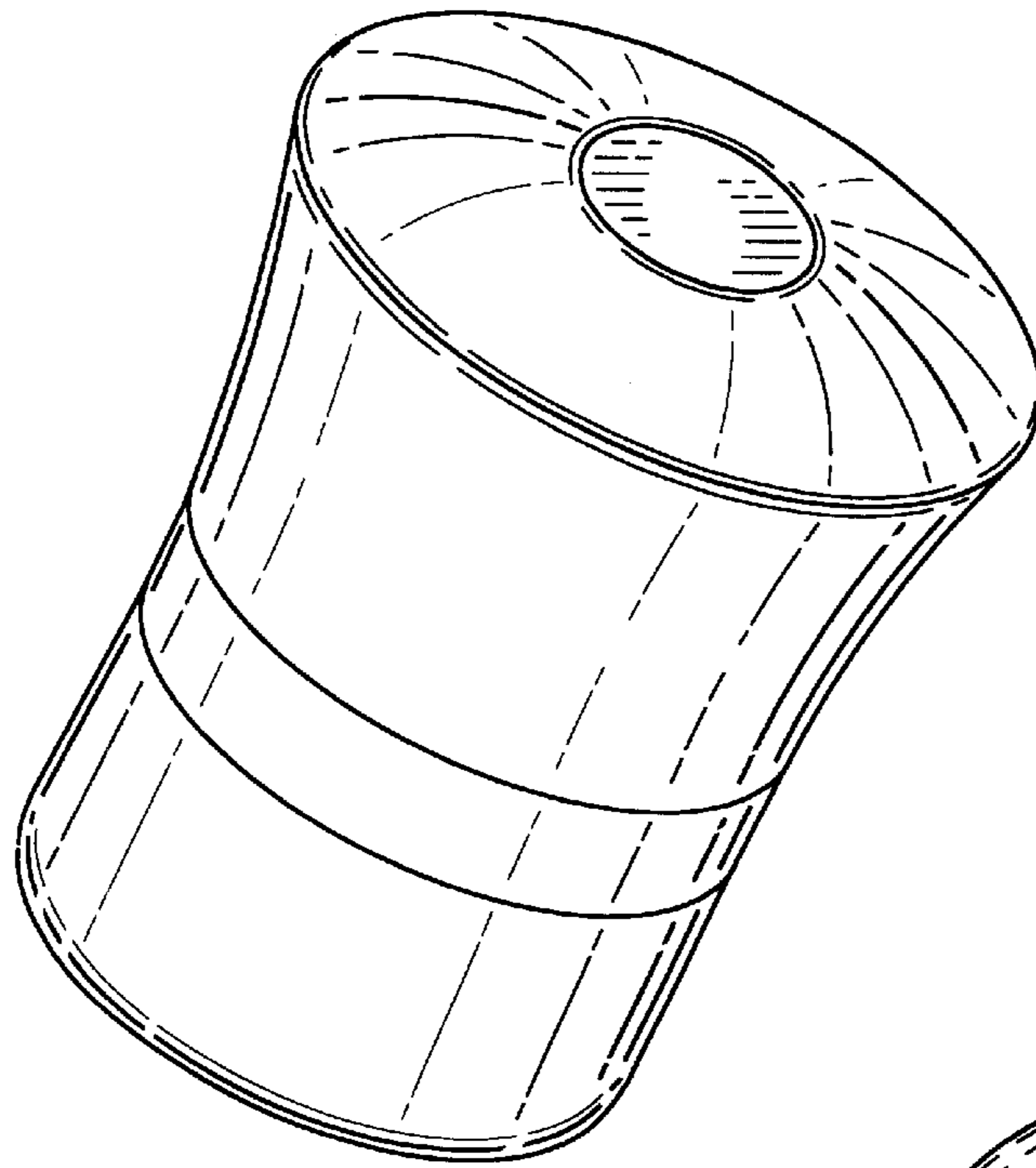


FIG. 1

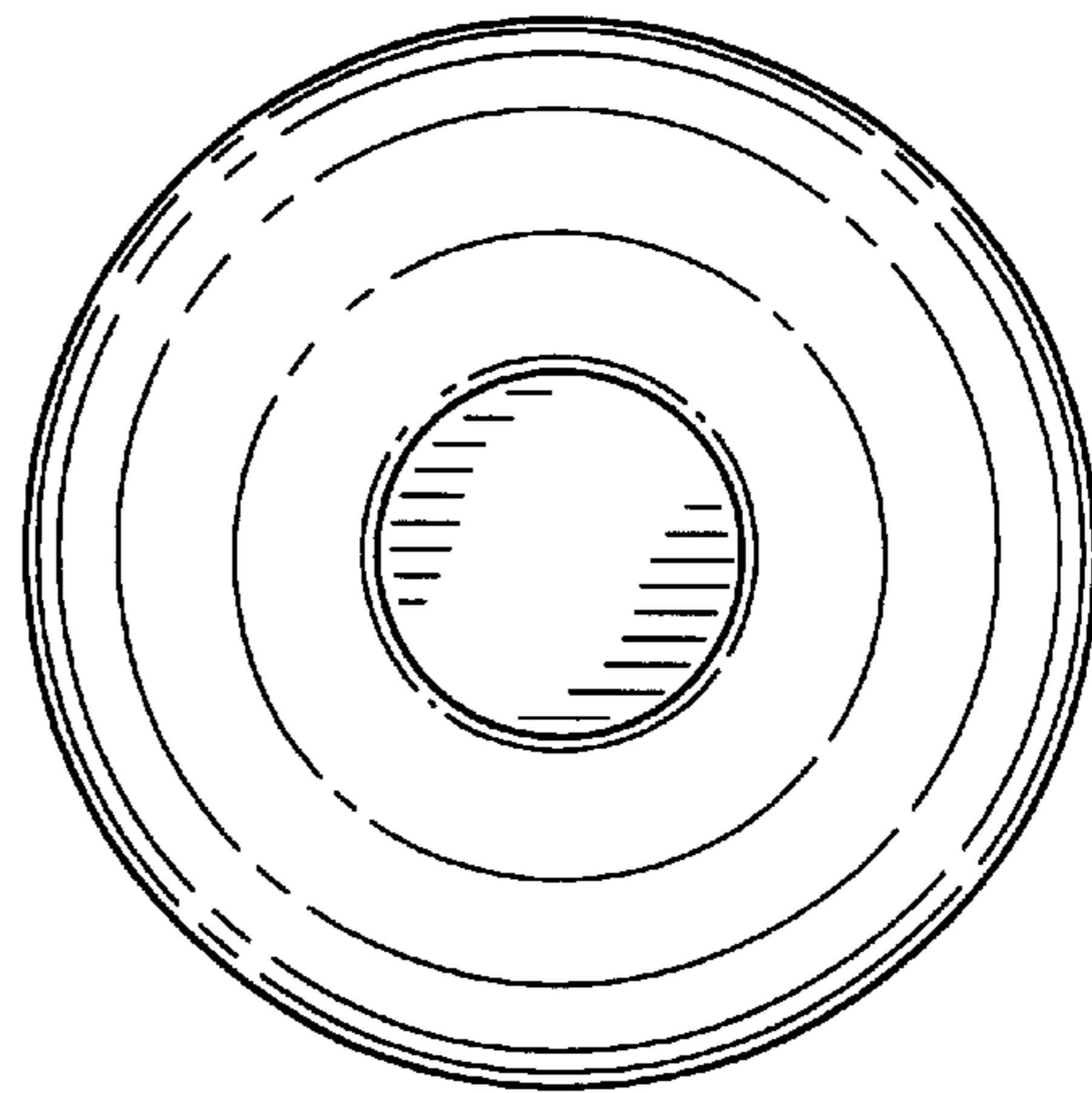


FIG. 3

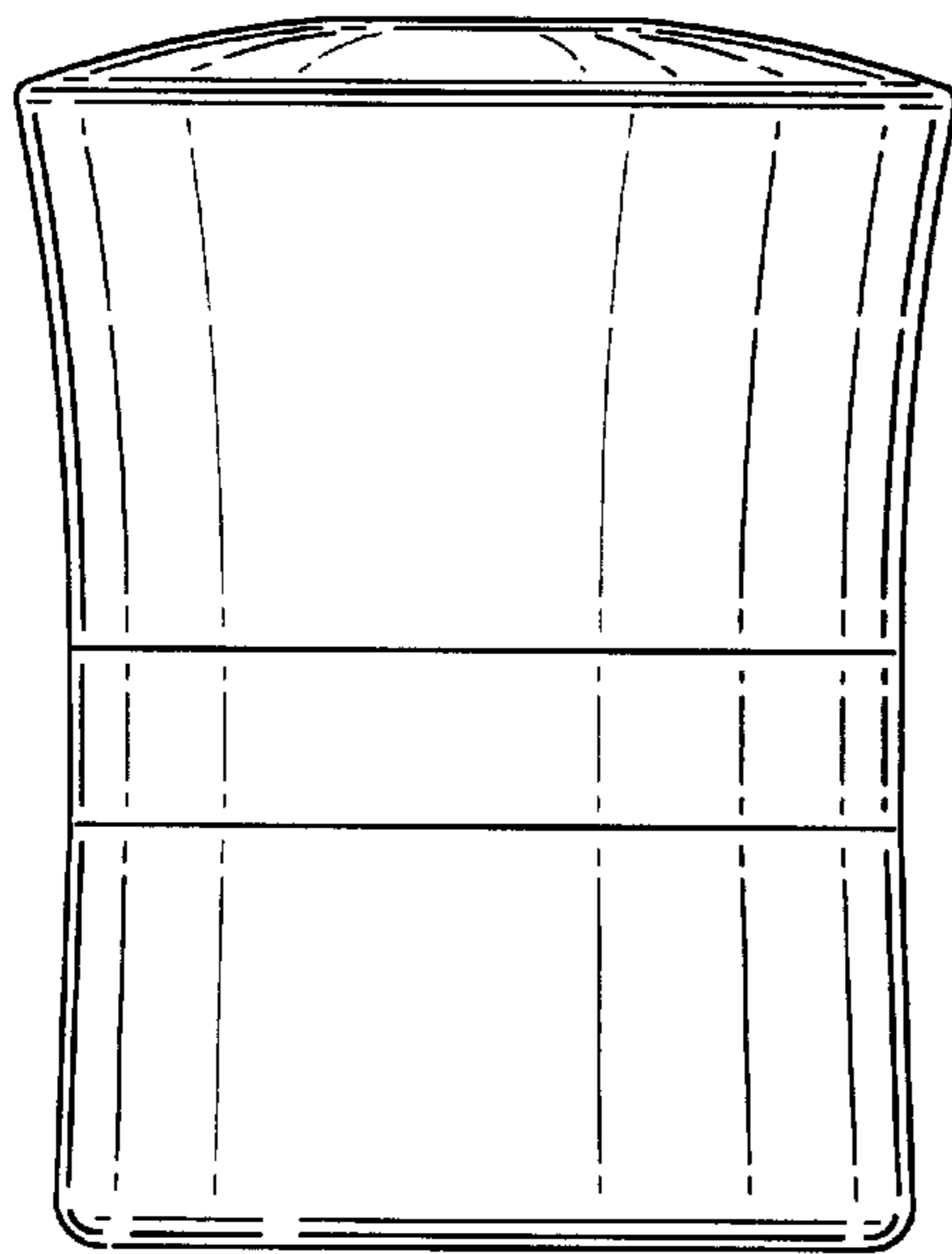


FIG. 2

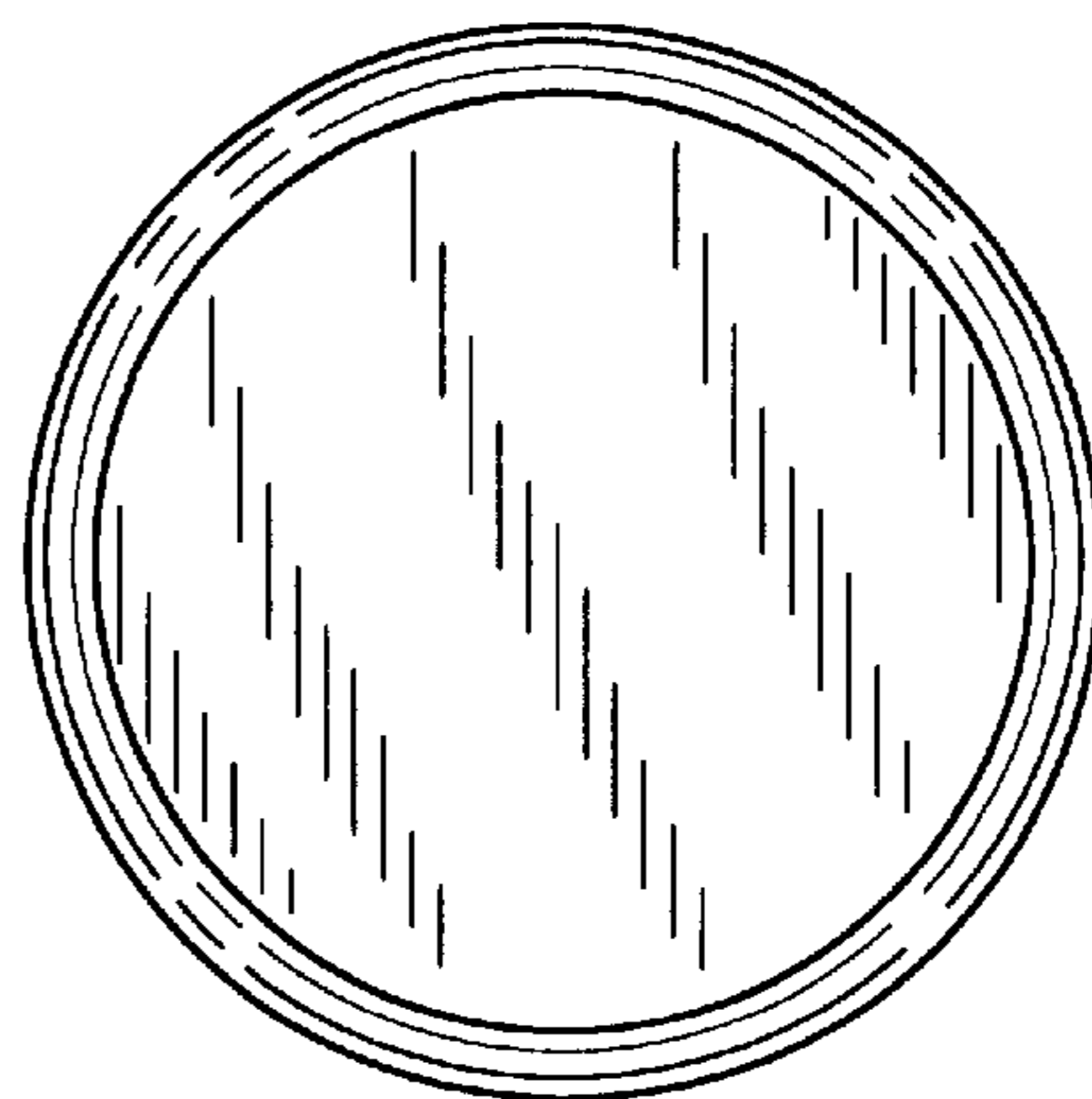


FIG. 4