



US00D539479S

(12) **United States Design Patent**  
**Berry Pitts et al.**

(10) **Patent No.:** **US D539,479 S**  
(45) **Date of Patent:** **\*\* Mar. 27, 2007**

(54) **DENTAL APPARATUS**

(75) Inventors: **Nigel Berry Pitts**, Dundee (GB);  
**Christopher Longbottom**, Dundee (GB)

(73) Assignee: **IDMOS PLC**, Dundee (GB)

(\*\*) Term: **14 Years**

(21) Appl. No.: **29/241,241**

(22) Filed: **Oct. 26, 2005**

(30) **Foreign Application Priority Data**

Apr. 26, 2005 (EM) ..... 000336631-0001/0004

(51) **LOC (8) Cl.** ..... **28-03**

(52) **U.S. Cl.** ..... **D28/68**

(58) **Field of Classification Search** ..... D24/152-154,  
D24/176-182; 433/3, 141, 142-143, 147;  
D19/48, 49; D8/DIG. 6, DIG. 7; D28/65-68  
See application file for complete search history.

(56) **References Cited**

**U.S. PATENT DOCUMENTS**

D323,721 S \* 2/1992 Bushberger ..... D28/68  
D354,154 S \* 1/1995 Topelko ..... D28/68

D358,002 S \* 5/1995 Rakocy ..... D28/68  
D369,884 S \* 5/1996 Hashim ..... D28/68  
D381,122 S \* 7/1997 Ando ..... D28/65  
D459,809 S \* 7/2002 Mangione ..... D24/152  
D493,577 S \* 7/2004 Winkler ..... D28/68

**FOREIGN PATENT DOCUMENTS**

GB 3013563 \* 7/2003  
GB 3015359 \* 12/2003

\* cited by examiner

*Primary Examiner*—Charles A. Rademaker  
(74) *Attorney, Agent, or Firm*—Sughrue Mion, PLLC

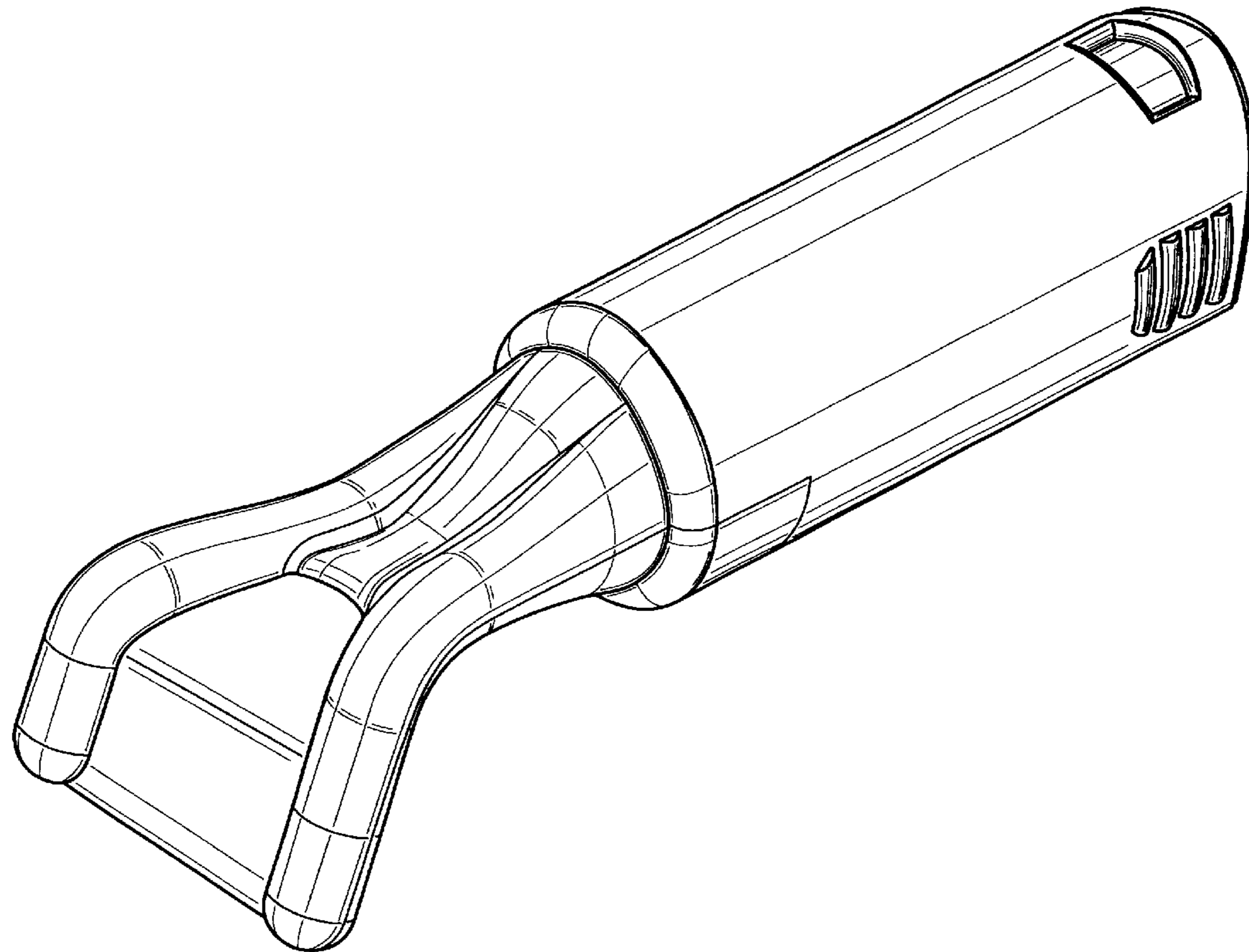
(57) **CLAIM**

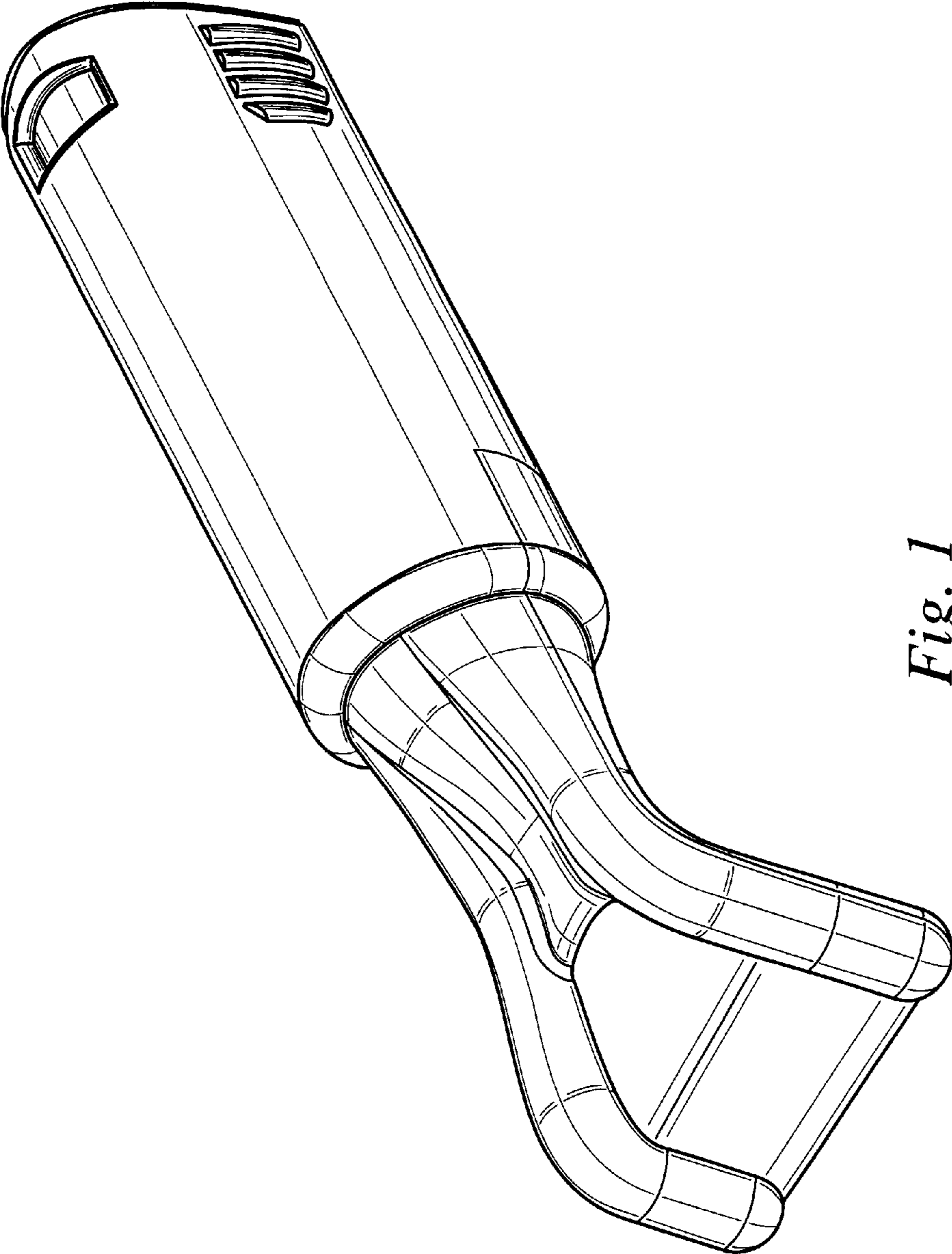
The ornamental design for a dental apparatus, as shown.

**DESCRIPTION**

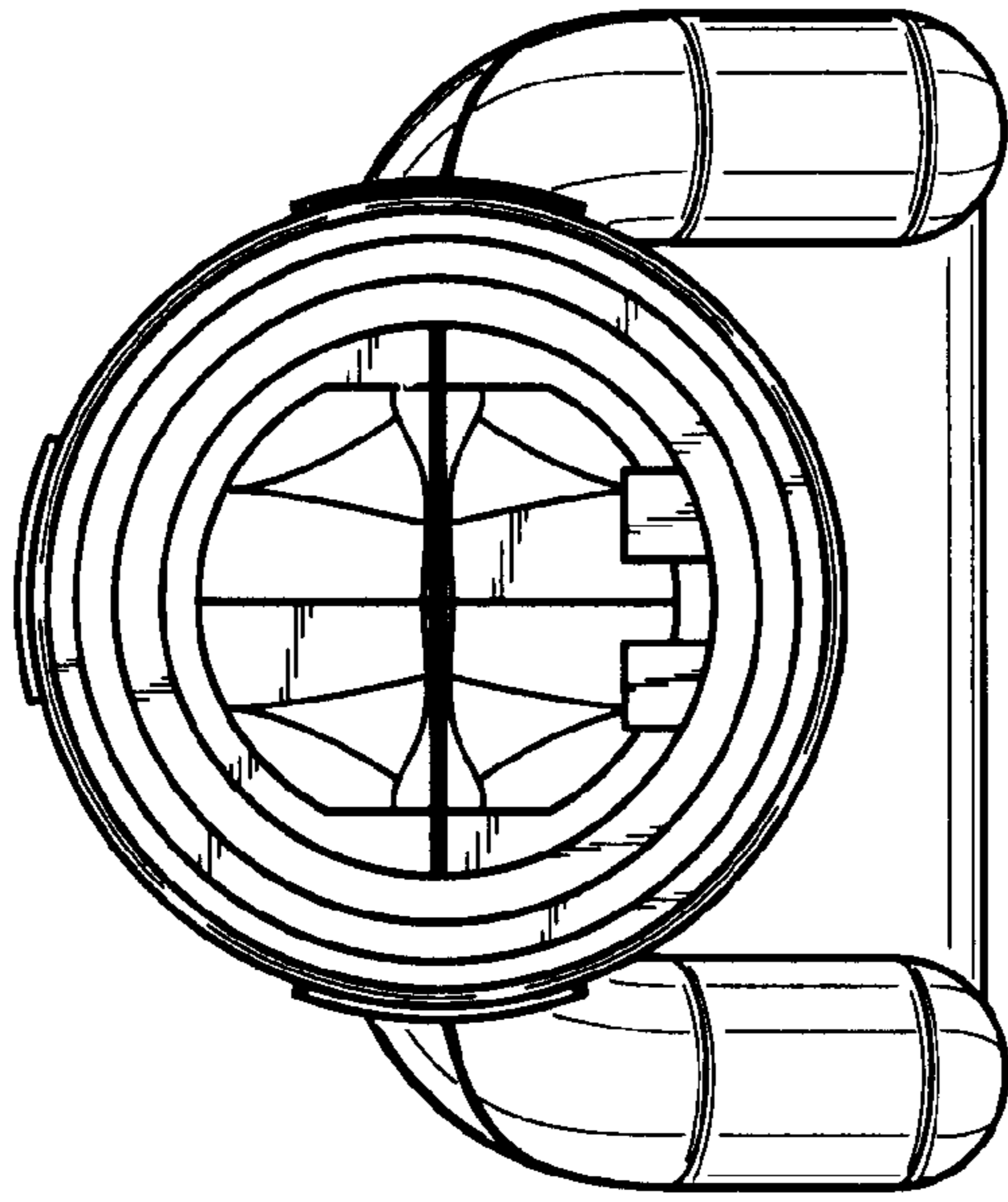
FIG. 1 is a perspective view of the top, front and right side of a dental apparatus showing our new design; FIG. 2 is a front elevational view thereof; FIG. 3 is a rear elevational view thereof; FIG. 4 is a right elevational view thereof; FIG. 5 is a left elevational view thereof; FIG. 6 is a top plan view thereof; and, FIG. 7 is a bottom plan view thereof.

**1 Claim, 4 Drawing Sheets**

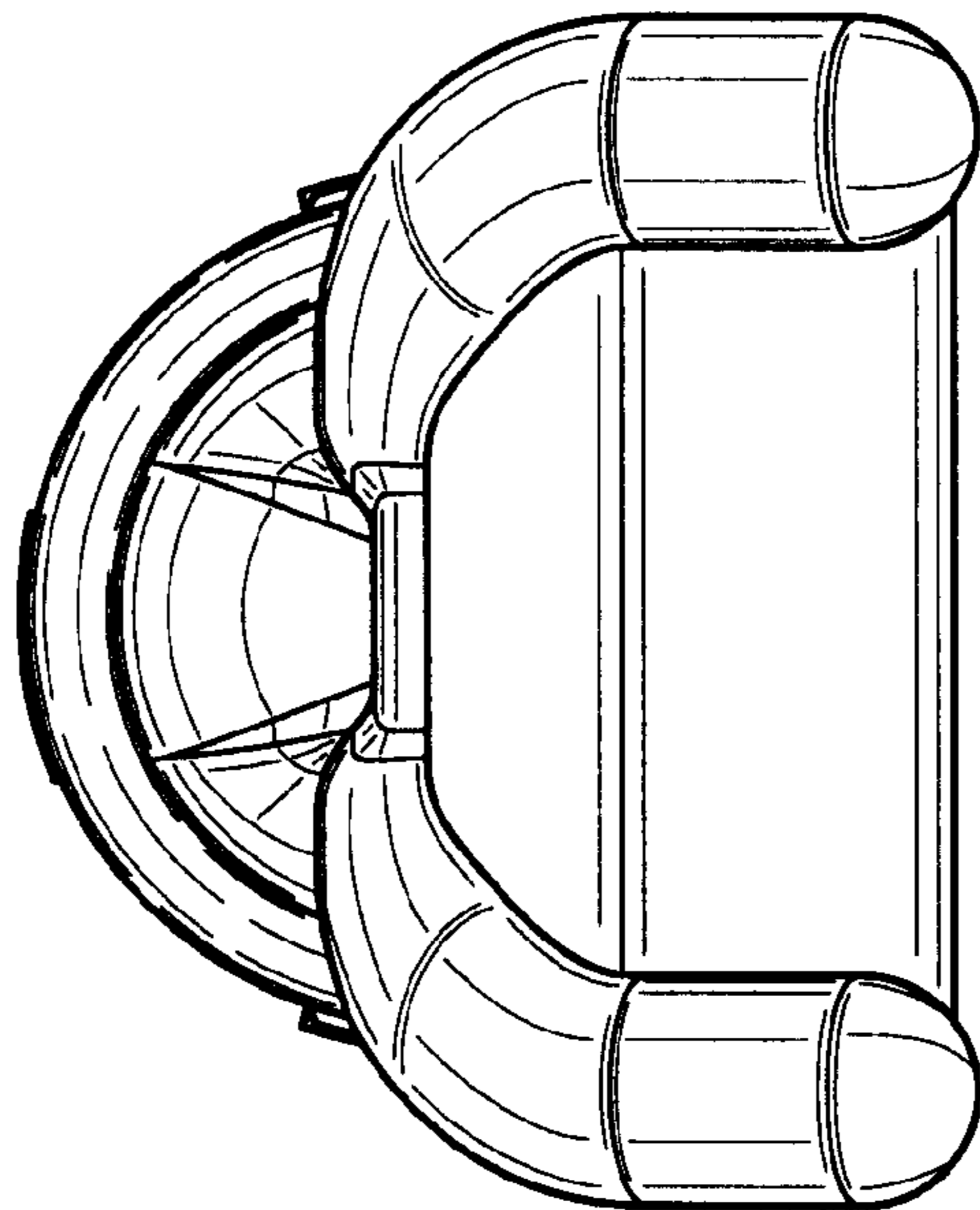




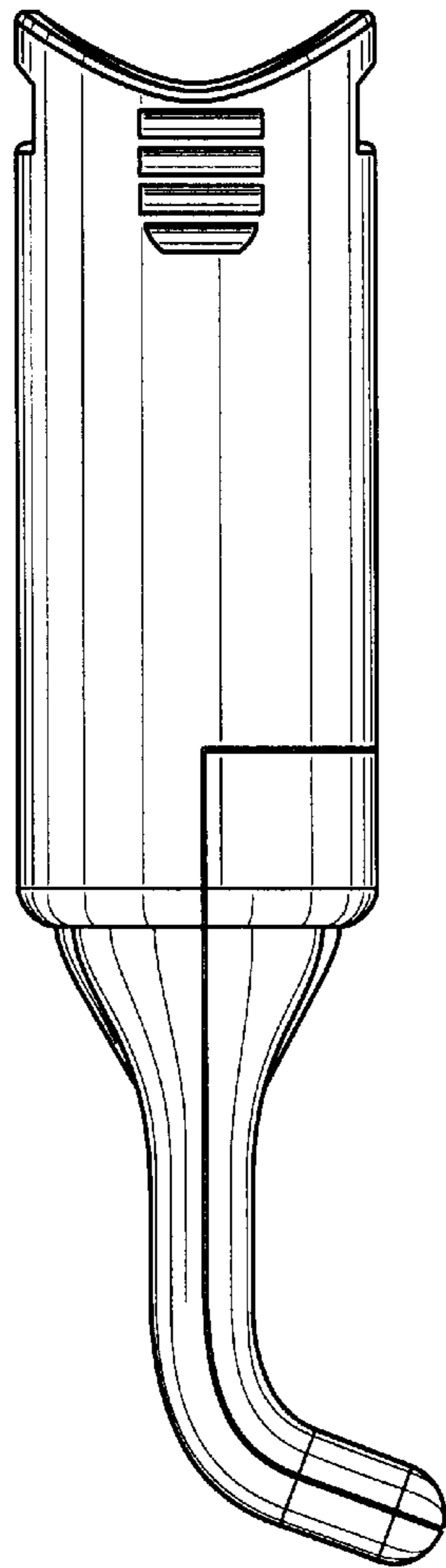
*Fig. 1*



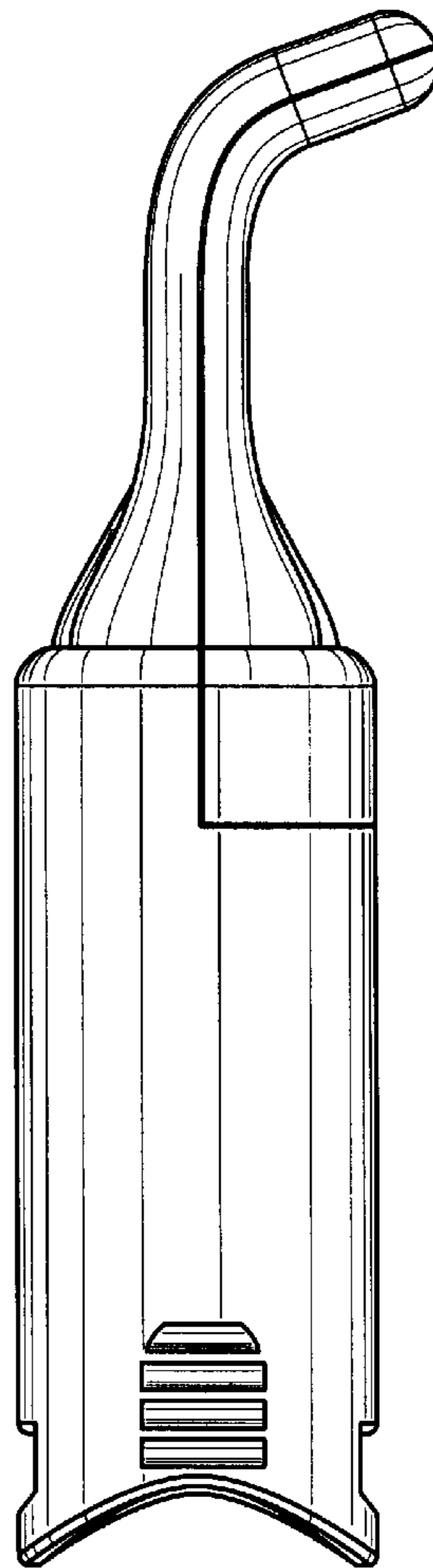
*Fig. 3*



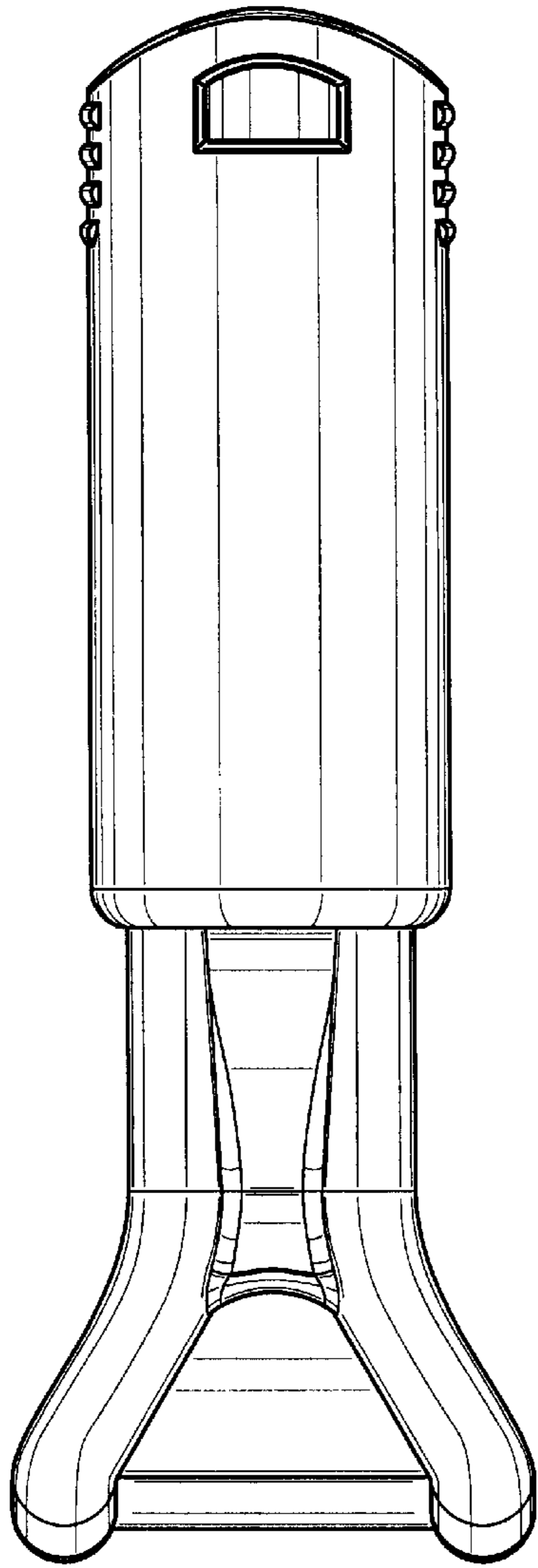
*Fig. 2*



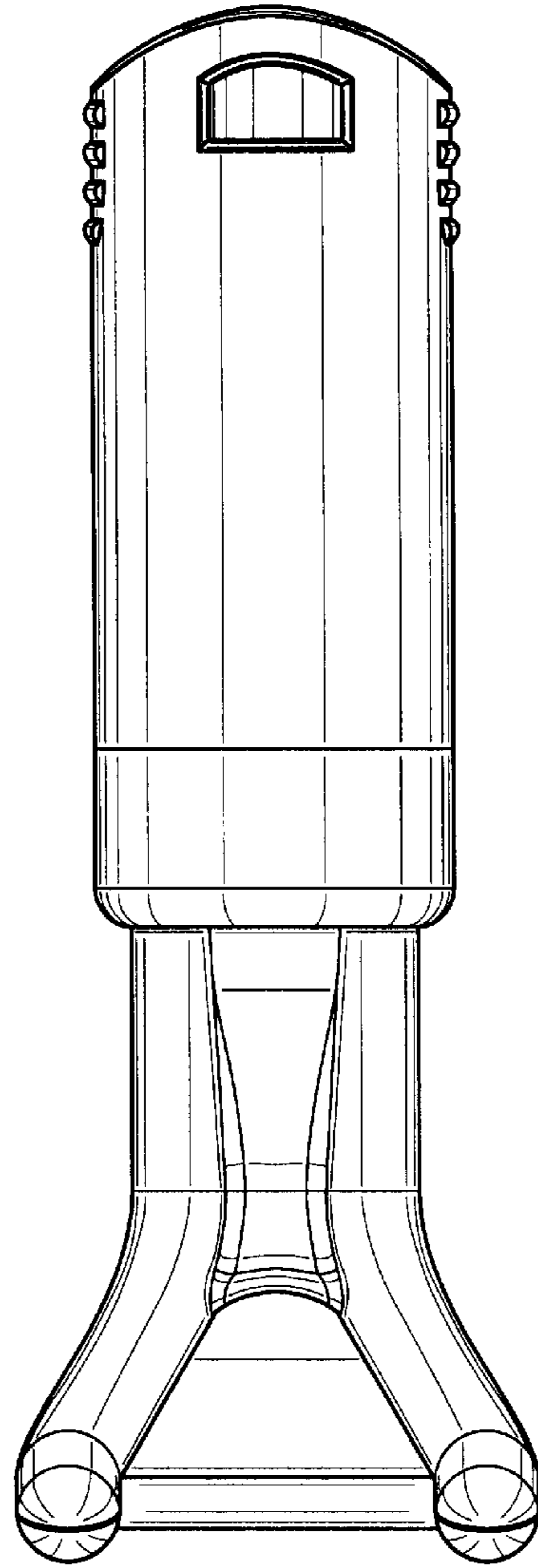
*Fig. 4*



*Fig. 5*



*Fig. 6*



*Fig. 7*