



US00D539471S

(12) **United States Design Patent**
Ruan

(10) **Patent No.:** **US D539,471 S**

(45) **Date of Patent:** **** Mar. 27, 2007**

(54) **LIGHTER**

(76) Inventor: **Jun Jun Ruan**, 614 Hathaway Ave.,
Monterey Park, CA (US) 91754

(**) Term: **14 Years**

(21) Appl. No.: **29/260,523**

(22) Filed: **May 26, 2006**

(51) **LOC (8) Cl.** **27-05**

(52) **U.S. Cl.** **D27/154**

(58) **Field of Classification Search** D27/141-161;
431/129, 143, 153, 253-256, 273-277
See application file for complete search history.

(56) **References Cited**

U.S. PATENT DOCUMENTS

- D310,427 S * 9/1990 Nitta D27/154
- D452,931 S * 1/2002 Capilla D27/154
- D465,879 S * 11/2002 Abouni D27/154

D512,179 S * 11/2005 Ruan D27/156

* cited by examiner

Primary Examiner—Jennifer Rivard

(74) *Attorney, Agent, or Firm*—Qin Zhang

(57) **CLAIM**

The ornamental design for a lighter, as shown and described.

DESCRIPTION

FIG. 1 is a perspective view of a lighter showing my new design;

FIG. 2 is a front elevational view thereof, the rear elevational view being a mirror image of thereof;

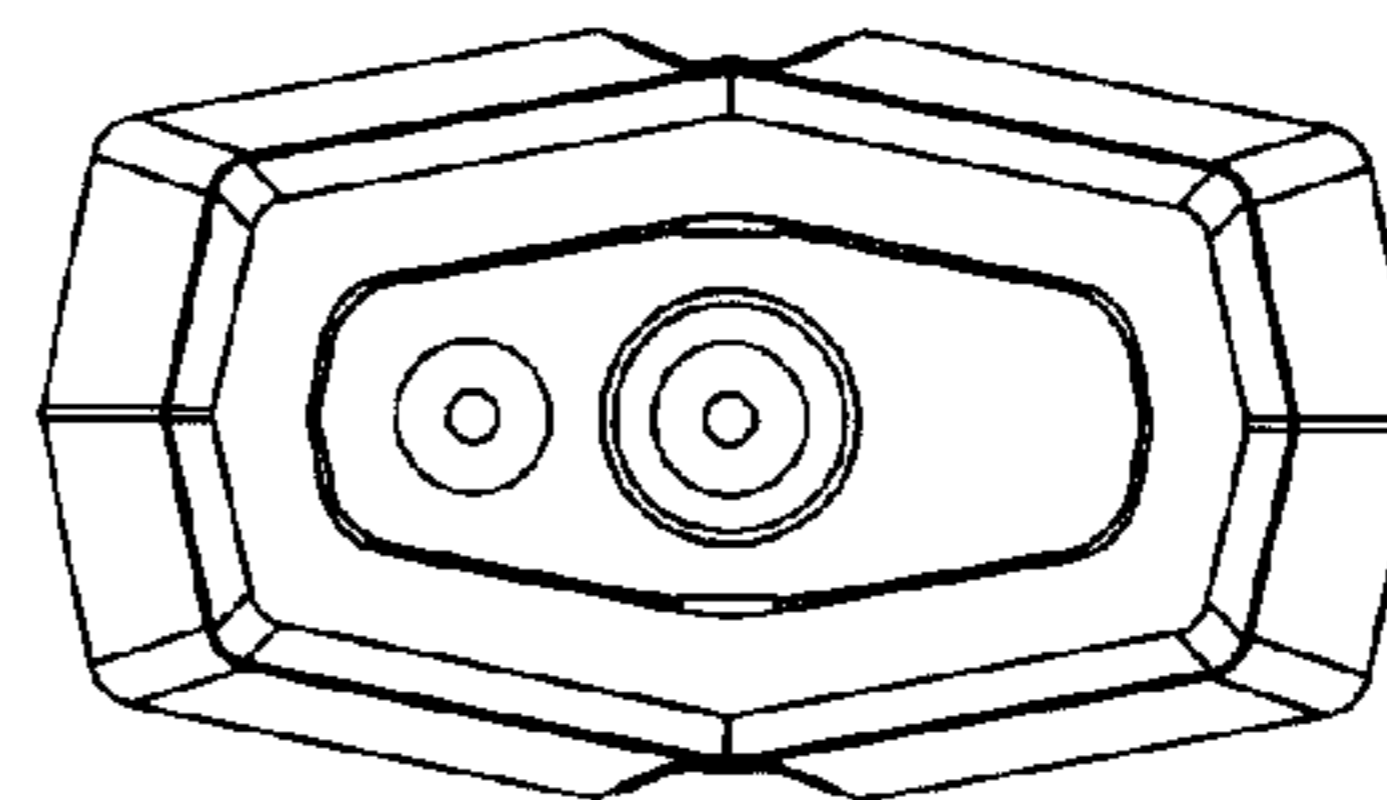
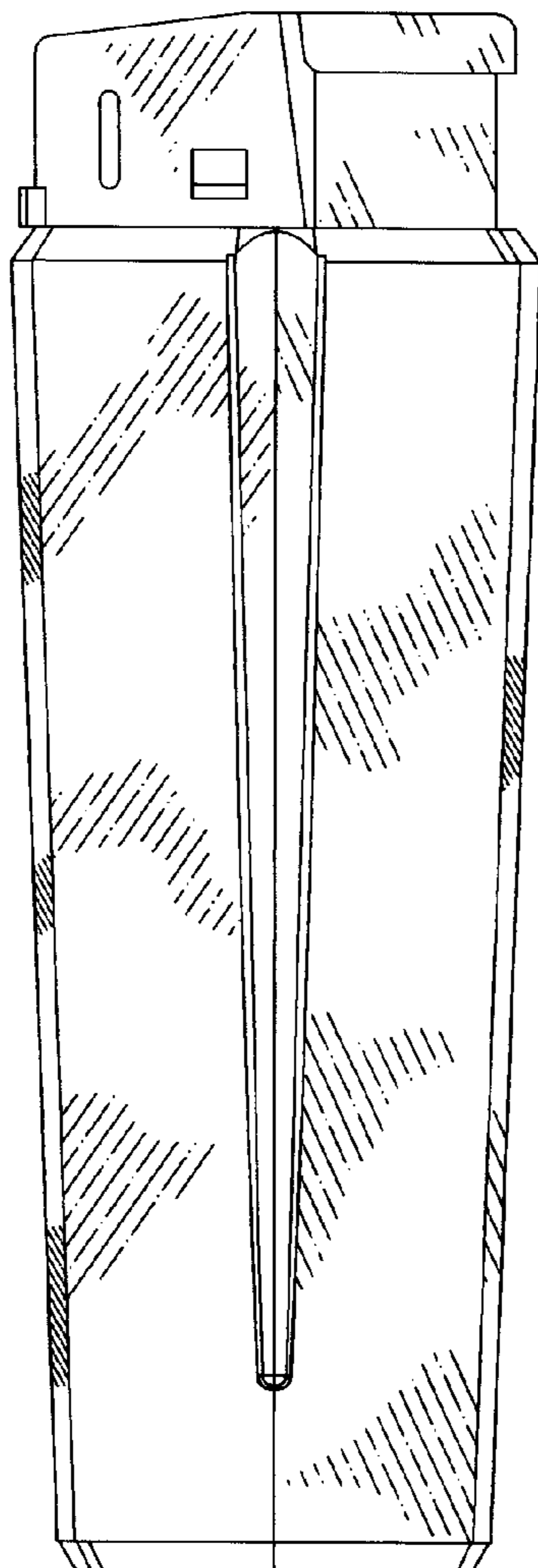
FIG. 3 is a left side elevational view thereof;

FIG. 4 is a right side elevational view thereof;

FIG. 5 is a top plan view thereof; and,

FIG. 6 is bottom plan view thereof.

1 Claim, 5 Drawing Sheets



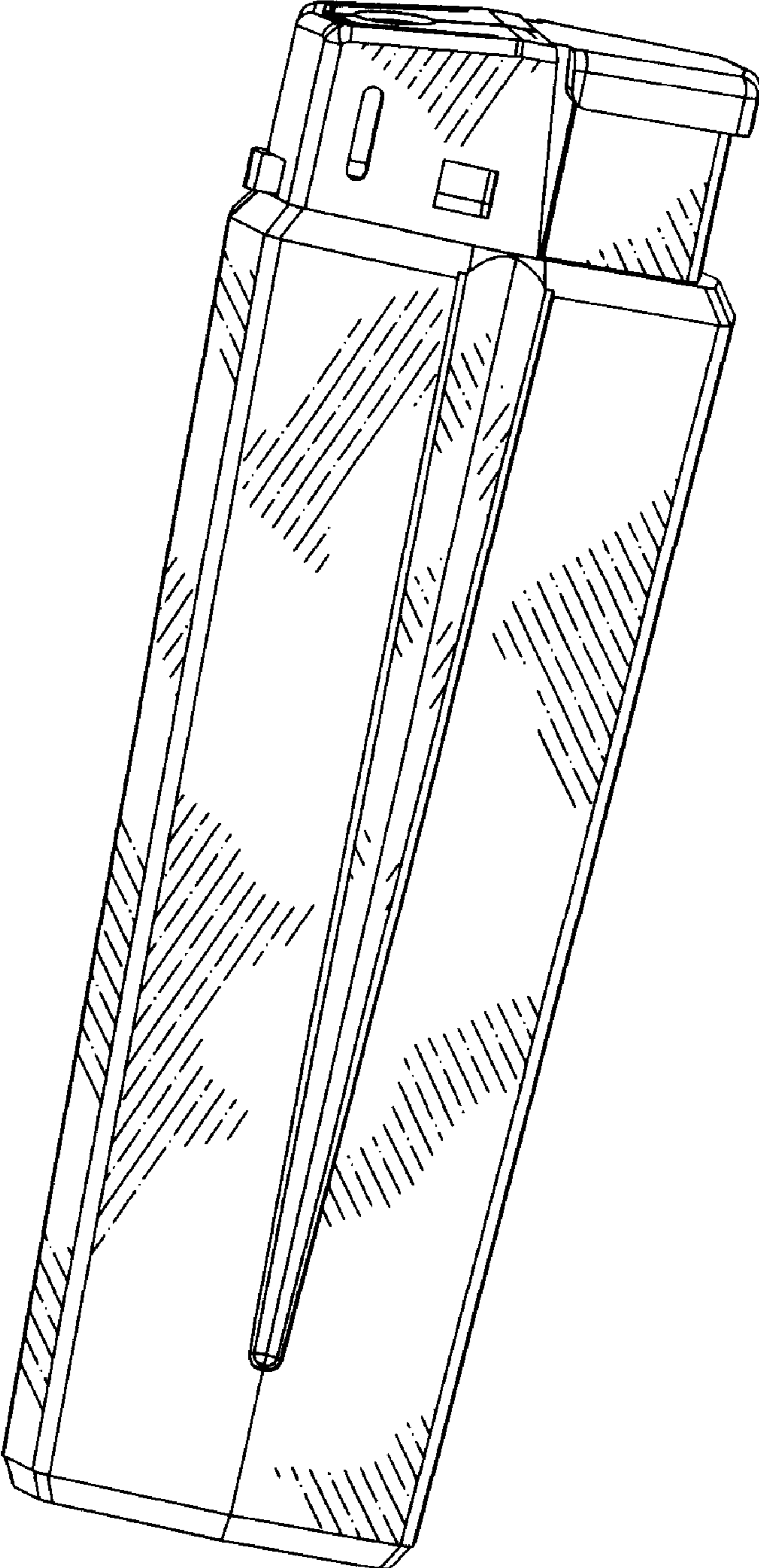


FIG. 1

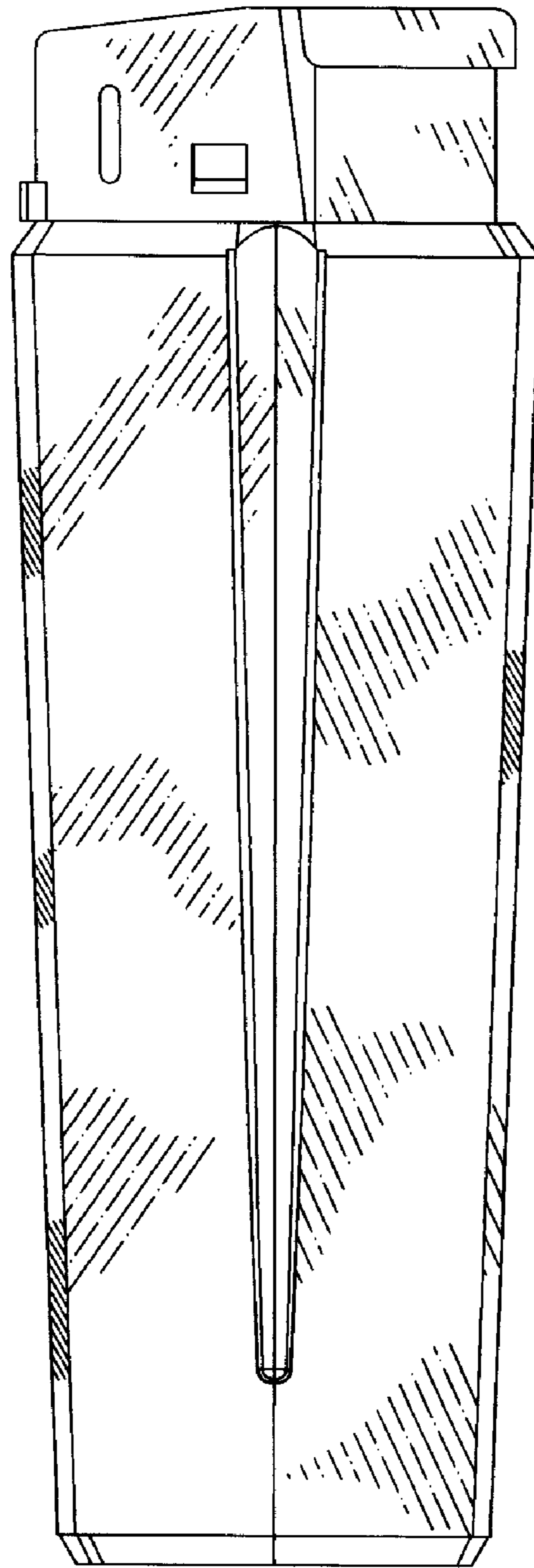


FIG. 2

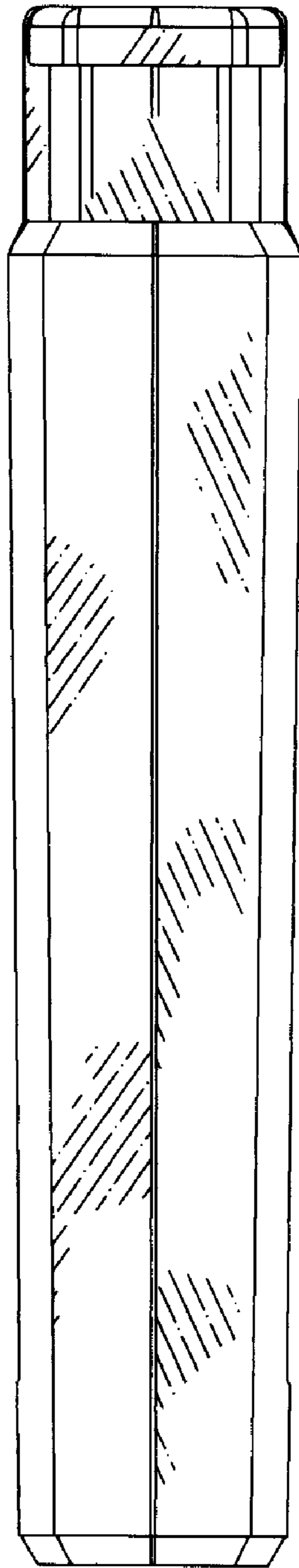


FIG. 3

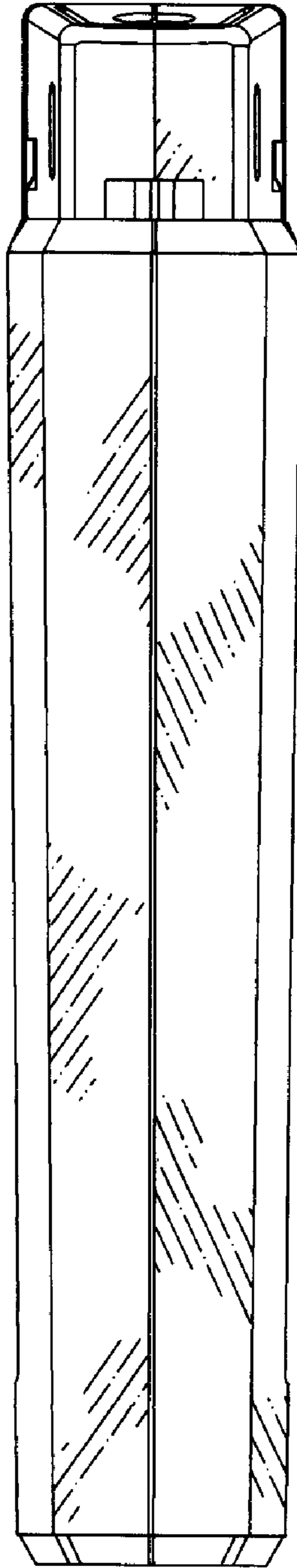


FIG. 4

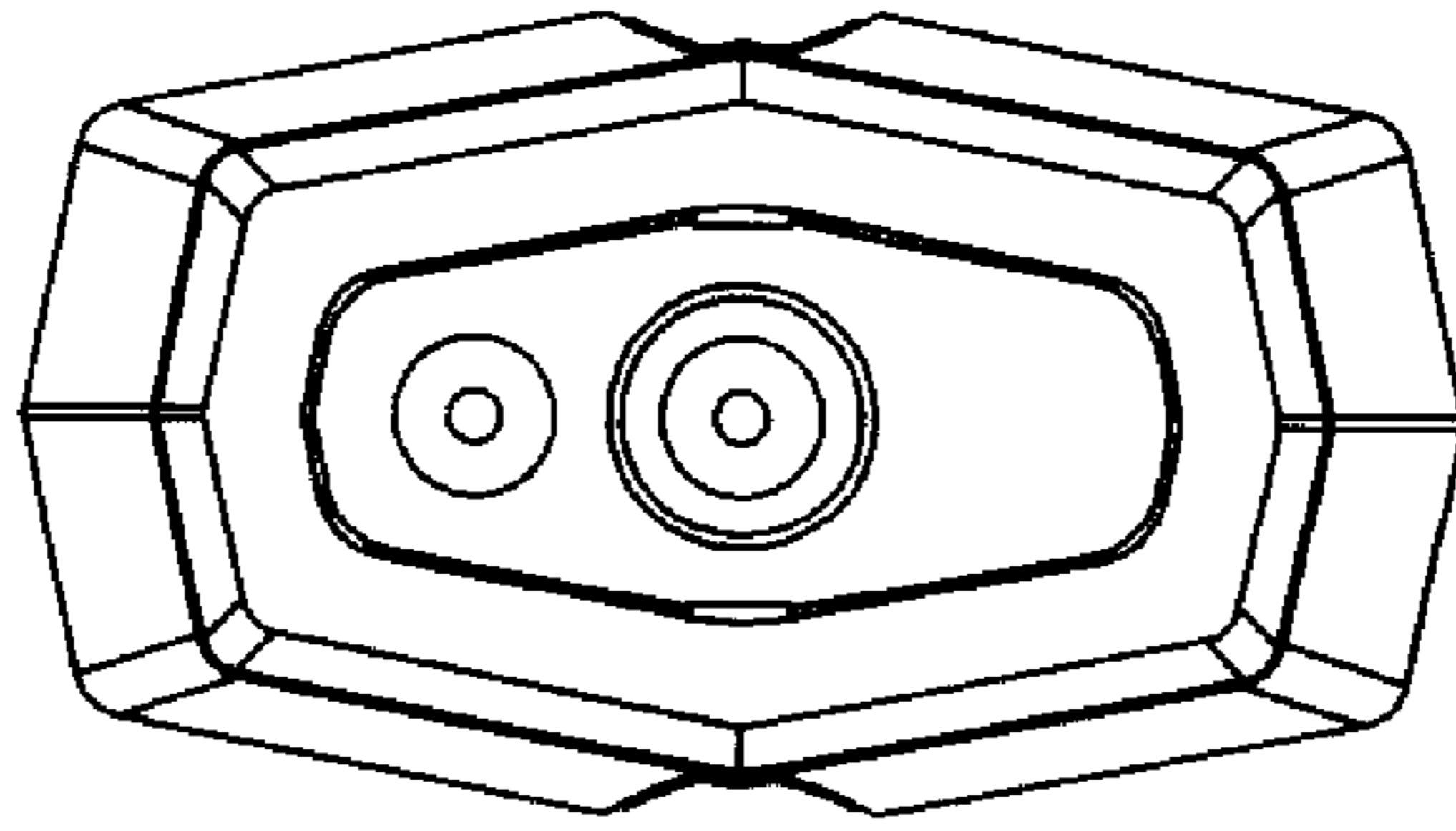


FIG. 5

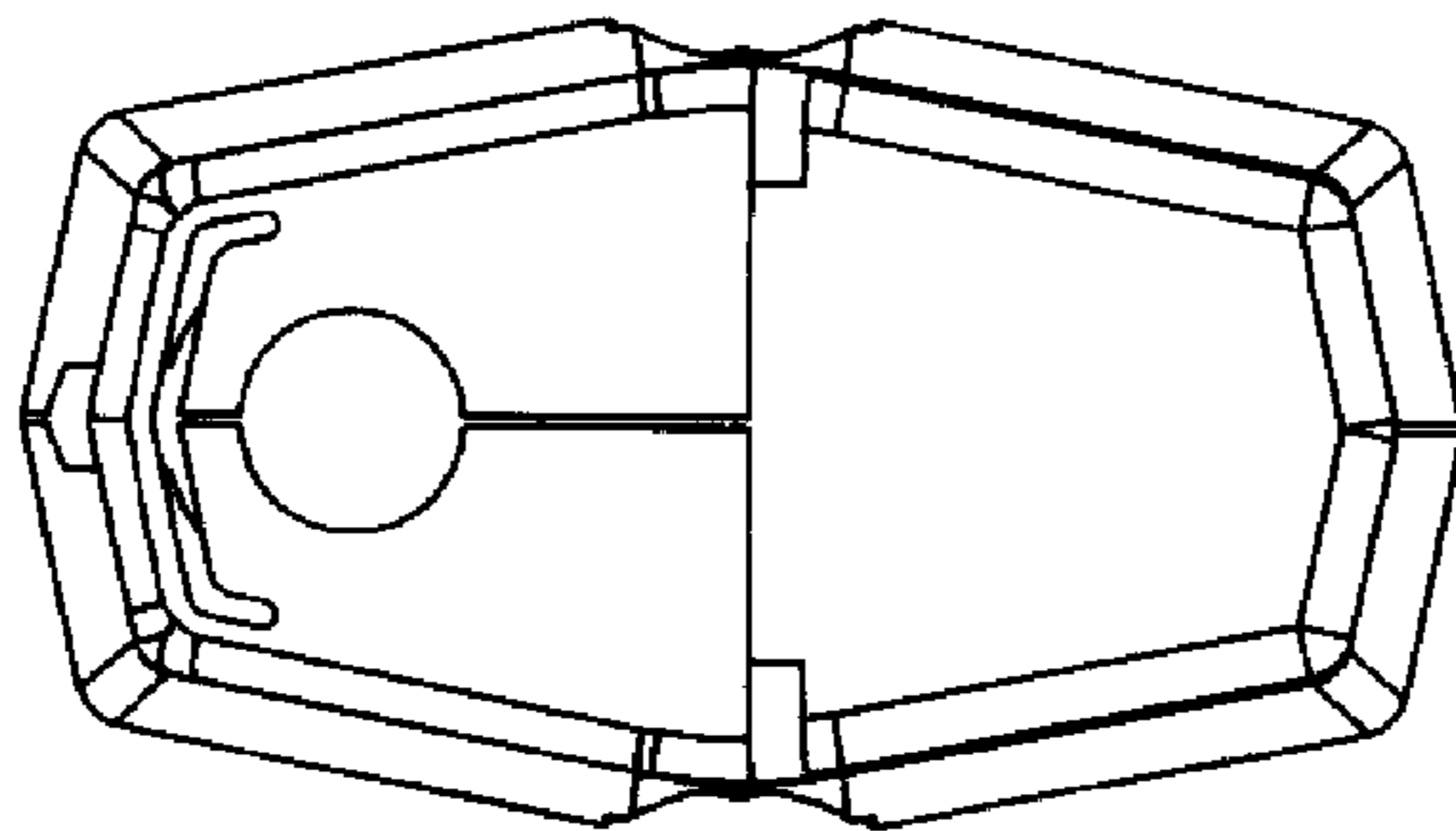


FIG. 6