



US00D539466S

(12) **United States Design Patent**
Layne

(10) **Patent No.:** **US D539,466 S**
(45) **Date of Patent:** **** Mar. 27, 2007**

(54) **PENDANT LIGHT**

(75) Inventor: **Bruce N. Layne**, Wheaton, IL (US)

(73) Assignee: **Juno Manufacturing, Inc.**, Des
Plaines, IL (US)

(**) Term: **14 Years**

(21) Appl. No.: **29/236,325**

(22) Filed: **Aug. 15, 2005**

(51) **LOC (8) Cl.** **26-99**

(52) **U.S. Cl.** **D26/128**

(58) **Field of Classification Search** D26/131,
D26/135, 86, 90, 85, 84, 81, 128, 88, 142,
D26/132, 134, 92, 72, 23, 24, 68, 79, 83,
D26/113, 118, 119, 137; 362/257, 266, 317,
362/350, 340, 351, 355, 356, 362, 363
See application file for complete search history.

(56) **References Cited**

U.S. PATENT DOCUMENTS

D4,217 S	*	7/1870	Dorflinger	D26/132
D5,817 S	*	4/1872	Wellman	D26/132
D24,472 S	*	7/1895	Buttler	D26/132
D25,661 S	*	6/1896	Ballou	D26/134
D28,183 S	*	1/1898	Van Houten	D26/132
D30,081 S	*	1/1899	Marsh	D26/132
1,046,152 A	*	12/1912	Depster	362/363
1,371,761 A	*	3/1921	Halvorson, Jr.	362/343
D280,240 S	*	8/1985	Burket et al.	D26/132
D285,123 S	*	8/1986	Schwartz	D26/118
D362,646 S	*	9/1995	Rahr	D11/153
D371,621 S	*	7/1996	Porter	D26/81
D390,998 S	*	2/1998	Markee	D26/85
D403,459 S	*	12/1998	Dolan	D26/88

D424,737 S	*	5/2000	Hsu	D26/134
D434,168 S	*	11/2000	Hsieh	D26/81
D436,209 S	*	1/2001	De'Armond	D26/72
D438,332 S	*	2/2001	Pratt	D26/131
D445,528 S	*	7/2001	Nicholas	D26/84
D461,268 S	*	8/2002	Hsu	D26/86
D481,157 S	*	10/2003	Fickas et al.	D26/128
D488,882 S	*	4/2004	Dolan	D26/90
D494,310 S	*	8/2004	Cline et al.	D26/128

* cited by examiner

Primary Examiner—Freda S. Nunn

Assistant Examiner—Kevin K. Rudzinzki

(74) *Attorney, Agent, or Firm*—Sonnenschein Nath &
Rosenthal LLP

(57) **CLAIM**

The ornamental design for a pendant light, as shown and described.

DESCRIPTION

FIG. 1 is a perspective view of a pendant light showing the new design;

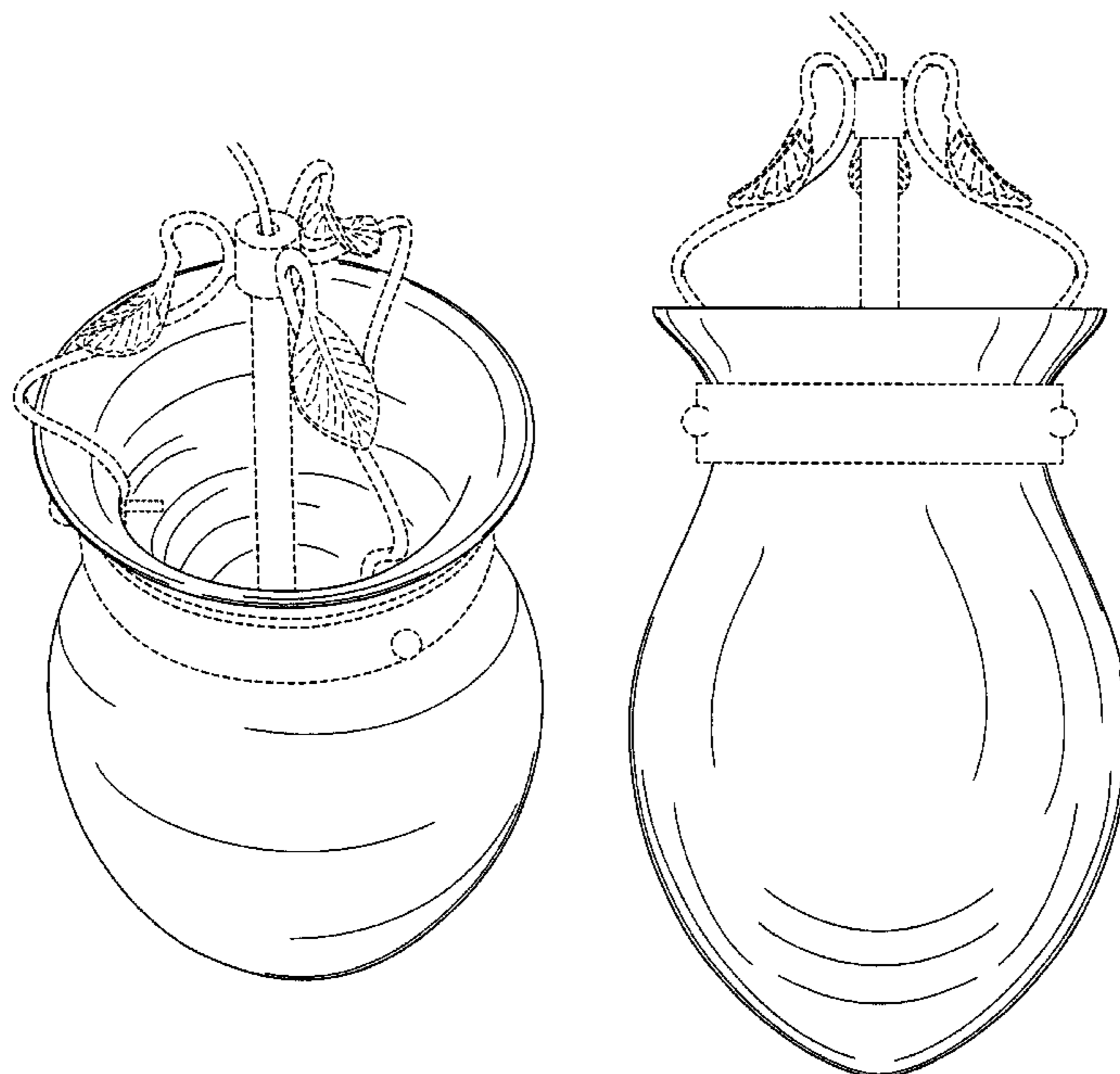
FIG. 2 is a side elevational view of the pendant light as shown in FIG. 1;

FIG. 3 is an opposite side elevational view of the pendant light as shown in FIG. 1; and,

FIG. 4 is a bottom view of the pendant light as shown in FIG. 1.

Features shown in dashed lines immediately adjacent the shaded areas or adjacent the solid lines represent the bounds of the claim and all other dashed lines are for illustrative purposes only. None of the dashed lines form a part of the claimed design.

1 Claim, 2 Drawing Sheets



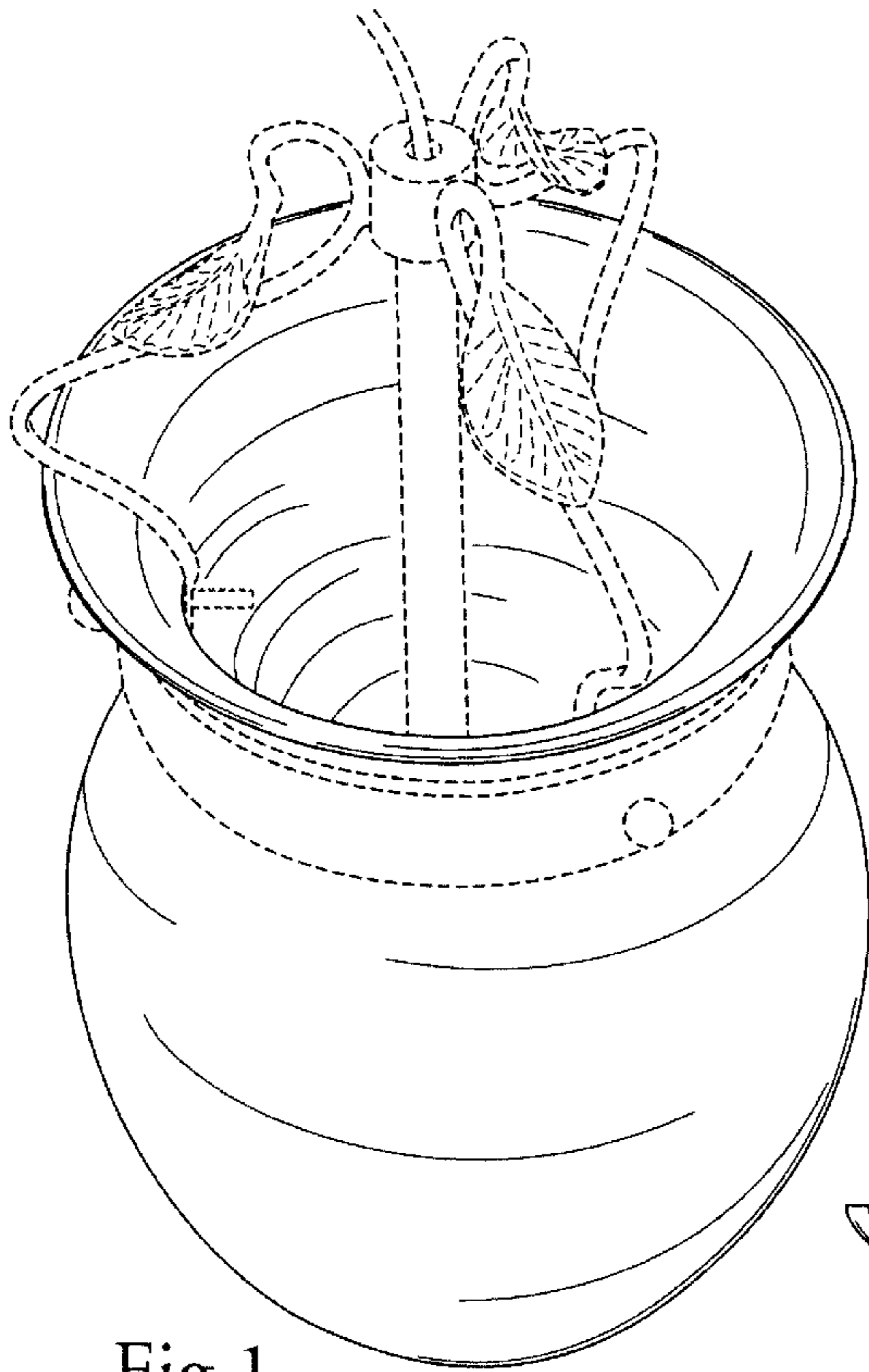


Fig 1

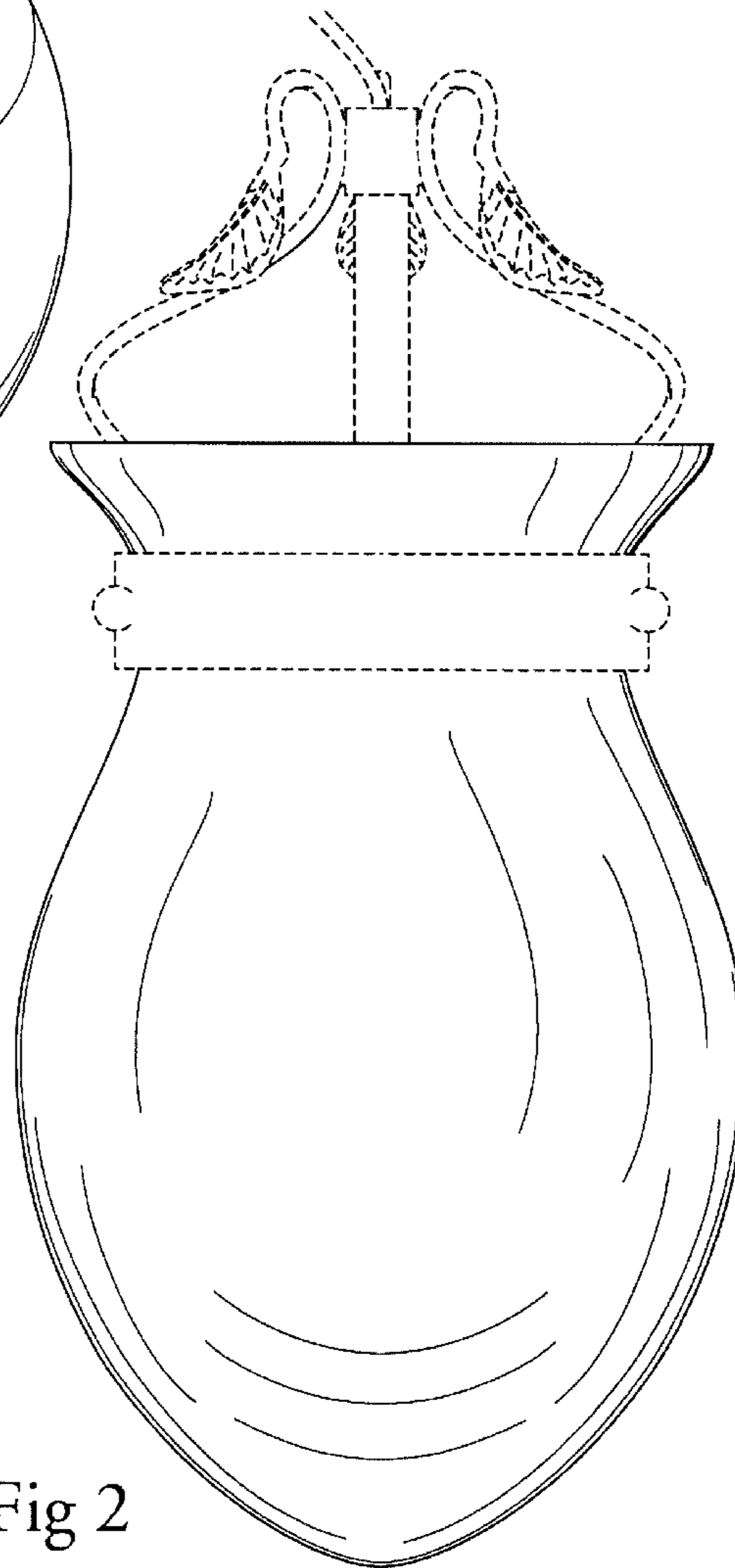


Fig 2

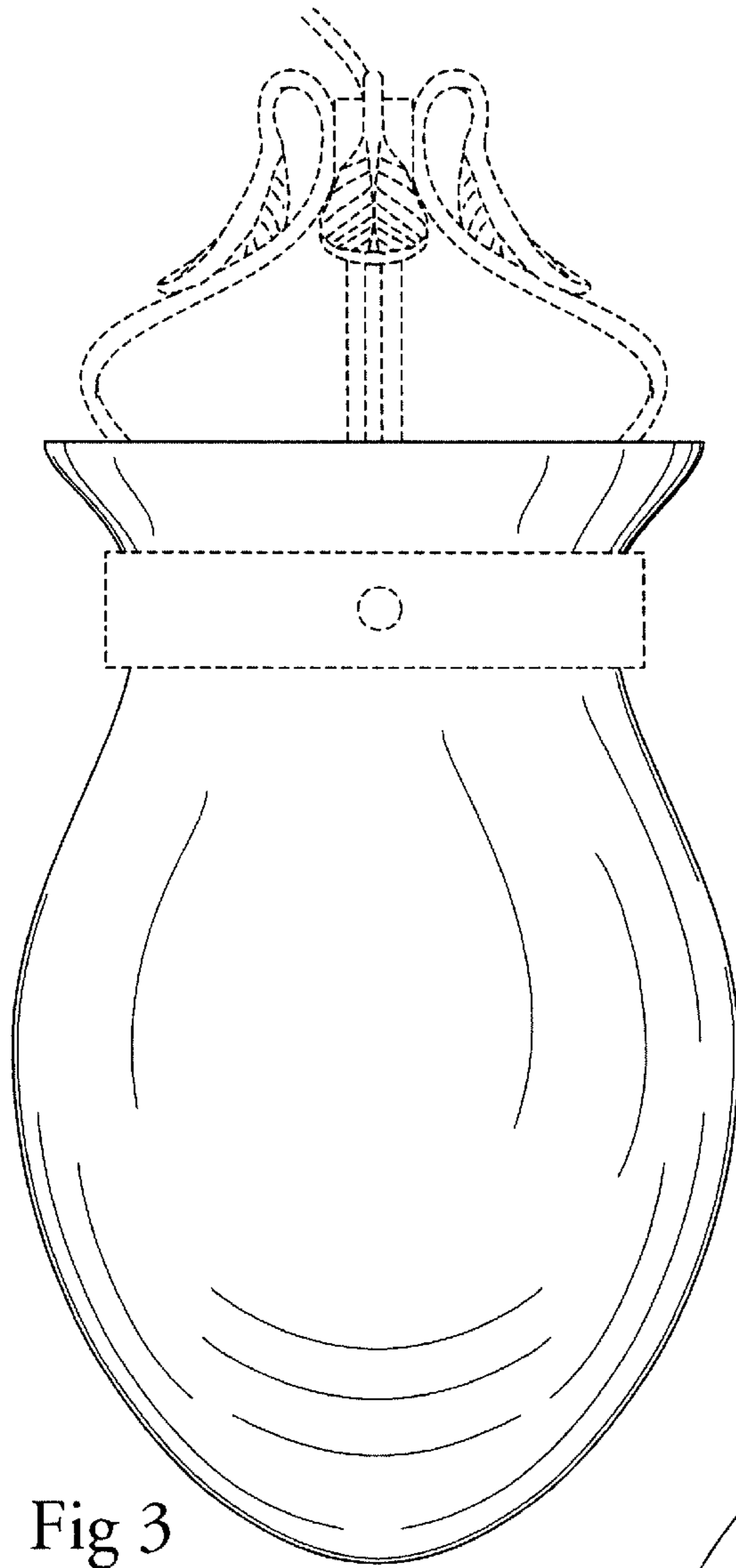


Fig 3

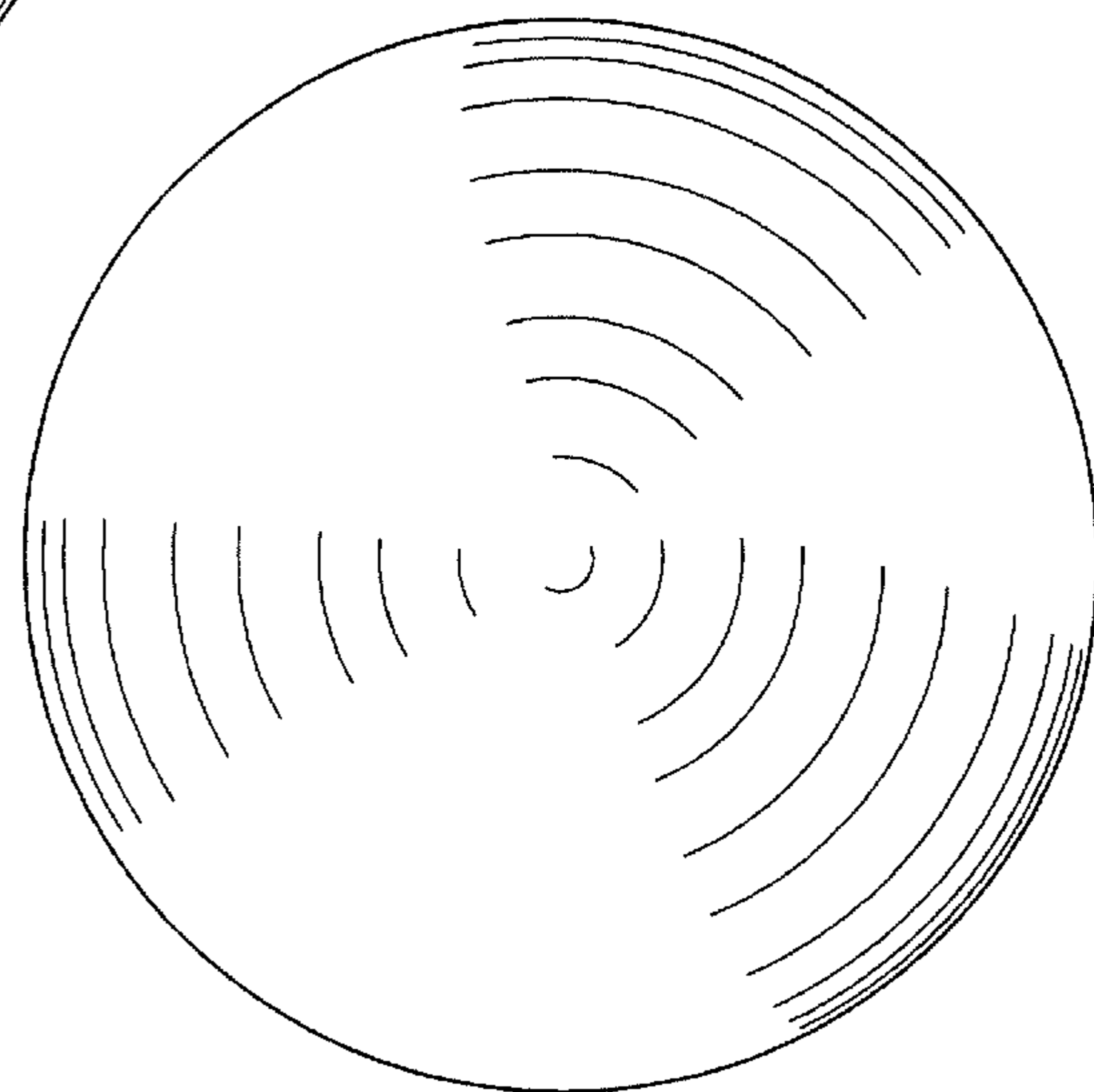


Fig 4