



US00D539464S

(12) **United States Design Patent**
Dworschak

(10) **Patent No.:** **US D539,464 S**
(45) **Date of Patent:** **** Mar. 27, 2007**

(54) **ELECTRICAL LIGHTING FIXTURE**

(75) Inventor: **Alois Dworschak**, Lüdenscheid (DE)

(73) Assignee: **Erco Leuchten GmbH**, Ludenscheid (DE)

(**) Term: **14 Years**

(21) Appl. No.: **29/199,649**

(22) Filed: **Feb. 18, 2004**

(30) **Foreign Application Priority Data**

Aug. 18, 2003 (EM) 64647

(51) **LOC (8) Cl.** **26-03**

(52) **U.S. Cl.** **D26/92; D26/63**

(58) **Field of Classification Search** D26/63-68,
D26/72, 87, 92; 362/147, 367, 368, 427,
362/430, 431, 432, 267, 269, 281, 285, 287,
362/418, 419

See application file for complete search history.

(56) **References Cited**

U.S. PATENT DOCUMENTS

D381,106 S * 7/1997 Brohard et al. D26/67

D413,176 S * 8/1999 Mier-Langner D26/63
D443,940 S * 6/2001 Donato D26/63
D490,925 S * 6/2004 Wilmotte D26/63
D495,080 S * 8/2004 Wilmotte D26/63
D518,909 S * 4/2006 Mullen D26/61

* cited by examiner

Primary Examiner—Clare E Heflin

(74) *Attorney, Agent, or Firm*—Andrew Wilford

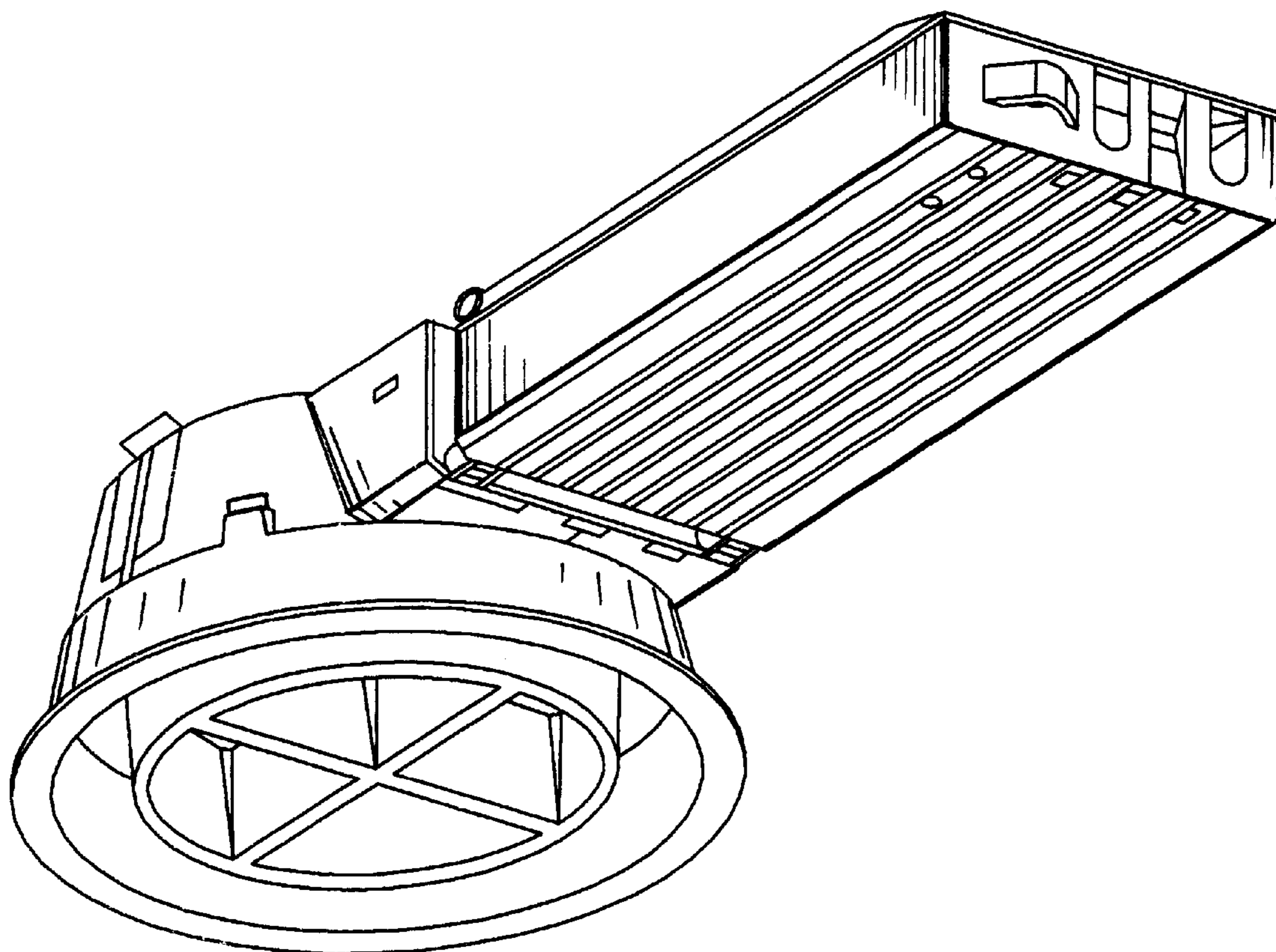
(57) **CLAIM**

The ornamental design for an electrical lighting fixture, as shown and described.

DESCRIPTION

FIG. 1 is a bottom, left side front perspective view of a lighting fixture showing my new design;
FIG. 2 is a top left side rear perspective view thereof, the right side being mirror-symmetrical to the left side;
FIG. 3 is a top view thereof;
FIG. 4 is a front view thereof;
FIG. 5 is a rear view thereof;
FIG. 6 is a left side elevational view thereof; and,
FIG. 7 is a bottom plan view thereof.

1 Claim, 6 Drawing Sheets



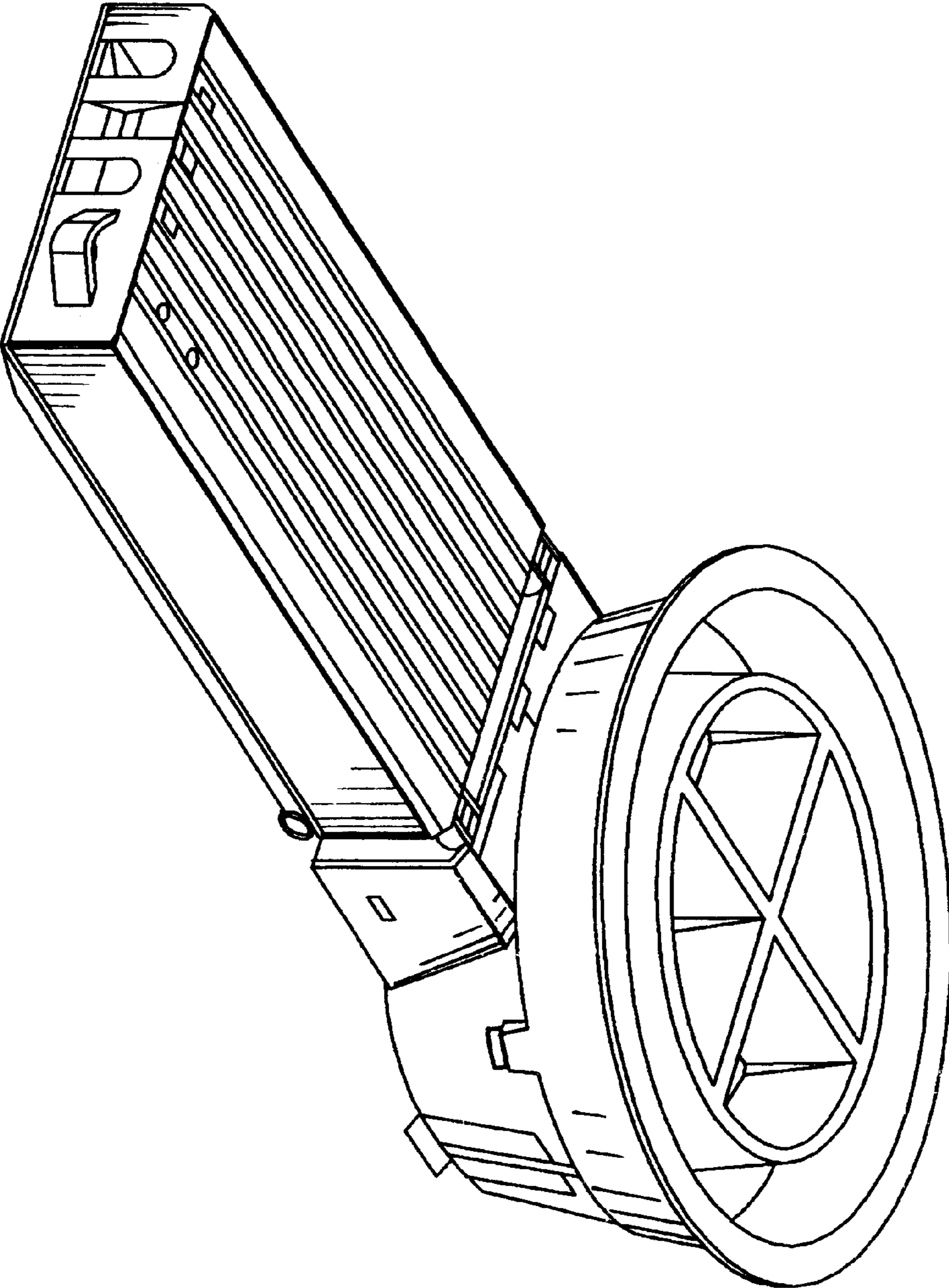


FIG. 1

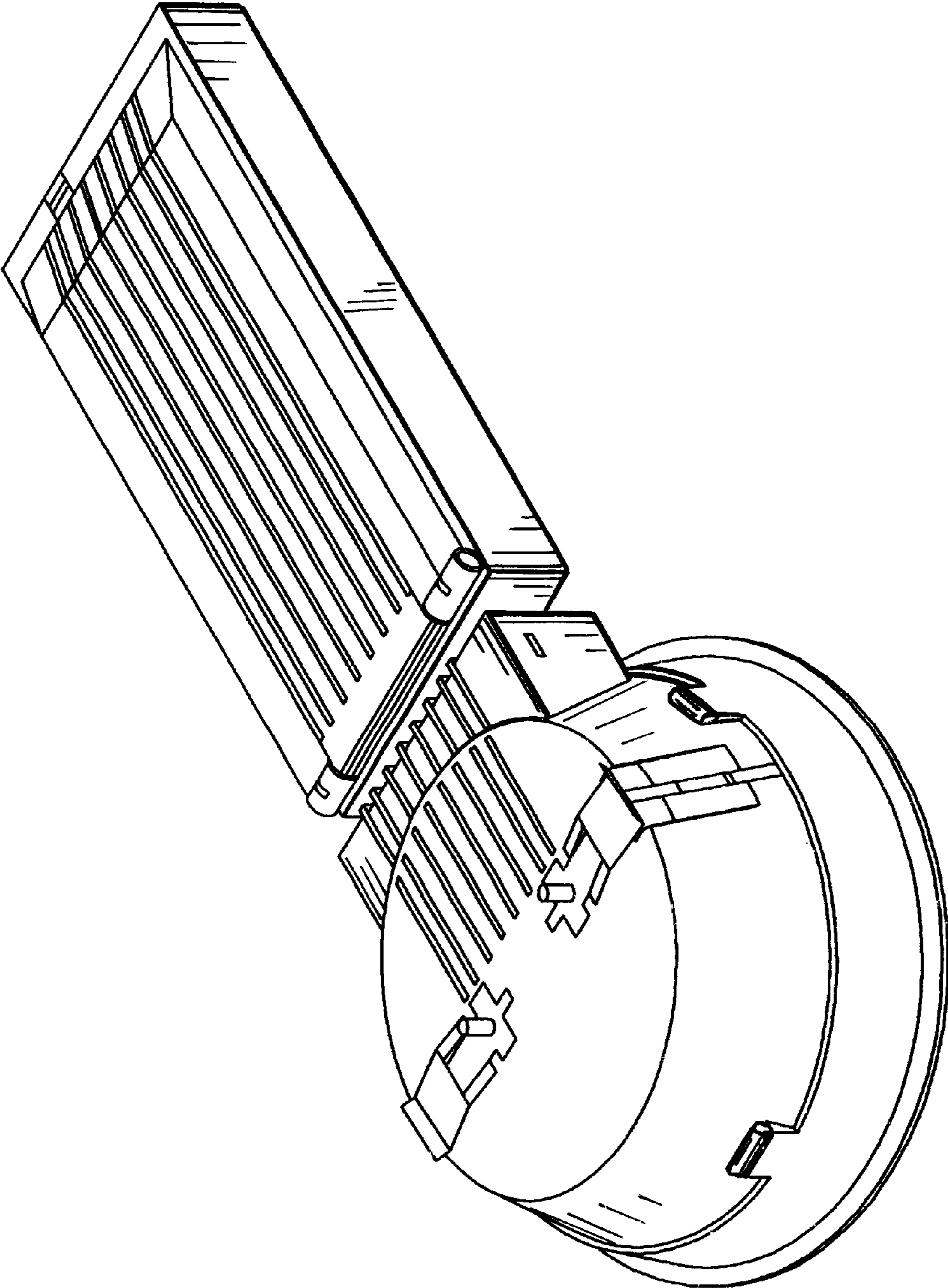


FIG. 2

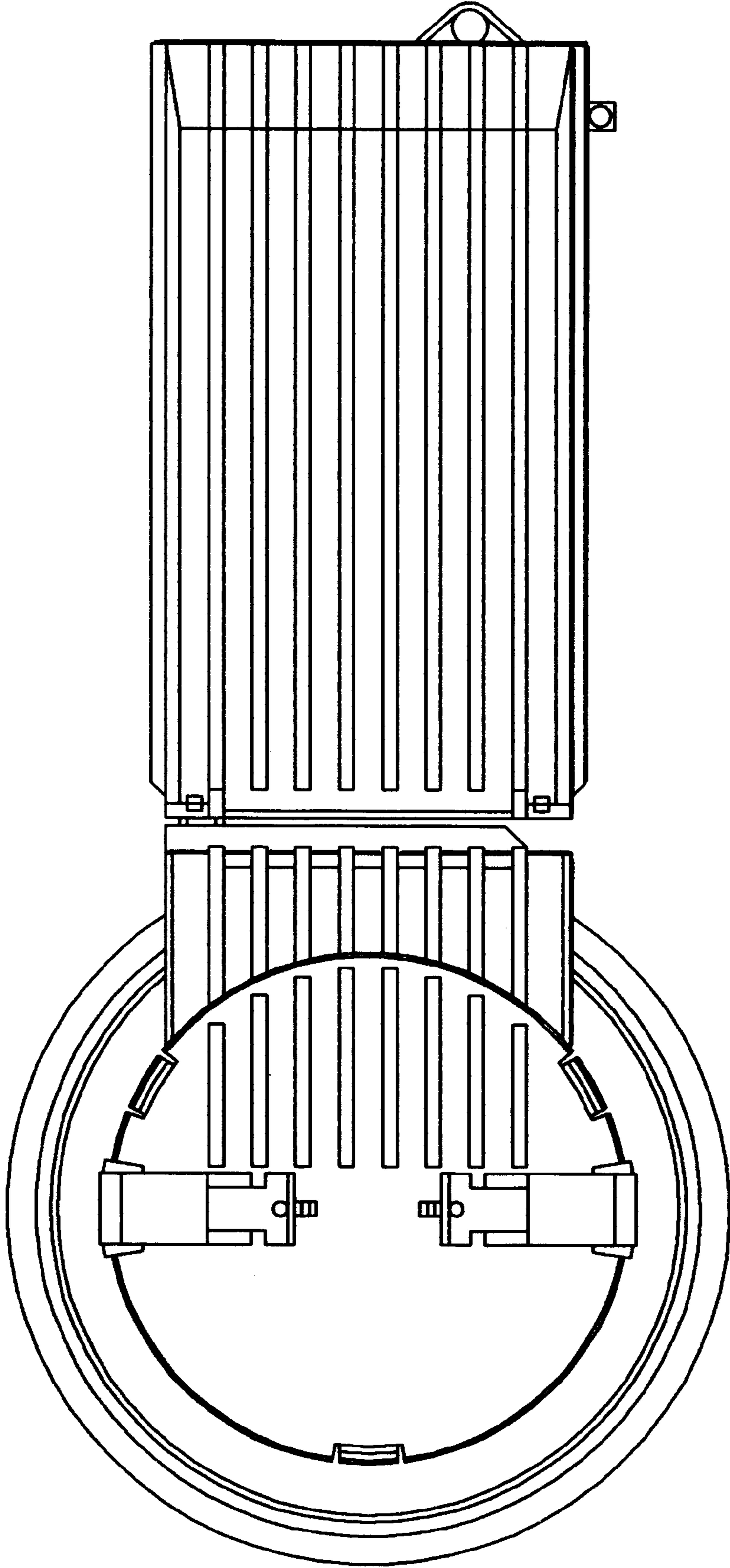


FIG. 3

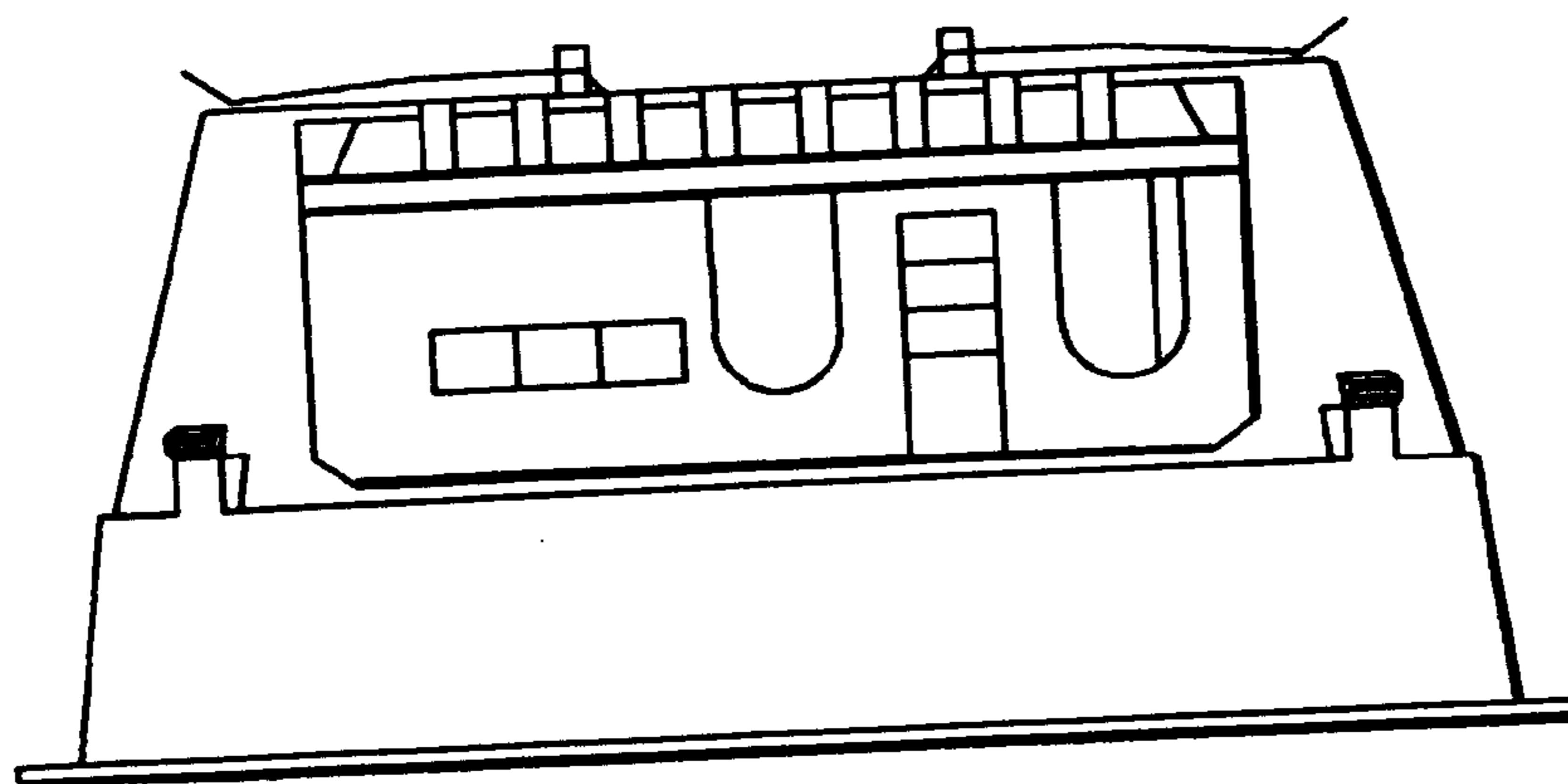


FIG. 4

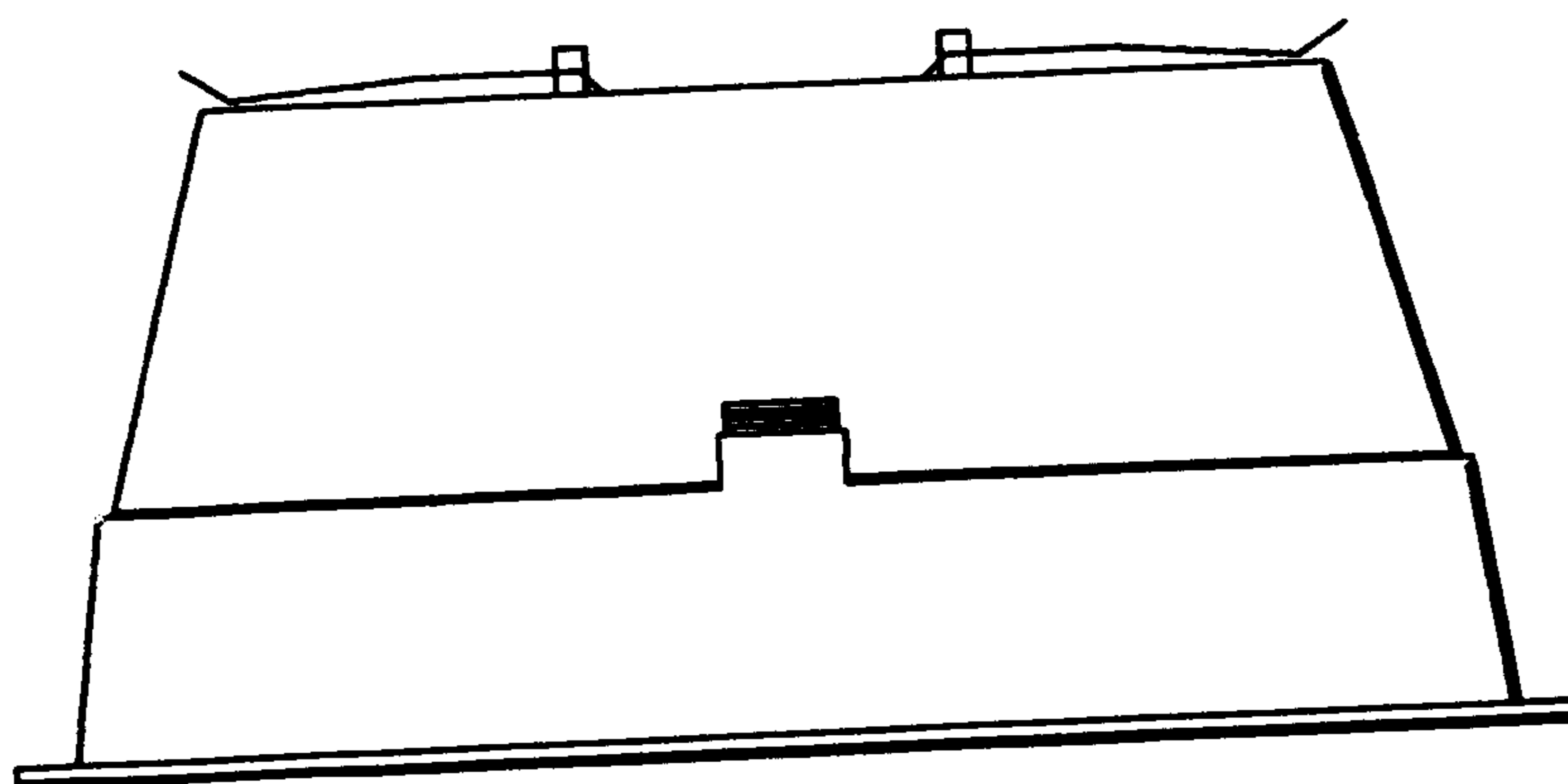


FIG. 5

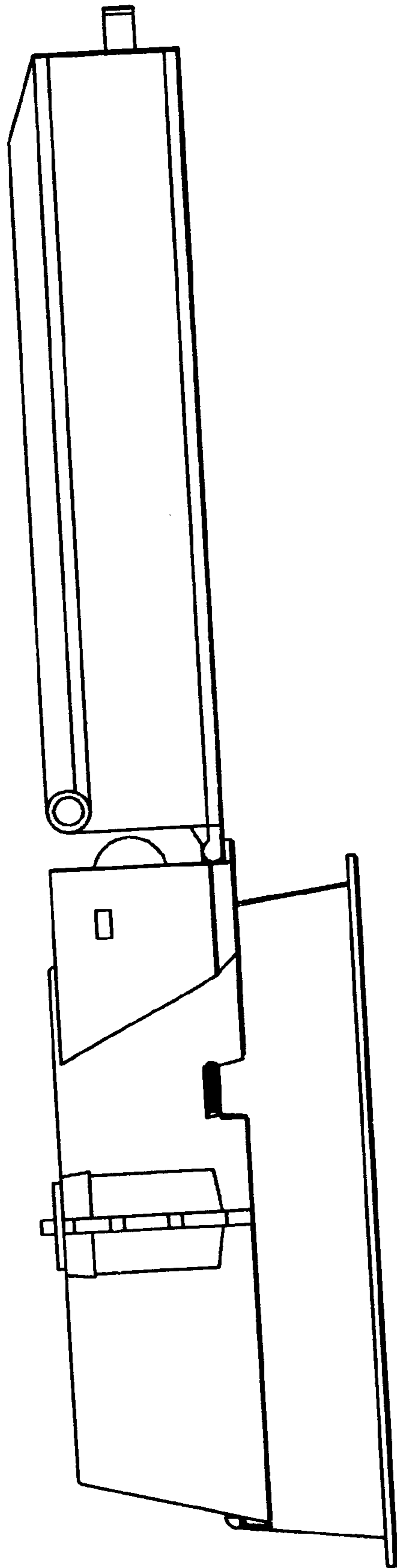


FIG. 6

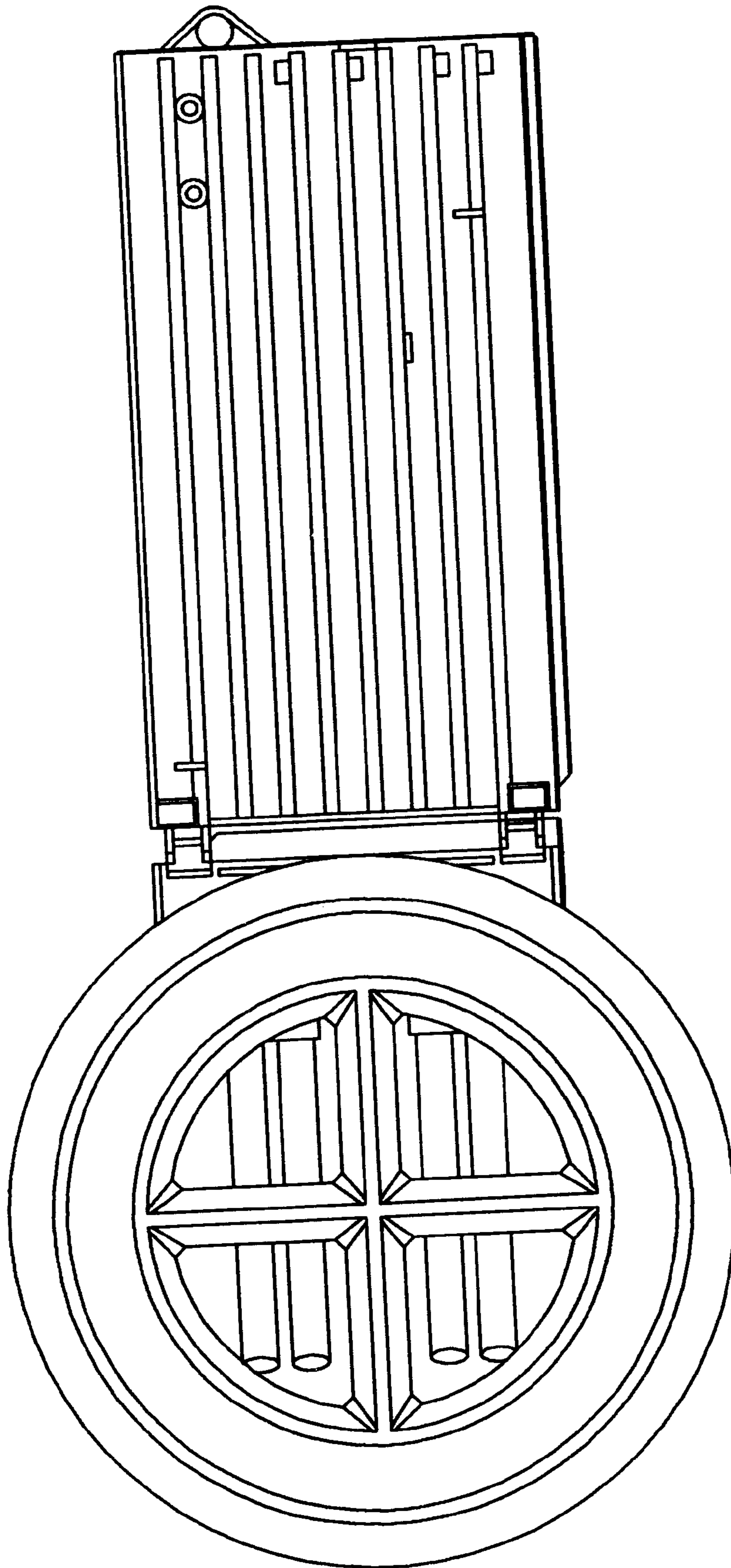


FIG. 7