



US00D539461S

(12) **United States Design Patent**
Deron

(10) **Patent No.:** **US D539,461 S**

(45) **Date of Patent:** **** Mar. 27, 2007**

(54) **WALL LIGHT FIXTURE**

(75) Inventor: **Ivo O. Deron**, Inman, SC (US)

(73) Assignee: **Hubbell Incorporated**, Orange, CT (US)

(**) Term: **14 Years**

(21) Appl. No.: **29/230,989**

(22) Filed: **May 31, 2005**

(51) **LOC (8) Cl.** **26-03**

(52) **U.S. Cl.** **D26/87; D26/92**

(58) **Field of Classification Search** D26/72,
D26/85-92, 138, 145, 155, 129, 130; 362/147,
362/404-408, 432

See application file for complete search history.

(56) **References Cited**

U.S. PATENT DOCUMENTS

D20,680 S	4/1891	Blair	
D31,237 S	7/1899	Duffner	
D33,553 S	11/1900	McHenry	
D37,967 S	4/1906	Mygatt	
D47,136 S	3/1915	Hotchkin	
D47,335 S	5/1915	Kopp	
D48,153 S	11/1915	Frary	
D48,158 S	11/1915	Morrell	
D52,412 S	9/1918	Strahan	
D63,285 S	* 11/1923	Dahl	D26/92
D164,908 S	* 10/1951	Folley	D26/87
D280,239 S	8/1985	Burket	
D285,123 S	8/1986	Schwartz	
D360,274 S	7/1995	Emmerling	
D367,936 S	* 3/1996	Kay	D26/87
D419,714 S	* 1/2000	Diaz-Azcuy	D26/87
D428,182 S	7/2000	Dolan	
D428,511 S	* 7/2000	Hsieh	D26/87

D441,488 S	*	5/2001	Benghozi	D26/87
D446,339 S		8/2001	Yang		
D464,458 S		10/2002	Lee		
D501,058 S	*	1/2005	Parres	D26/80

* cited by examiner

Primary Examiner—Clare E Heflin

(74) *Attorney, Agent, or Firm*—Royslance, Abrams, Berdo & Goodman, L.L.P.; Alfred N. Goodman

(57) **CLAIM**

The ornamental design for a wall light fixture, as shown and described.

DESCRIPTION

FIG. 1 is a perspective view of a lamp secured to a mounting plate according to a first embodiment of the present invention illustrating the new and ornamental design;

FIG. 2 is a front elevational view of the lamp and mounting plate illustrated in FIG. 1;

FIG. 3 is a right side elevational view of the lamp and mounting plate illustrated in FIGS. 1-2, the left side being a mirror image thereof;

FIG. 4 is a top plan view of the lamp and mounting plate illustrated in FIGS. 1-3;

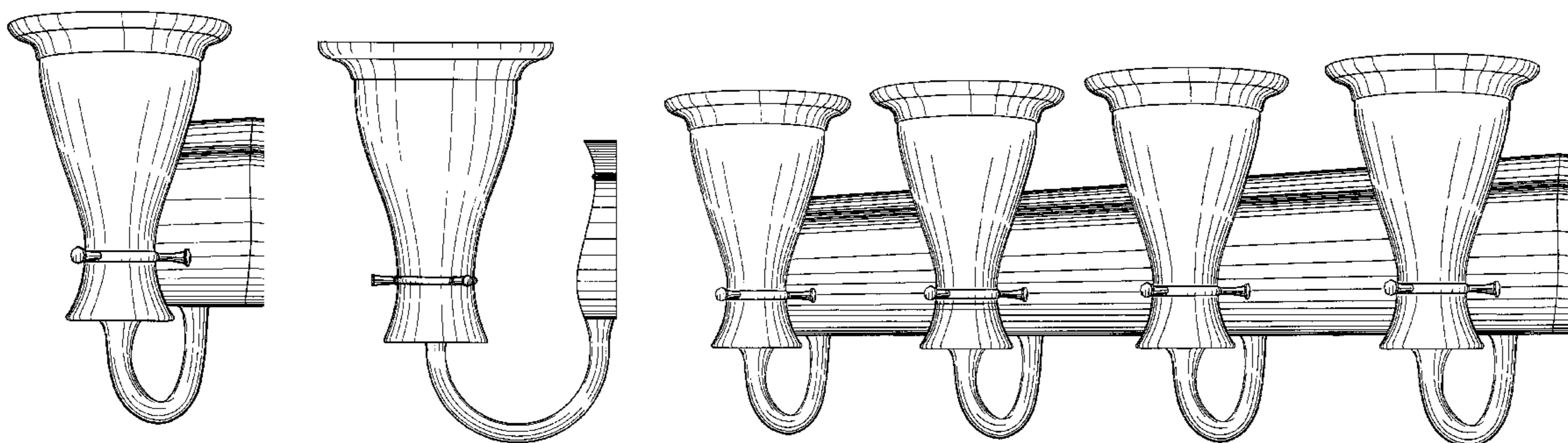
FIG. 5 is a bottom plan view of the lamp and mounting plate illustrated in FIGS. 1-4;

FIG. 6 is a perspective view of two lamps secured to a mounting plate according to a second embodiment of the present invention;

FIG. 7 is a perspective view of three lamps secured to a mounting plate according to a third embodiment of the present invention; and,

FIG. 8 is a perspective view of two lamps secured to a mounting plate according to a fourth embodiment of the present invention.

1 Claim, 6 Drawing Sheets



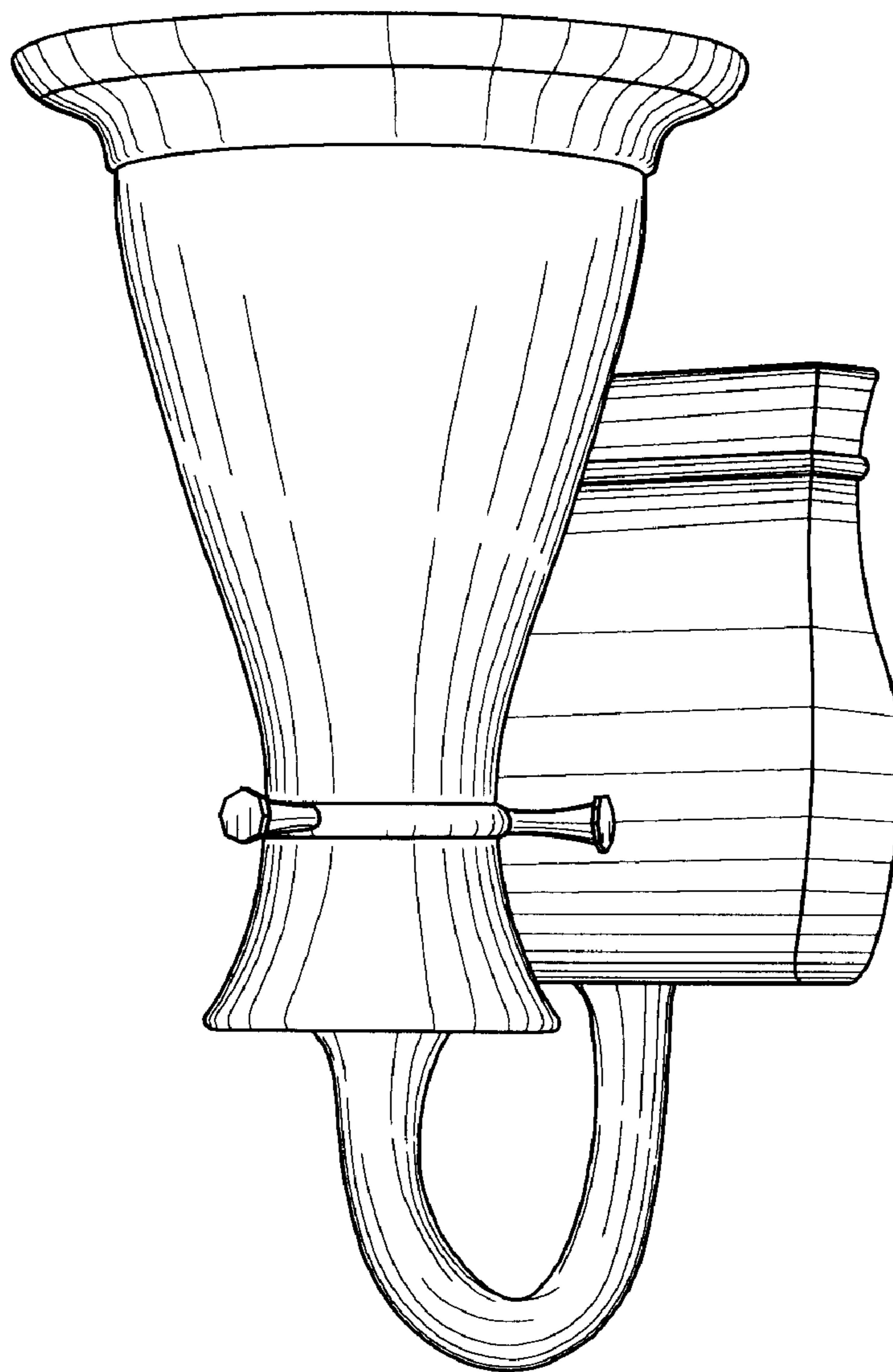


FIG. 1

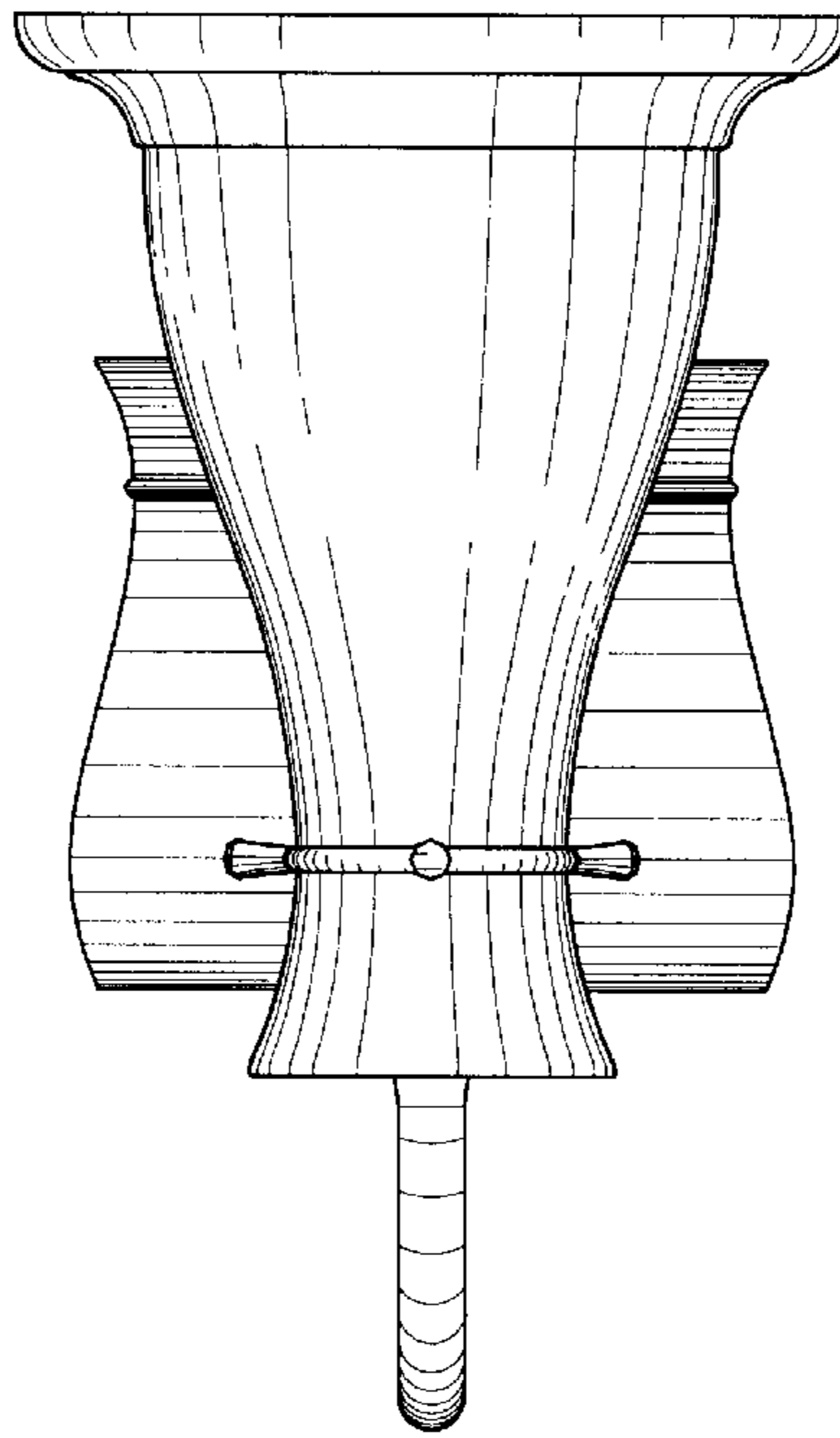


FIG. 2

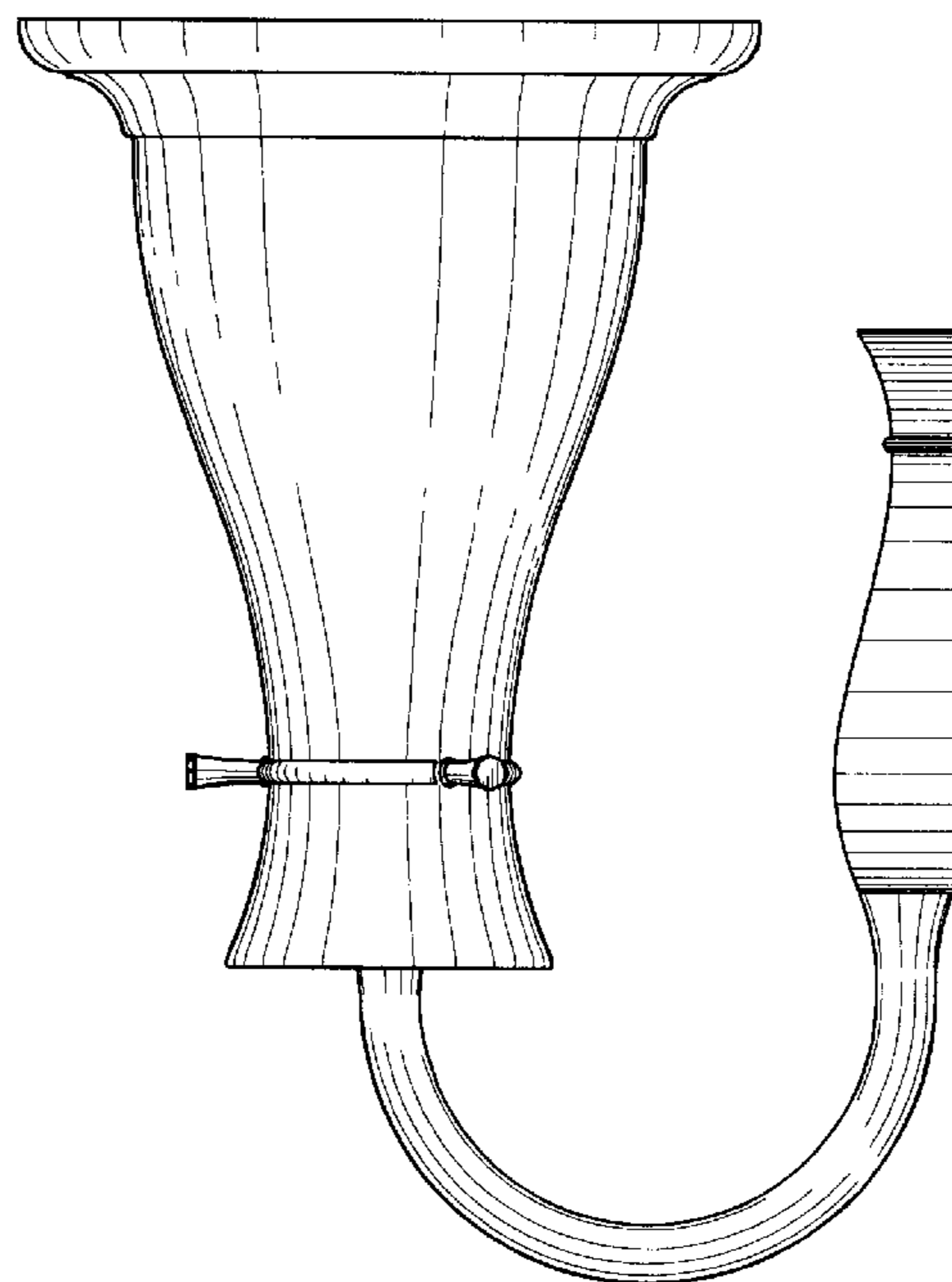


FIG. 3

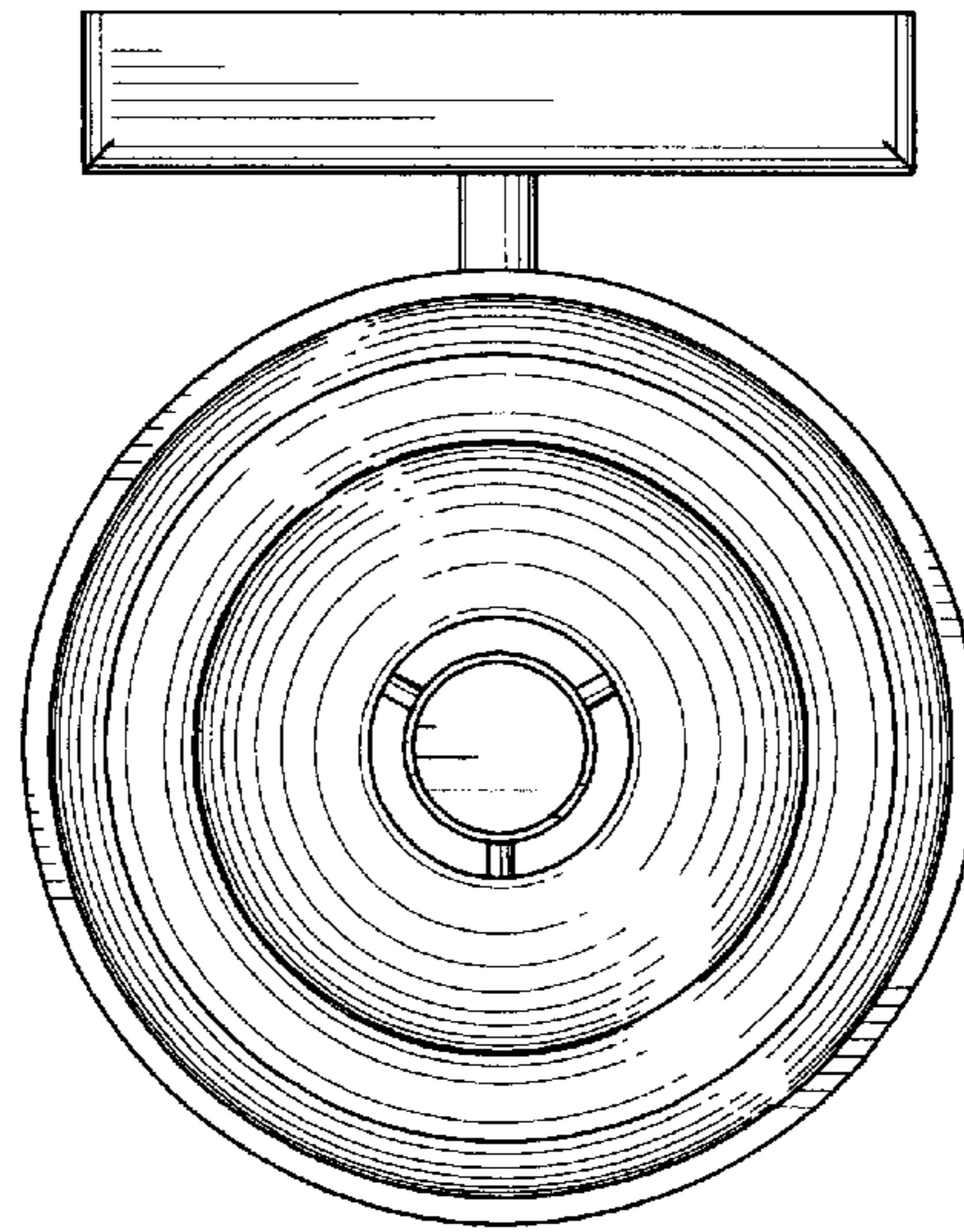


FIG. 4

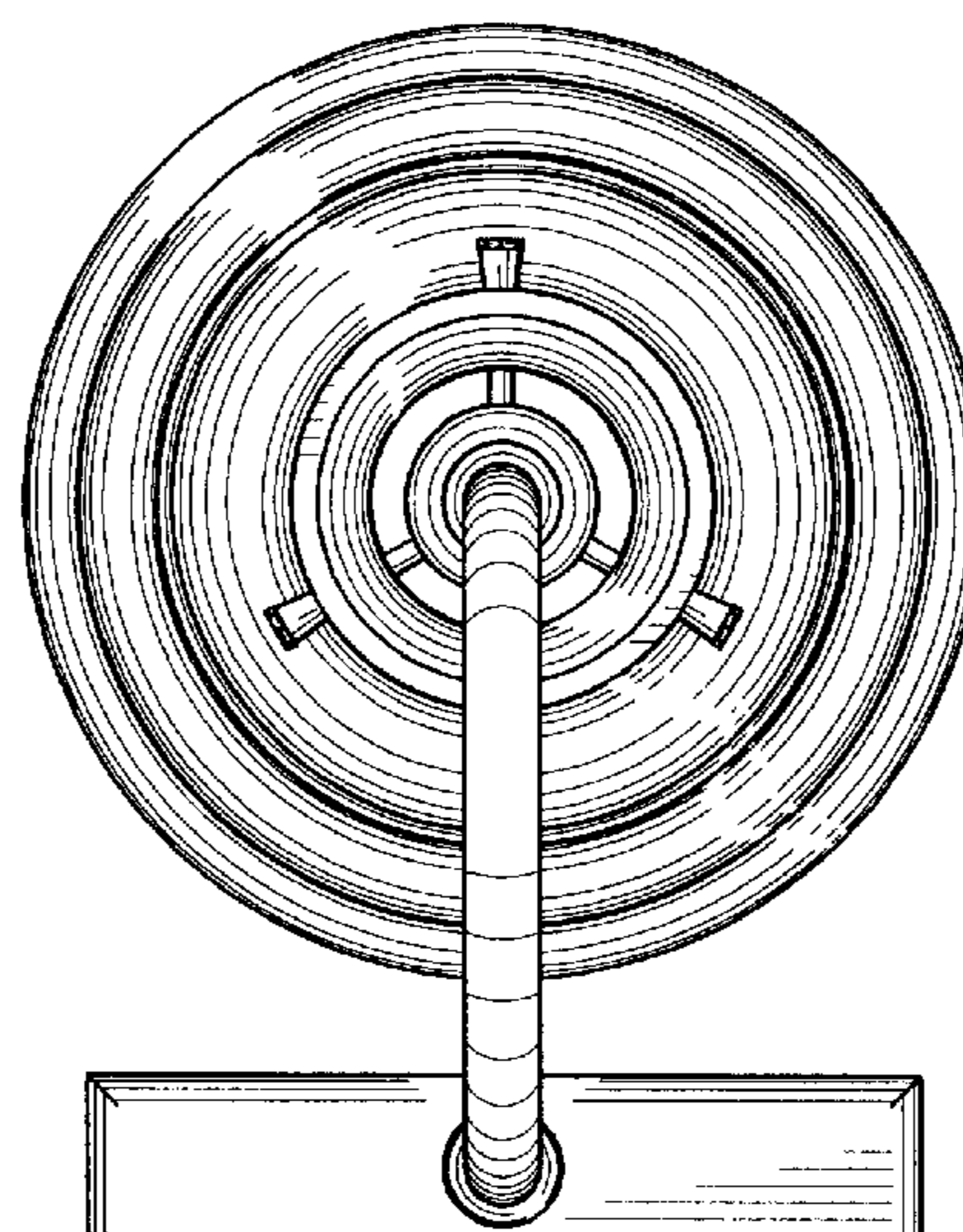


FIG. 5

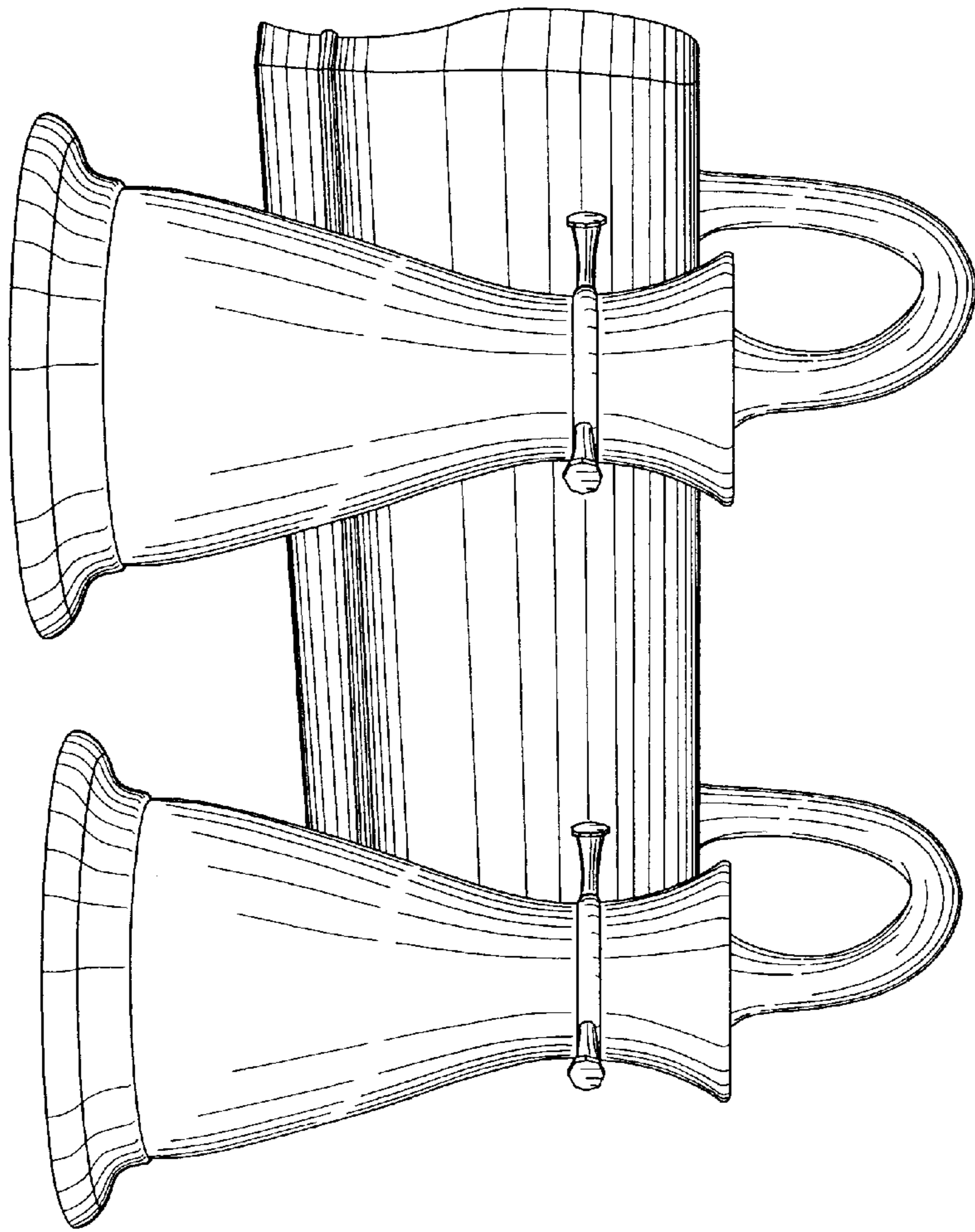


FIG. 6

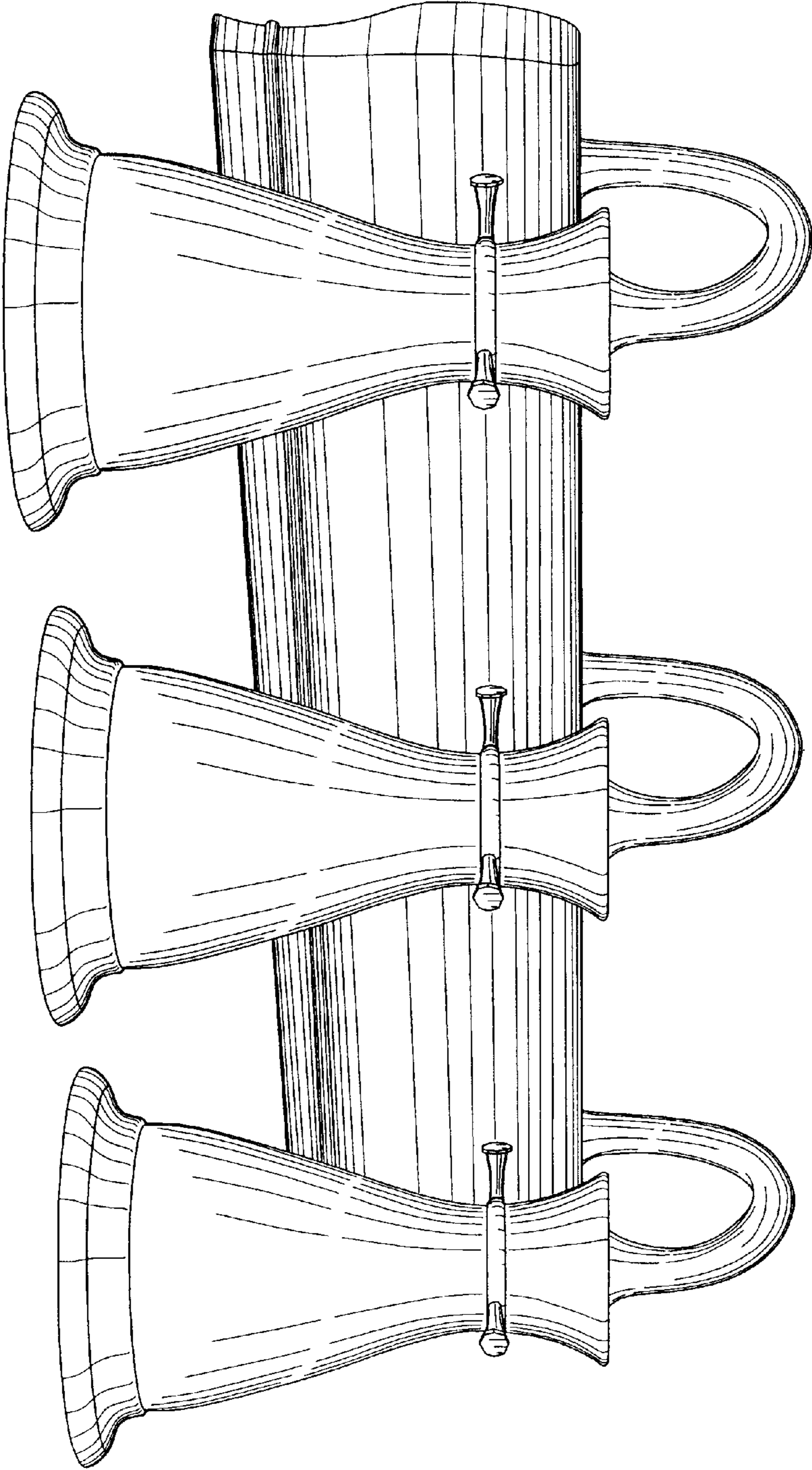


FIG. 7

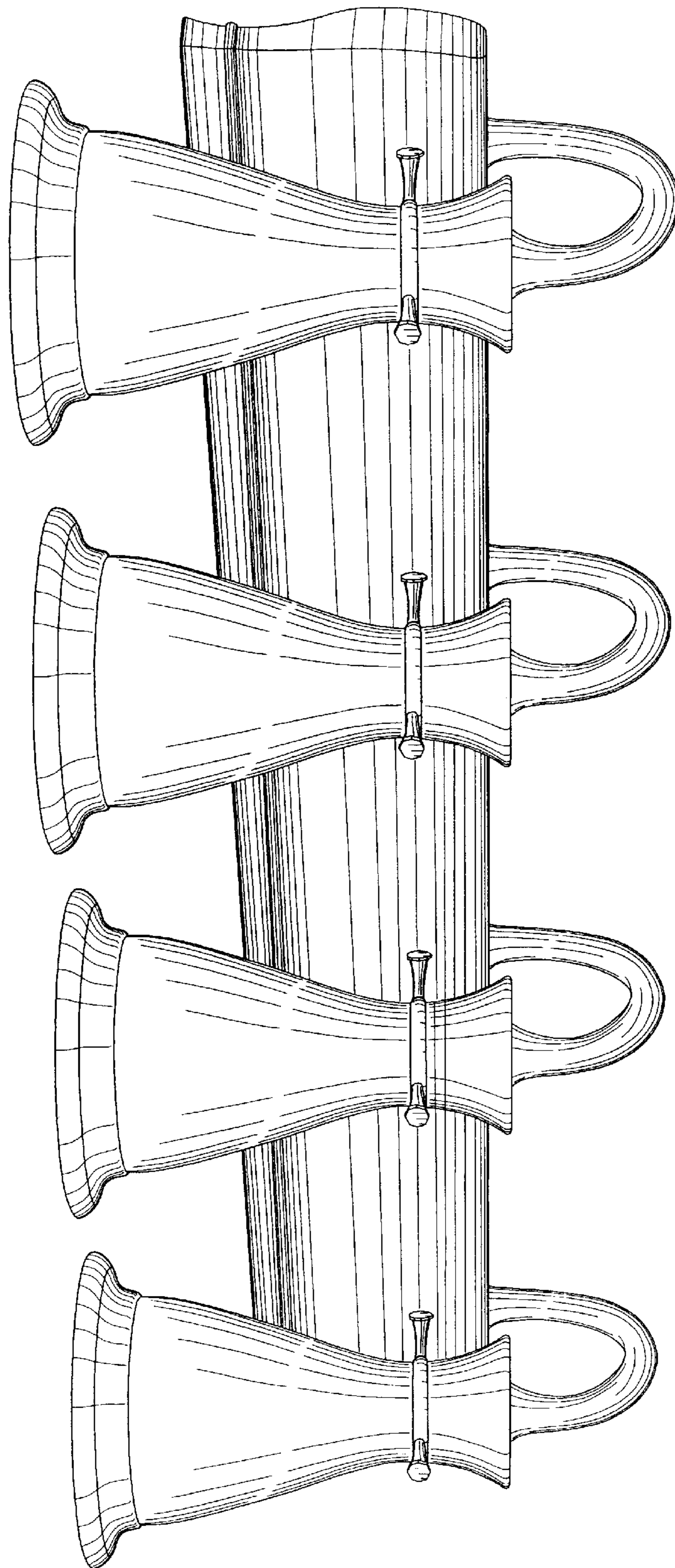


FIG. 8