

US00D539458S

(12) **United States Design Patent**
Cooper

(10) **Patent No.:** **US D539,458 S**

(45) **Date of Patent:** **** Mar. 27, 2007**

(54) **MUSIC STAND ILLUMINATOR**

(75) Inventor: **Ira Jeffrey Cooper**, Lexington, KY
(US)

(73) Assignee: **Q-Lighting, Inc.**, Lexington, KY (US)

(**) Term: **14 Years**

(21) Appl. No.: **29/202,451**

(22) Filed: **Mar. 31, 2004**

(51) **LOC (8) Cl.** **26-05**

(52) **U.S. Cl.** **D26/60; D26/65**

(58) **Field of Classification Search** D26/60-66;
362/269, 271, 274, 275, 277, 282, 283, 285,
362/287, 396, 401, 413, 418, 419, 427, 99,
362/127

See application file for complete search history.

(56) **References Cited**

U.S. PATENT DOCUMENTS

1,010,335	A	*	11/1911	Williams	362/270
4,089,046	A		5/1978	Cannon		
D338,976	S		8/1993	Miley, Jr.		
D366,711	S		1/1996	Clasby		

5,695,271	A	*	12/1997	Zeller	362/98
D405,203	S		2/1999	Tobianski		
D427,703	S	*	7/2000	Chan	D26/60
D428,177	S	*	7/2000	Chan	D26/60
D435,677	S	*	12/2000	Hollinger	D26/60
D449,126	S	*	10/2001	Zeller	D26/60
D482,812	S		11/2003	Cooper		

* cited by examiner

Primary Examiner—Clare E Heflin

(74) *Attorney, Agent, or Firm*—King & Schickli, PLLC

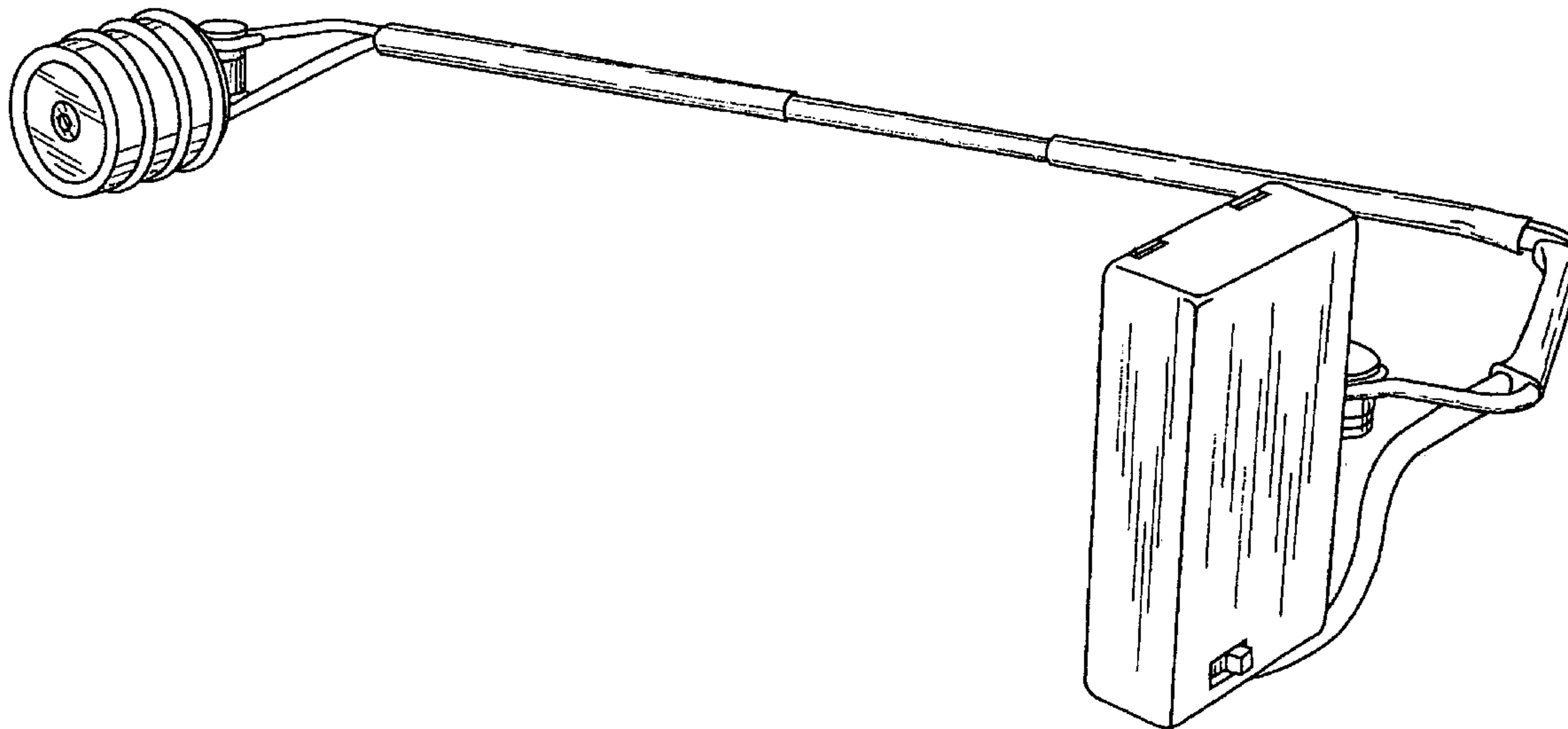
(57) **CLAIM**

The ornamental design for a music stand illuminator, as shown and described.

DESCRIPTION

FIG. 1 is a perspective view of the music stand illuminator of the present invention;
FIG. 2 is a front view thereof;
FIG. 3 is a bottom view thereof;
FIG. 4 is a back view thereof;
FIG. 5 is a top view thereof;
FIG. 6 is a left side view thereof; and,
FIG. 7 is a right side view thereof.

1 Claim, 4 Drawing Sheets



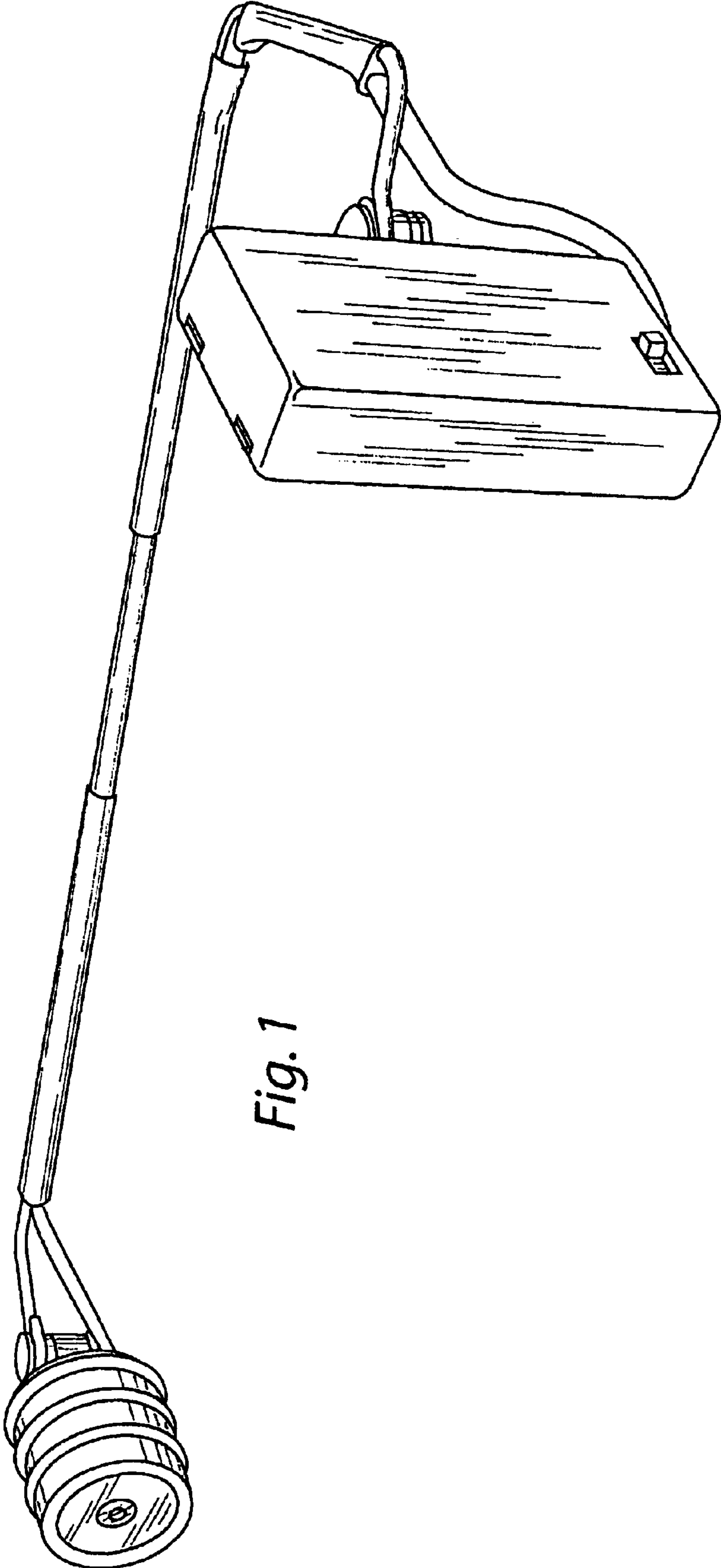


Fig. 1

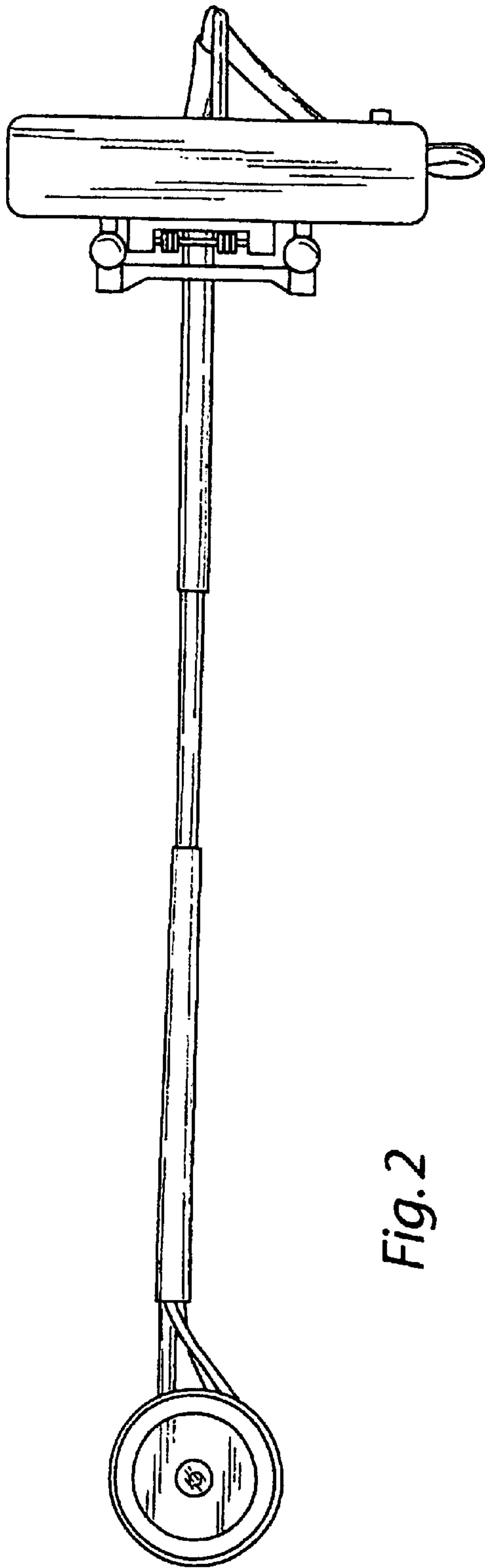


Fig. 2

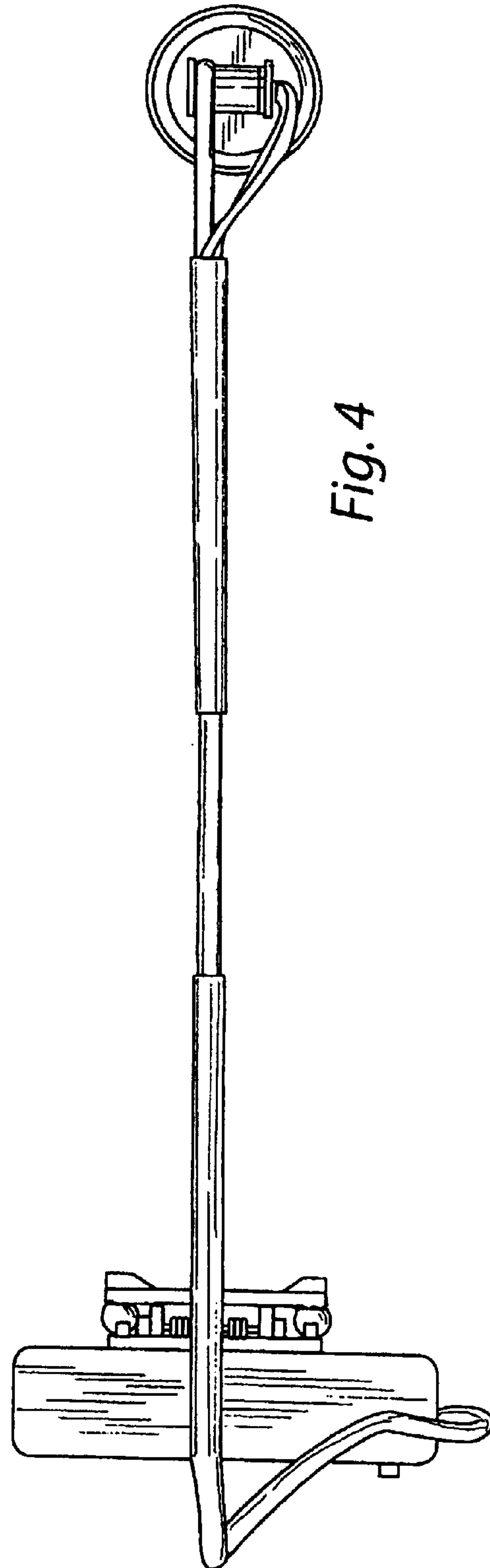


Fig. 4

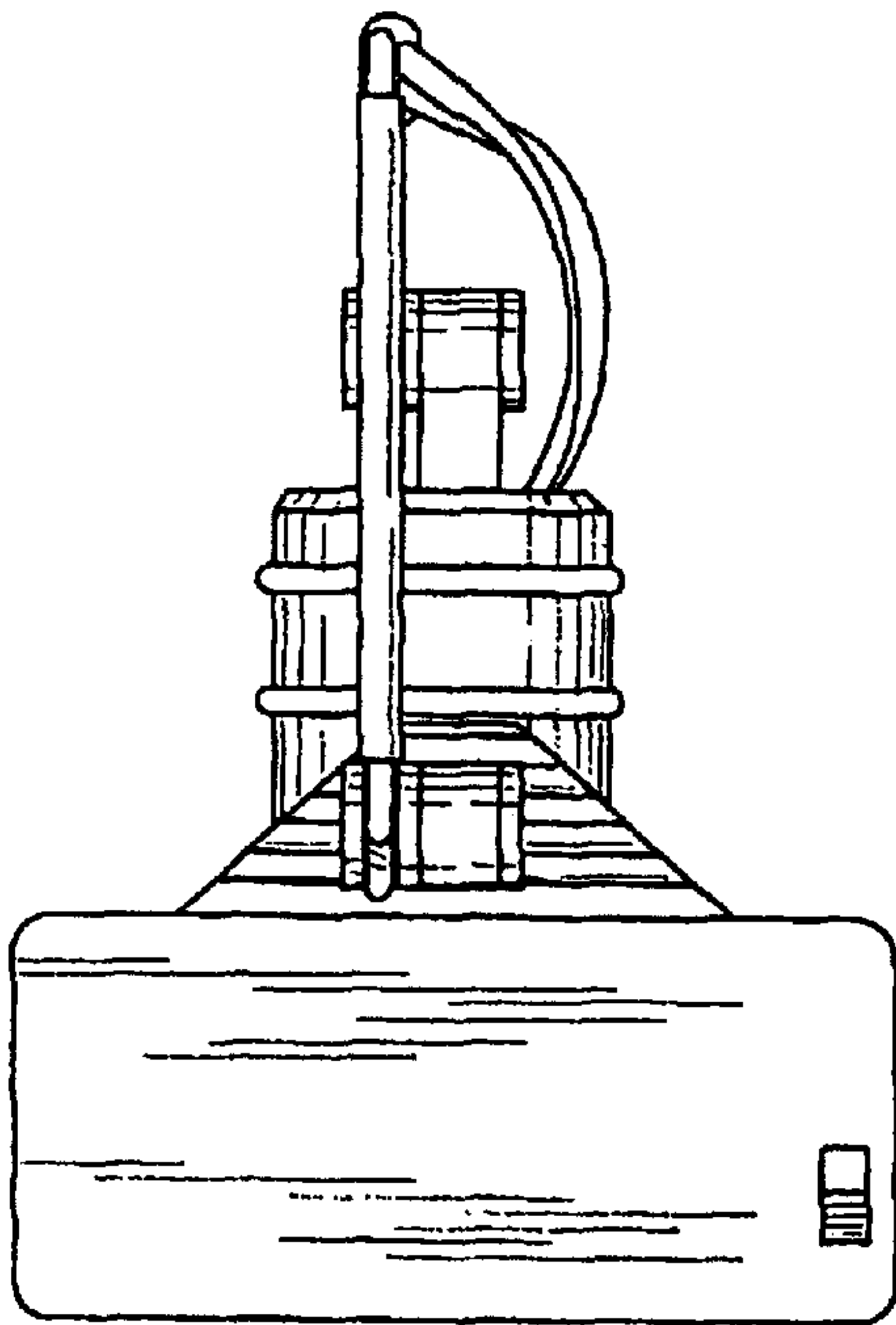


Fig. 3

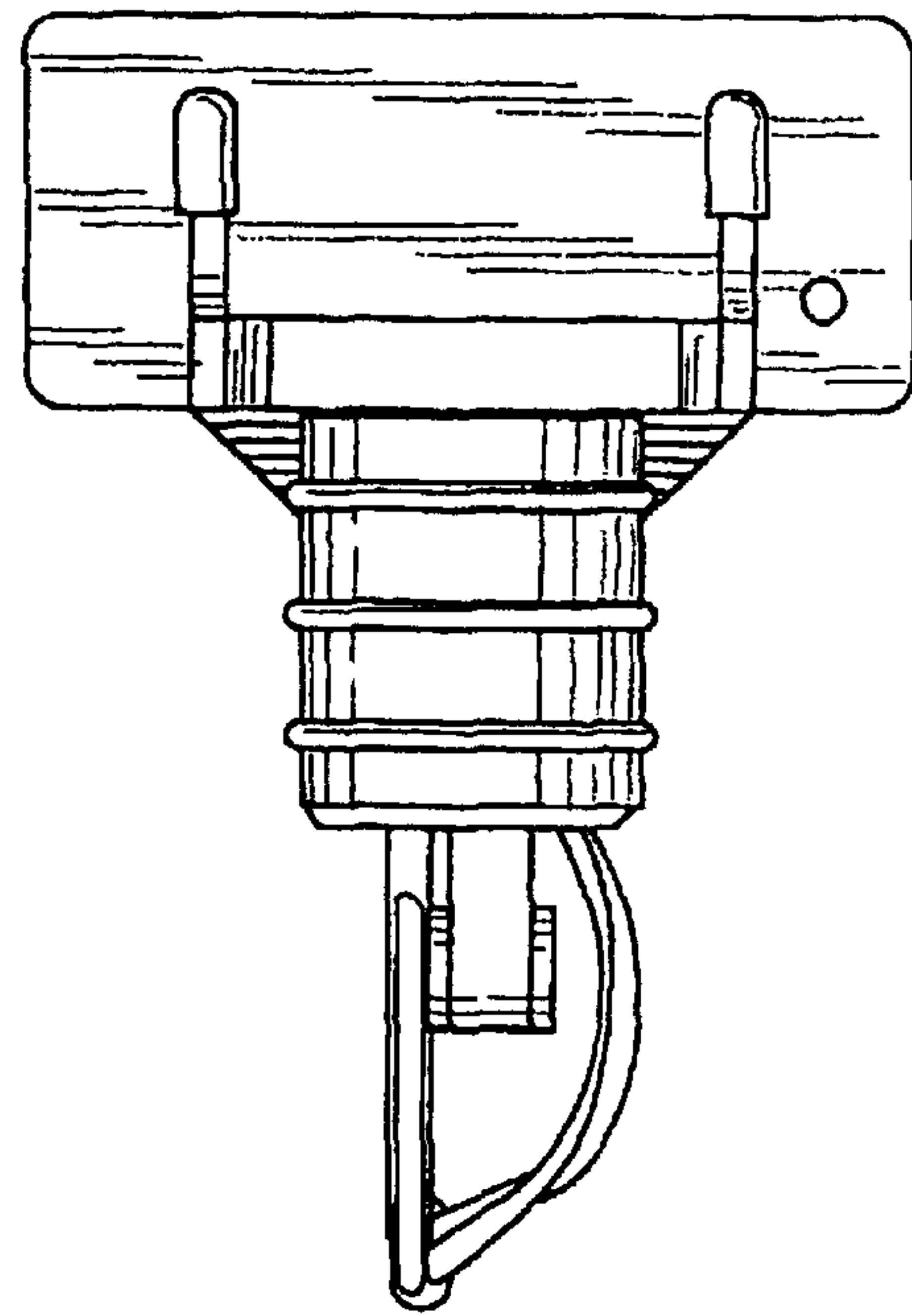


Fig. 5

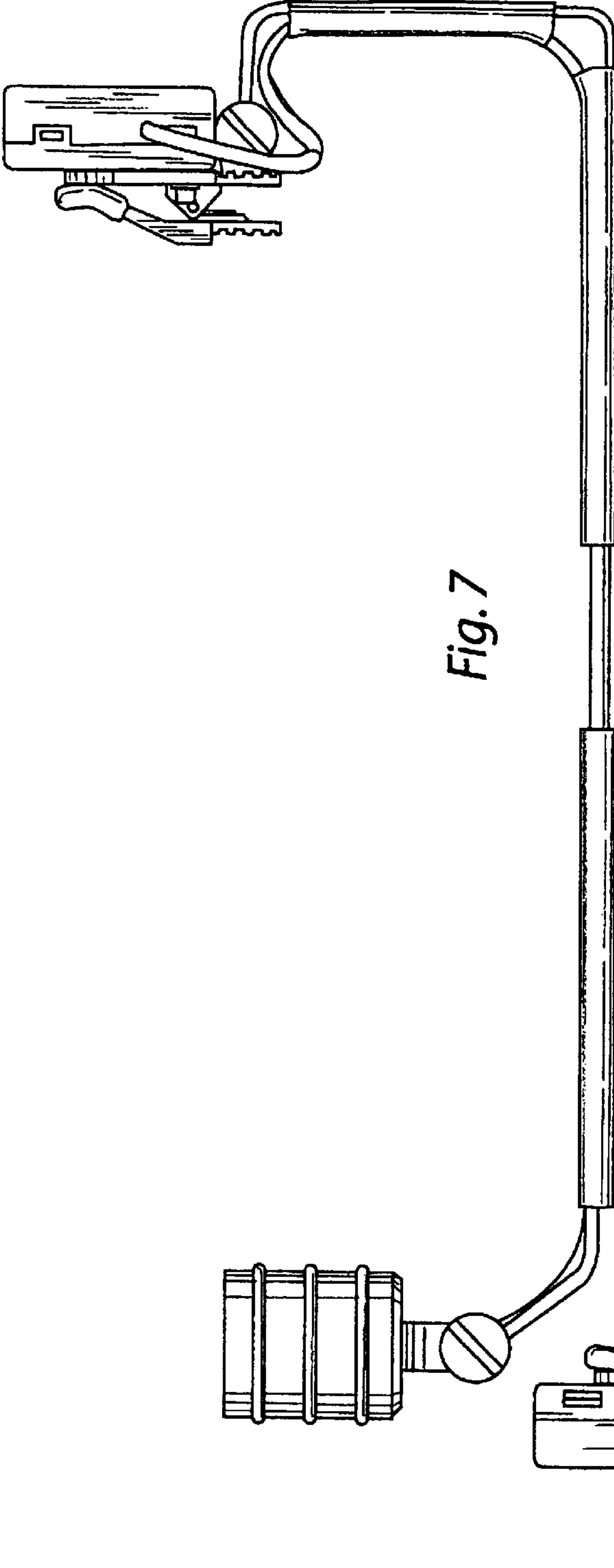


Fig. 7

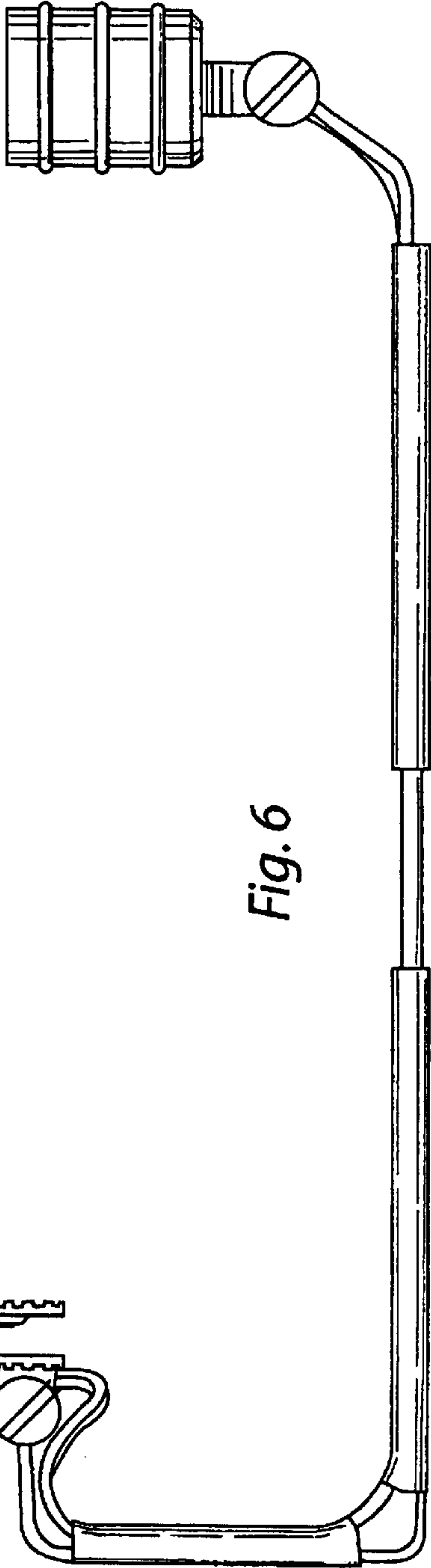


Fig. 6