



US00D539456S

(12) **United States Design Patent**
Sassoon et al.

(10) **Patent No.:** **US D539,456 S**
(45) **Date of Patent:** **** Mar. 27, 2007**

(54) **COMBINED FLASHLIGHT WITH HOLDER**

D501,054 S * 1/2005 Galli D26/37

(75) Inventors: **Raymond E. Sassoon**, Hauppauge, NY (US); **Arn B. Roatcap**, Sunnyvale, CA (US)

* cited by examiner

Primary Examiner—Ian Simmons

Assistant Examiner—Carissa Fitts

(73) Assignee: **Panor Corp.**, Hauppauge, NY (US)

(74) *Attorney, Agent, or Firm*—Stroock & Stroock & Lavan LLP

(**) Term: **14 Years**

(57) **CLAIM**

(21) Appl. No.: **29/243,118**

The ornamental design for a combined flashlight with holder, as shown and described.

(22) Filed: **Nov. 18, 2005**

DESCRIPTION

(51) **LOC (8) Cl.** **26-02**

(52) **U.S. Cl.** **D26/37**

(58) **Field of Classification Search** D26/24,
D26/29, 37-50; 362/157, 158, 171-174,
362/183-208

See application file for complete search history.

FIG. 1 is a perspective view of a combined flashlight with holder in accordance with the invention;
FIG. 2 is a top plan view thereof;
FIG. 3 is a front elevational view thereof;
FIG. 4 is a left side elevational view thereof;
FIG. 5 is a right side elevational view thereof;
FIG. 6 is a rear elevational view thereof; and,
FIG. 7 is a bottom plan view thereof.

The broken line showing is included for the purpose of illustrating only and forms no part of the claimed design.

(56) **References Cited**

U.S. PATENT DOCUMENTS

- D427,347 S * 6/2000 Sharrah et al. D26/49
- D475,798 S * 6/2003 Galli D26/37
- D496,115 S * 9/2004 Lin D26/49

1 Claim, 4 Drawing Sheets

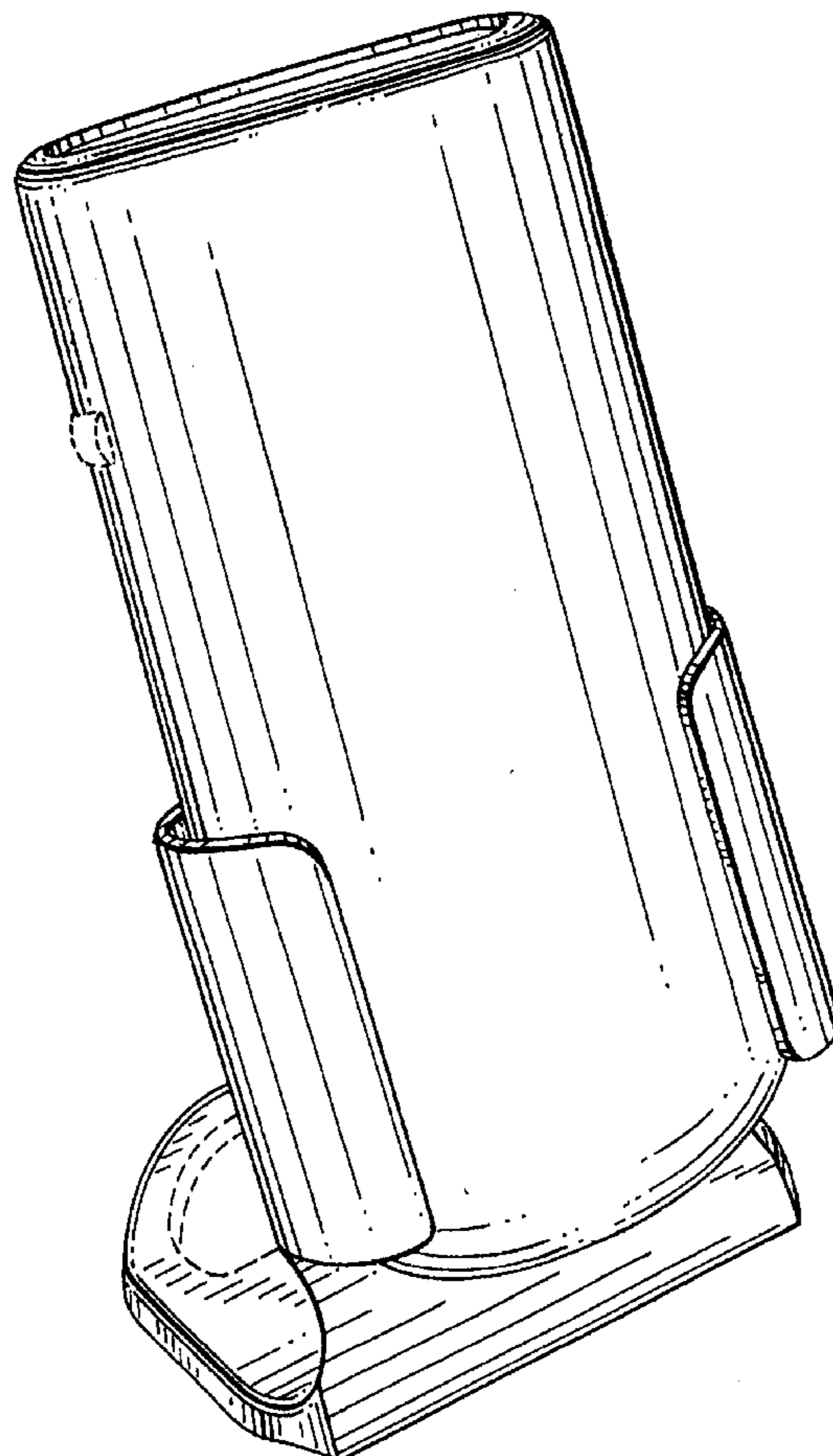
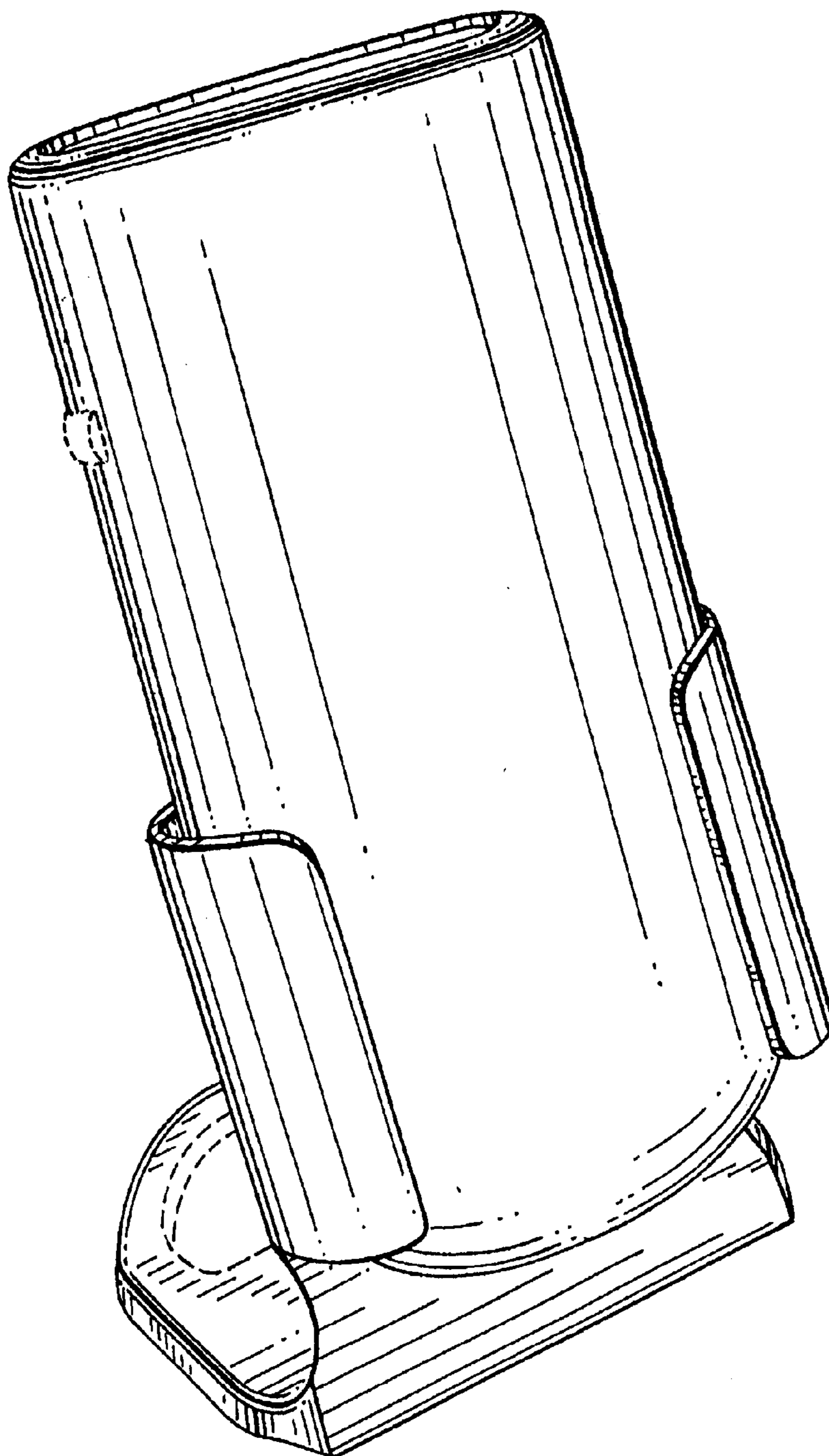


FIG. 1



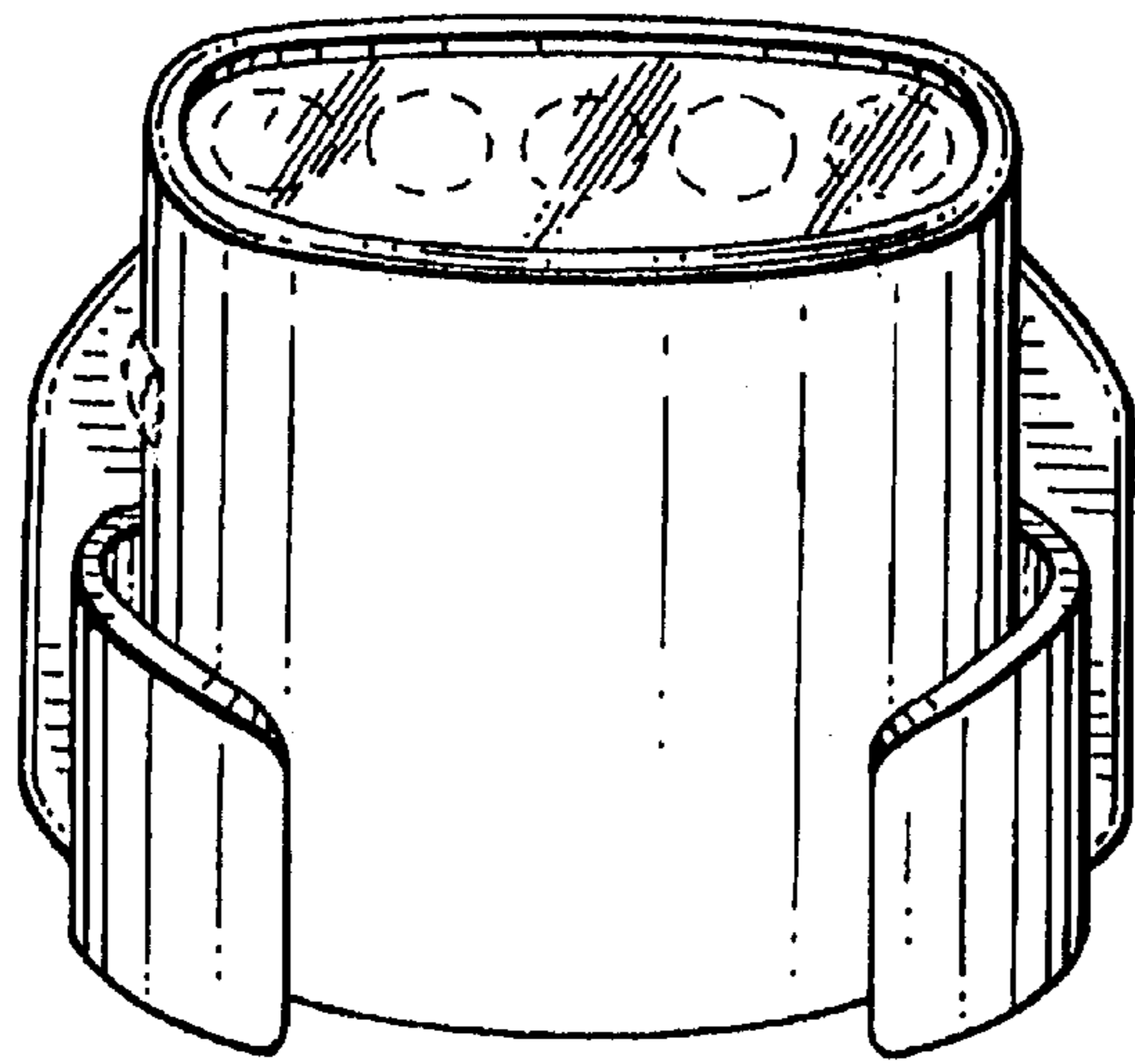


FIG. 2

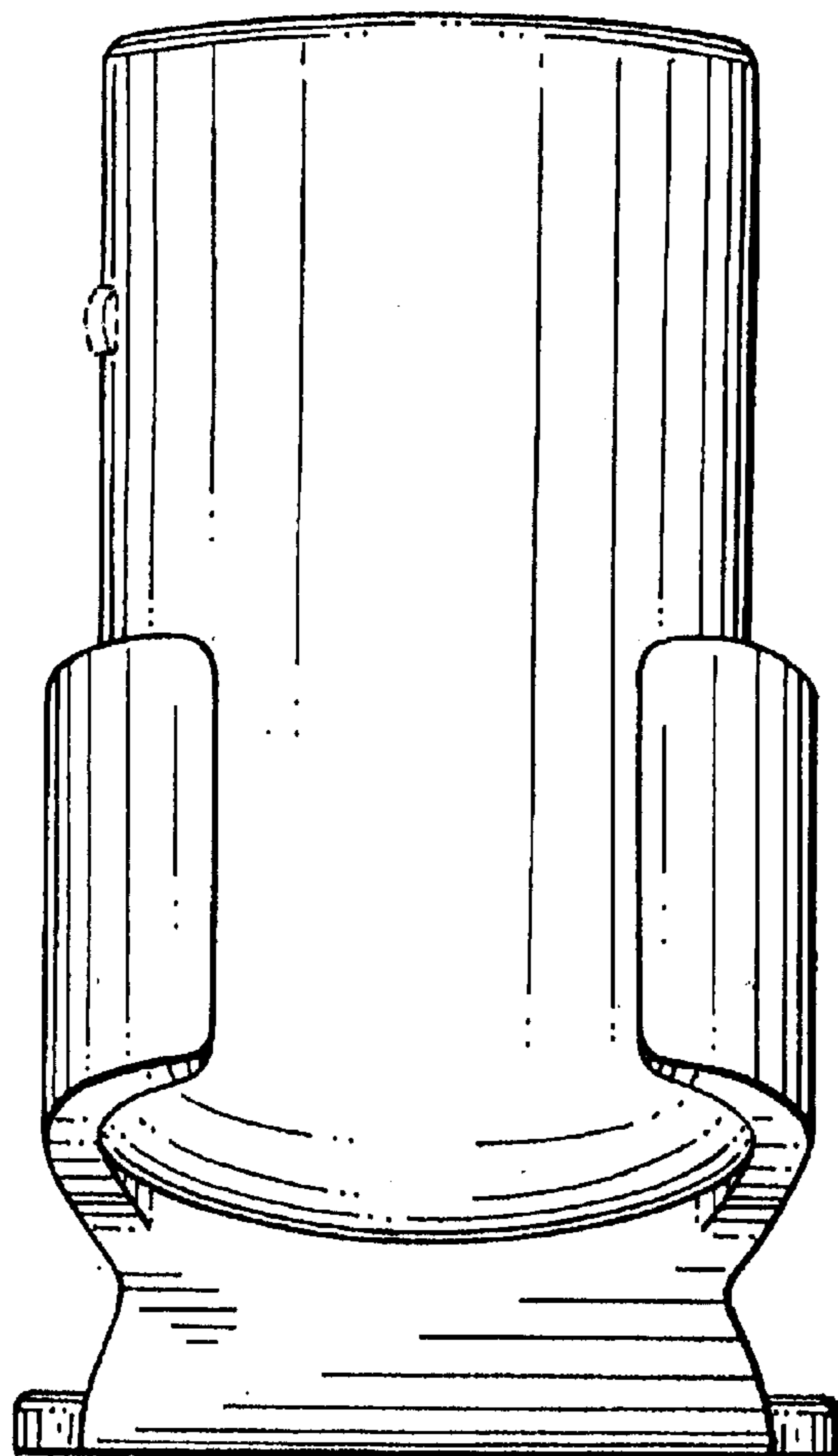


FIG. 3

FIG.4

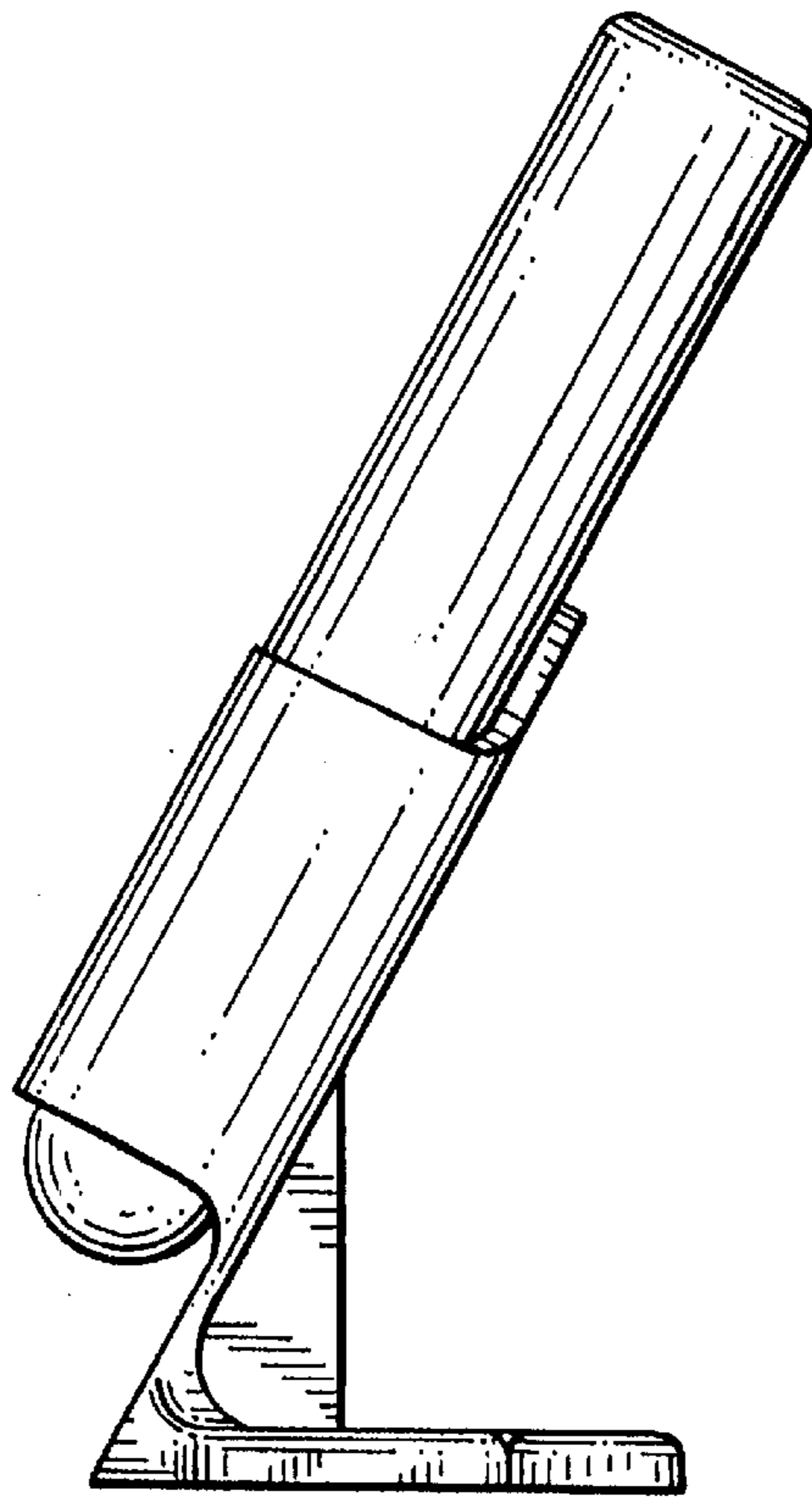
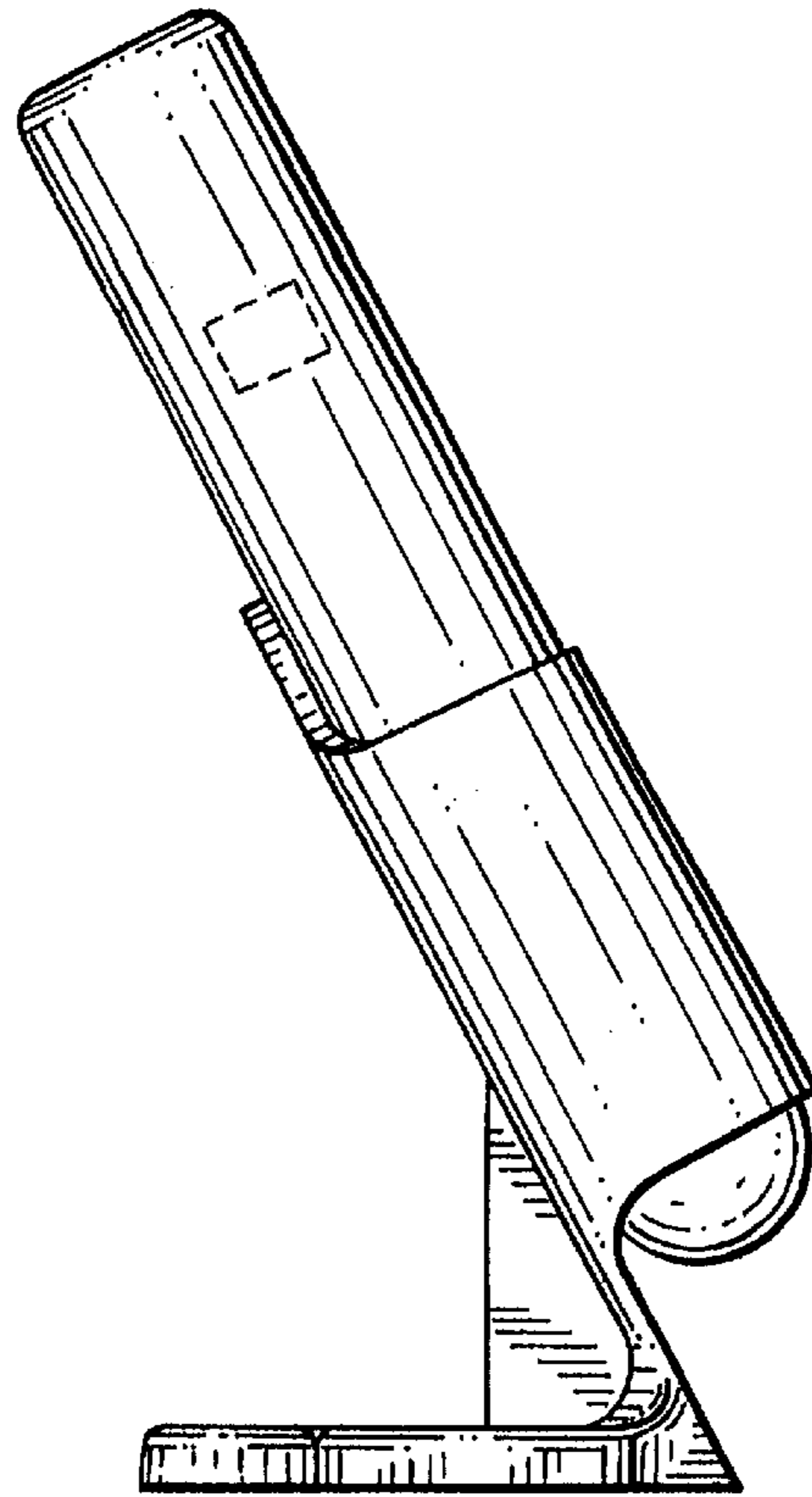


FIG.5

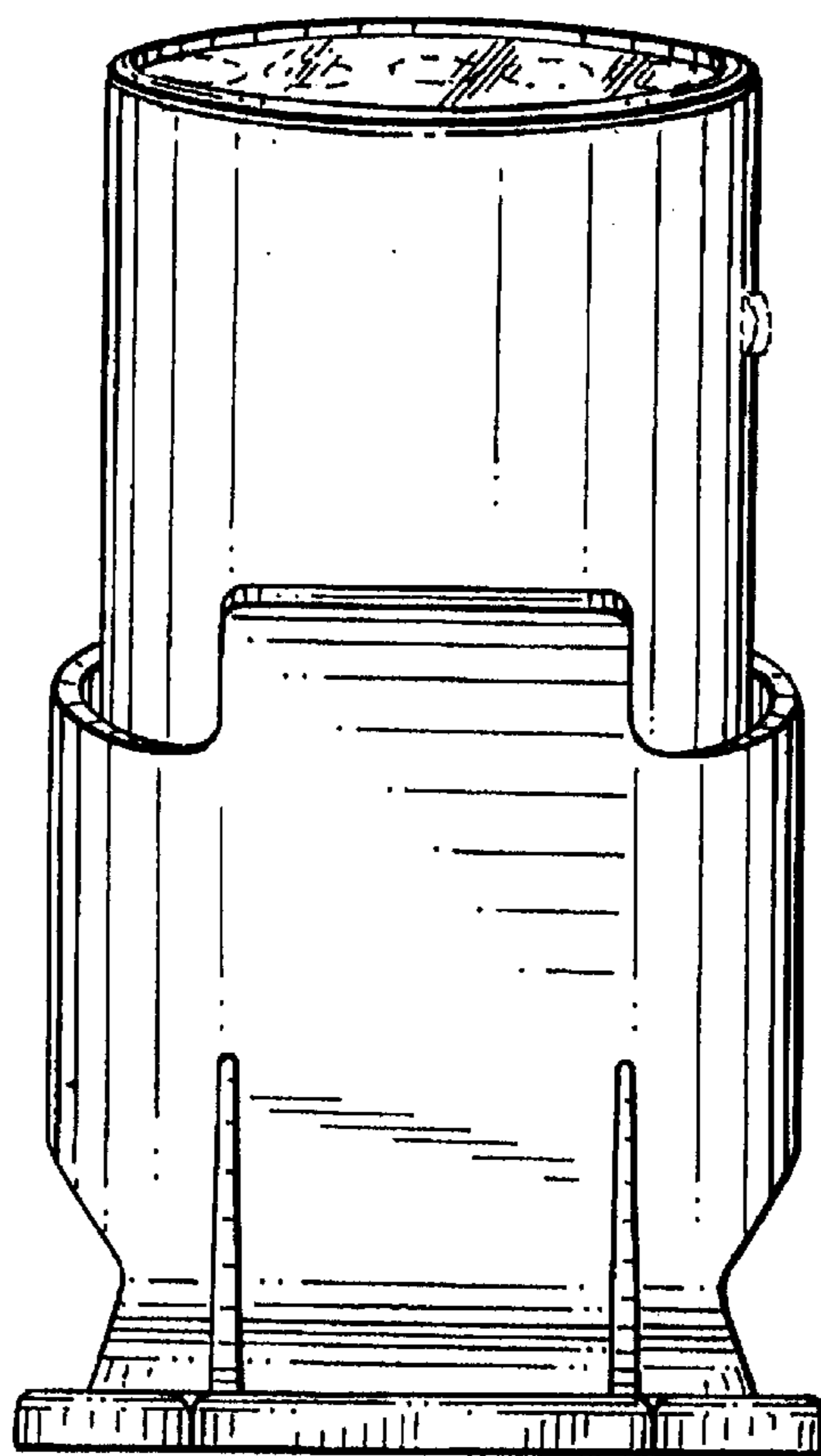


FIG. 6

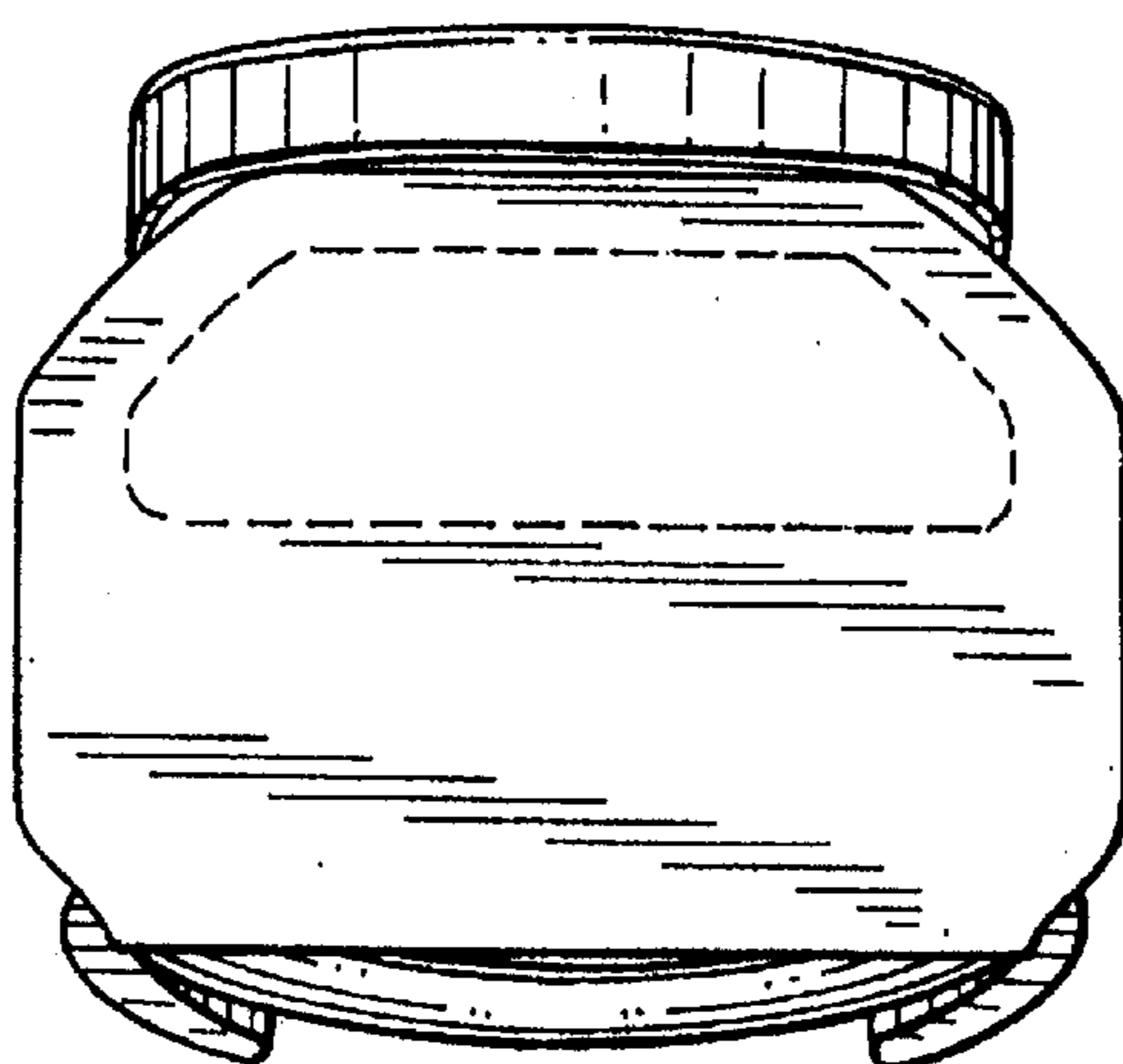


FIG. 7