



US00D539450S

(12) **United States Design Patent** (10) **Patent No.:** **US D539,450 S**
Pfeiffer (45) **Date of Patent:** **** Mar. 27, 2007**

(54) **SURFACE CONFIGURATION OF A
TAILLIGHT FOR A VEHICLE**

(75) Inventor: **Peter Pfeiffer**, Boeblingen (DE)

(73) Assignee: **DaimlerChrysler AG**, Stuttgart (DE)

(**) Term: **14 Years**

(21) Appl. No.: **29/233,874**

(22) Filed: **Jul. 12, 2005**

(51) **LOC (8) Cl.** **26-06**

(52) **U.S. Cl.** **D26/28**

(58) **Field of Classification Search** D26/28-36;
362/459-468, 475-478, 485-487

See application file for complete search history.

(56) **References Cited**

U.S. PATENT DOCUMENTS

D465,039 S	*	10/2002	Murkett	D26/28
D467,364 S	*	12/2002	Yang	D26/28
D485,920 S	*	1/2004	Yoneyama	D26/28
D494,294 S	*	8/2004	Pfeiffer	D26/28
D523,976 S	*	6/2006	Pfeiffer et al.	D26/28

OTHER PUBLICATIONS

- Auto Bild, prior to Jul. 12, 2005.
- Auto Bild, Nr. 1, Jan. 7, 2005.
- Auto Bild, Nr. 11, Mar. 18, 2005.
- Auto Bild, Nr. 18, Apr. 30, 2004.
- Auto motor und sport, Jul. 2003.
- Auto motor und sport, "Auf Grosser Fahrt," Booklet 21, Sep. 29, 2004, pp. 1-6.
- Auto Strasseverkehr, "Daimiers Neuer Chic," Dec. 3, 2004, pp. 1-4.
- Auto Zeitung, "C-Klasse von morgen," p. 11.
- Auto Zeitung, p. 14.
- Auto Zeitung, p. 14, prior to Jul. 12, 2005.

Weyer, Peter, "Neuer Schwung," stern, Feb. 10, 2005, pp. 1-2. Auto Bild.

* cited by examiner

Primary Examiner—Marcus A. Jackson

(74) *Attorney, Agent, or Firm*—Crowell & Moring LLP

(57) **CLAIM**

The ornamental design for a surface configuration of a taillight for a vehicle, as shown and described.

DESCRIPTION

This application is related to the following co-pending application, of the inventor, filed on even date herewith: application Ser. No. 29/233,903, entitled "Surface Configuration of a Vehicle, Toy, and/or Other Replicas".

FIG. 1 is a perspective view of a first embodiment of a surface configuration of a taillight for a vehicle according to my novel design;

FIG. 2 is a front view of the first embodiment of the surface configuration of a taillight for a vehicle according to my novel design;

FIG. 3 is a side view of the first embodiment of the surface configuration of a taillight for a vehicle according to my novel design;

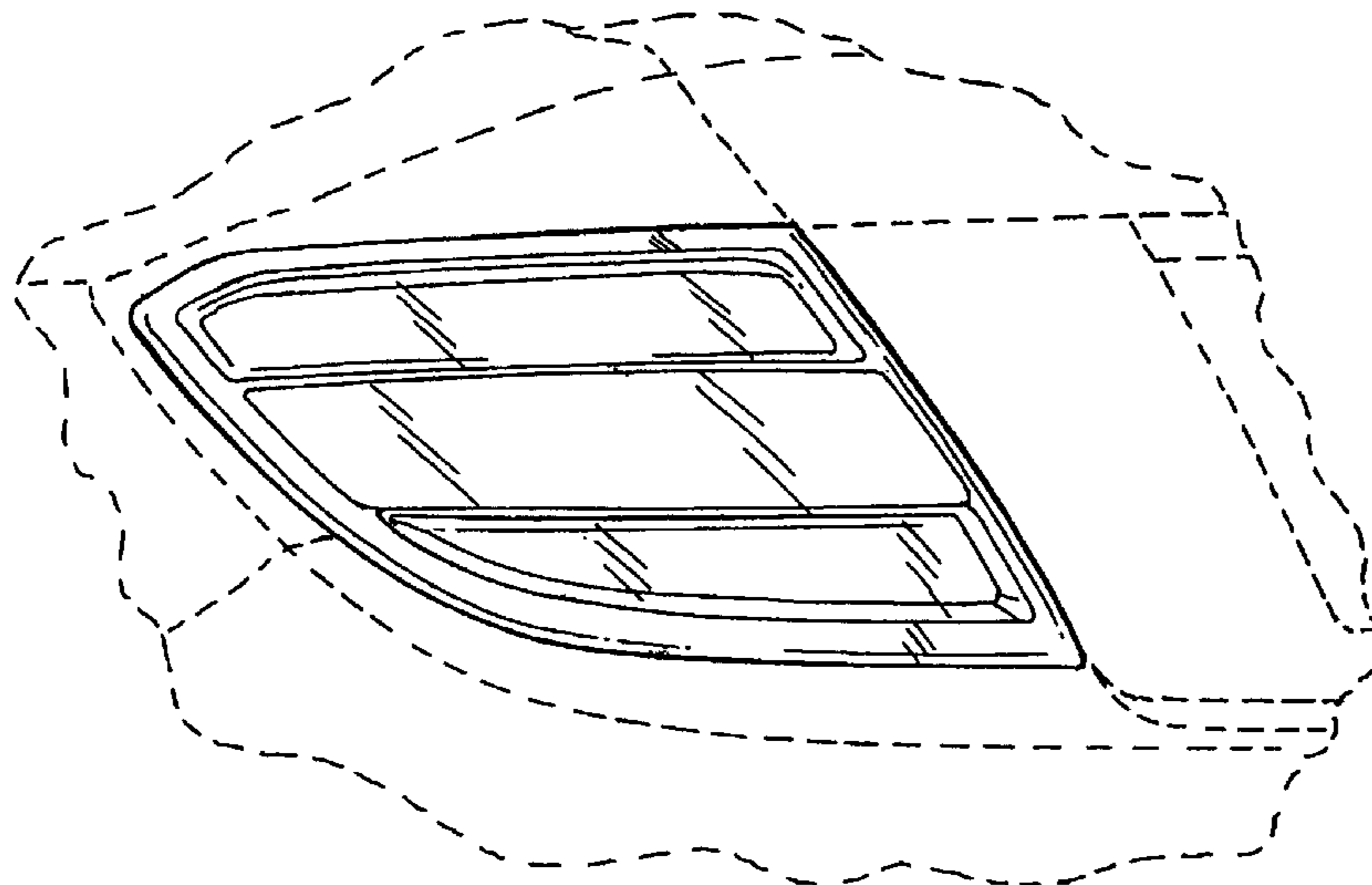
FIG. 4 is a perspective view of a second embodiment of the surface configuration of a taillight for a vehicle according to my novel design;

FIG. 5 is a front view of the second embodiment of the surface configuration of a taillight for a vehicle according to my novel design; and,

FIG. 6 is a side view of the second embodiment of the surface configuration of a taillight for a vehicle according to my novel design.

The broken lines are for illustrative purposes only and form no part of the claimed design.

1 Claim, 4 Drawing Sheets



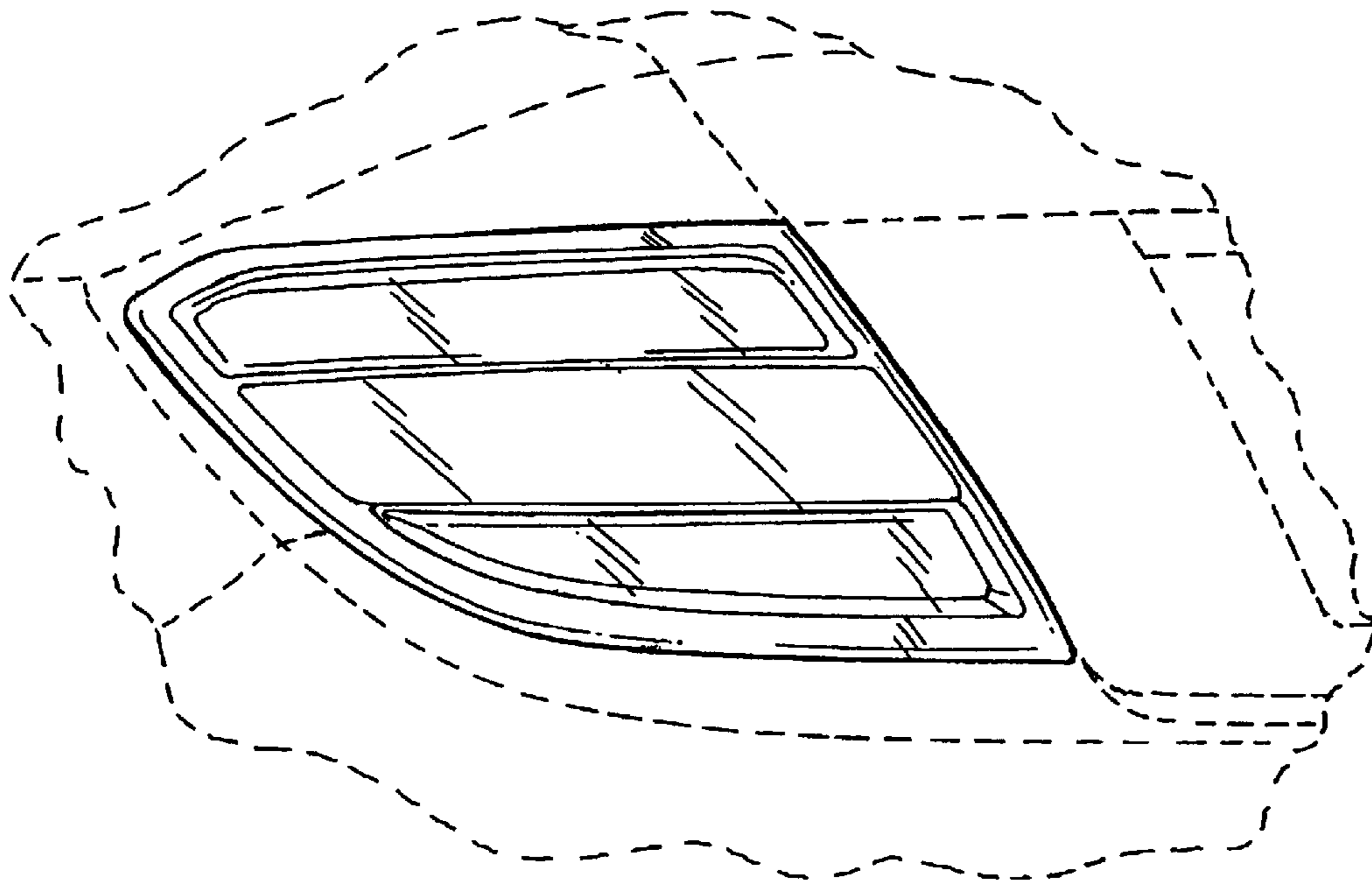


FIG. 1

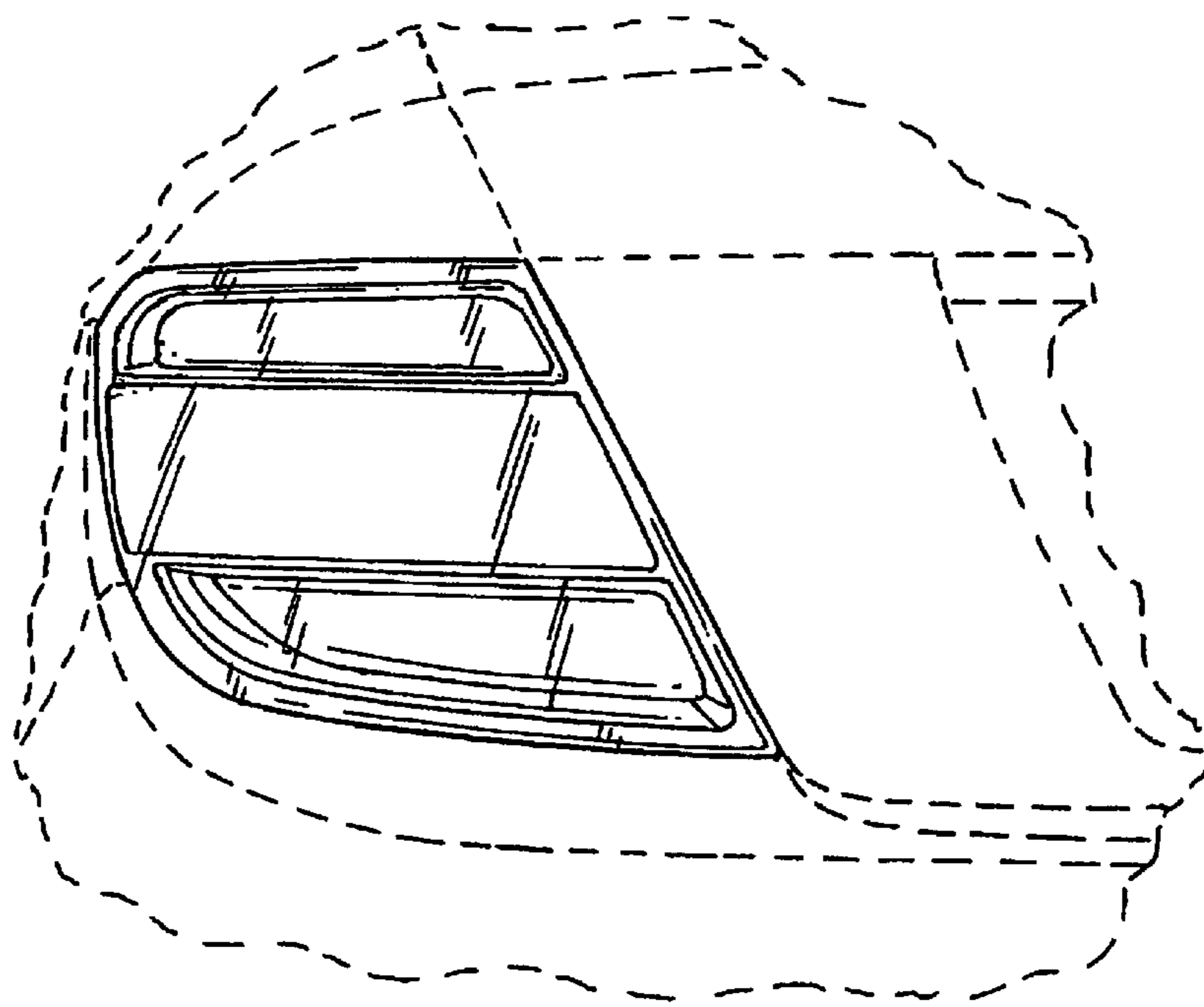


FIG. 2

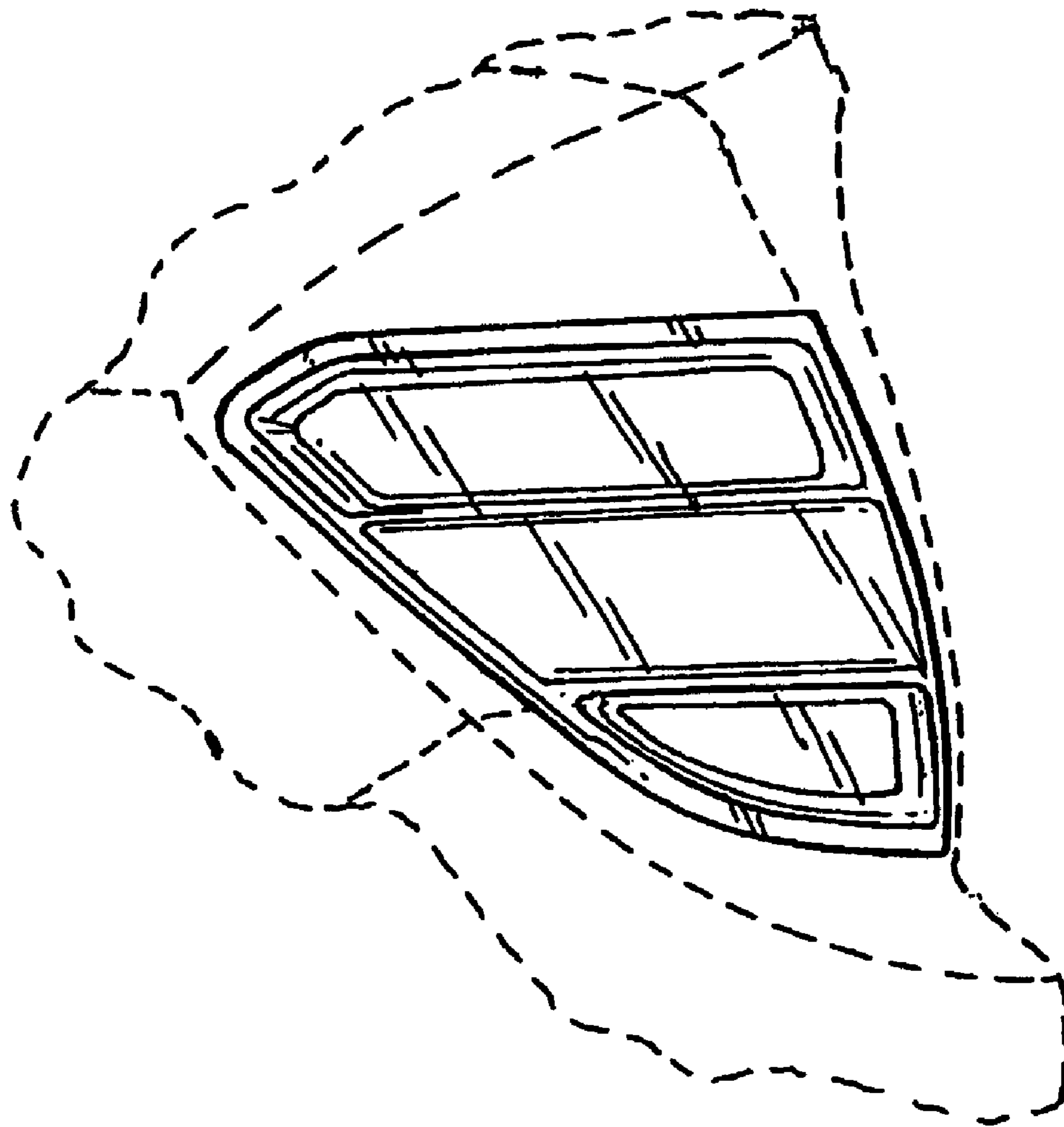


FIG. 3

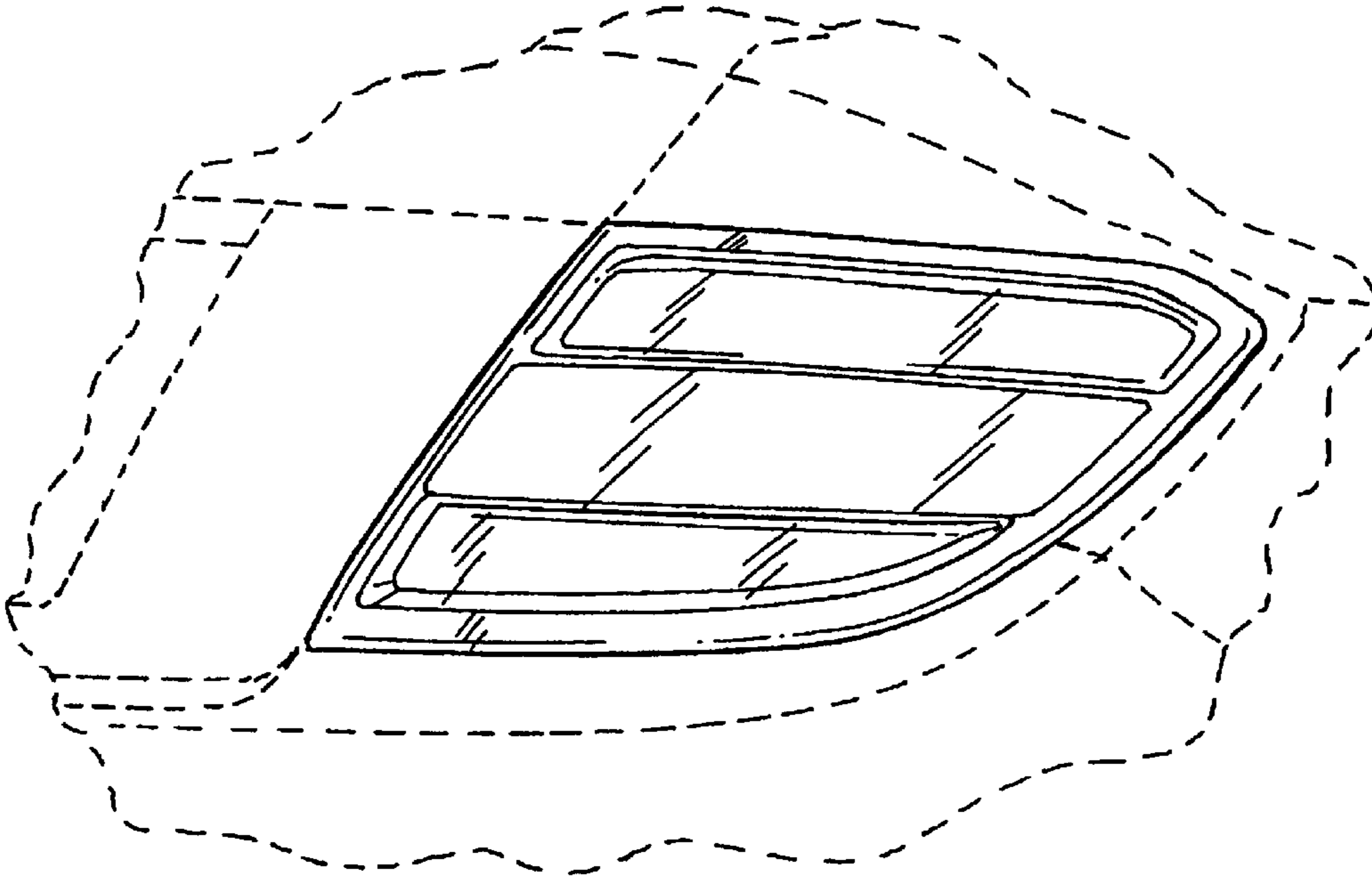


FIG. 4

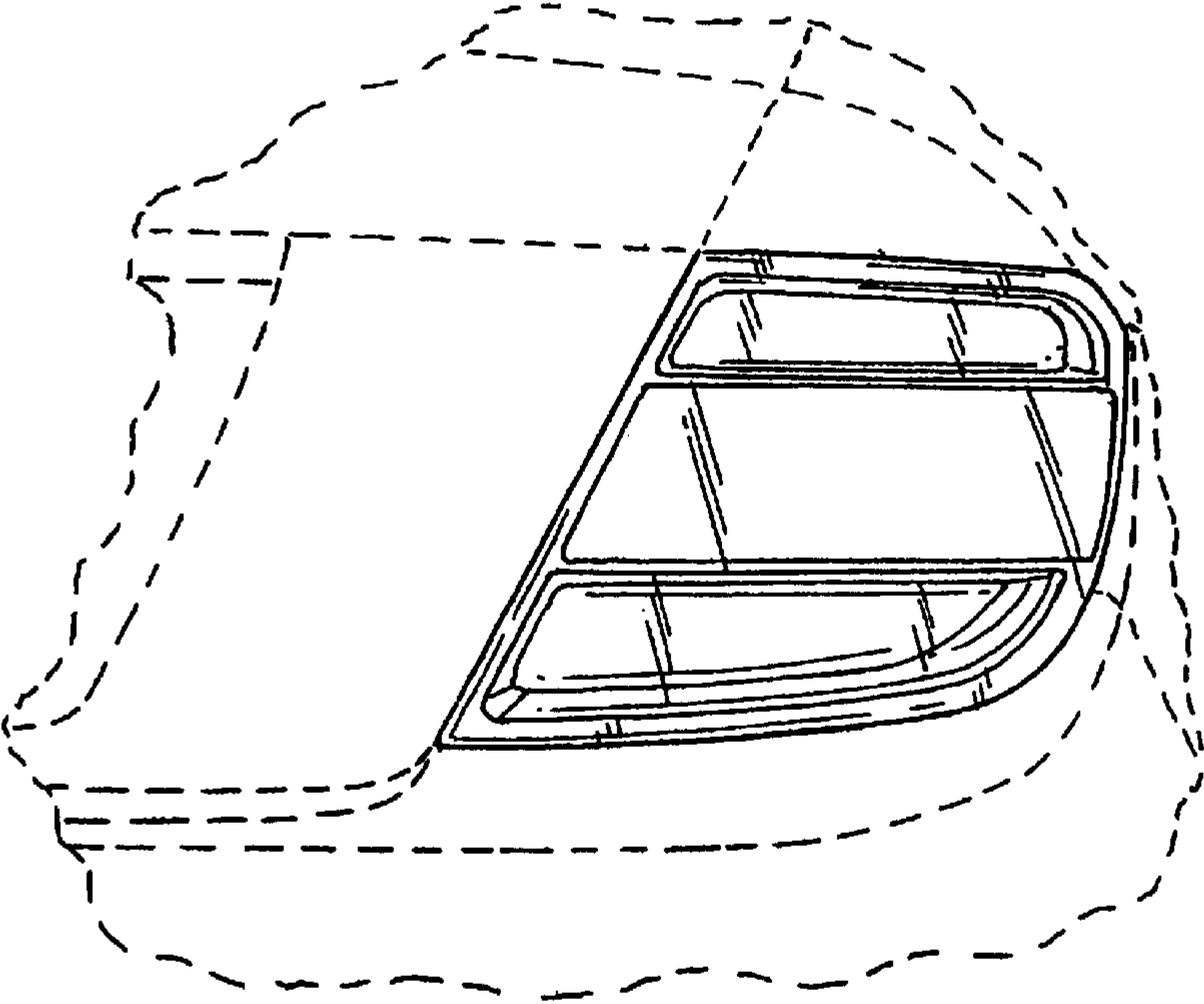


FIG. 5

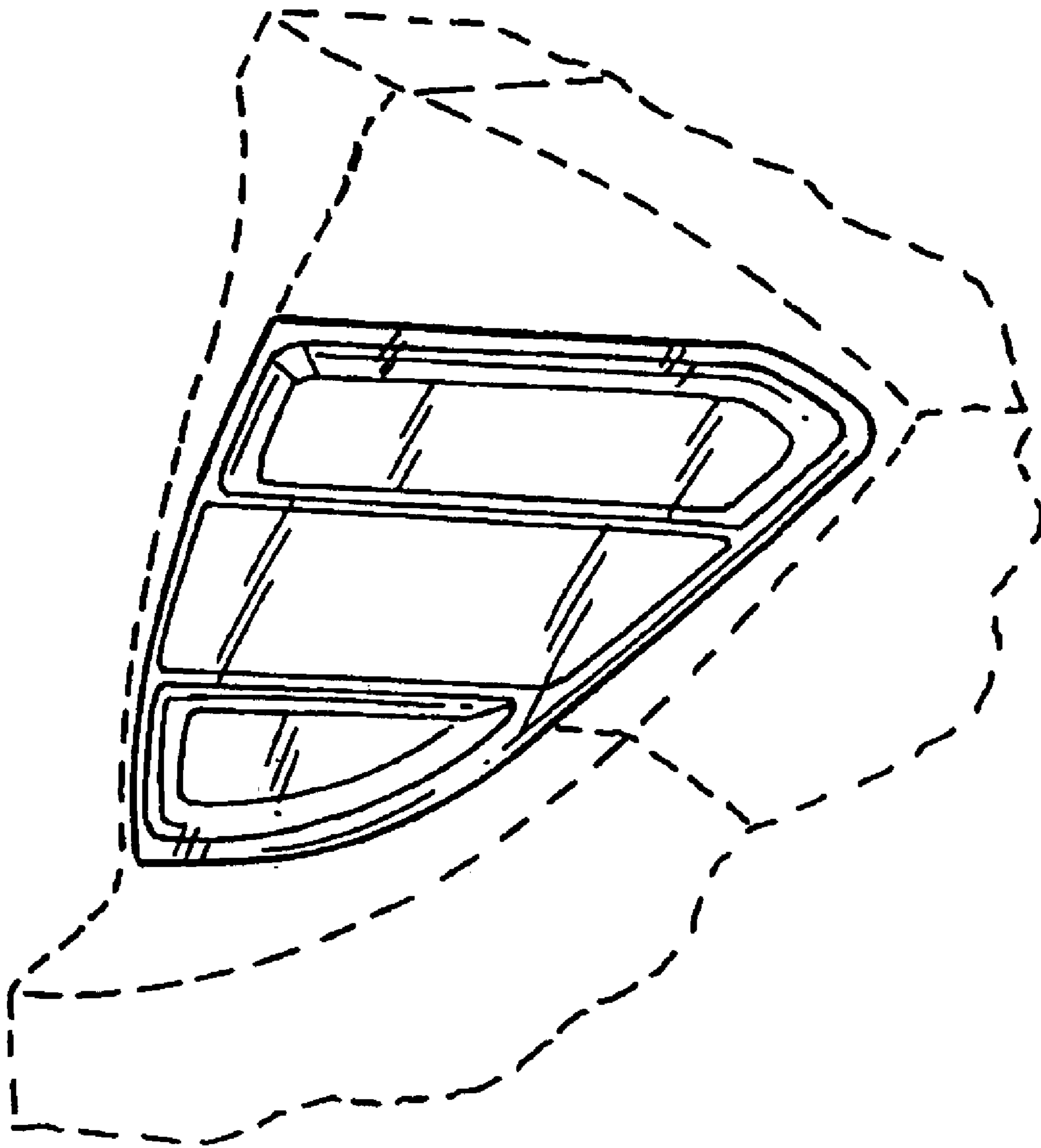


FIG. 6