



US00D539447S

(12) **United States Design Patent**
Leung

(10) **Patent No.:** **US D539,447 S**

(45) **Date of Patent:** **** Mar. 27, 2007**

(54) **BASE FOR FLUORESCENT LAMP**

D521,451 S * 5/2006 Wiskerke D13/134
D529,636 S * 10/2006 Kakuno et al. D26/3

(75) Inventor: **James C. P. Leung**, Hong Kong (HK)

* cited by examiner

(73) Assignee: **Masterwise International Limited**,
Hong Kong (HK)

Primary Examiner—Marcus A. Jackson

(74) *Attorney, Agent, or Firm*—Alix, Yale & Ristas, LLP

(**) Term: **14 Years**

(57) **CLAIM**

(21) Appl. No.: **29/257,904**

The ornamental design for a base for fluorescent lamp, as shown and described.

(22) Filed: **Apr. 12, 2006**

DESCRIPTION

(51) **LOC (8) Cl.** **26-04**

(52) **U.S. Cl.** **D26/3**

(58) **Field of Classification Search** D26/1-4;
313/313, 315, 317, 318, 493; 315/52, 53,
315/56, 57, 58

FIG. 1 is a front perspective elevational view of a base for fluorescent lamp showing my new design;

FIG. 2 is a front elevational view thereof, the rear elevational view being a mirror image;

FIG. 3 is a side elevational view thereof, the opposite elevational view being a mirror image;

FIG. 4 is a top plan view thereof; and,

FIG. 5 is a bottom plan view thereof.

See application file for complete search history.

The broken lines in the figures are for illustrative purposes only and form no part of the claimed design.

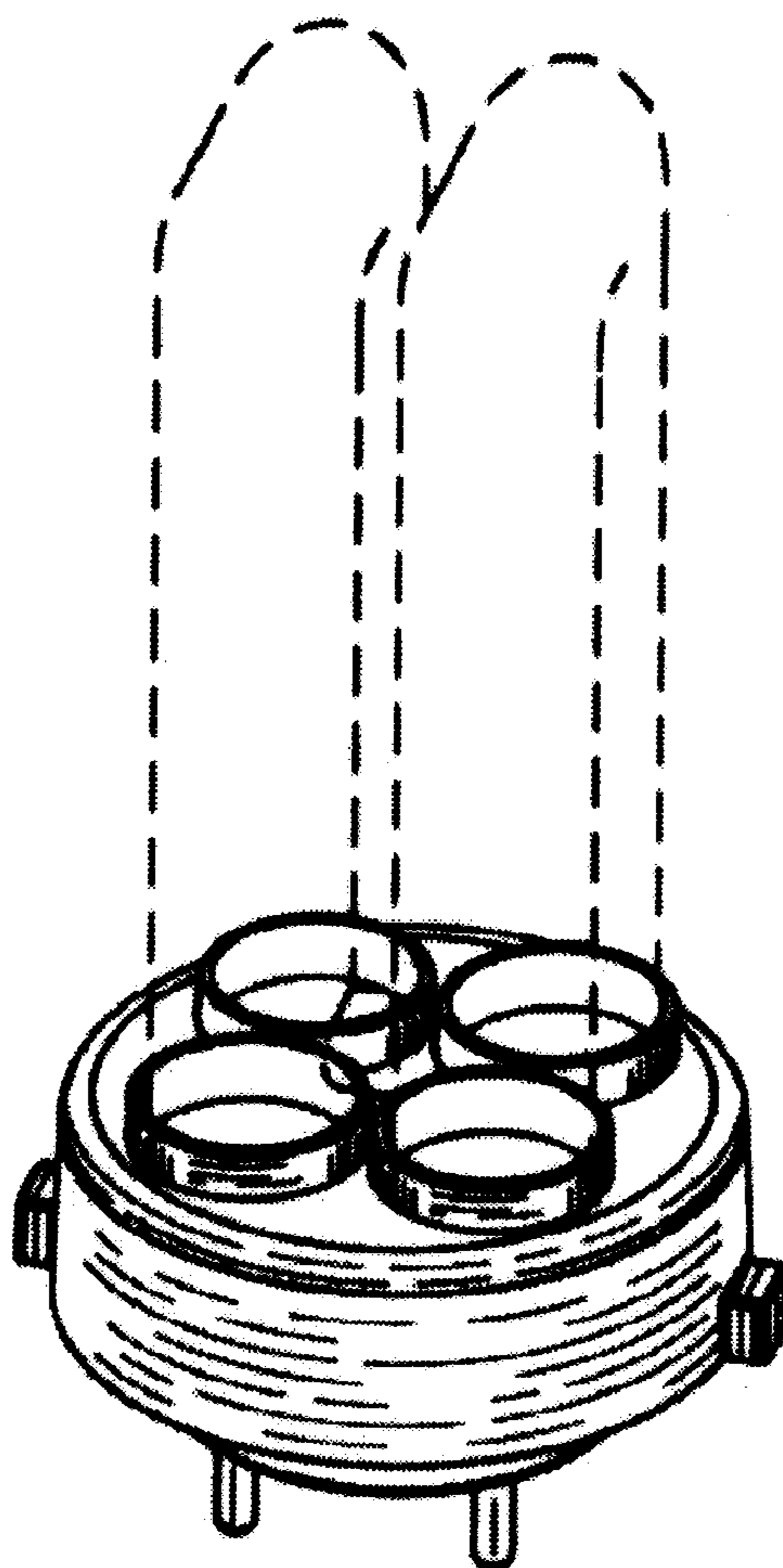
(56) **References Cited**

U.S. PATENT DOCUMENTS

D363,359 S * 10/1995 Henrici et al. D26/28

D448,096 S * 9/2001 Choi D26/3

1 Claim, 1 Drawing Sheet



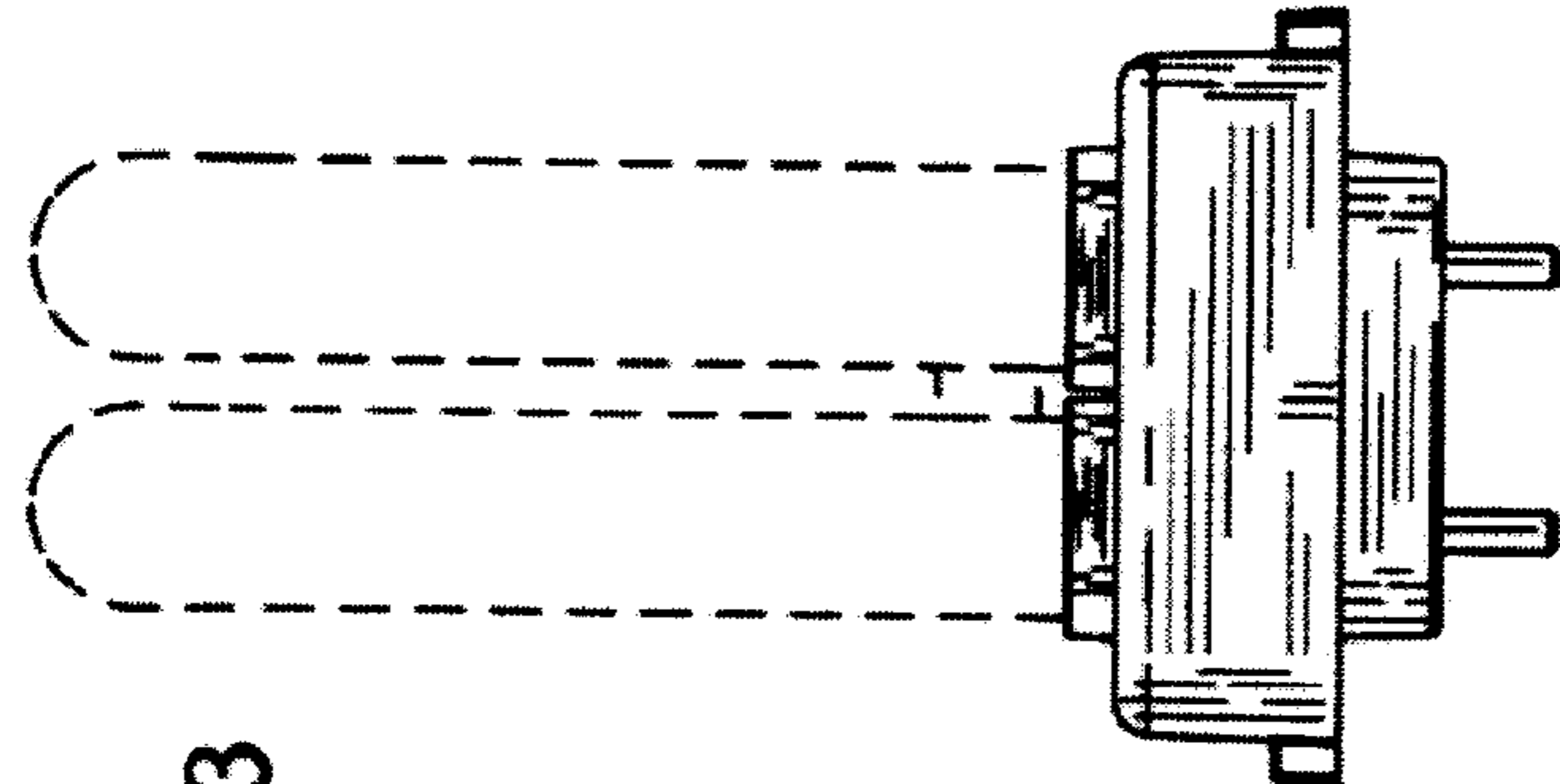


FIG. 1

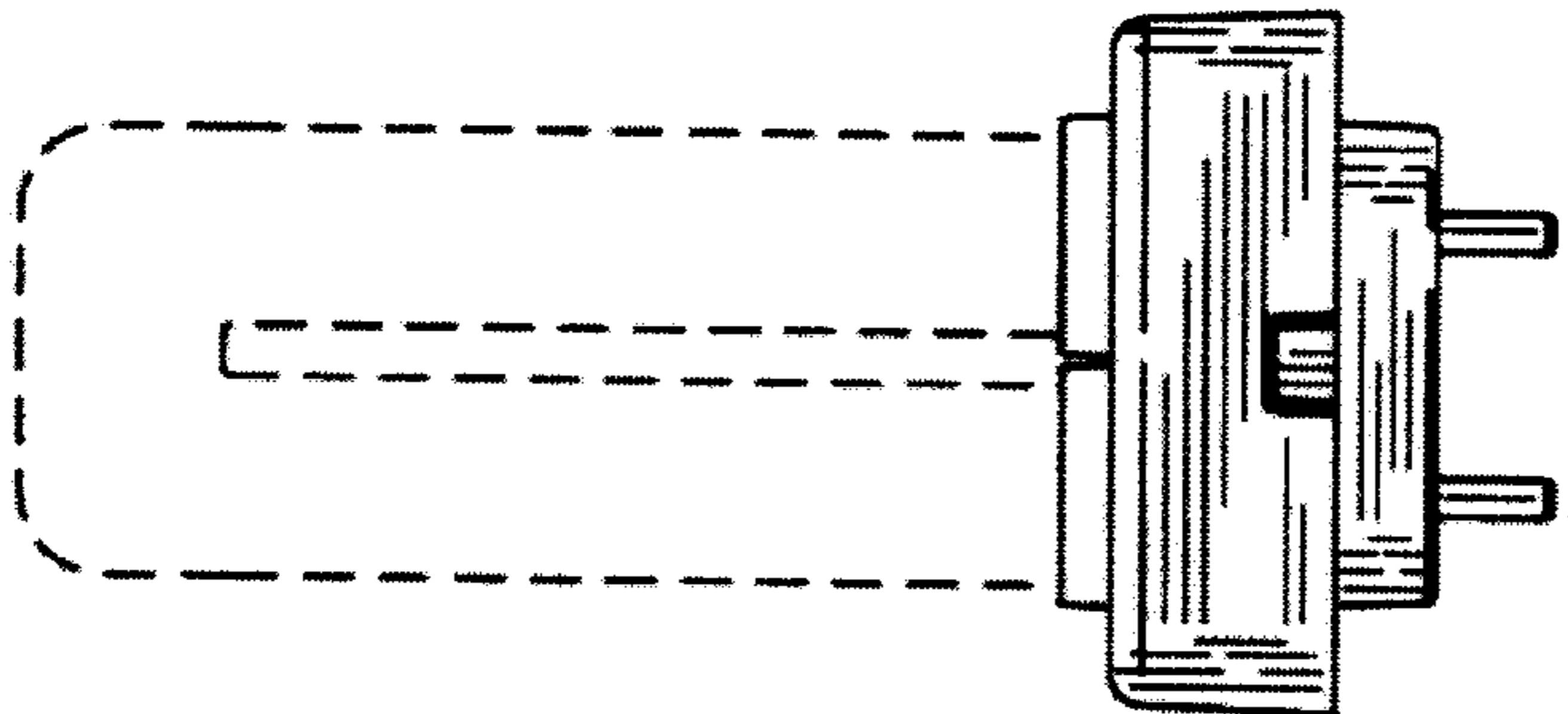


FIG. 2

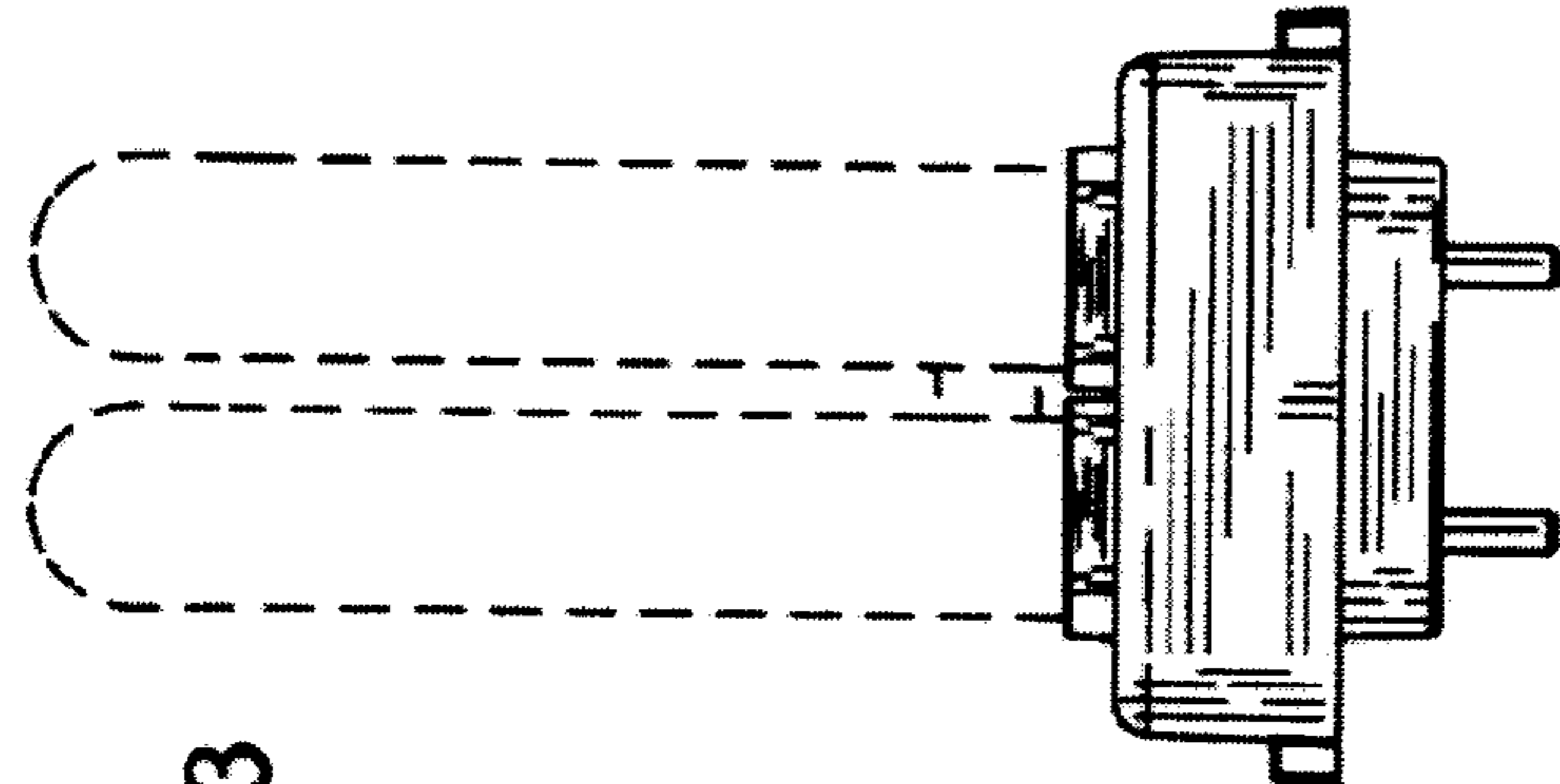


FIG. 3

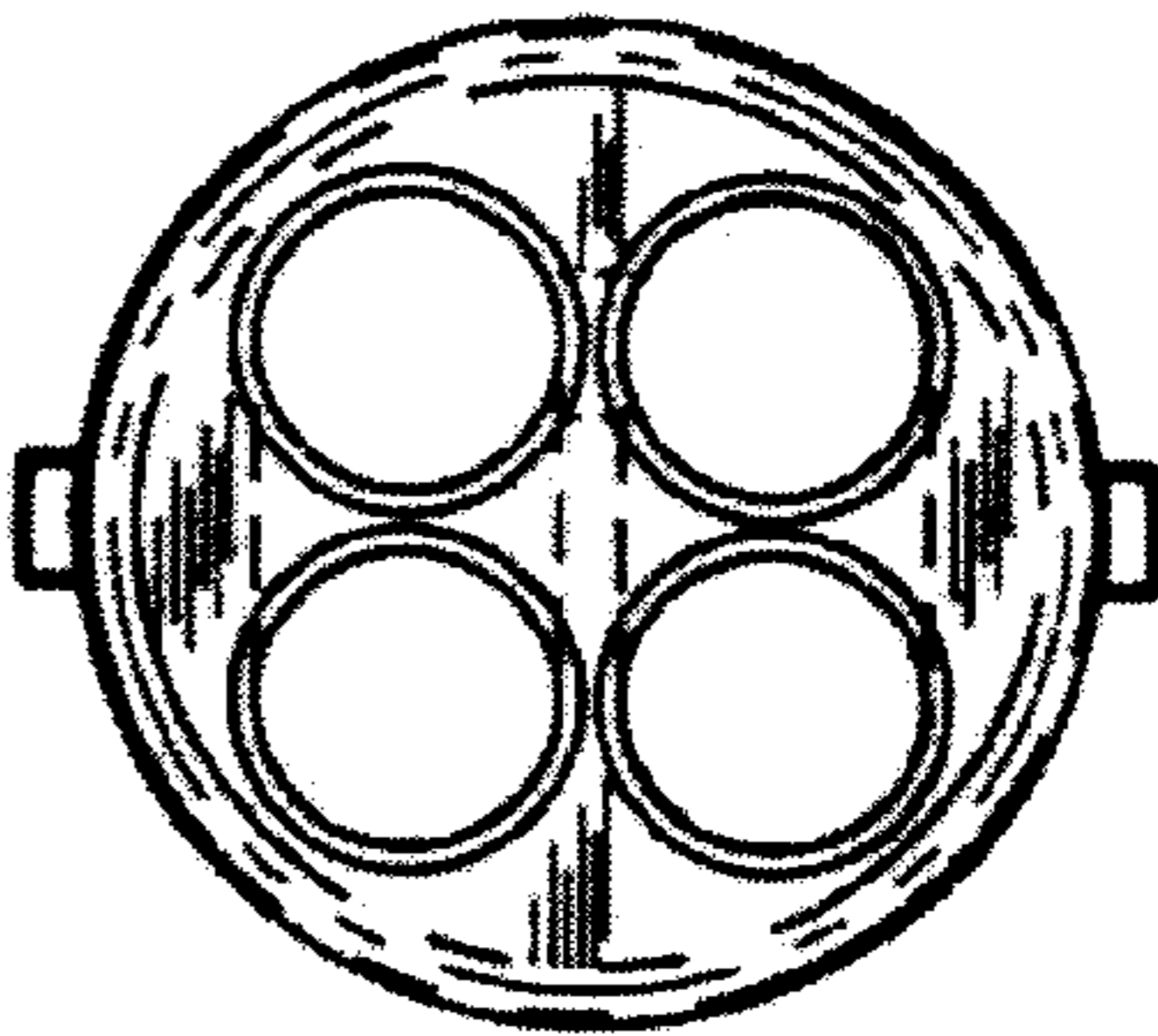


FIG. 4

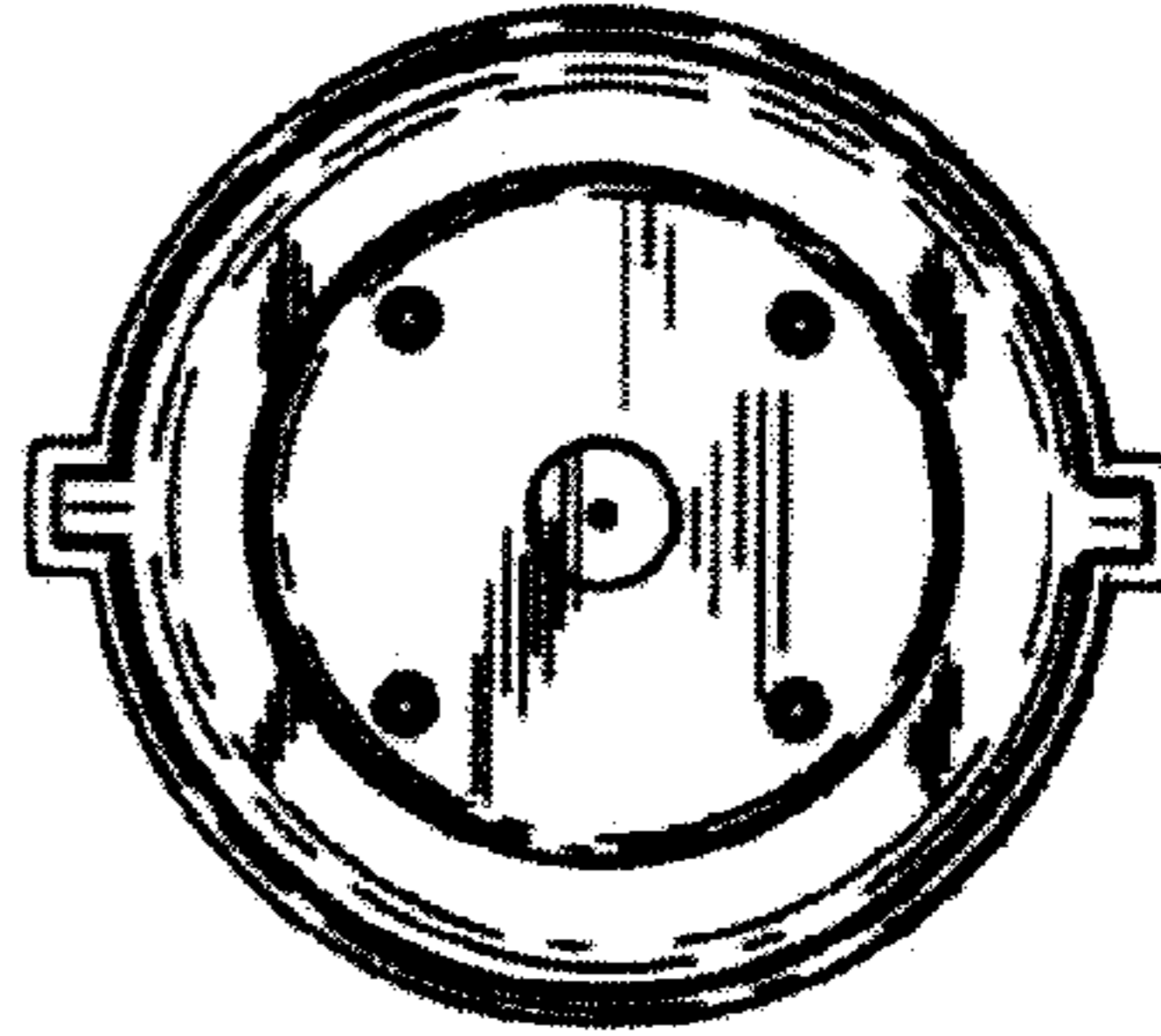


FIG. 5