



US00D539446S

(12) **United States Design Patent**
Leung

(10) **Patent No.:** **US D539,446 S**

(45) **Date of Patent:** **** Mar. 27, 2007**

(54) **BASE FOR FLUORESCENT LAMP**

D528,228 S * 9/2006 Kakuno et al. D26/2
D529,636 S * 10/2006 Kakuno et al. D26/3

(75) Inventor: **James C. P. Leung**, Hong Kong (HK)

* cited by examiner

(73) Assignee: **Masterwise International Limited**,
Hong Kong (HK)

Primary Examiner—Marcus A. Jackson
(74) *Attorney, Agent, or Firm*—Alix, Yale & Ristas, LLP

(**) Term: **14 Years**

(57) **CLAIM**

(21) Appl. No.: **29/257,897**

The ornamental design for a base for fluorescent lamp, as shown and described.

(22) Filed: **Apr. 12, 2006**

DESCRIPTION

(51) **LOC (8) Cl.** **26-04**

(52) **U.S. Cl.** **D26/3**

(58) **Field of Classification Search** D26/1-4;
313/313, 315, 317, 318, 493; 315/52, 53,
315/56, 57, 58

See application file for complete search history.

FIG. 1 is a front perspective elevational view of a base for fluorescent lamp showing my new design;
FIG. 2 is a front elevational view thereof, the rear elevational view being a mirror image;
FIG. 3 is a side elevational view thereof, the opposite elevational view being a mirror image;
FIG. 4 is a top plan view thereof; and,
FIG. 5 is a bottom plan view thereof.

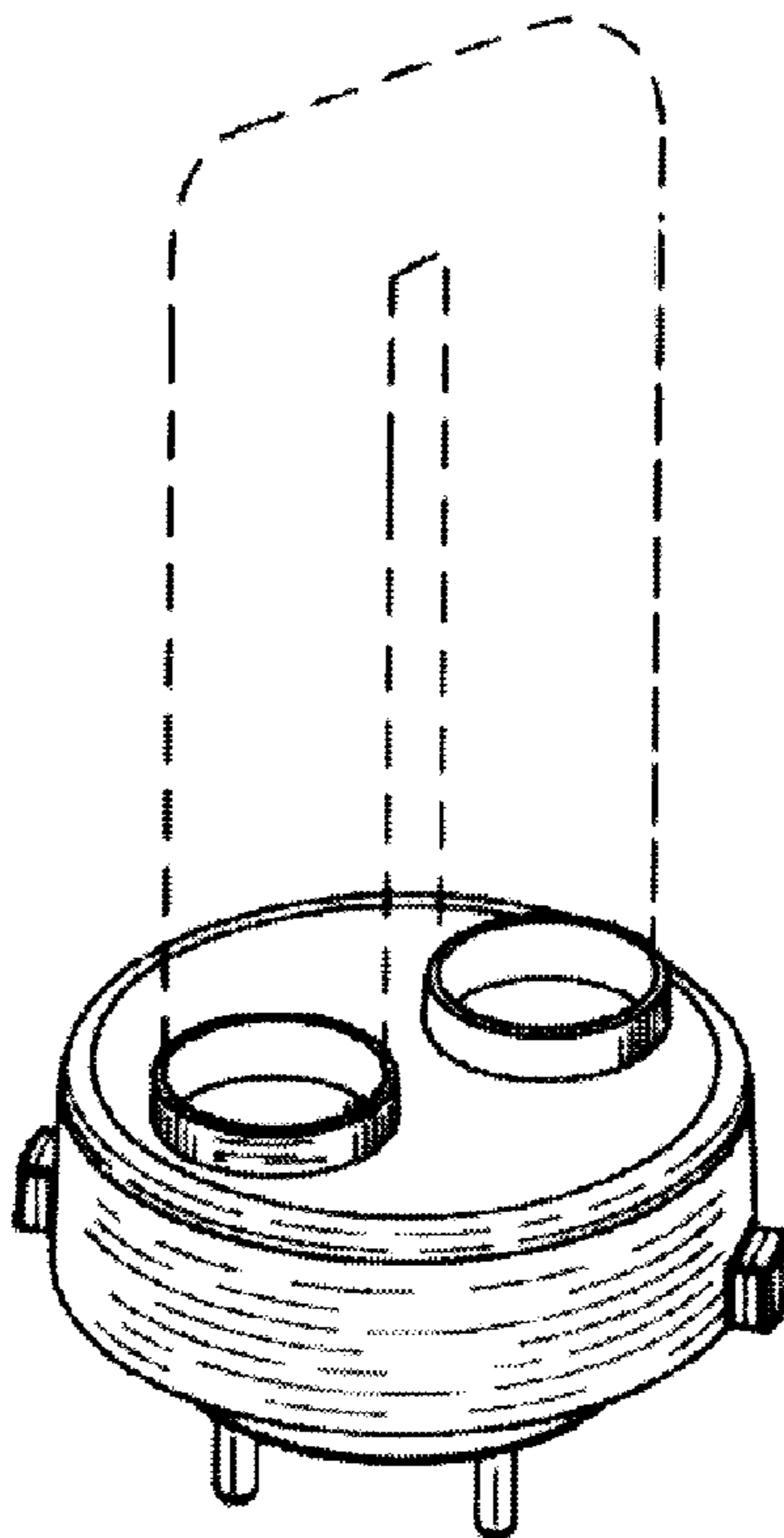
The broken lines in the figures are for illustrative purposes only and form no part of the claimed design.

(56) **References Cited**

U.S. PATENT DOCUMENTS

D363,359 S * 10/1995 Henrici et al. D26/28
D448,096 S * 9/2001 Choi D26/3
D521,451 S * 5/2006 Wiskerke D13/134

1 Claim, 1 Drawing Sheet



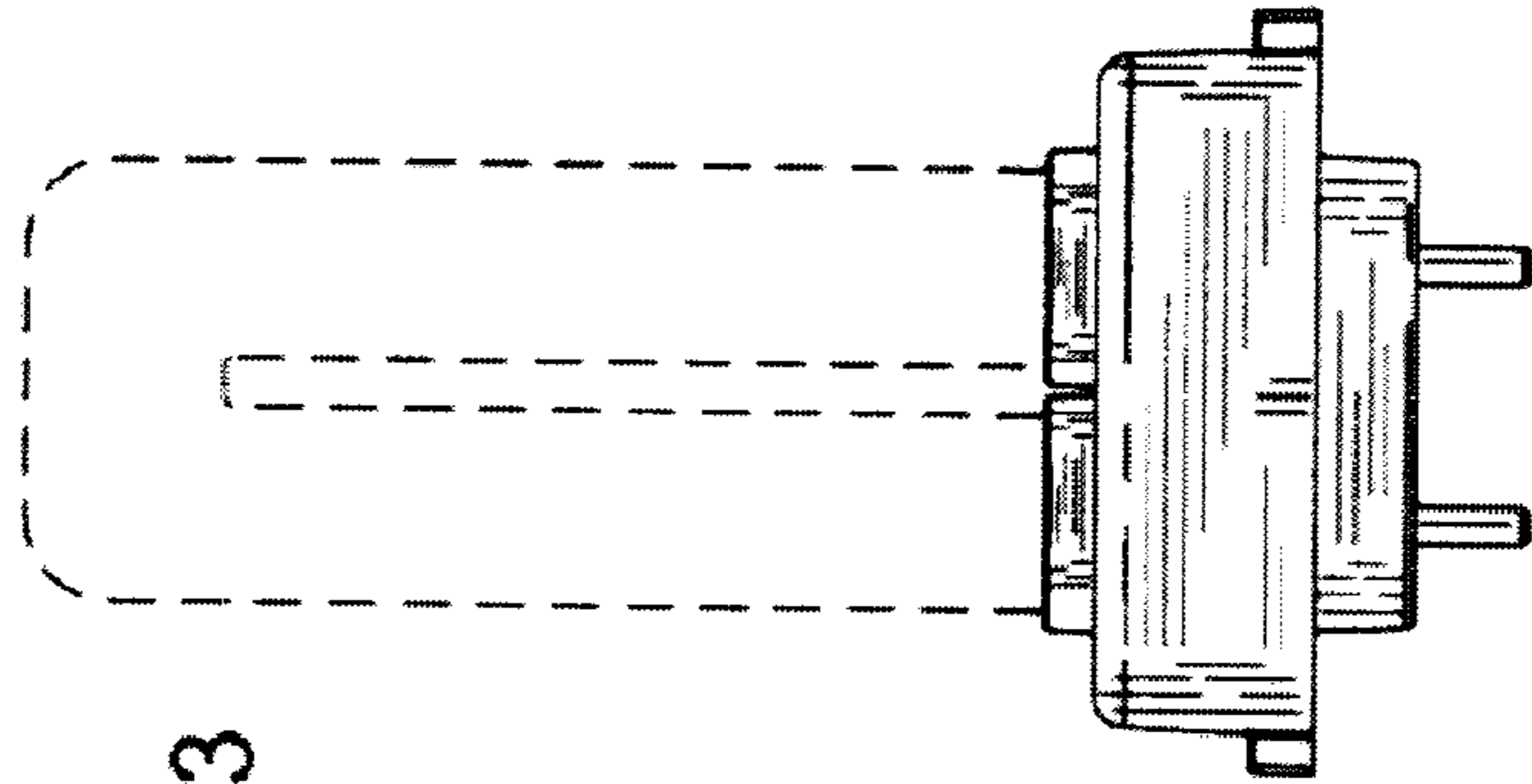


FIG. 1

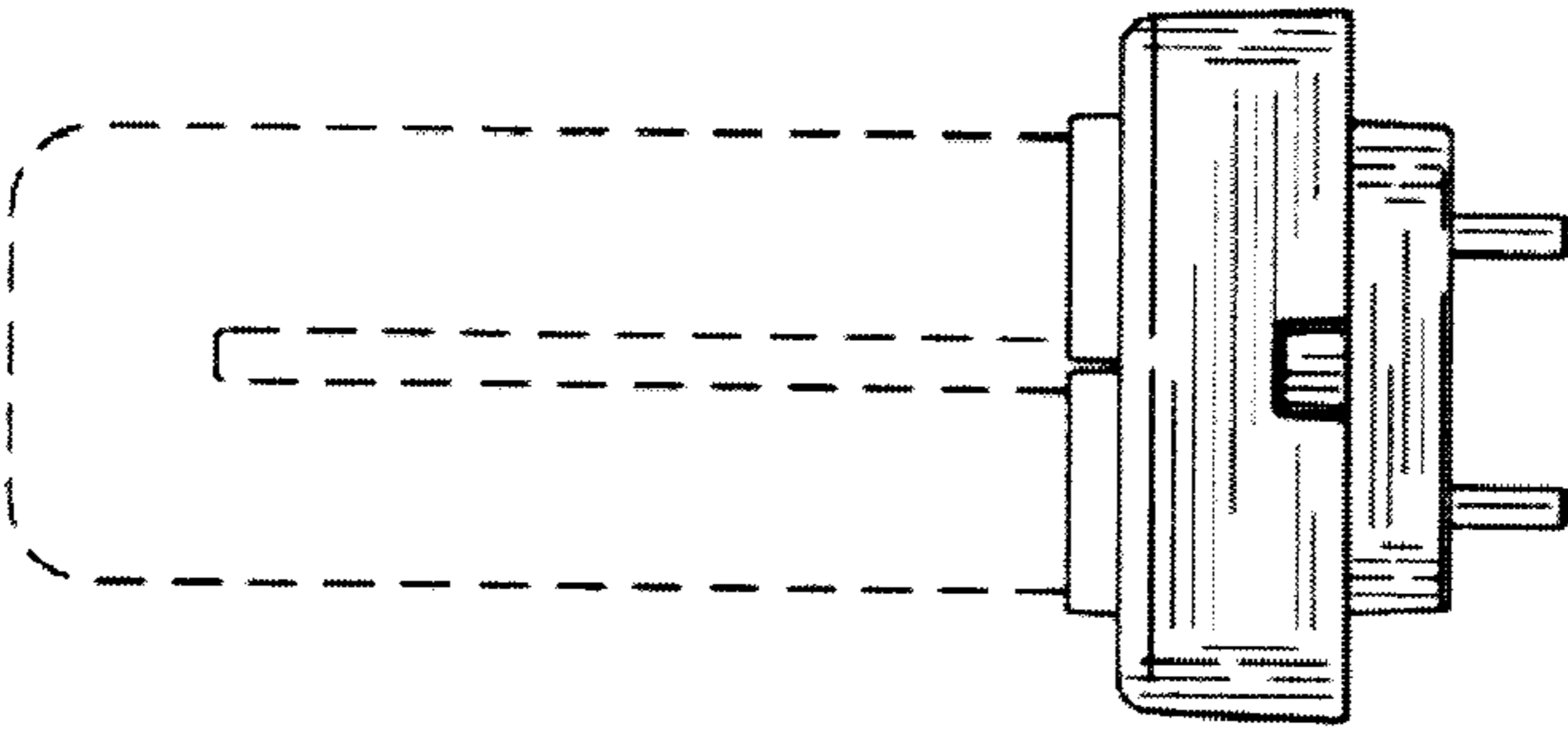


FIG. 2



FIG. 3

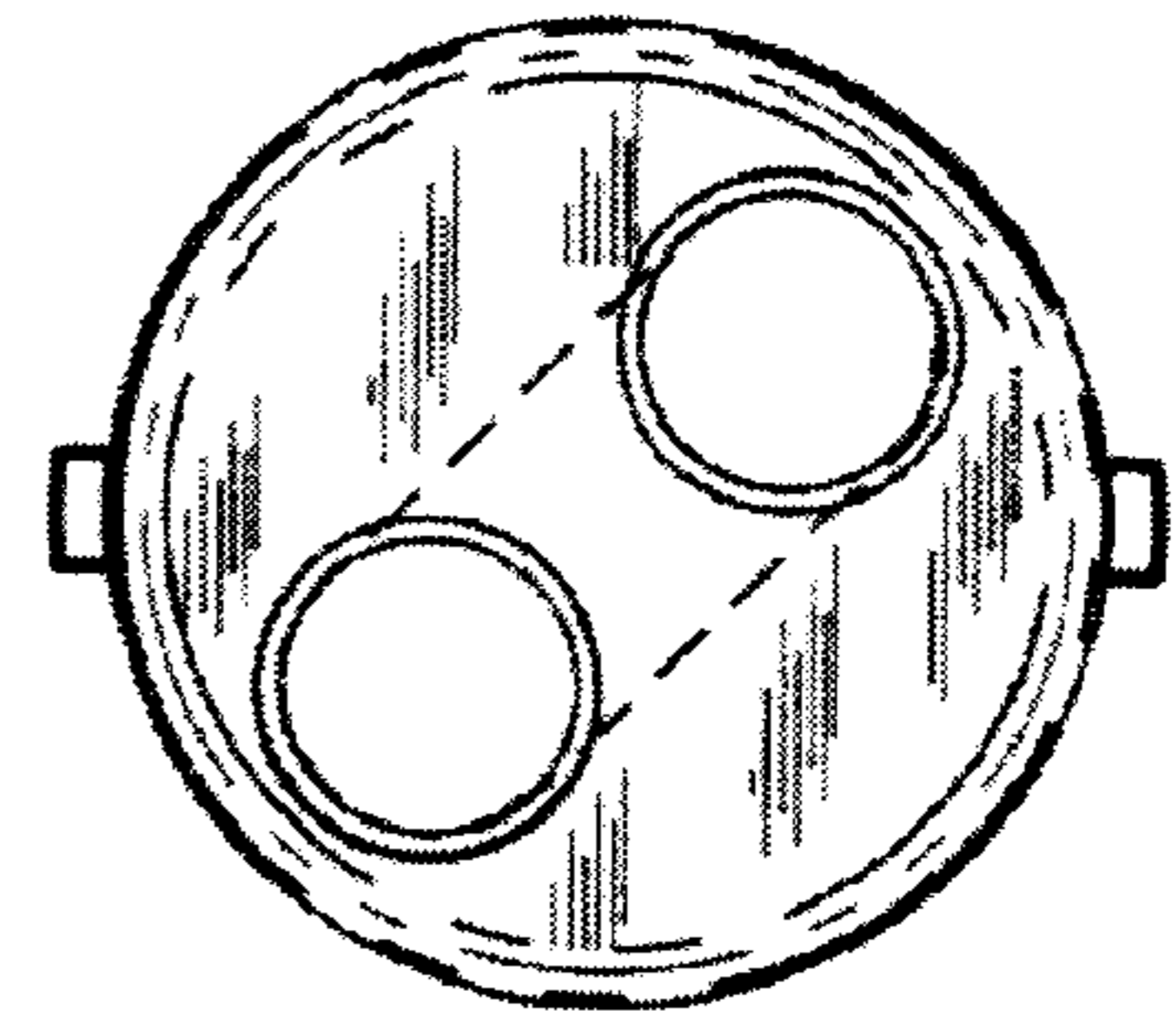


FIG. 4

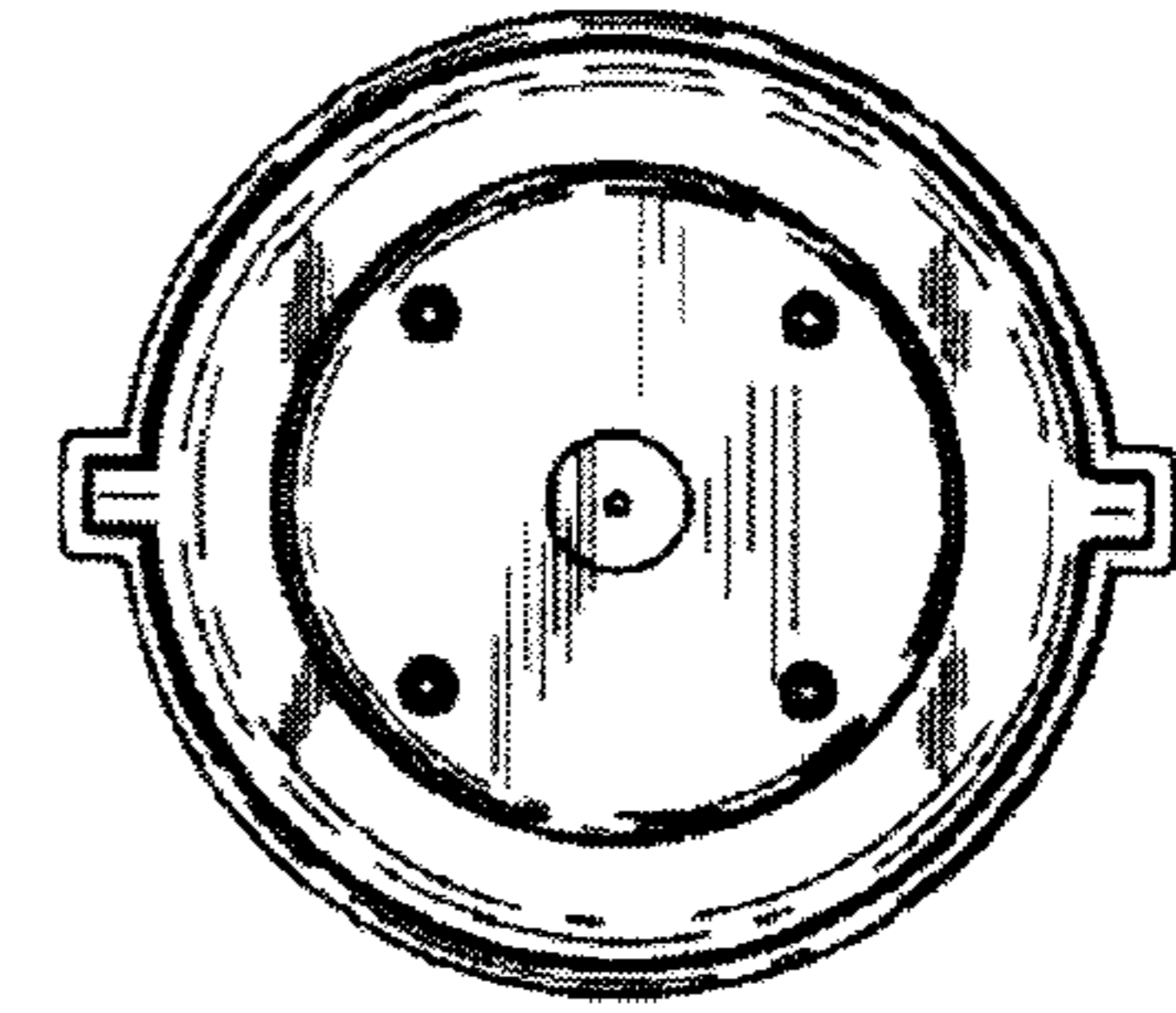


FIG. 5