



US00D539443S

(12) **United States Design Patent** (10) **Patent No.:** **US D539,443 S**  
**Kwong et al.** (45) **Date of Patent:** **\*\* Mar. 27, 2007**

(54) **LAMP**

2004/0145293 A1 7/2004 Zhao  
2005/0018432 A1 1/2005 Buschmann et al.

(75) Inventors: **Allan Hing Chuen Kwong**, Shatin (HK); **Richard Takata**, Newport Beach, CA (US)

OTHER PUBLICATIONS

(73) Assignee: **Regal King Comercial Offshore De Macau Limitada**, Macao (CN)

PEC Lamp Online Store, 50W MR16 Wide Open 120V GU10, webpage image from <http://store.peclamp.com/331033.html>.

(\*\*) Term: **14 Years**

The Home Depot, Philips 120 Volt 75 Watt ER-30 Glass Incandescent Bulb, webpage image from [www.hopedepot.com/pre180/HDUS/EN\\_US/shop\\_cart/pg\\_print\\_product.jsp?CNTTY](http://www.hopedepot.com/pre180/HDUS/EN_US/shop_cart/pg_print_product.jsp?CNTTY).

(21) Appl. No.: **29/219,042**

(Continued)

(22) Filed: **Dec. 10, 2004**

Primary Examiner—Marcus A. Jackson

(51) **LOC (8) Cl.** ..... **26-04**

(74) *Attorney, Agent, or Firm*—Baker, Donelson, Bearman, Caldwell & Berkowitz PC

(52) **U.S. Cl.** ..... **D26/2**

(58) **Field of Classification Search** ..... D26/1-4;  
313/313, 315, 317, 318, 493; 315/56, 57,  
315/58, 73

(57) **CLAIM**

See application file for complete search history.

The ornamental design for a lamp, as shown and described.

**DESCRIPTION**

(56) **References Cited**

U.S. PATENT DOCUMENTS

3,330,951	A	7/1967	Neal	
3,401,258	A	9/1968	Guth	362/349
4,506,316	A	3/1985	Thiry et al.	
4,755,916	A	7/1988	Collins	362/236
4,761,721	A	8/1988	Willing	
D302,863	S *	8/1989	Krol	D26/26
4,870,551	A	9/1989	Nagel	
D325,994	S *	5/1992	Hume et al.	D26/2
D379,537	S	5/1997	Gallant et al.	D26/2
5,703,428	A	12/1997	Borgis	313/318.1
D398,407	S	9/1998	O'Connell	D26/2
6,004,003	A	12/1999	Dalton et al.	
6,053,623	A	4/2000	Jones et al.	
6,218,785	B1	4/2001	Incerti	
D467,358	S *	12/2002	Morris	D26/2
6,502,953	B2	1/2003	Hajianpour	
D470,607	S *	2/2003	Bobel	D26/2
6,739,737	B2	5/2004	Yu	
D498,310	S *	11/2004	Gagnon et al.	D26/2
D516,229	S *	2/2006	Tang	D26/2

FIG. 1 is a front right perspective view of our new design for a lamp;

FIG. 2 is a side elevational view thereof;

FIG. 3 is a back view thereof;

FIG. 4 is a front view thereof;

FIG. 5 is a perspective view of an alternate embodiment of our new design;

FIG. 6 is a side elevational view thereof;

FIG. 7 is a back view thereof;

FIG. 8 is a front view thereof;

FIG. 9 is a perspective view of an alternate embodiment of our new design;

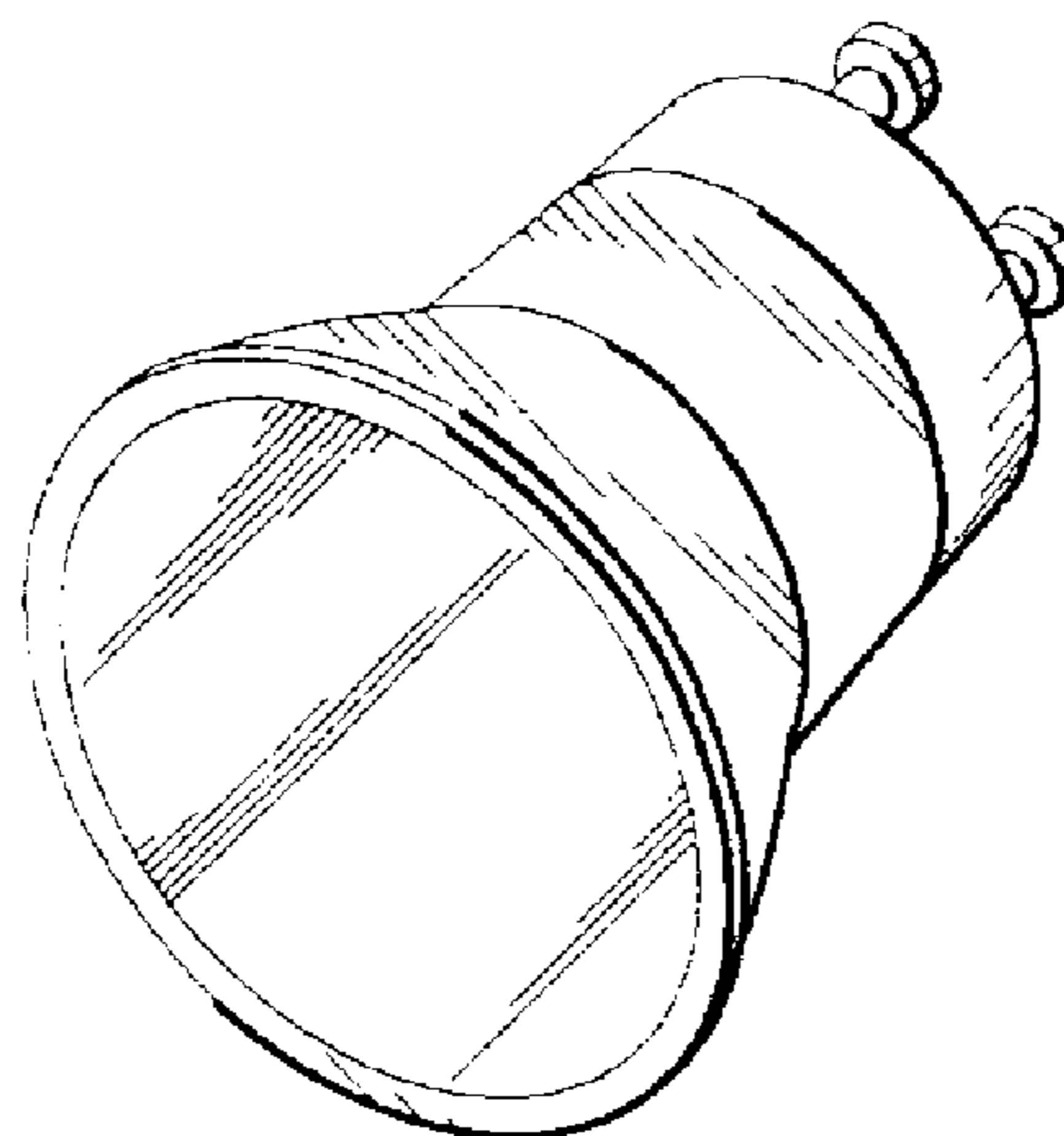
FIG. 10 is a side elevational view thereof;

FIG. 11 is a back view thereof; and,

FIG. 12 is a front view thereof.

The narrowly spaced parallel lines at a first oblique angle in FIGS. 1, 4, 5, 8, 9, and 12 illustrate a transparent front wall for the lamp and the wider spaced parallel lines at a second oblique angle illustrate translucent side walls for the lamp.

**1 Claim, 3 Drawing Sheets**



OTHER PUBLICATIONS

The Home Depot, Philips 45 Watt Floodlight PAR 16 Halogen Bulb, webpage image from [www.hopedepot.com/pre180/HDUS/EN\\_US/shop\\_cart/pg\\_print\\_product.jsp?CNTTY..](http://www.hopedepot.com/pre180/HDUS/EN_US/shop_cart/pg_print_product.jsp?CNTTY..)

The Home Depot, Philips 60 Watt Halogen PAR 16 Flood Bulb, webpage image from [www.hopedepot.com/pre180/HDUS/EN\\_US/shop\\_cart/pg\\_print\\_product.jsp?CNTTY..](http://www.hopedepot.com/pre180/HDUS/EN_US/shop_cart/pg_print_product.jsp?CNTTY..)

The Home Depot, Philips 120 Volt 75 Watt BR-30 Glass Incandescent Bulb, webpage image from [www.hopedepot.com/pre180/HDUS/EN\\_US/shop\\_cart/pg\\_print\\_product.jsp?CNTTY..](http://www.hopedepot.com/pre180/HDUS/EN_US/shop_cart/pg_print_product.jsp?CNTTY..)

The Home Depot, Philips 50 Watt Halogen PAR 30 Sport Bulb, webpage image from [www.hopedepot.com/pre180/HDUS/EN\\_US/shop\\_cart/pg\\_print\\_product.jsp?CNTTY..](http://www.hopedepot.com/pre180/HDUS/EN_US/shop_cart/pg_print_product.jsp?CNTTY..)

The Home Depot, Philips 20 Watt 12 Volt MR-15 Tungsten Halogen Bulb, webpage image from [www.hopedepot.com/pre180/HDUS/EN\\_US/shop\\_cart/pg\\_print\\_product.jsp?CNTTY..](http://www.hopedepot.com/pre180/HDUS/EN_US/shop_cart/pg_print_product.jsp?CNTTY..)

Lamp Specification & Application Guide 2004, Philips Lighting Company, 200 Franklin Square Drive, Somerset, NJ 08875-8600, pp. 5, 8, 10, 11, 39, 49, 50, 96, with cover page, "How to Use" page, and Table of Contents.

Philips Flood/Spot Mini-Reflector bulb, webpage [www.nam.lighting.Philips.com/us/consumer/products/duramax\\_IFSR.php](http://www.nam.lighting.Philips.com/us/consumer/products/duramax_IFSR.php) (Access thru "Find the bulb you need" by shape).

Philips Dura Max Long Life Reflectors, Philips Lighting, Markham, Ontario, Canada, brochure.

U.S. Appl. No. 10/951,195, filed Sep. 27, 2004, Kwong et al. 2-pin / 2-lug type bulb bases, 5 pages, Don's Bulbs, [www.donsbulbs.com](http://www.donsbulbs.com), (prior to Dec. 10, 2004).

Don's Bulbs, [www.donsbulbs.com/bulbs/g/b/gu10.gif](http://www.donsbulbs.com/bulbs/g/b/gu10.gif), prior to Dec. 10, 2004).

MR16 bulb, Don's Bulbs, [www.donsbulbs.com/bulbs/g/g/mr.16.gif](http://www.donsbulbs.com/bulbs/g/g/mr.16.gif), prior to Dec. 10, 2004.

\* cited by examiner

Fig. 1

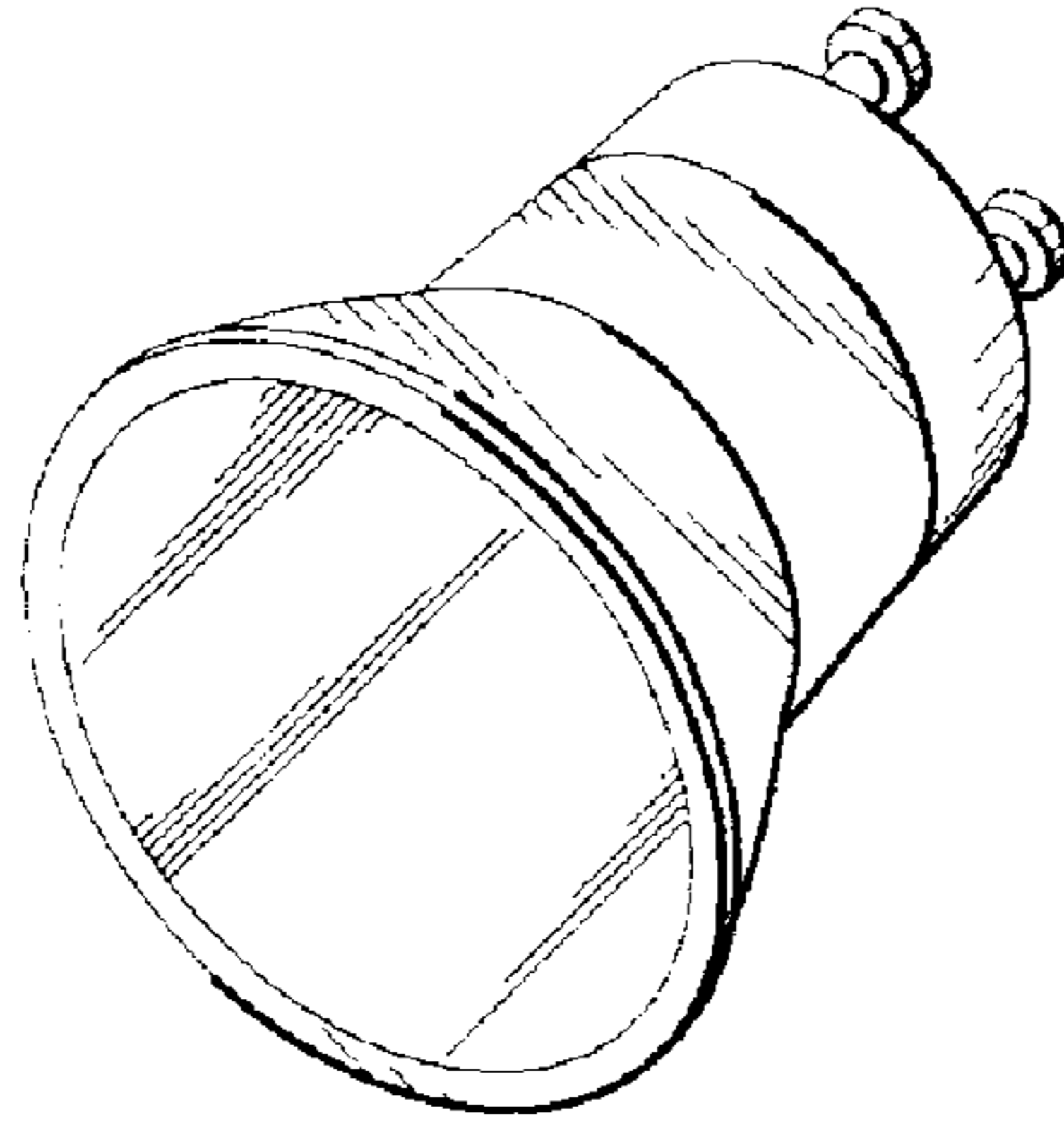


Fig. 2

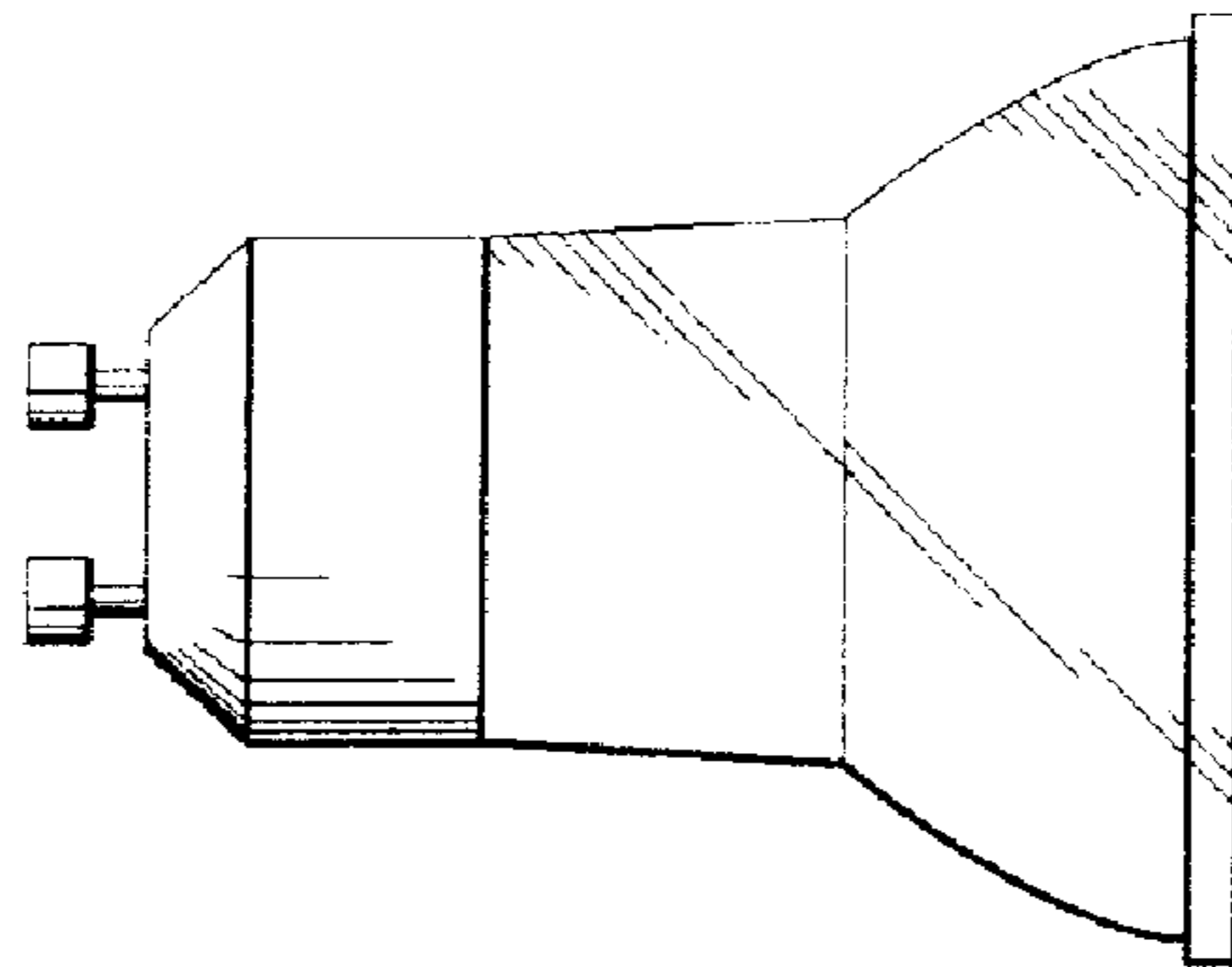


Fig. 3

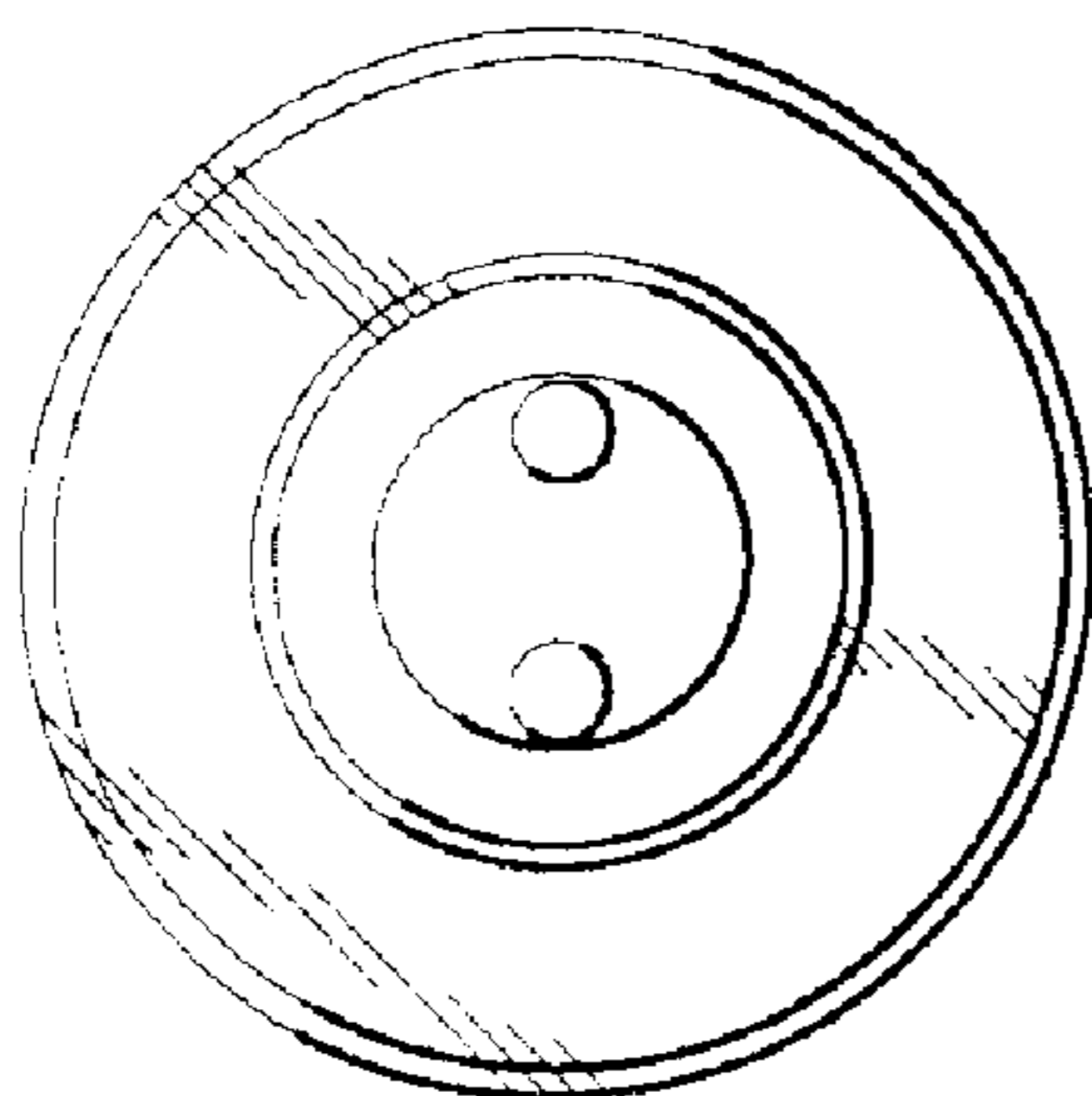


Fig. 4

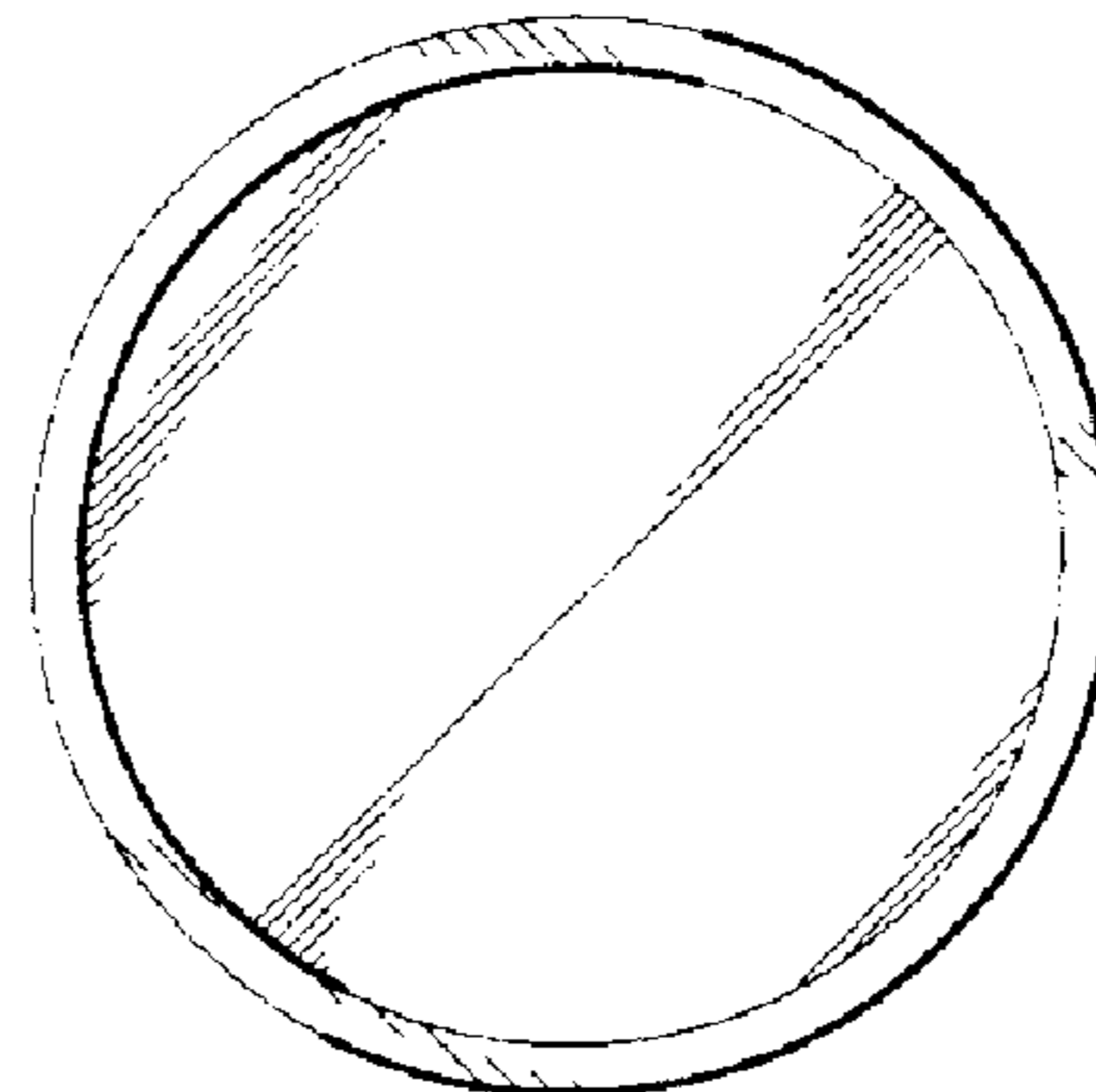


Fig. 5

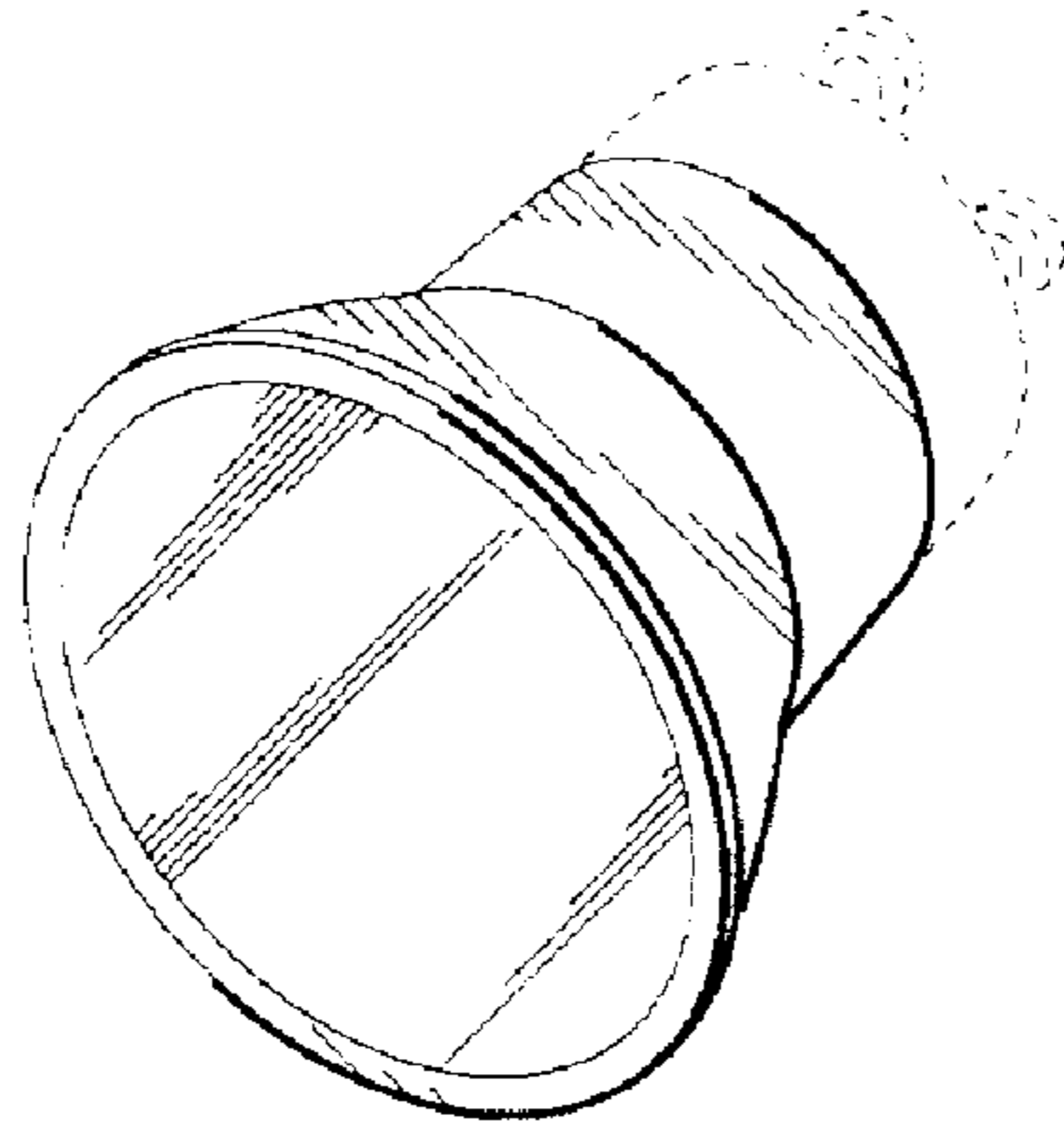


Fig. 6

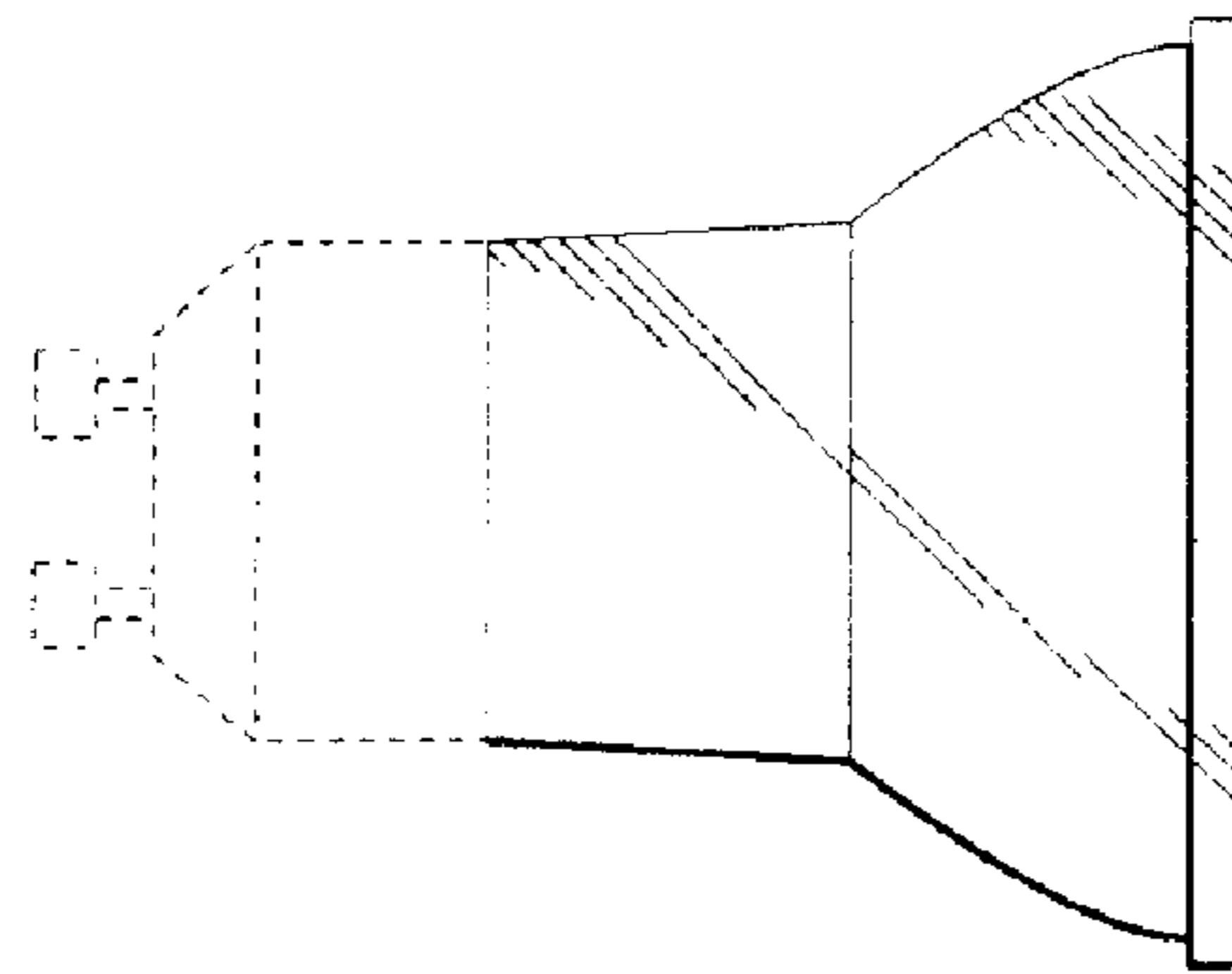


Fig. 7

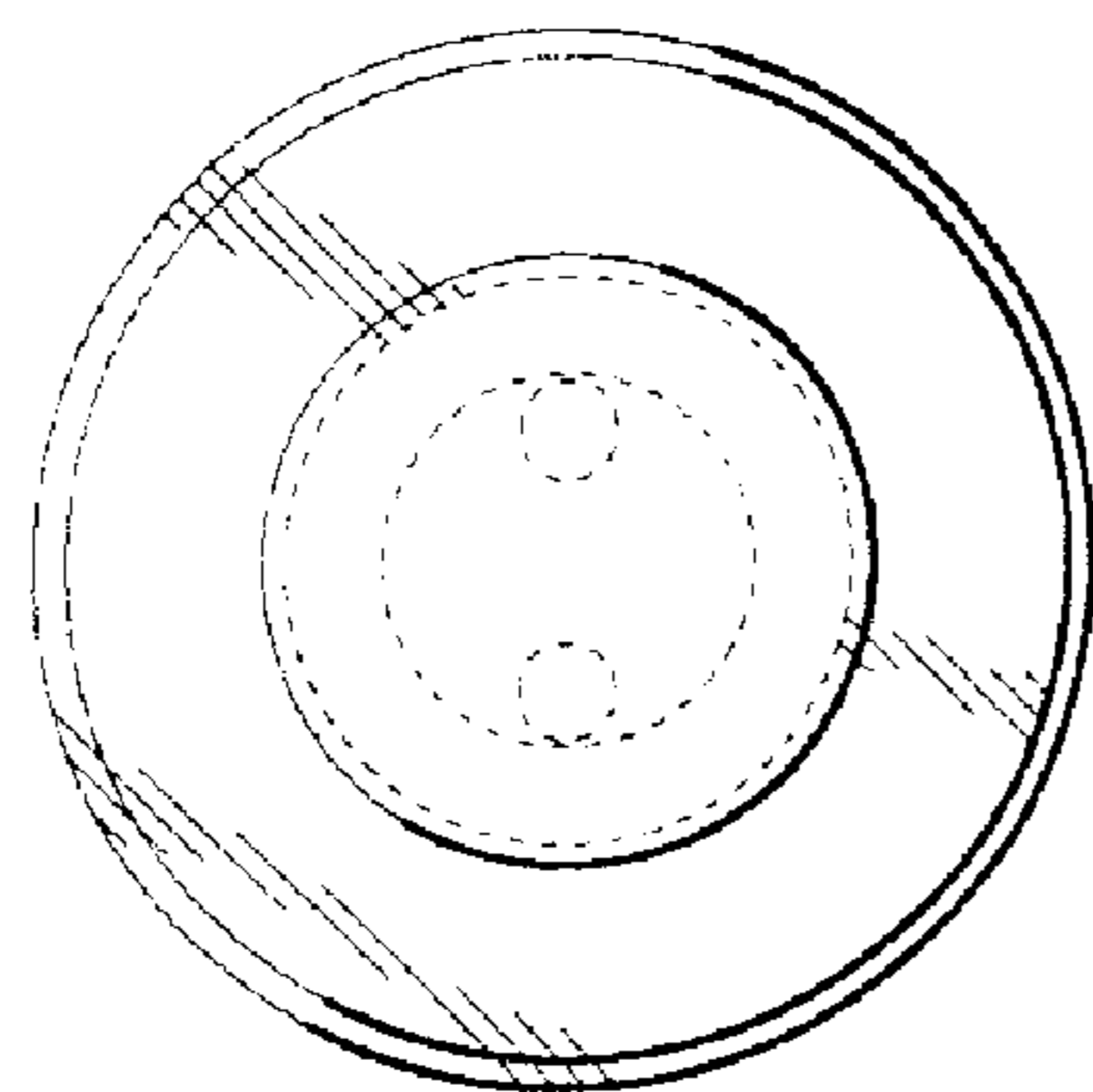


Fig. 8

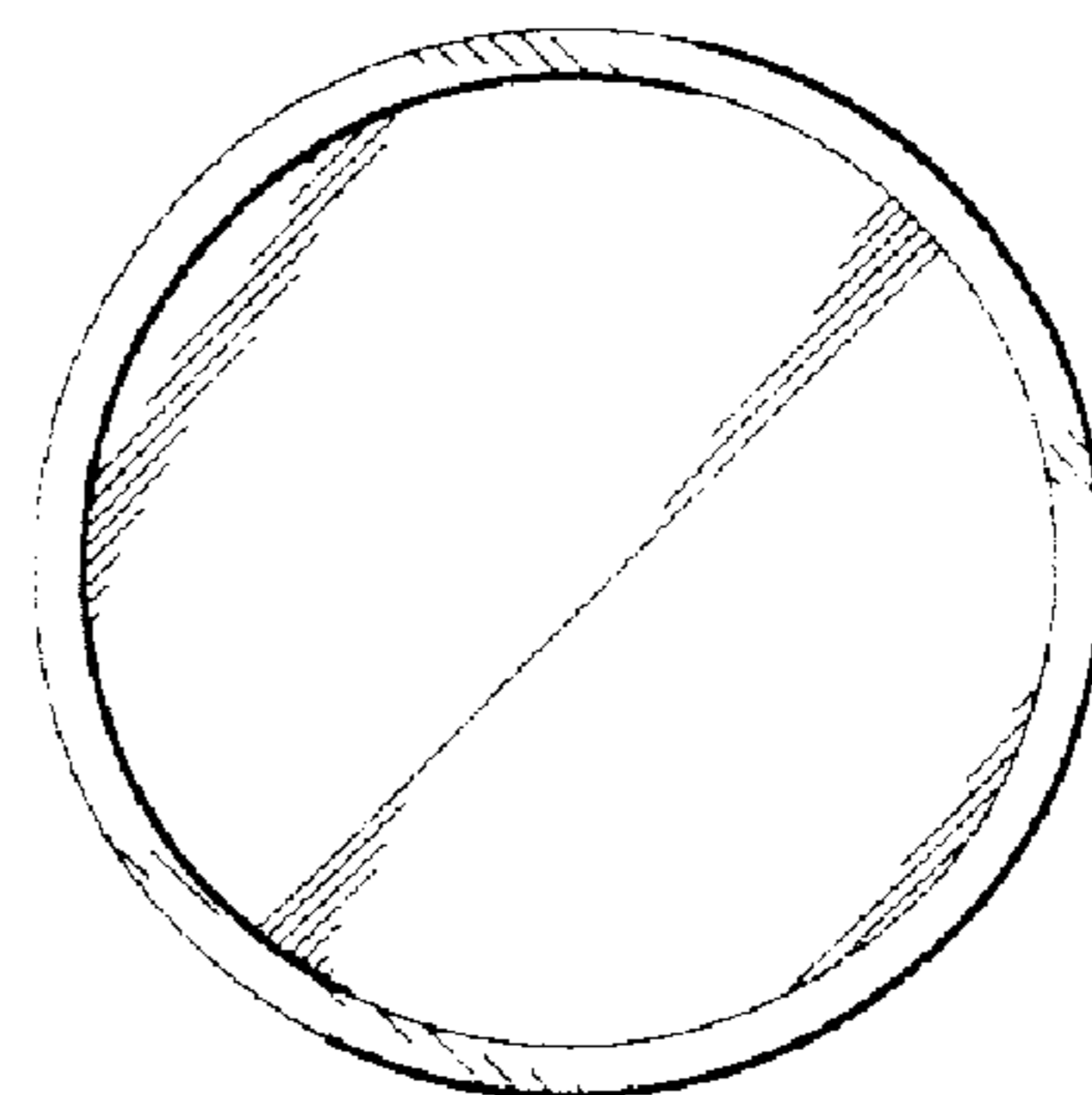


Fig. 9

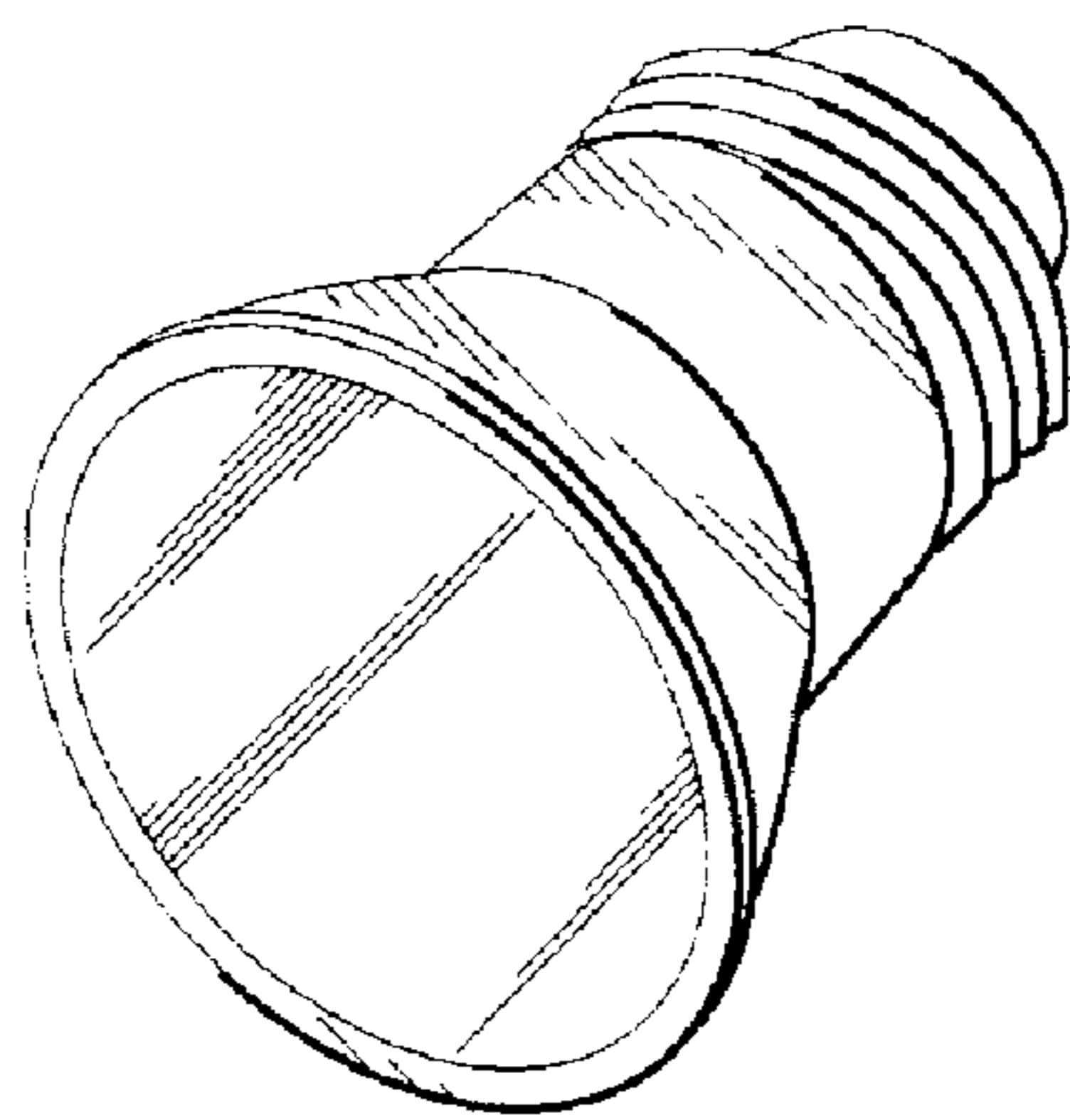


Fig. 10

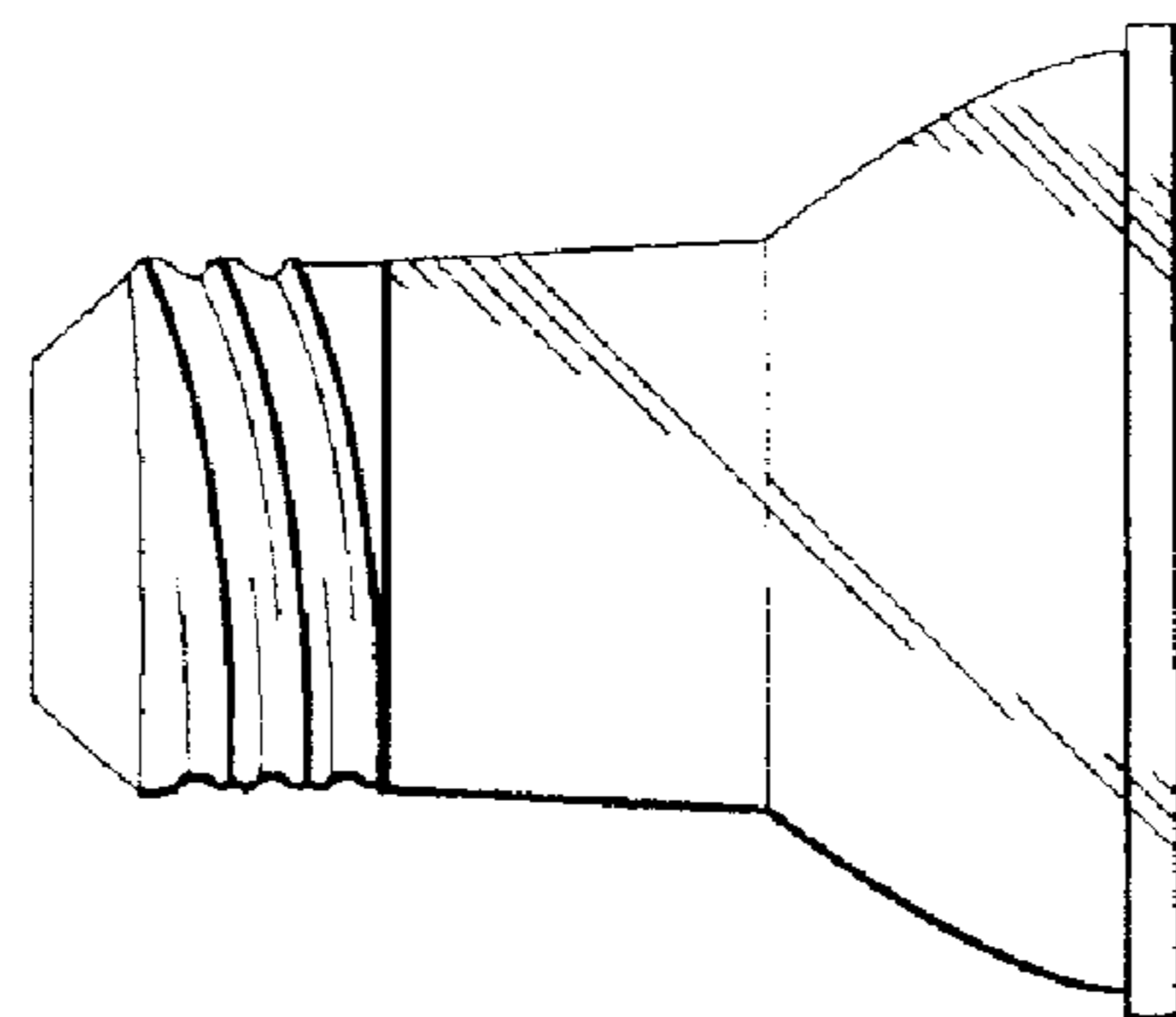


Fig. 11

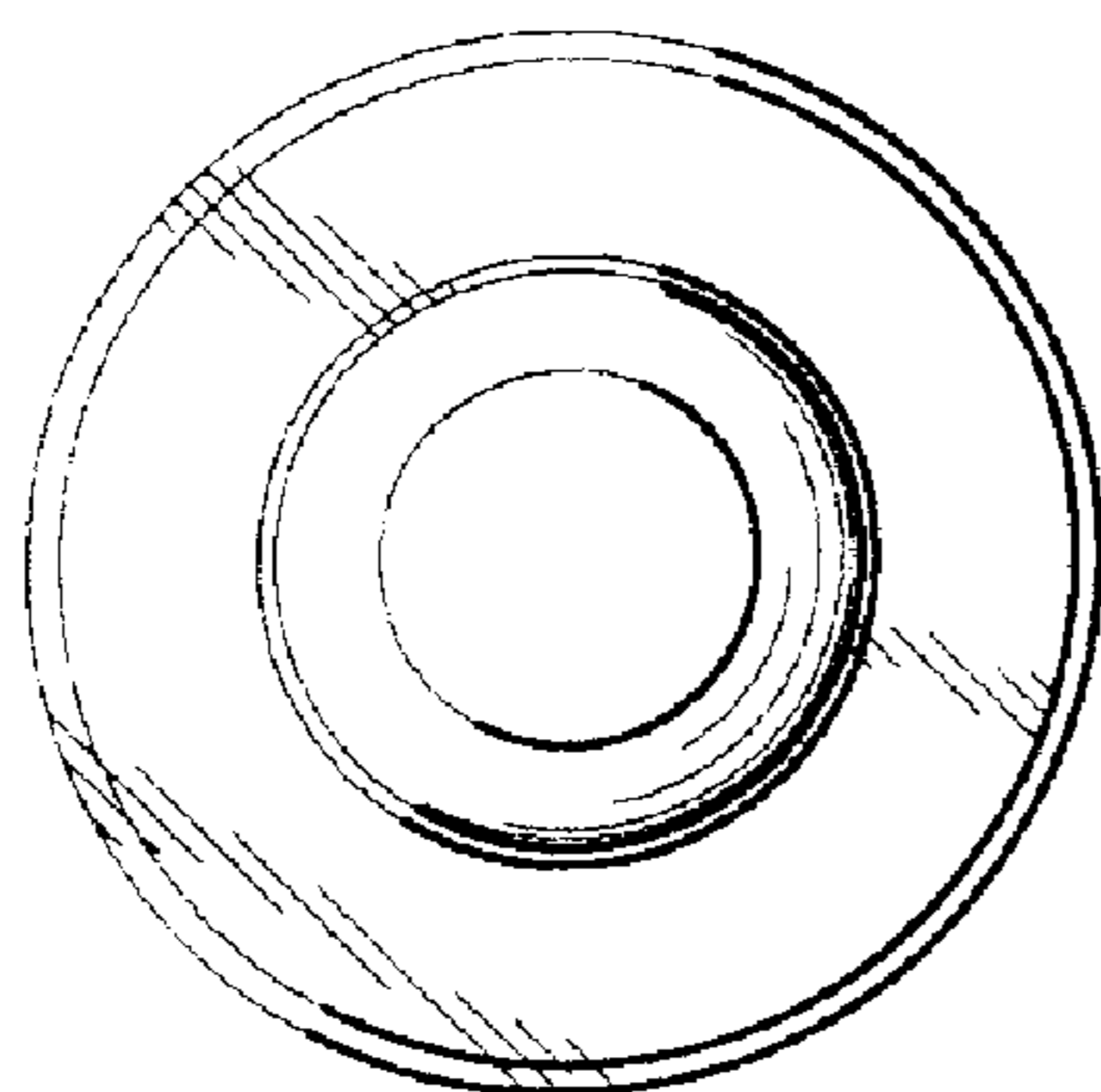


Fig. 12

