



US00D539440S

(12) **United States Design Patent**  
**Collishaw**

(10) **Patent No.:** **US D539,440 S**

(45) **Date of Patent:** **\*\* Mar. 27, 2007**

- (54) **AWNING HEAD ROD MOLDING**
  - (76) Inventor: **Charles Collishaw**, 1 Lori Ct., Spring Valley, NY (US) 10977
  - (\*\*) Term: **14 Years**
  - (21) Appl. No.: **29/228,154**
  - (22) Filed: **Apr. 21, 2005**
  - (51) **LOC (8) Cl.** ..... **25-01**
  - (52) **U.S. Cl.** ..... **D25/119**
  - (58) **Field of Classification Search** ..... D25/55, D25/136, 119, 125; 160/45, 47, 67, 78, 83.1, 160/87, 239; 52/73, 74, 716.1; 248/273; 135/88.1, 135/120.3
- See application file for complete search history.

- 5,148,640 A \* 9/1992 Reilly, Sr. .... 52/74
- 5,433,259 A 7/1995 Faludy
- 5,560,411 A 10/1996 Becker
- 5,622,214 A 4/1997 Baka et al.
- 6,279,641 B1 8/2001 Malott
- D477,420 S \* 7/2003 Butcher ..... D25/119
- D490,167 S \* 5/2004 Eichner et al. .... D25/119
- 6,782,939 B2 8/2004 Perks

\* cited by examiner

*Primary Examiner*—Doris Clark

(74) *Attorney, Agent, or Firm*—Michael E. Zall

(57) **CLAIM**

I claim the ornamental design for the awning head rod molding, as shown.

**DESCRIPTION**

FIG. 1 is a perspective view from the left front of the new design for the awning head rod molding;  
 FIG. 2 is a left side view thereof, with the right side view being identical thereto;  
 FIG. 3 is a front view thereof;  
 FIG. 4 is a rear end view thereof;  
 FIG. 5 is a top view thereof; and,  
 FIG. 6 is a bottom view thereof.

The claimed design has been broken on one end indicating indeterminate length.

- (56) **References Cited**
- U.S. PATENT DOCUMENTS
- 1,813,525 A 7/1931 Astrup
- 2,787,321 A 4/1957 Dietz
- 2,799,464 A 7/1957 D’Azzo
- 3,478,806 A 11/1969 Darula
- 3,720,438 A 3/1973 Johnson et al.
- 3,825,023 A 7/1974 Bergeron
- 4,077,419 A 3/1978 Lux
- 4,100,703 A \* 7/1978 Sickler ..... 52/16
- 4,158,244 A 6/1979 Stefan
- 4,924,895 A 5/1990 Bailie

**1 Claim, 2 Drawing Sheets**

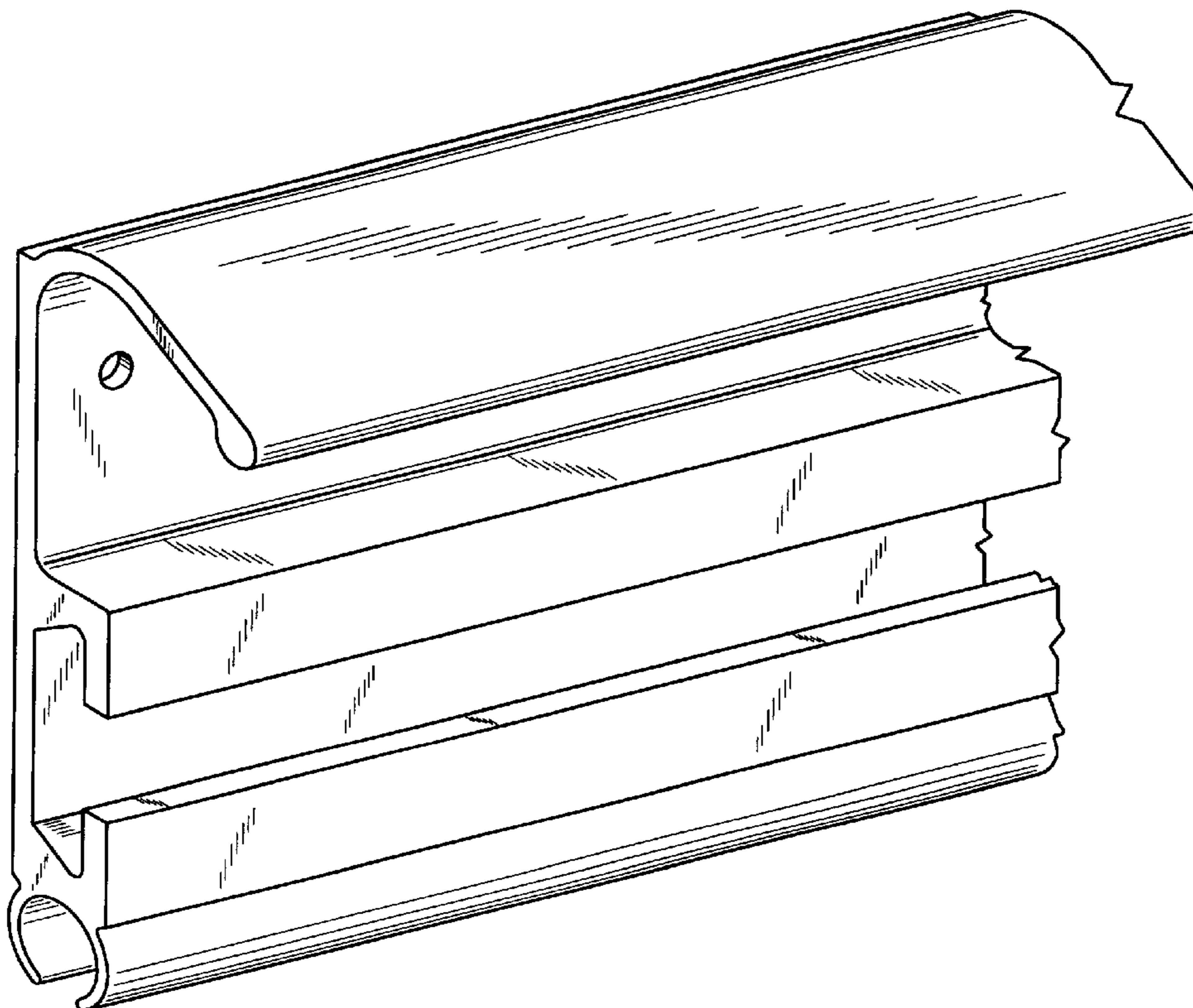


FIG. 1

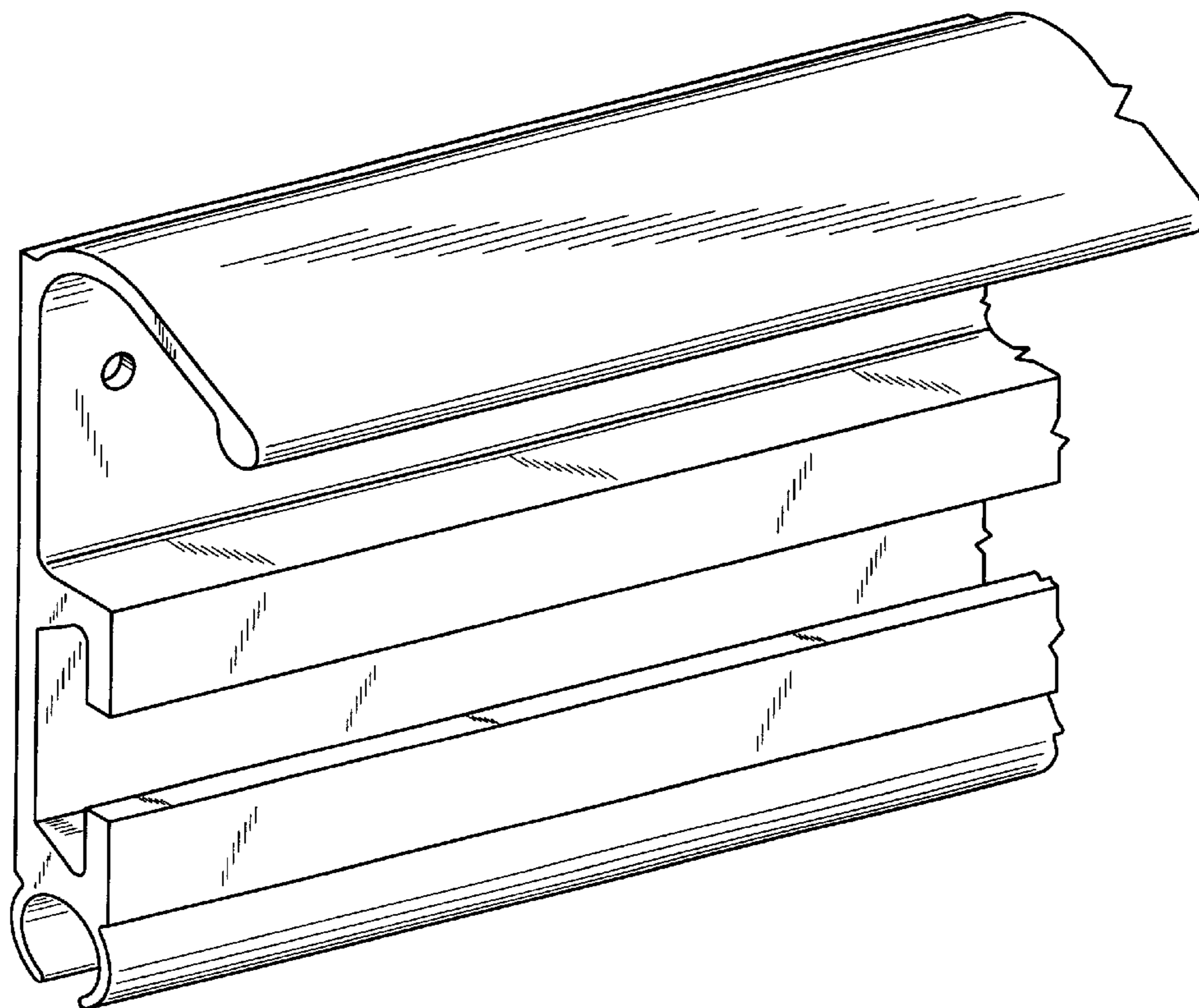


FIG. 5

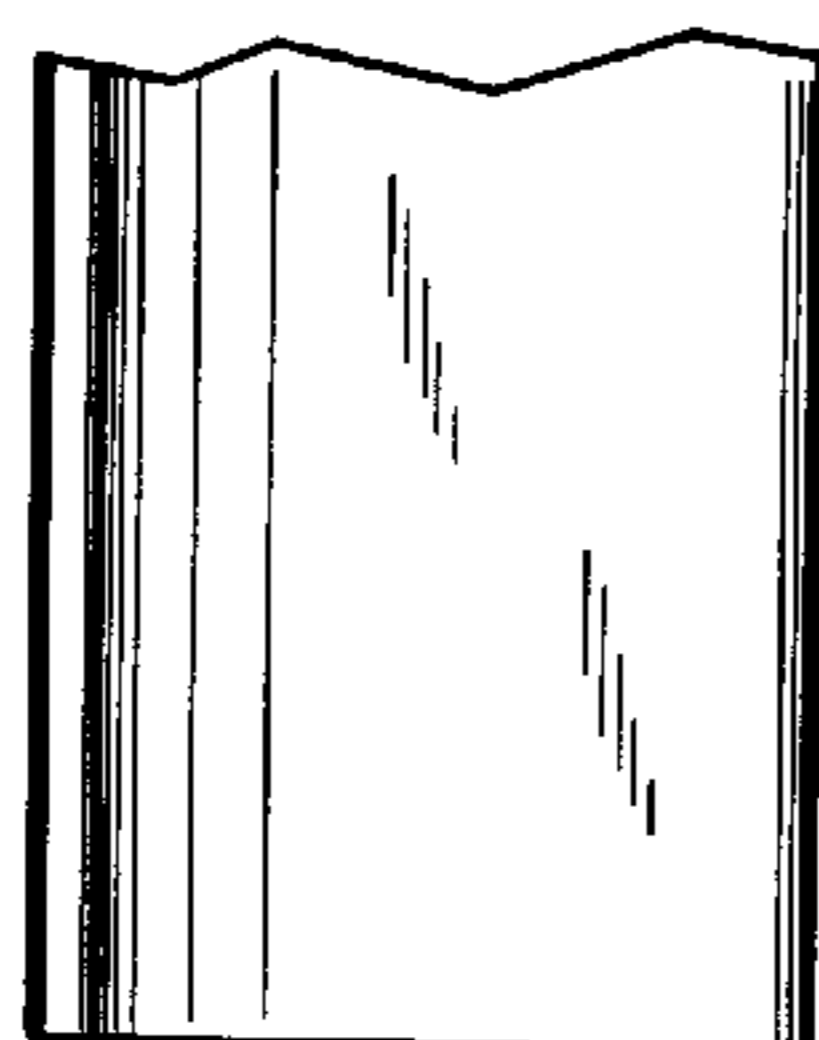


FIG. 6



FIG. 3

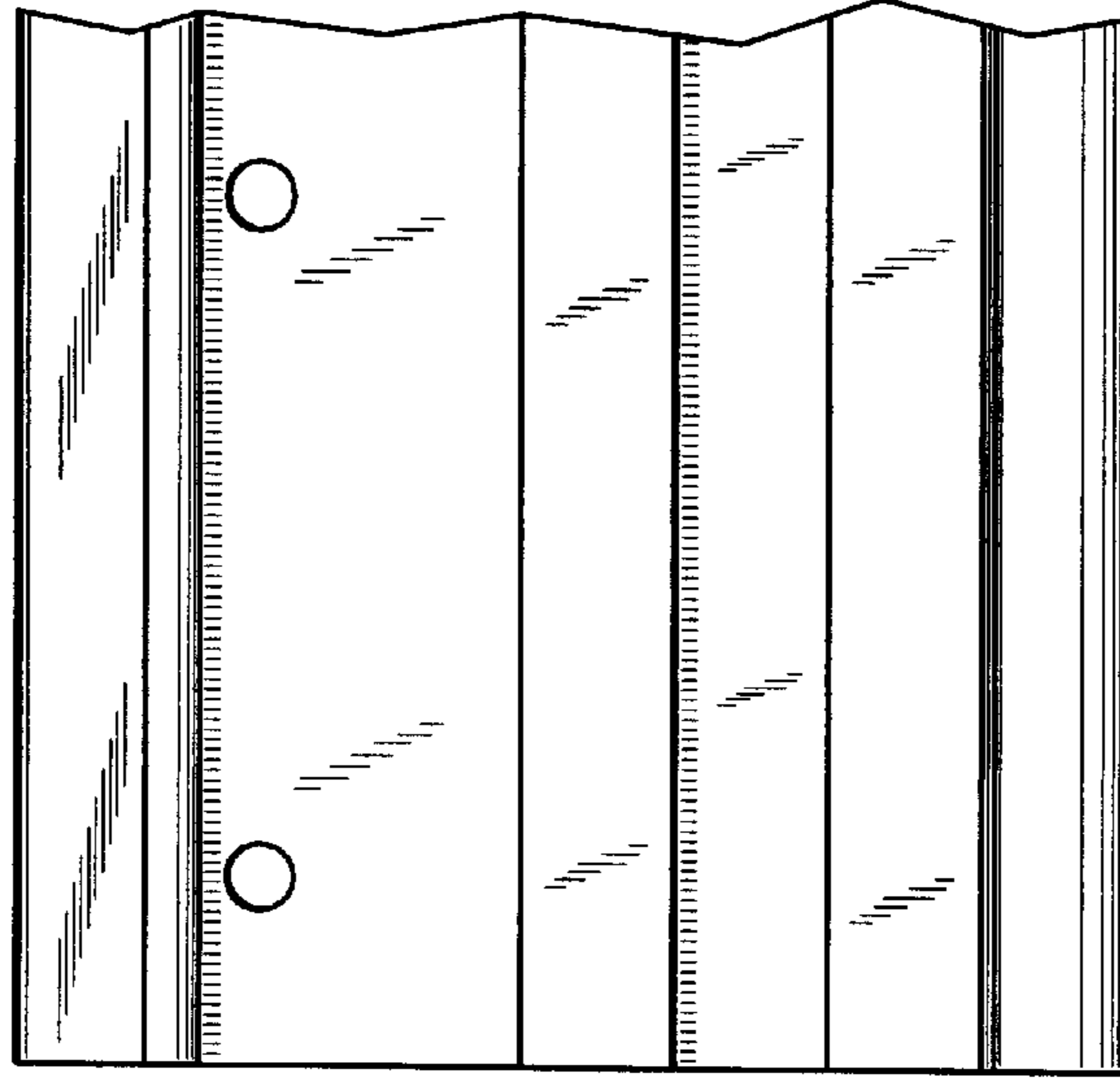


FIG. 2

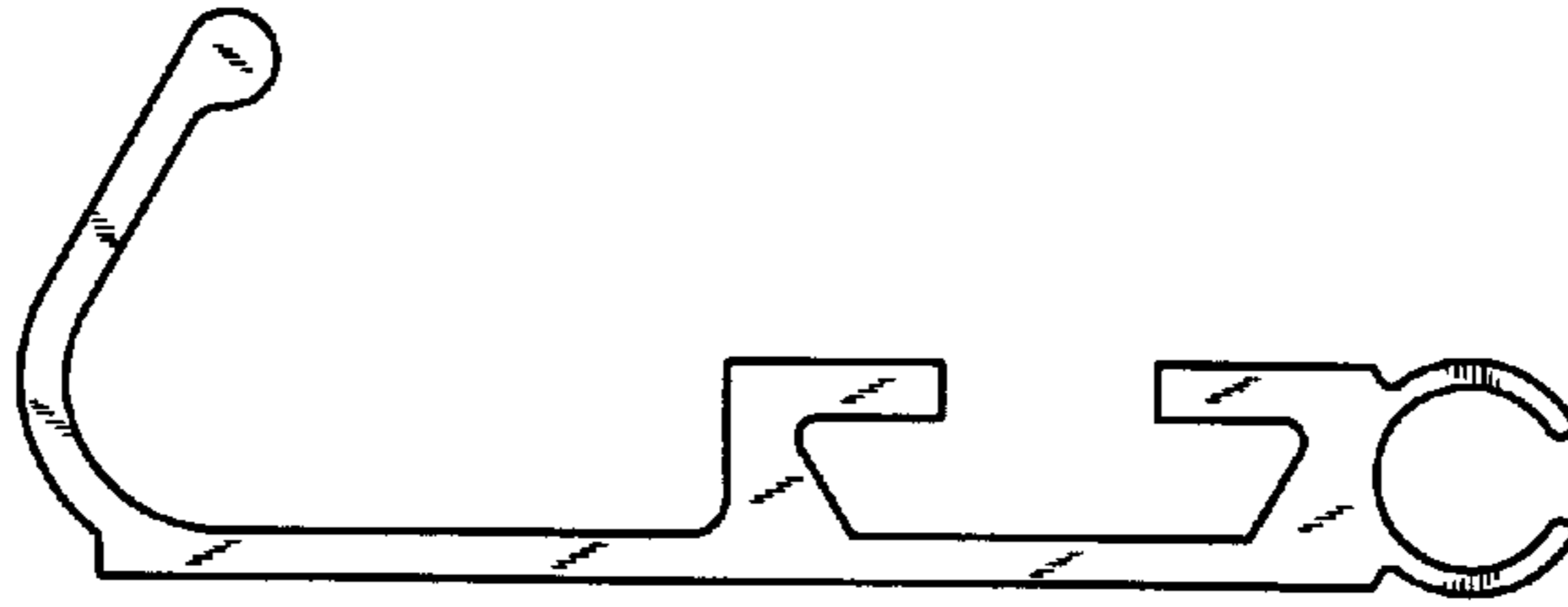


FIG. 4

