

US00D539439S

(12) **United States Design Patent**  
**Price**

(10) **Patent No.:** **US D539,439 S**

(45) **Date of Patent:** **\*\* Mar. 27, 2007**

(54) **STACKABLE WALL BLOCK**

(75) **Inventor:** **Brian A. Price**, Rochester, MN (US)

(73) **Assignee:** **Rockwood Retaining Walls, Inc.**,  
Rochester, MN (US)

(\*\*) **Term:** **14 Years**

(21) **Appl. No.:** **29/260,136**

(22) **Filed:** **May 19, 2006**

(51) **LOC (8) Cl.** ..... **25-01**

(52) **U.S. Cl.** ..... **D25/113; D25/114**

(58) **Field of Classification Search** ..... D25/112-118;  
D21/484-490, 499-502; 405/15-16, 33,  
405/35, 284-286; 404/29-42; 52/503, 504,  
52/575, 596-599, 603-605, 608, 612  
See application file for complete search history.

D479,342 S \* 9/2003 Dawson ..... D25/113

6,651,401 B2 11/2003 Price et al.

D485,371 S \* 1/2004 Burgess et al. .... D25/113

7,059,808 B2 \* 6/2006 Risi ..... 405/284

7,096,635 B2 8/2006 Price

**OTHER PUBLICATIONS**

“Classic” product literature, Rockwood Retaining Walls, 12  
pgs., 1997.

\* cited by examiner

*Primary Examiner*—Louis S. Zarfaz

*Assistant Examiner*—Gregory Andoll

(74) *Attorney, Agent, or Firm*—Patterson, Thunte, Skaar &  
Christensen, P.A.

(57) **CLAIM**

I claim the ornamental design for a stackable wall block, as  
shown.

(56) **References Cited**

**U.S. PATENT DOCUMENTS**

1,260,024	A	*	3/1918	Parton	.....	52/302.3
1,795,451	A	*	3/1931	Sharpe	.....	52/314
1,816,916	A	*	8/1931	Sentrop	.....	52/351
5,622,456	A	*	4/1997	Risi et al.	.....	405/284
5,647,185	A	*	7/1997	Forlini	.....	52/604
D403,437	S	*	12/1998	Risi et al.	.....	D25/113
D405,193	S	*	2/1999	Scales	.....	D25/113
D466,229	S	*	11/2002	Risi et al.	.....	D25/113

**DESCRIPTION**

FIG. 1 is a perspective view of a stackable wall block  
showing my new design.

FIG. 2 is a front view thereof.

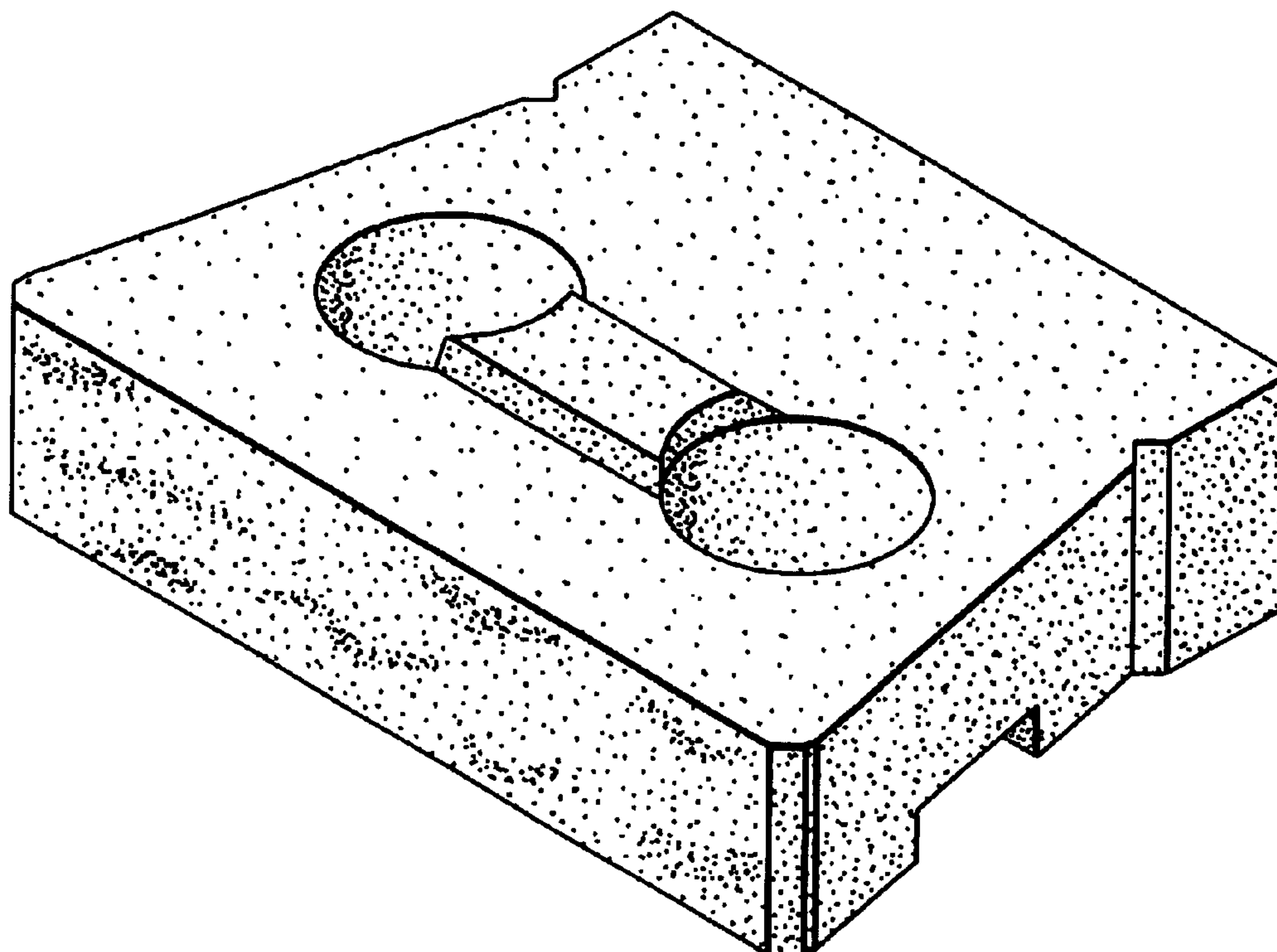
FIG. 3 is a rear view thereof.

FIG. 4 is a bottom view thereof.

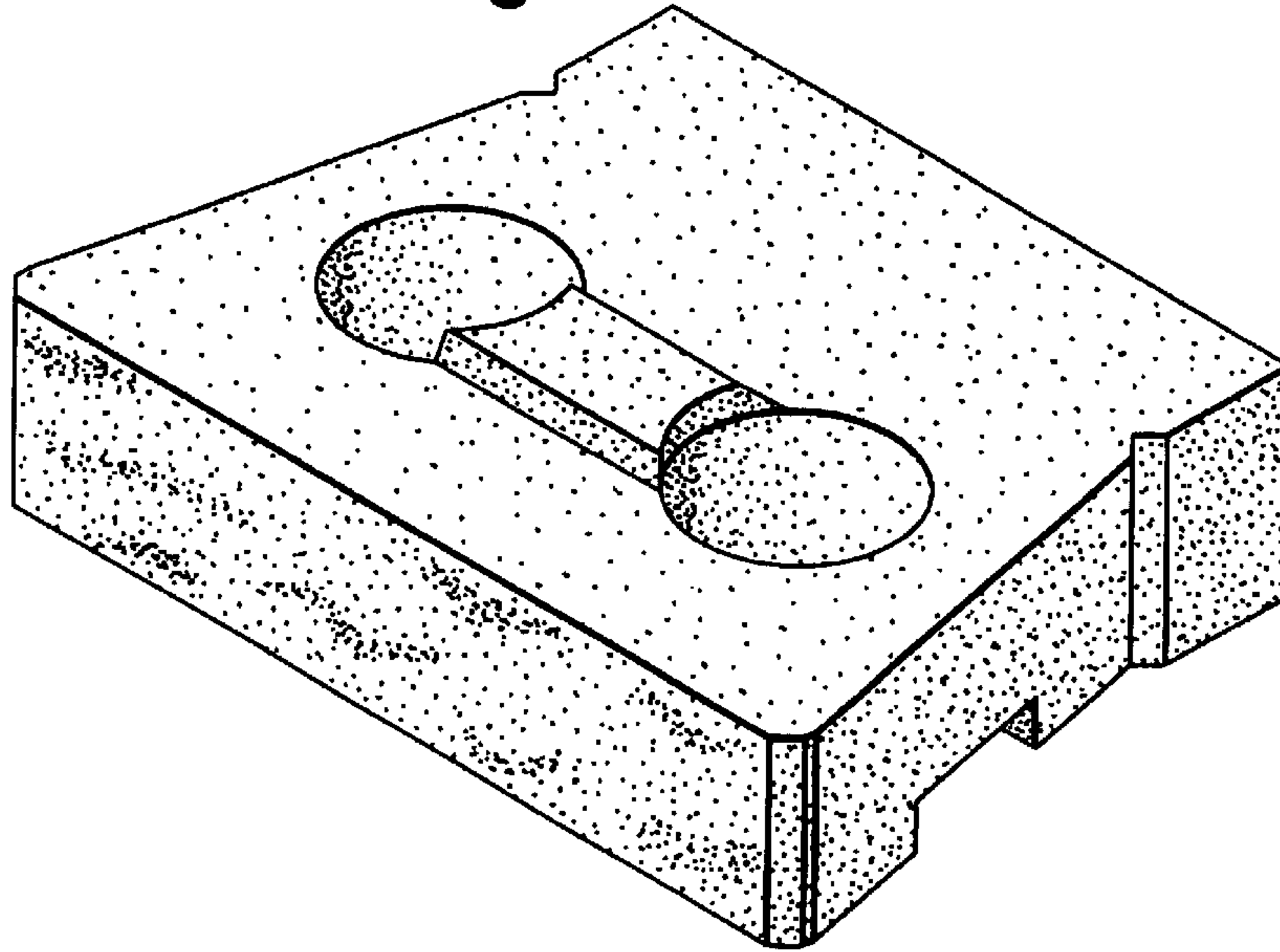
FIG. 5 is a top view thereof; and,

FIG. 6 is a side view thereof.

**1 Claim, 2 Drawing Sheets**



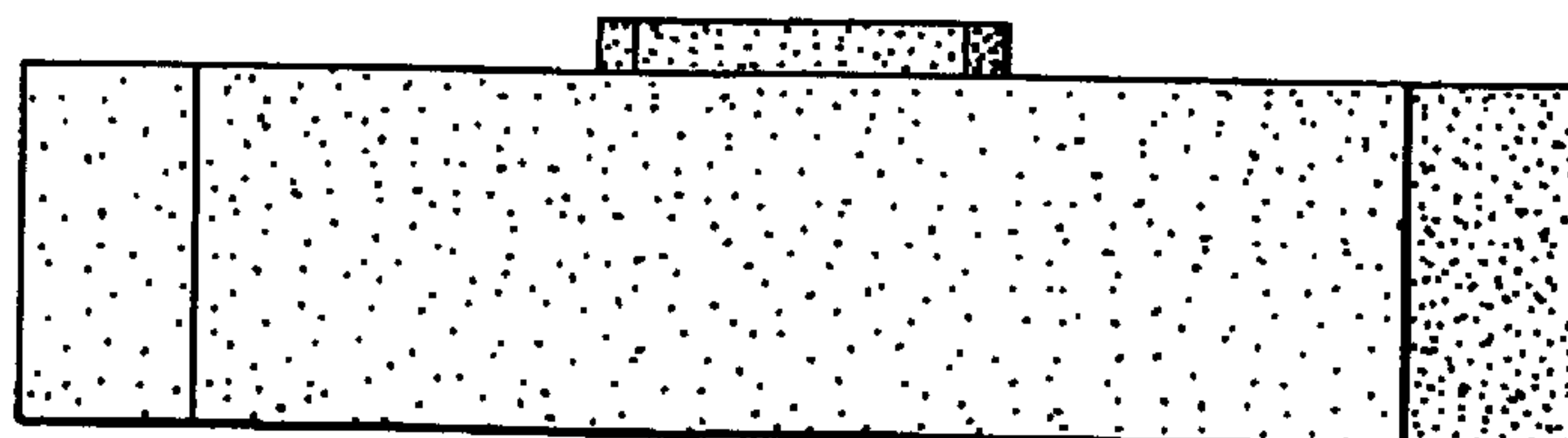
**Fig. 1**



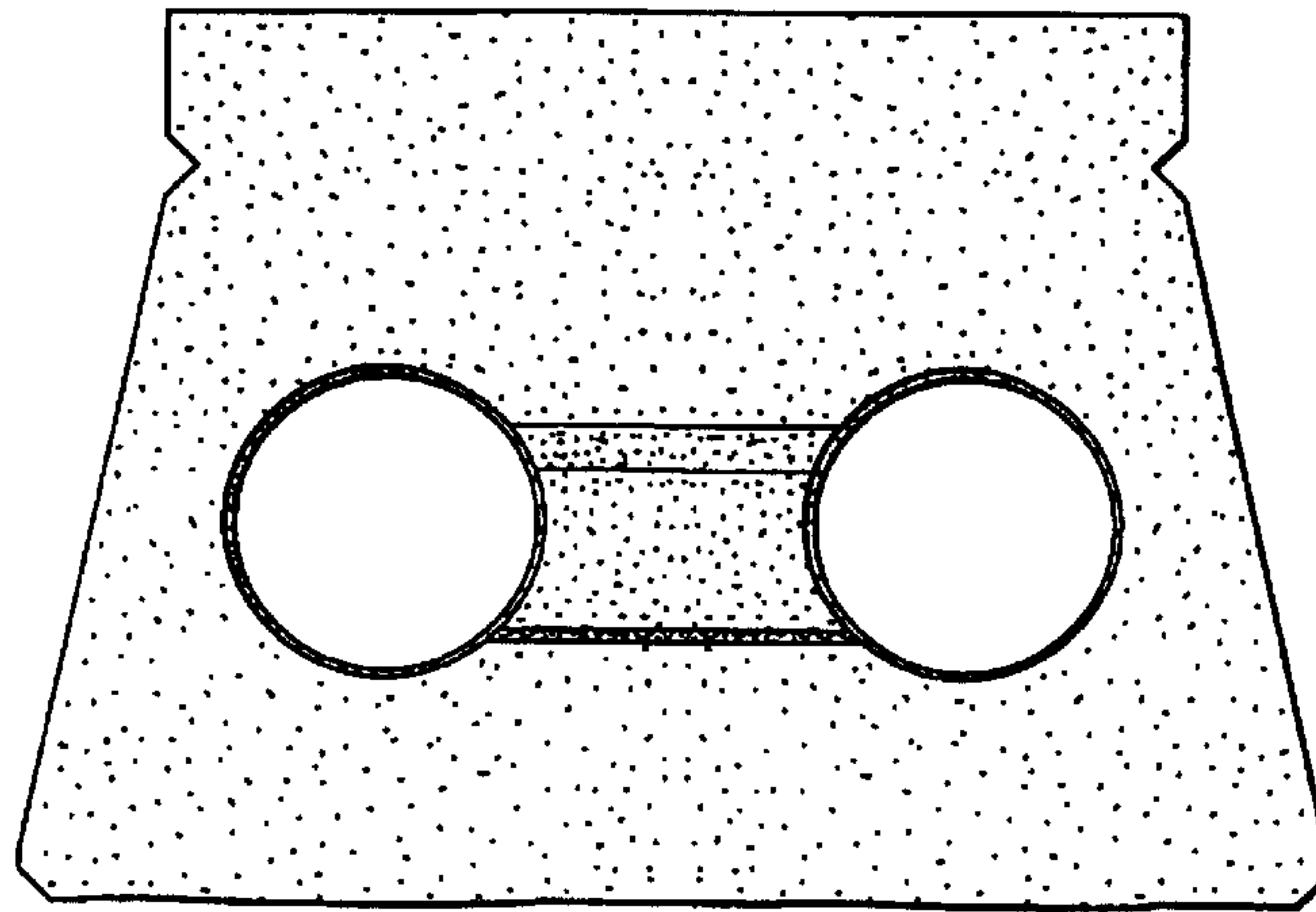
**Fig. 2**



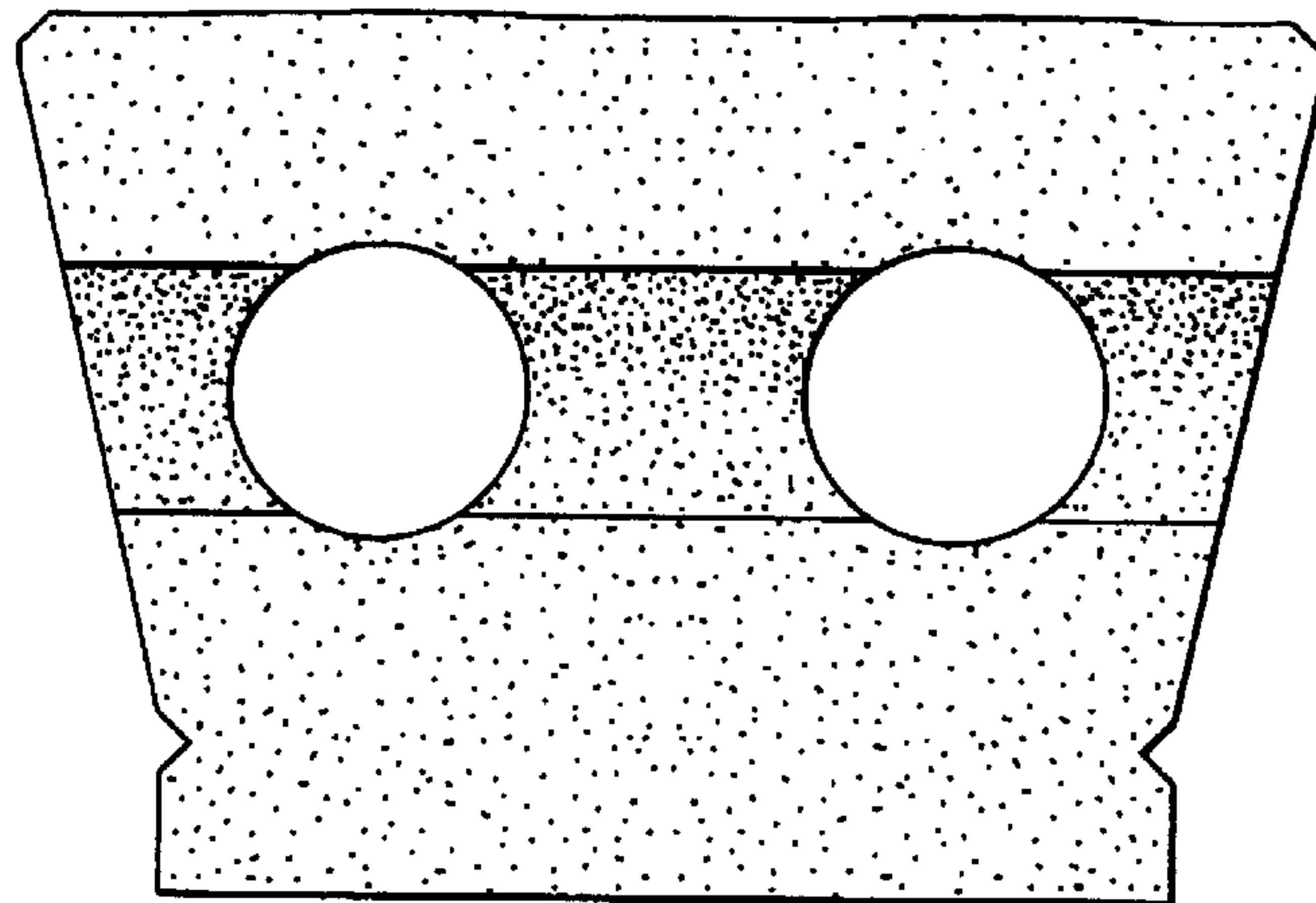
**Fig. 3**



**Fig. 4**



**Fig. 5**



**Fig. 6**

