



US00D539432S

(12) **United States Design Patent**
Nan

(10) **Patent No.:** **US D539,432 S**

(45) **Date of Patent:** **** Mar. 27, 2007**

(54) **VIBRATOR**

(75) **Inventor:** **Simon Siu Man Nan**, Richmond Hill
(CA)

(73) **Assignee:** **Nanma Manufacturing Co., Ltd.**,
Hong Kong (HK)

(**) **Term:** **14 Years**

(21) **Appl. No.:** **29/239,013**

(22) **Filed:** **Sep. 23, 2005**

(51) **LOC (8) Cl.** **28-03**

(52) **U.S. Cl.** **D24/215**

(58) **Field of Classification Search** D24/200,
D24/211, 214, 215; 601/118, 125, 126, 134-138,
601/46; 600/38

See application file for complete search history.

(56) **References Cited**

U.S. PATENT DOCUMENTS

D210,922 S	*	4/1968	Tavel	D24/214
D234,724 S	*	4/1975	Tavel	D24/214
D376,650 S		12/1996	Kain		
D384,158 S		9/1997	Kain		
D399,312 S	*	10/1998	Albertson	D24/200

D426,311 S	*	6/2000	Horowitz et al.	D24/215
D446,584 S	*	8/2001	Chen	D24/211
D495,422 S	*	8/2004	Chen	D24/211
D499,811 S		12/2004	Nan		
D510,628 S		10/2005	Talbot et al.		

* cited by examiner

Primary Examiner—Ian Simmons

Assistant Examiner—Melanie Levy

(74) *Attorney, Agent, or Firm*—Greensfelder, Hemker &
Gale, P.C.; Peter S. Gilster

(57) **CLAIM**

The ornamental design for a vibrator, as shown and described.

DESCRIPTION

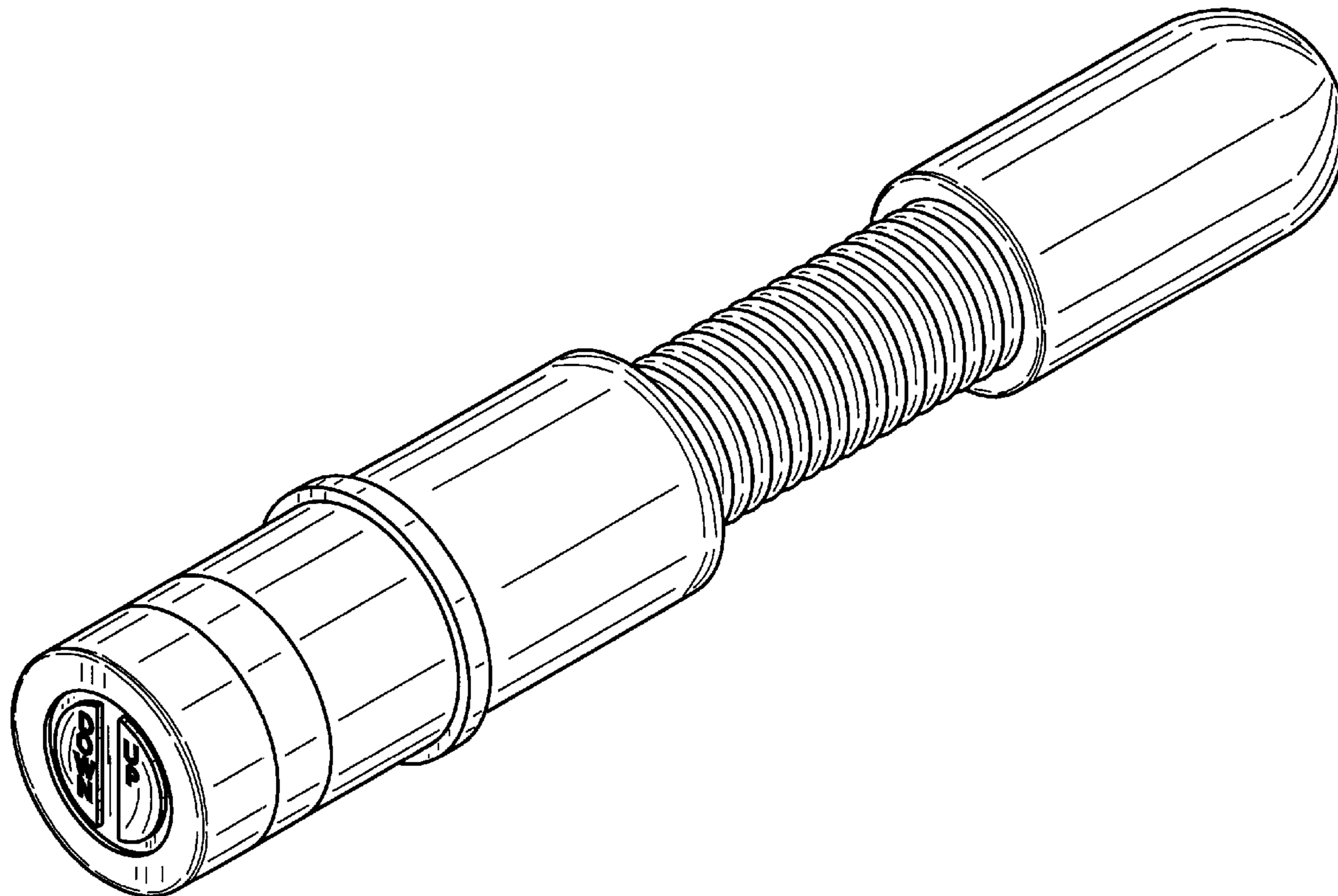
FIG. 1 is a perspective view of the vibrator, showing my new design.

FIG. 2 is a side view of the design shown in FIG. 1.

FIG. 3 is an opposing side view thereof, rotated 180° from that shown in FIG. 2.

FIG. 4 is an end view of the vibrator shown in FIG. 1; and, FIG. 5 is an opposing end view thereof, rotated 180° from that shown in FIG. 4.

1 Claim, 2 Drawing Sheets



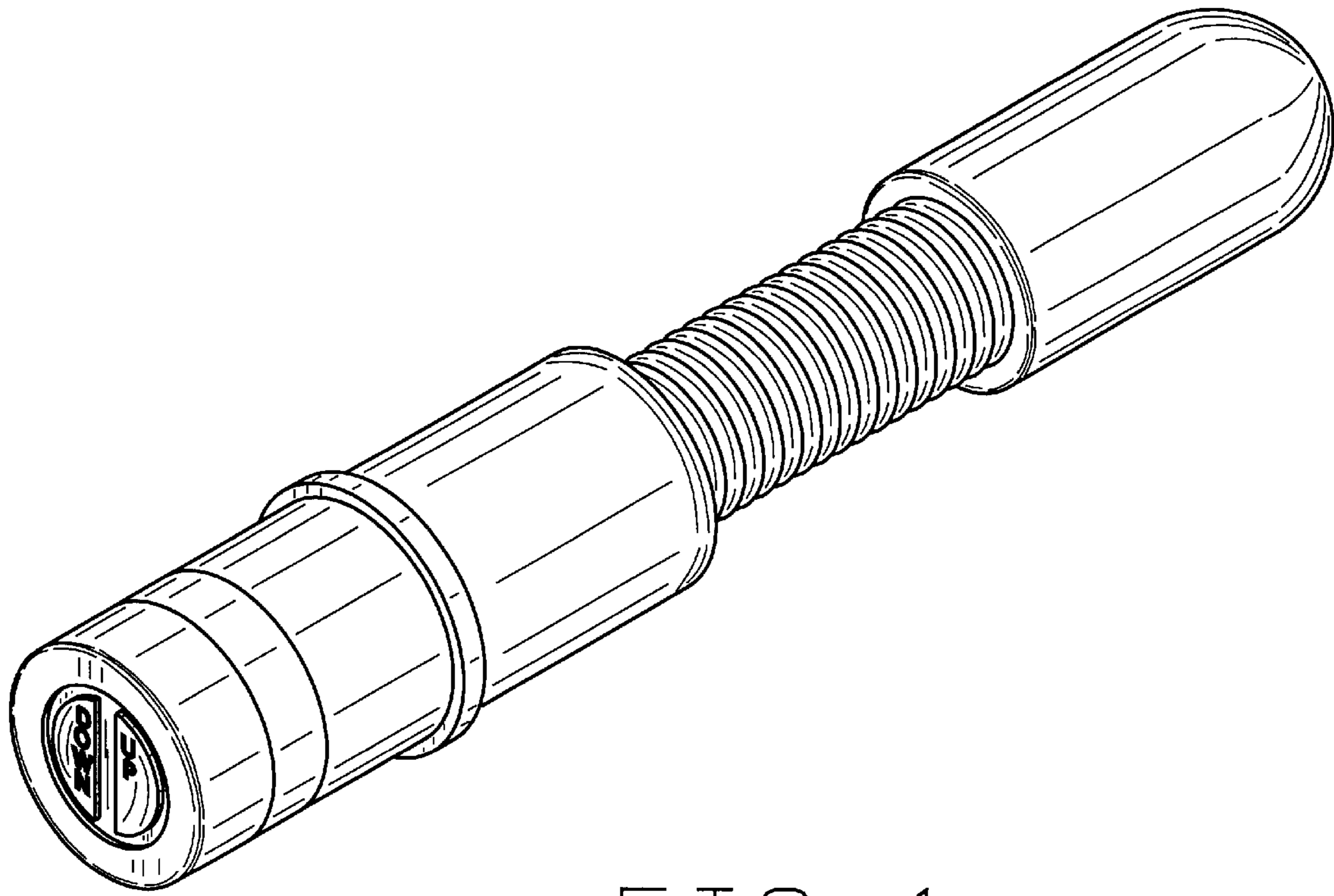


FIG. 1

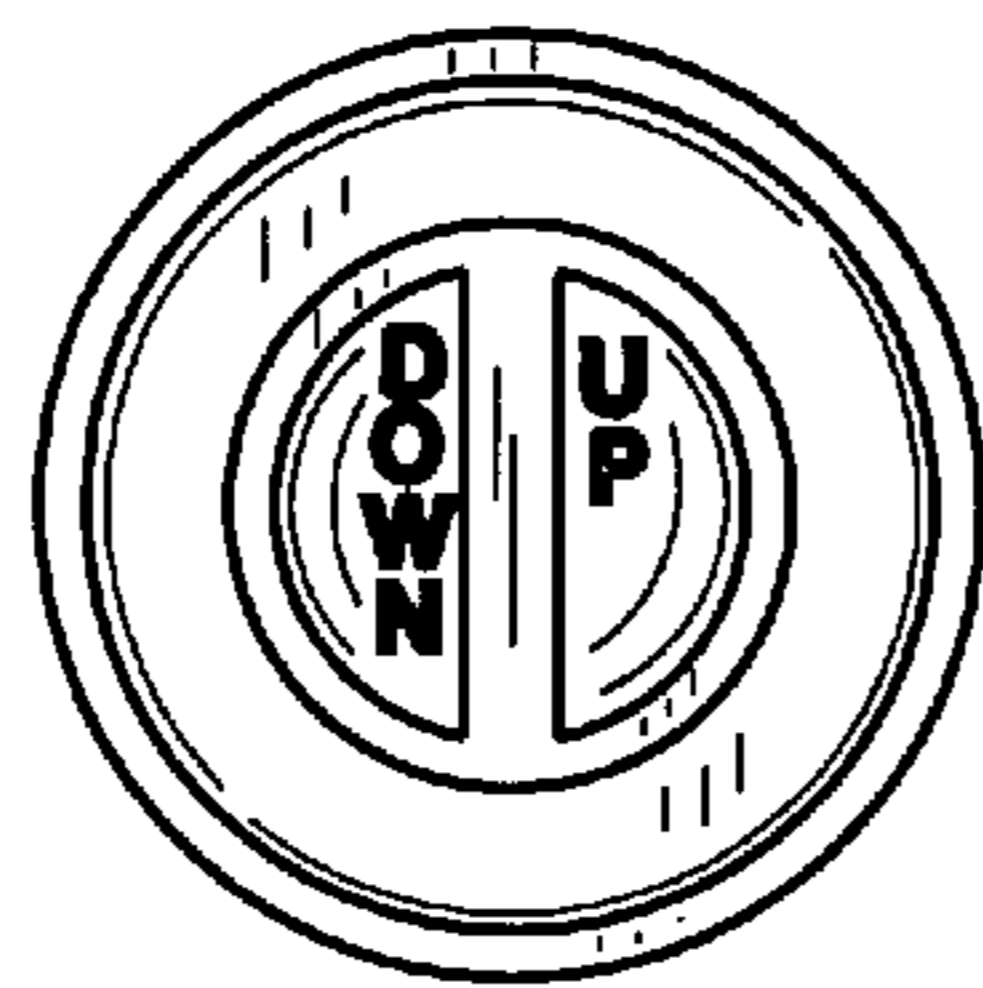


FIG. 4

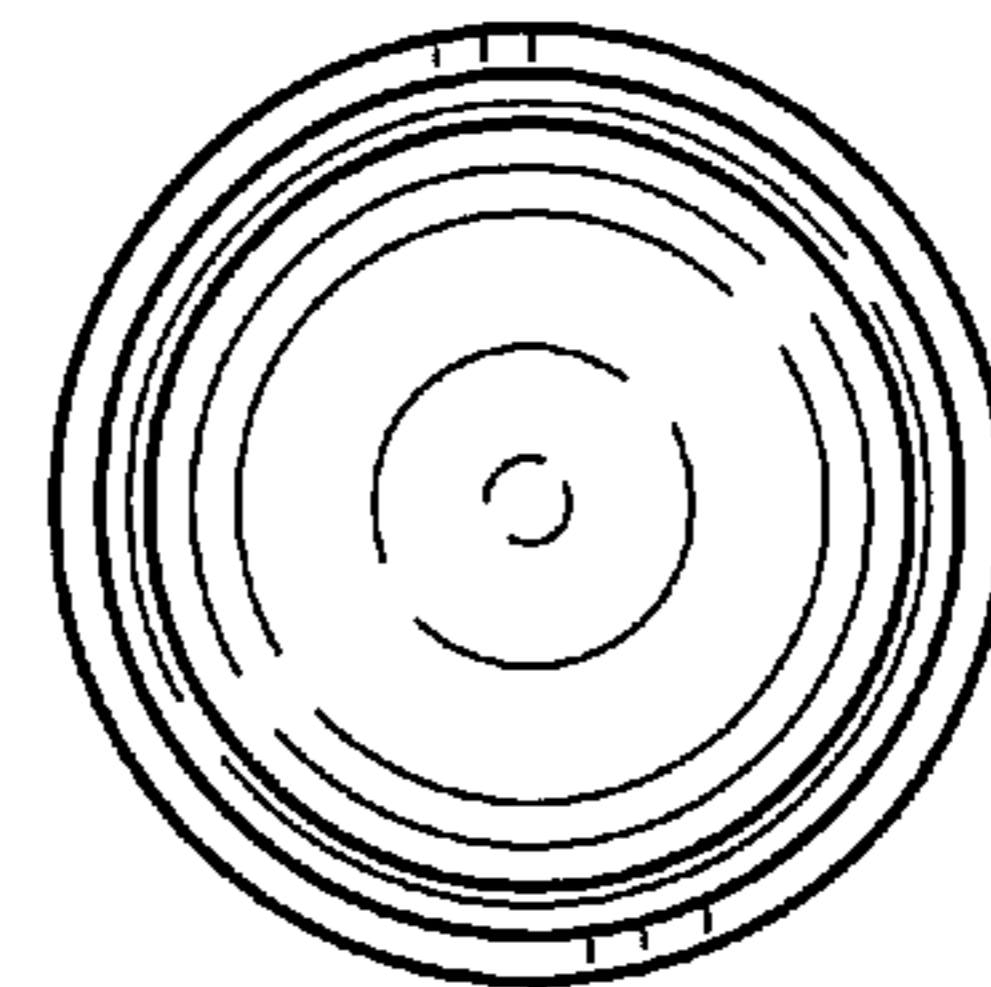


FIG. 5

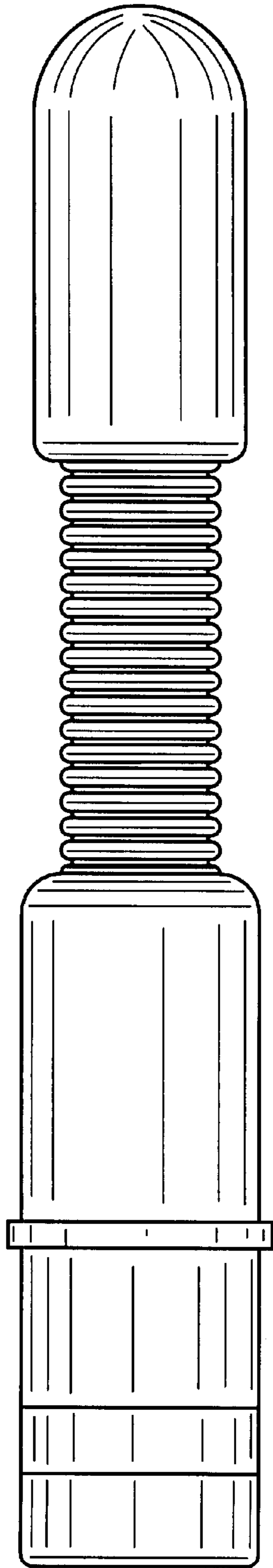


FIG. 2

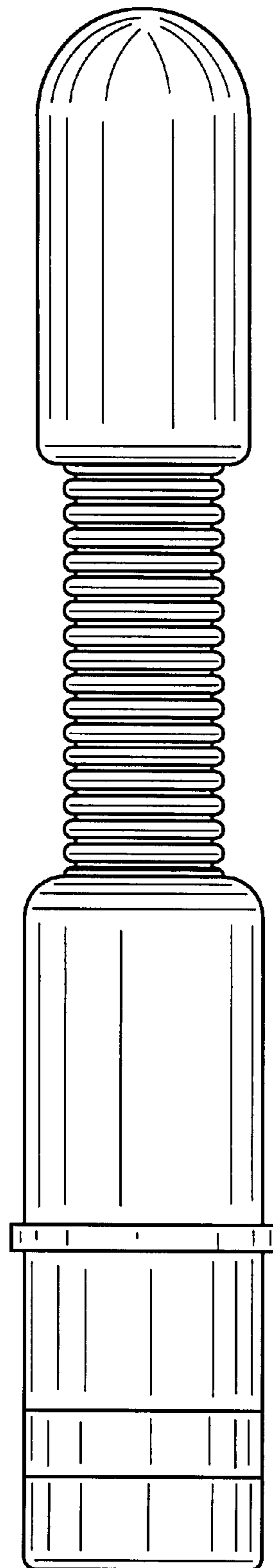


FIG. 3