



US00D539428S

(12) **United States Design Patent**
Nakanishi

(10) **Patent No.:** **US D539,428 S**

(45) **Date of Patent:** **** Mar. 27, 2007**

(54) **CONTROLLER FOR INSTRUMENT FOR MEASURING ROOT CANAL LENGTH**

(75) Inventor: **Eiichi Nakanishi**, Tochigi-ken (JP)

(73) Assignee: **Nakanishi, Inc.**, Kanuma (JP)

(**) Term: **14 Years**

(21) Appl. No.: **29/223,029**

(22) Filed: **Feb. 9, 2005**

(51) **LOC (8) Cl.** **24-04**

(52) **U.S. Cl.** **D24/177**

(58) **Field of Classification Search** D24/176,
D24/133, 177, 107, 180; D10/46, 70; 433/54–58,
433/60–61, 224; 600/547; D13/162, 184;
D14/240, 214

See application file for complete search history.

(56) **References Cited**

U.S. PATENT DOCUMENTS

4,193,408	A	*	3/1980	Fujino	600/547
D318,113	S	*	7/1991	Moutafis et al.	D24/176
5,295,833	A	*	3/1994	Chihiro et al.	433/224
D427,155	S	*	6/2000	Pawley et al.	D13/162
D428,152	S	*	7/2000	Suh et al.	D24/176
D435,539	S	*	12/2000	Tsuge	D14/214
D457,143	S	*	5/2002	Inoue	D13/162
D457,144	S	*	5/2002	Suen	D13/162

6,482,008	B2	*	11/2002	Perdomini et al.	433/224
D473,311	S	*	4/2003	Sugino	D24/176
D487,261	S	*	3/2004	Cors et al.	D14/240
D513,497	S	*	1/2006	Whitehouse	D13/162

* cited by examiner

Primary Examiner—Charles A. Rademaker

(74) *Attorney, Agent, or Firm*—Hahn & Voight PLLC

(57) **CLAIM**

The ornamental design for a controller for instrument for measuring root canal length, as shown and described.

DESCRIPTION

FIG. 1 is a front elevation of a controller for instrument for measuring root canal length showing my new design;
 FIG. 2 is a rear elevation thereof;
 FIG. 3 is a right side elevation thereof;
 FIG. 4 is a left side elevation thereof;
 FIG. 5 is a top plan view thereof;
 FIG. 6 is a bottom plan view thereof;
 FIG. 7 is a cross-sectional view thereof taken along line A—A in FIG. 1 with portions of the interior structure being omitted for ease of illustration;
 FIG. 8 is another front elevation thereof showing the screen area in an operational condition;
 FIG. 9 is a top plan view thereof; and,
 FIG. 10 is a front perspective thereof.

1 Claim, 5 Drawing Sheets

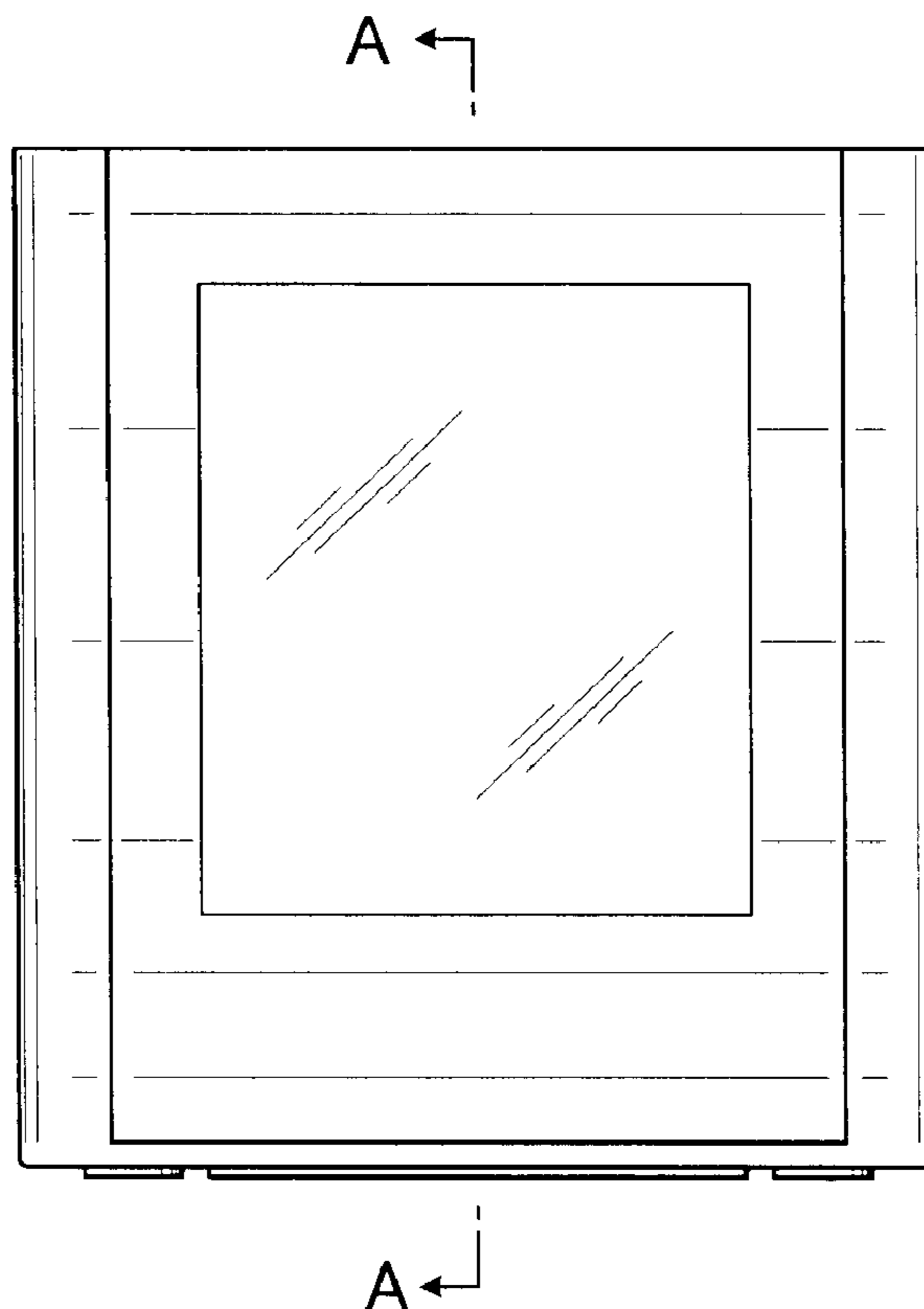


FIG. 1

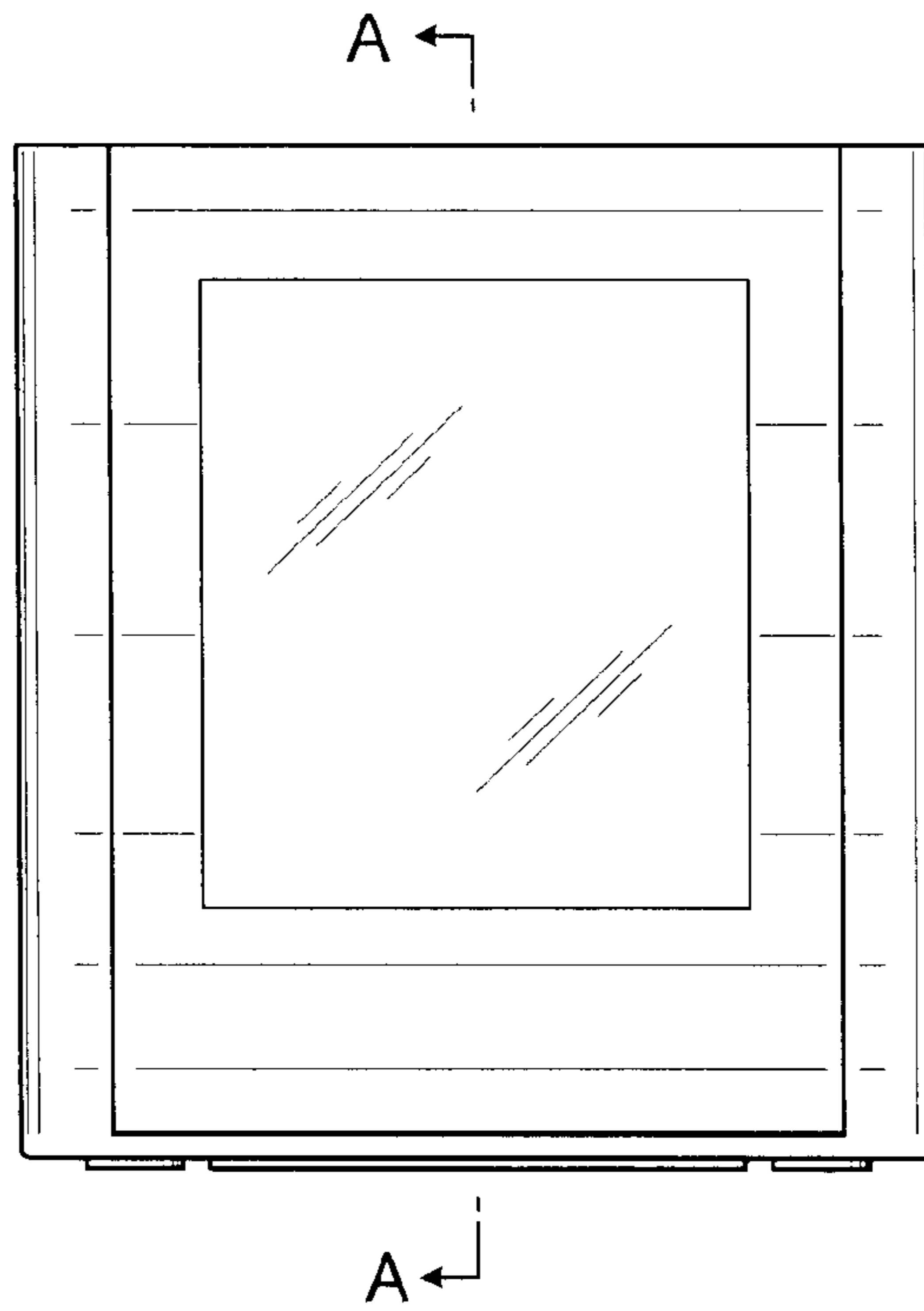


FIG. 2

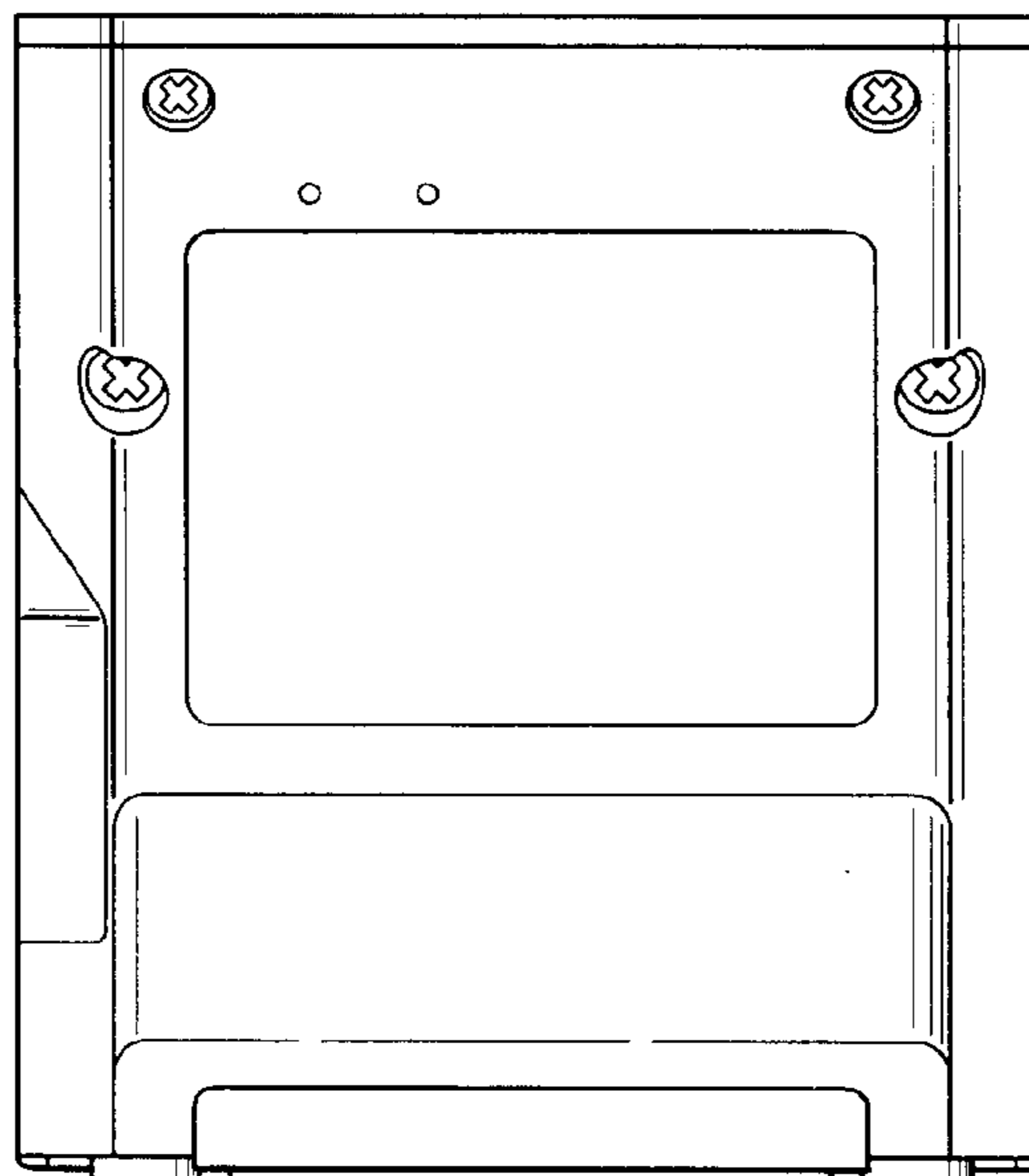


FIG. 3

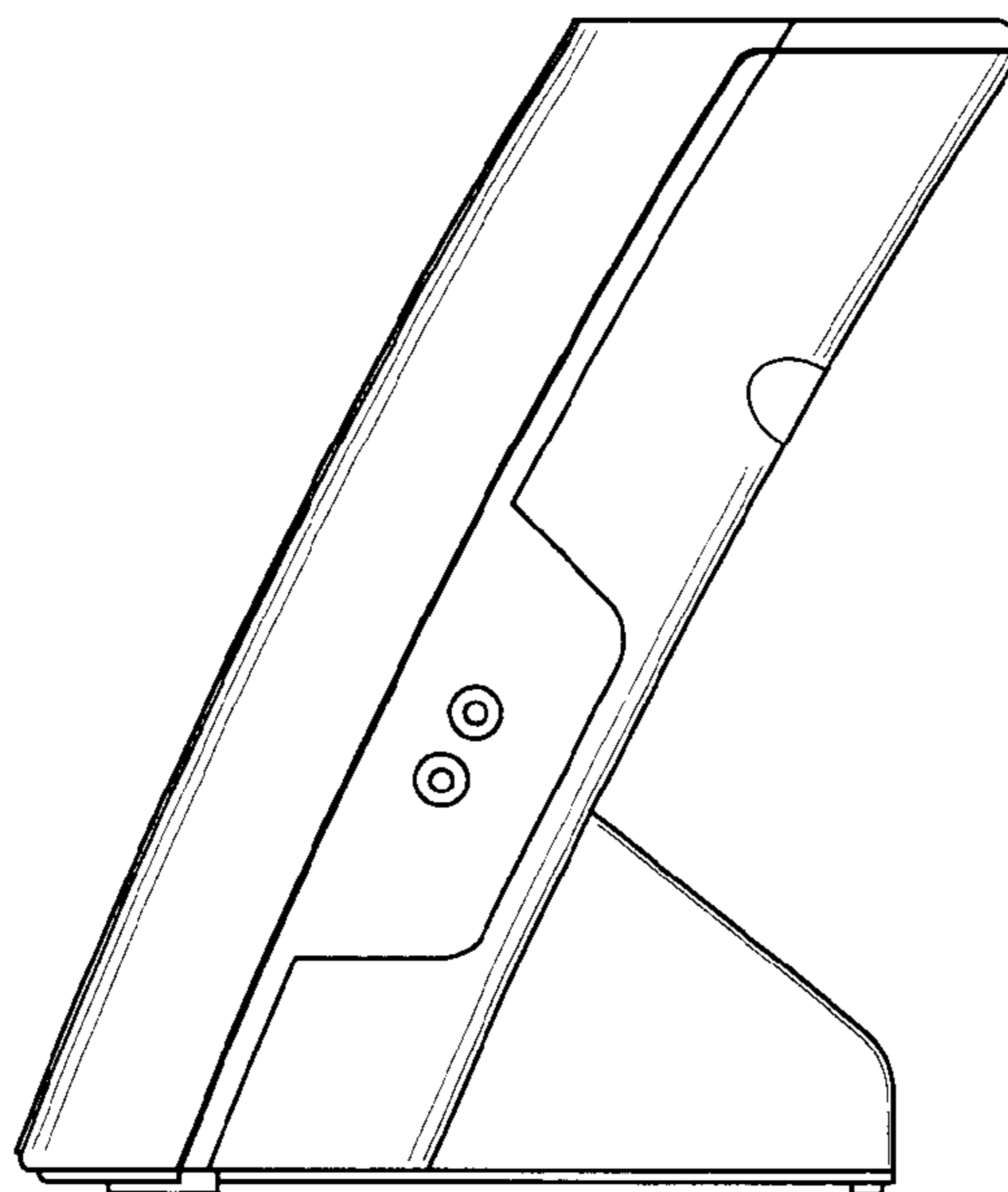


FIG. 4

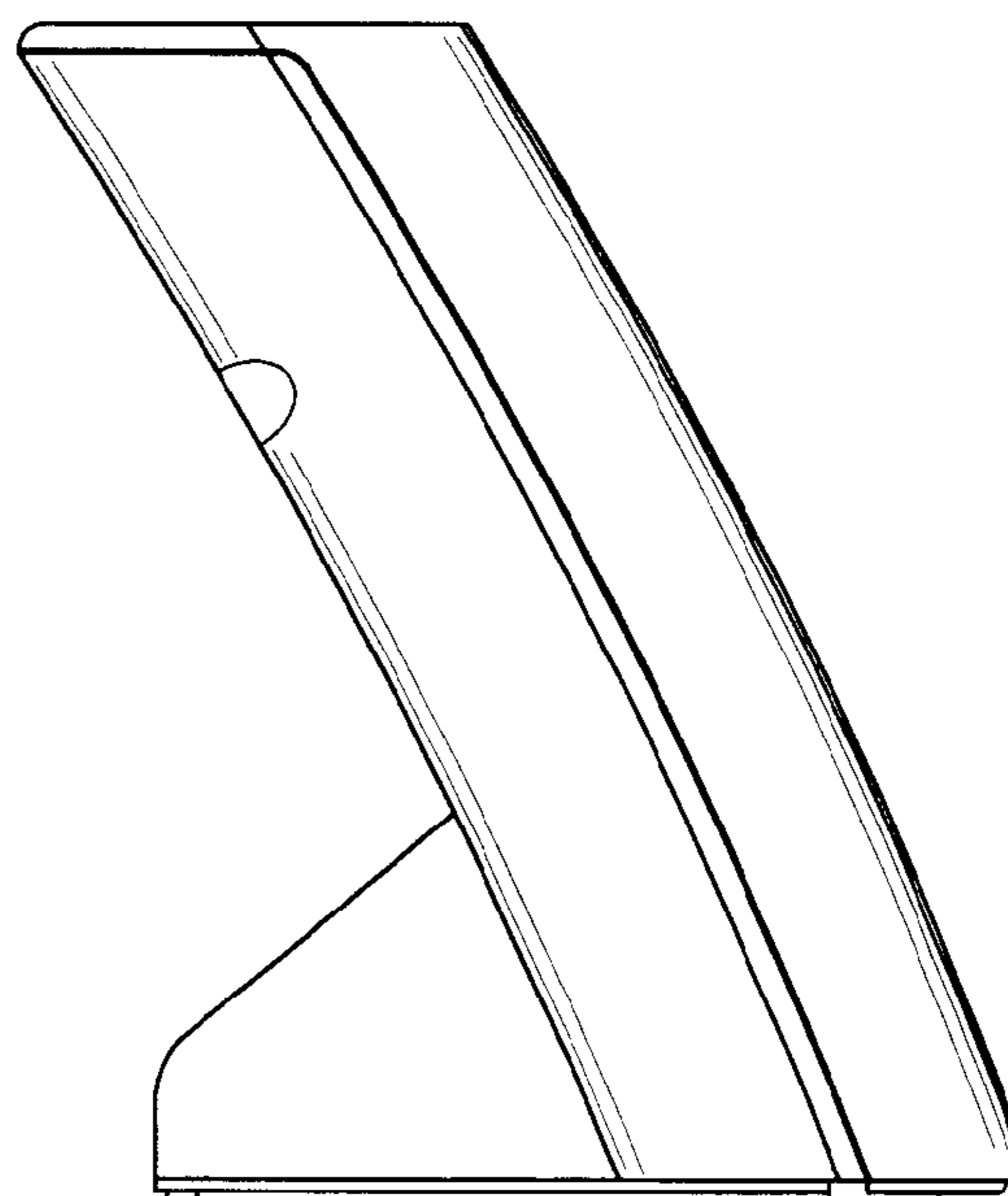


FIG. 5

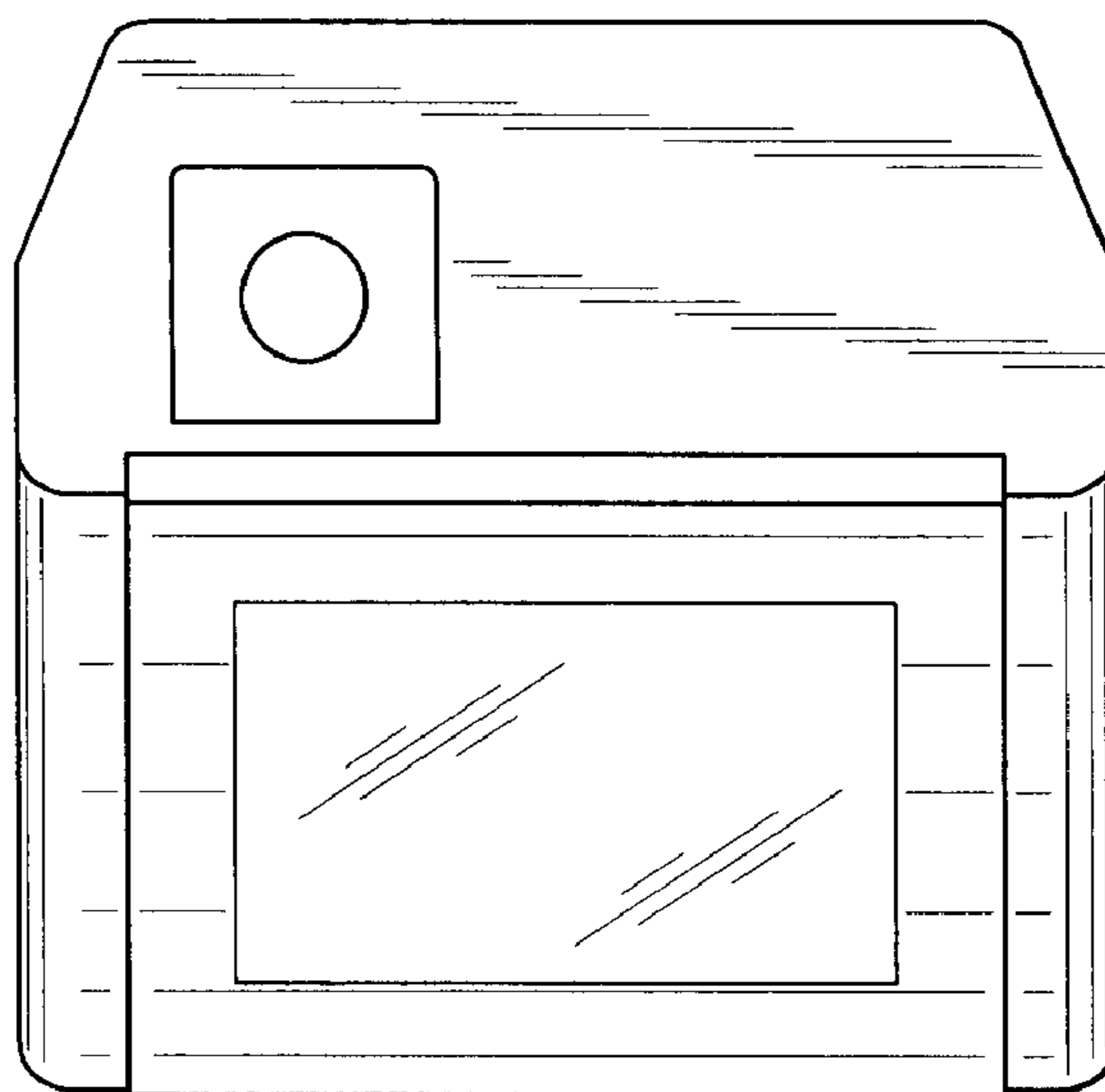


FIG. 6

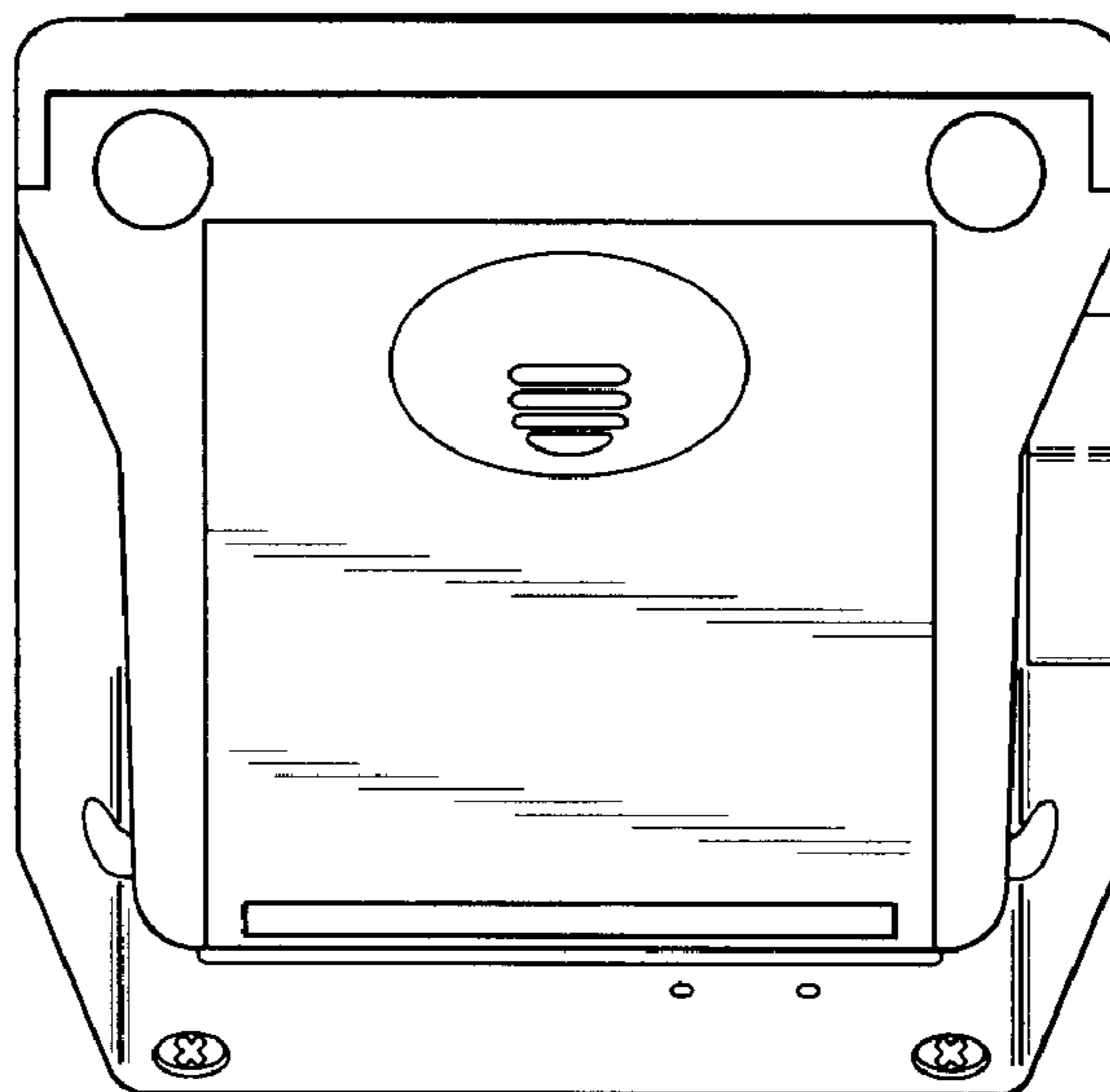


FIG. 7

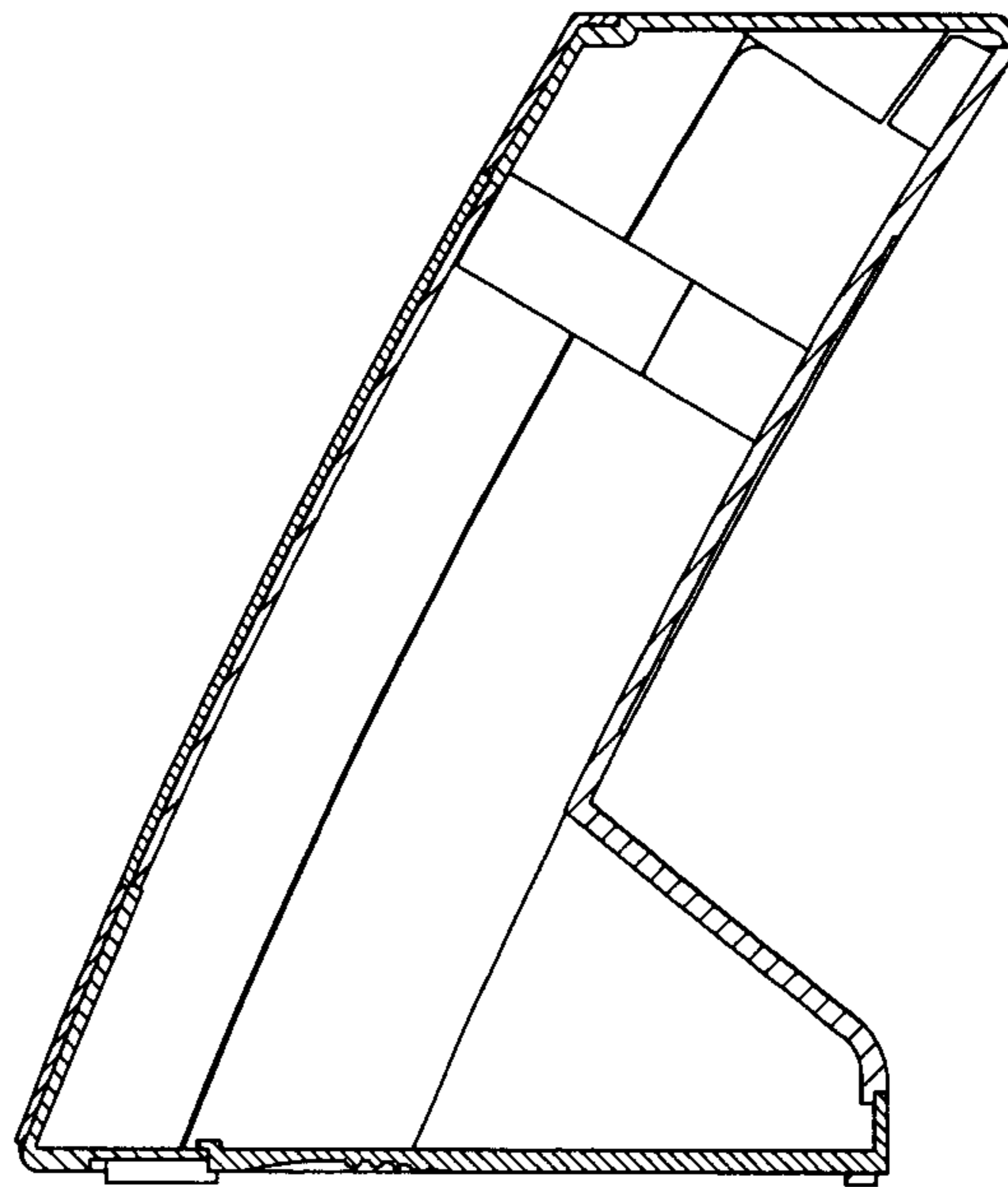


FIG. 8

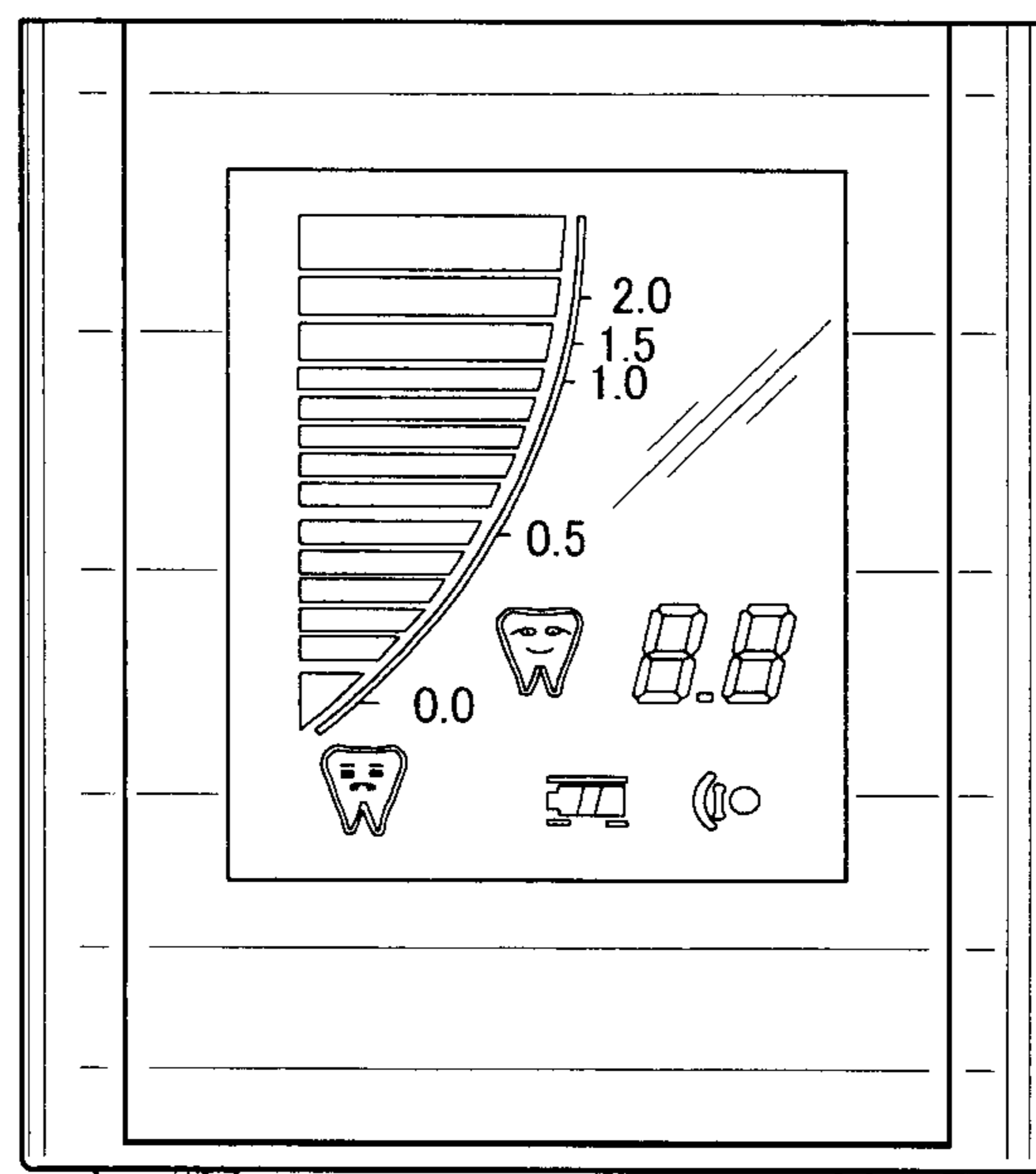


FIG. 9

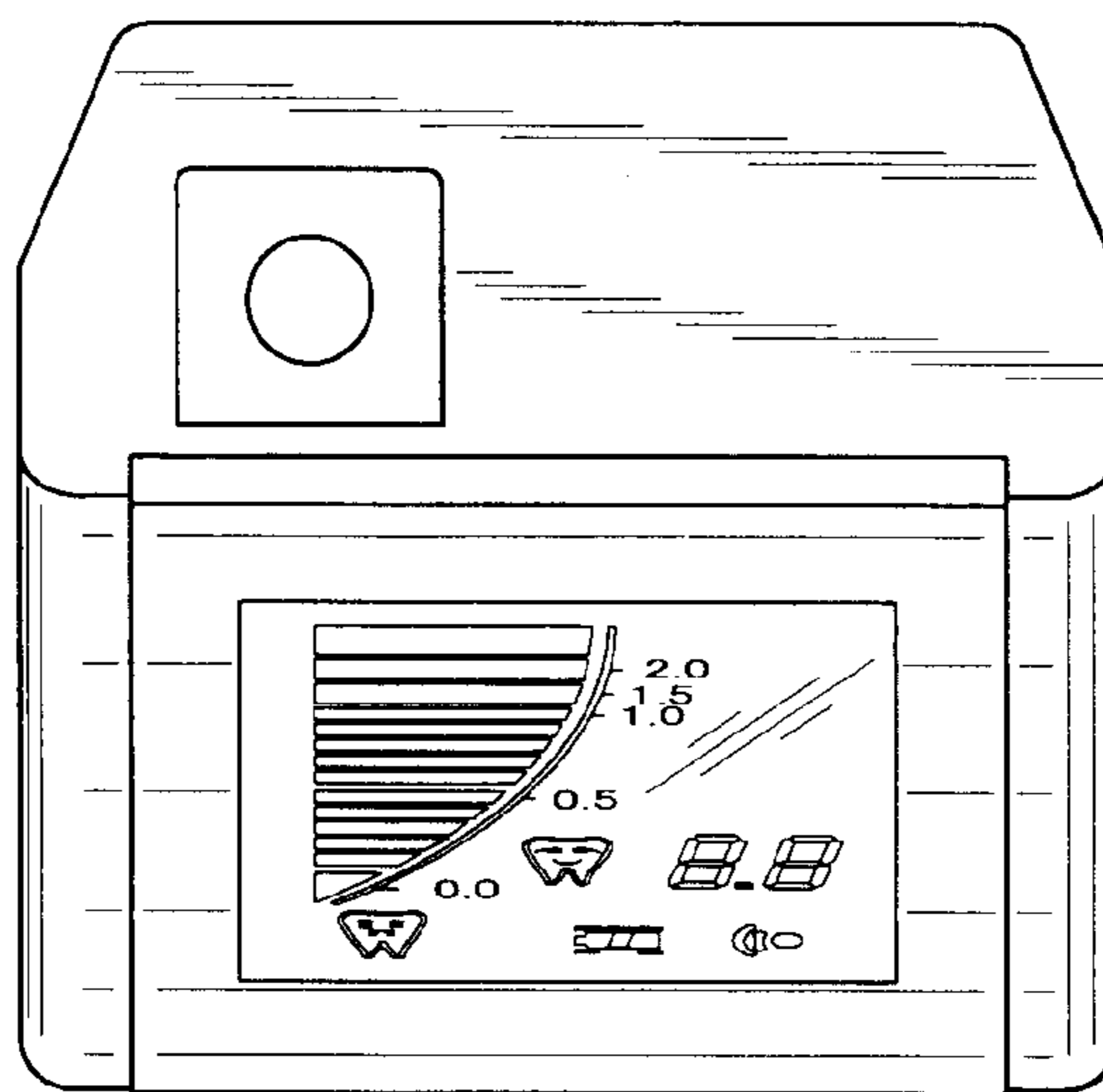


FIG. 10

