



US00D539422S

(12) **United States Design Patent**
Maalouf

(10) **Patent No.:** **US D539,422 S**

(45) **Date of Patent:** **** Mar. 27, 2007**

(54) **THONG DIAPER**

(76) **Inventor:** **Mary Maalouf**, 440 Lenox Rd. #6H,
Brooklyn, NY (US) 11203

(**) **Term:** **14 Years**

(21) **Appl. No.:** **29/221,763**

(22) **Filed:** **Jan. 19, 2005**

(51) **LOC (8) Cl.** **24-04**

(52) **U.S. Cl.** **D24/125**

(58) **Field of Classification Search** D24/124-126;
D2/1, 67, 426; 604/392; 372/99; 128/846,
128/863; 297/284.5

See application file for complete search history.

(56) **References Cited**

U.S. PATENT DOCUMENTS

3,170,461	A	*	2/1965	Watts, Jr.	128/863
3,882,870	A	*	5/1975	Hathaway	604/392
4,560,380	A	*	12/1985	Tharel	604/385.19
4,904,249	A	*	2/1990	Miller et al.	604/378
4,955,876	A	*	9/1990	Millner	604/385.25

5,347,657	A	*	9/1994	Unsell	2/67
5,547,251	A	*	8/1996	Axelson	297/284.5
6,038,706	A	*	3/2000	Seiler	2/426
6,911,024	B2	*	6/2005	Kusibojoska et al.	604/392

* cited by examiner

Primary Examiner—Louis S. Zarfes

Assistant Examiner—Michelle Wilson

(74) *Attorney, Agent, or Firm*—Goldstein Law Offices, P.C.

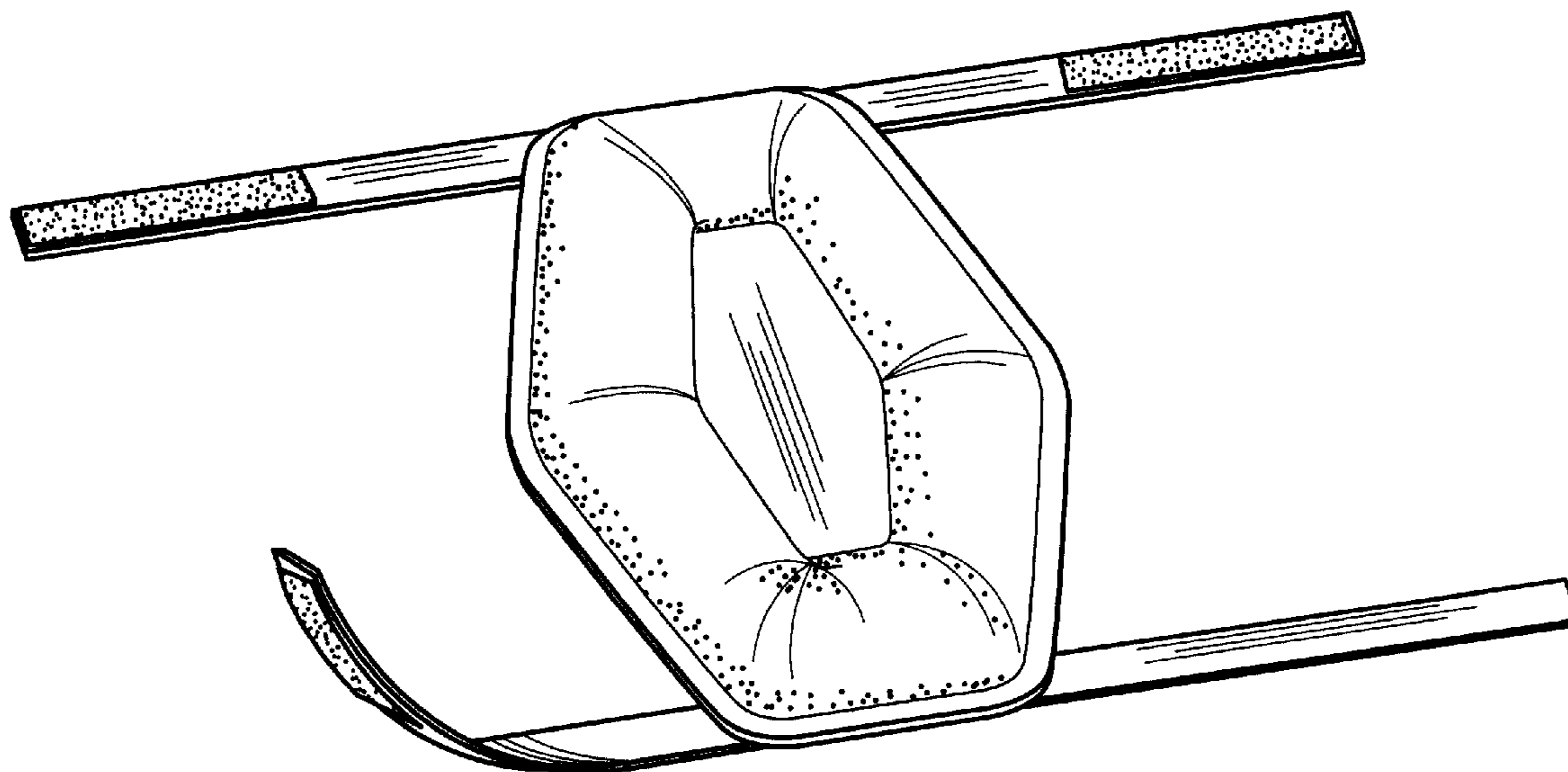
(57) **CLAIM**

The ornamental design for a thong diaper, as shown and described.

DESCRIPTION

FIG. 1 is a perspective view of the thong diaper in full lines. FIG. 2 is a top plan view of the thong diaper. FIG. 3 is a bottom plan view thereof. FIG. 4 is a left side elevational view thereof. FIG. 5 is a right side elevational view thereof. FIG. 6 is a front elevational view thereof; and, FIG. 7 is a rear elevational view thereof.

1 Claim, 3 Drawing Sheets



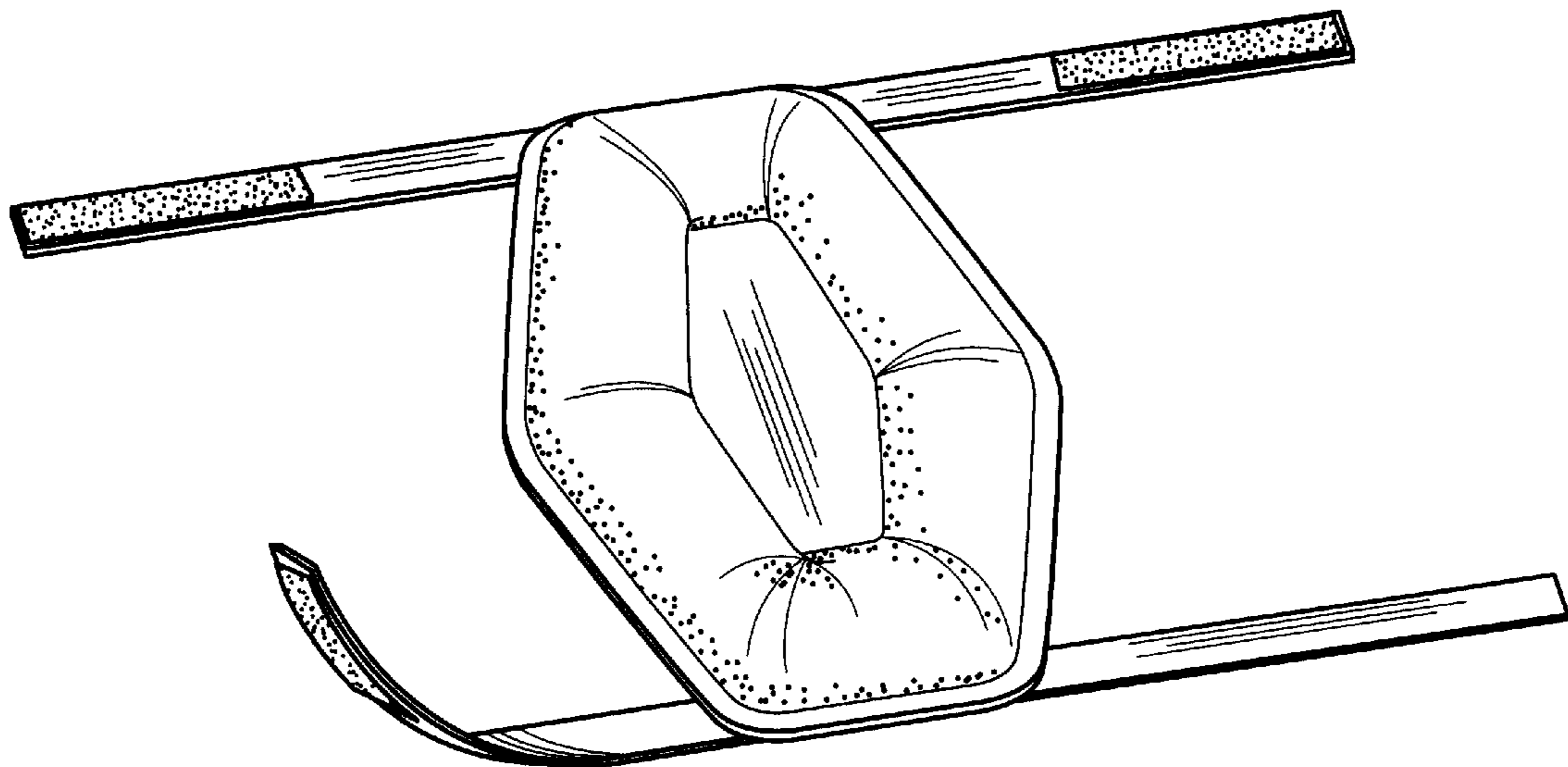


FIG. 1

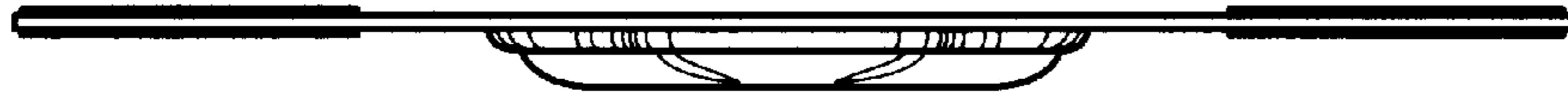


FIG. 2

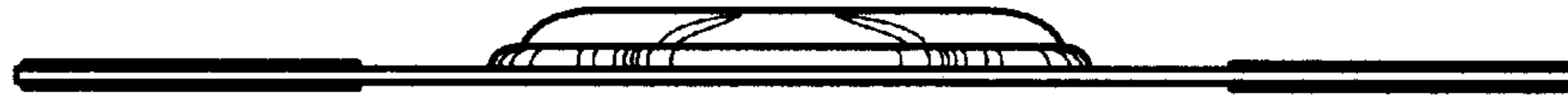


FIG. 3



FIG. 4



FIG. 5

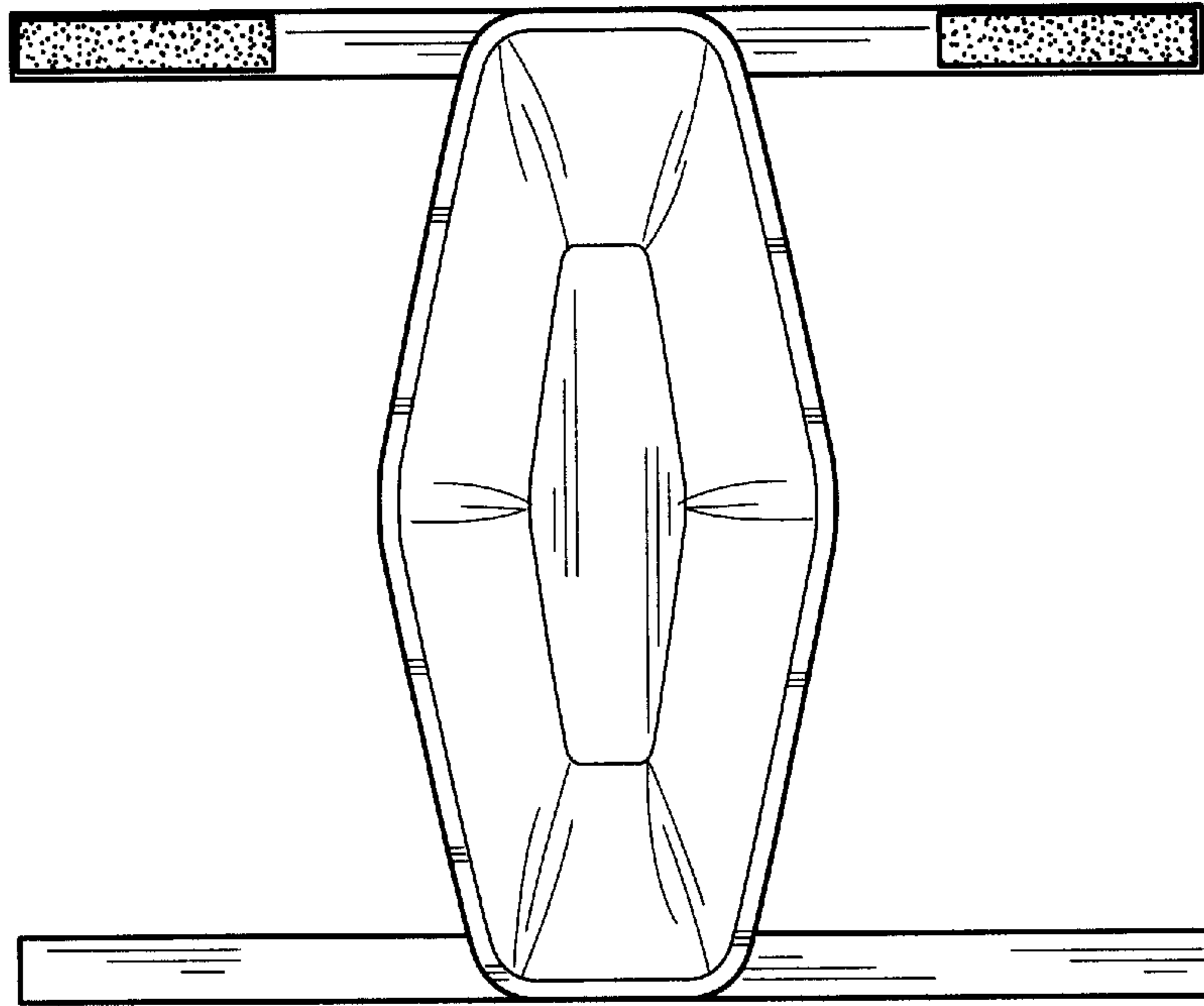


FIG. 6

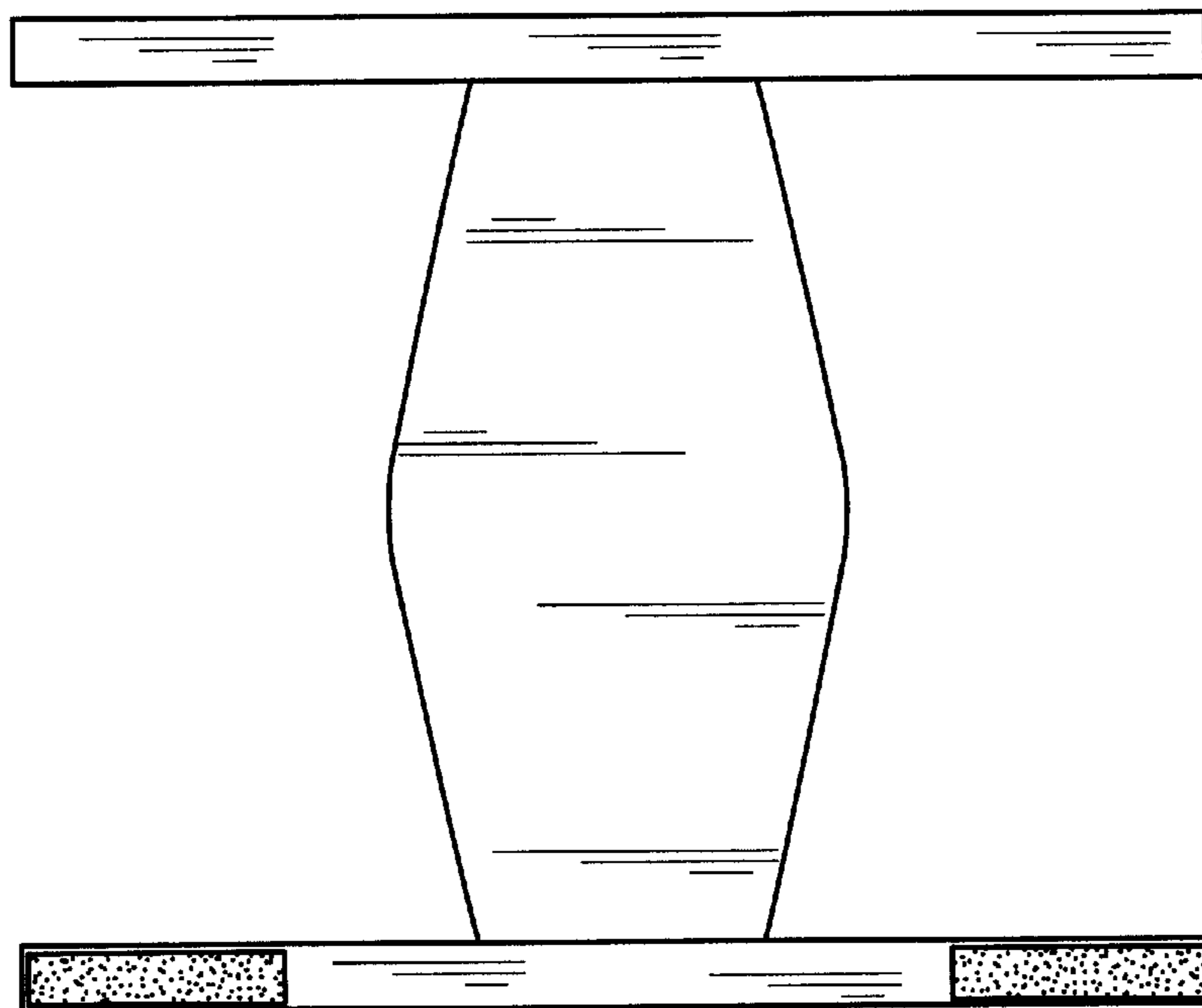


FIG. 7